



US00D382589S

# United States Patent [19]

Girard et al.

[11] Patent Number: Des. 382,589

[45] Date of Patent: \*\*Aug. 19, 1997

## [54] ADJUSTABLE DISPLAY PANEL FOR ELECTROPHOTOGRAPHIC PRINTERS

[75] Inventors: **James J. Girard; Mike H. Okamura**, both of Boise, Id.

[73] Assignee: **Hewlett-Packard Company**, Palo Alto, Calif.

[\*\*] Term: **14 Years**

[21] Appl. No.: **50,671**

[22] Filed: **Feb. 21, 1996**

[51] LOC (6) Cl. .... **18-02**

[52] U.S. Cl. .... **D18/56**

[58] Field of Search ..... D18/18, 56, 40, D18/41, 54, 4; 355/271; D14/106, 113, 114

## [56] References Cited

### U.S. PATENT DOCUMENTS

D. 287,969	1/1987	Kusanagi	.....	D14/106
D. 290,702	7/1987	Stern et al.	.....	D14/113
D. 337,104	7/1993	Orchard	.....	D14/113
D. 346,594	5/1994	Skaggs et al.	.....	D14/113
D. 359,952	7/1995	Cox et al.	.....	D18/4 X
D. 360,196	7/1995	Cox et al.	.....	D18/4
D. 363,467	10/1995	Takahashi	.....	D14/113 X
5,100,098	3/1992	Hawkins	.....	D14/113 X

Primary Examiner—Louis S. Zarfaz  
Assistant Examiner—Frank Martinez

## [57] CLAIM

The ornamental design for an adjustable display panel for electrophotographic printers, as shown and described.

## DESCRIPTION

FIG. 1 is an isometric view from the front right side, showing a printer cabinet with a display unit, showing the inventive design of the display unit in an upright position. The broken line showing of a printer is for illustrative purposes only and forms no part of the claimed design;

FIG. 2 is an isometric view from the front right side of the display unit in an upright position. The broken line showing of a printer is for illustrative purposes only and forms no part of the claimed design;

FIG. 3 is an isometric view from the rear left side of the display unit in an upright position; and,

FIG. 4 is an isometric view from the rear right side of the display unit in a folded down position;

FIG. 5 is a side view from the left side of the display unit in an upright position;

FIG. 6 is a side view from the right side of the display unit in an upright position;

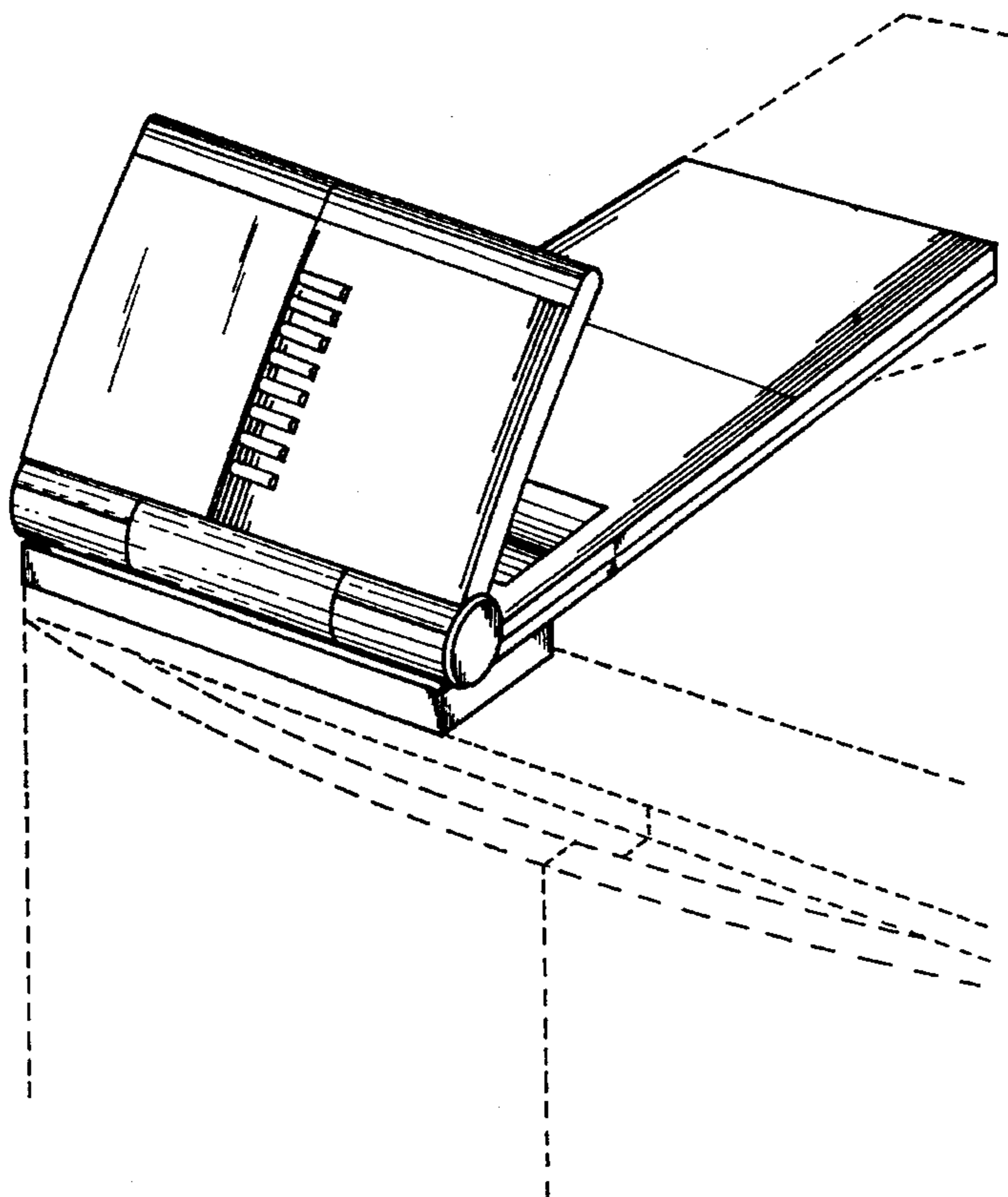
FIG. 7 is a plan view of the display unit in a folded position;

FIG. 8 is a front view of the display unit in an upright position; and,

FIG. 9 is a rear view of the display unit in an upright position.

The drawings in FIGS. 3 and 4 are broken for ease of illustration.

1 Claim, 8 Drawing Sheets



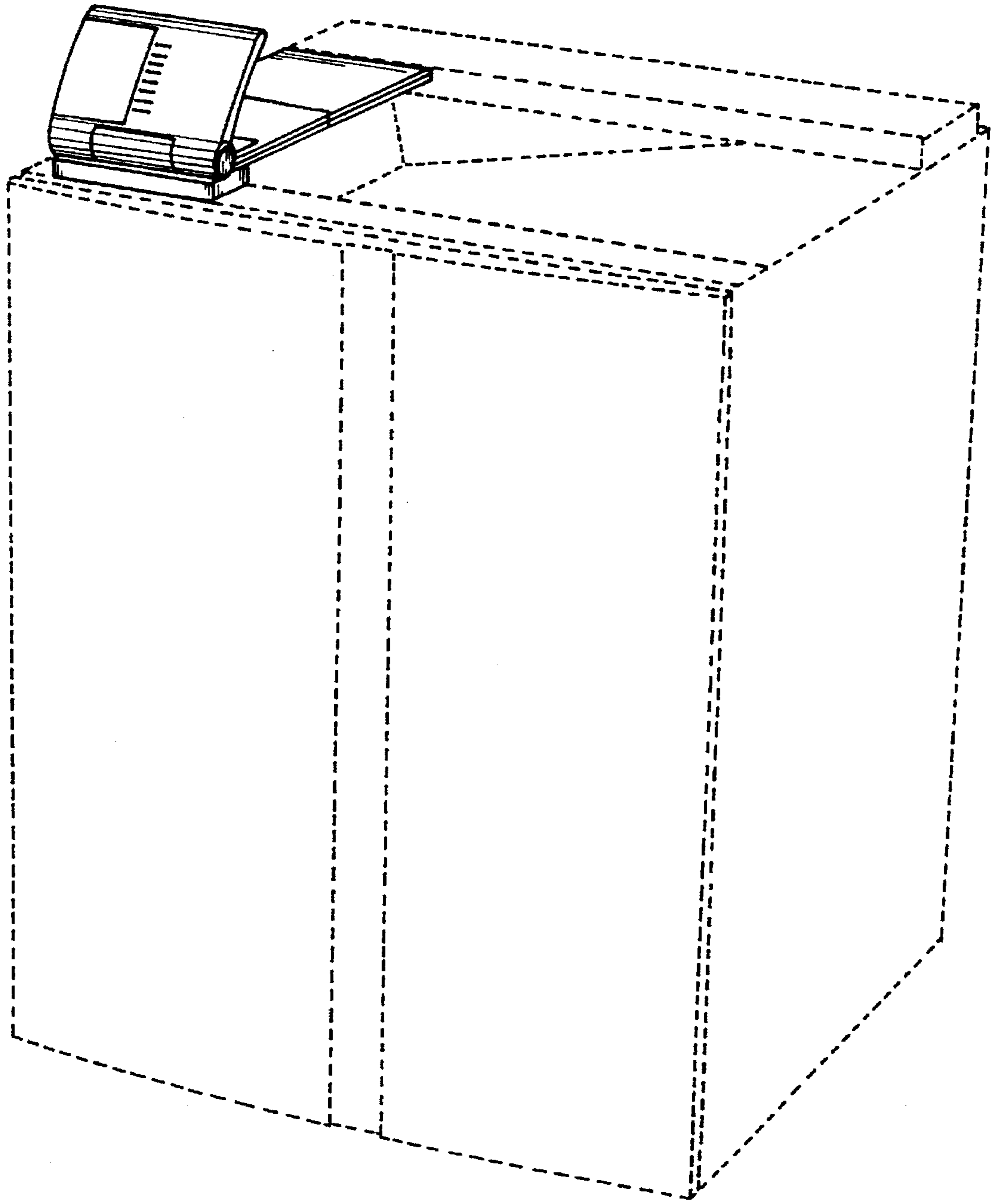


FIG. 1

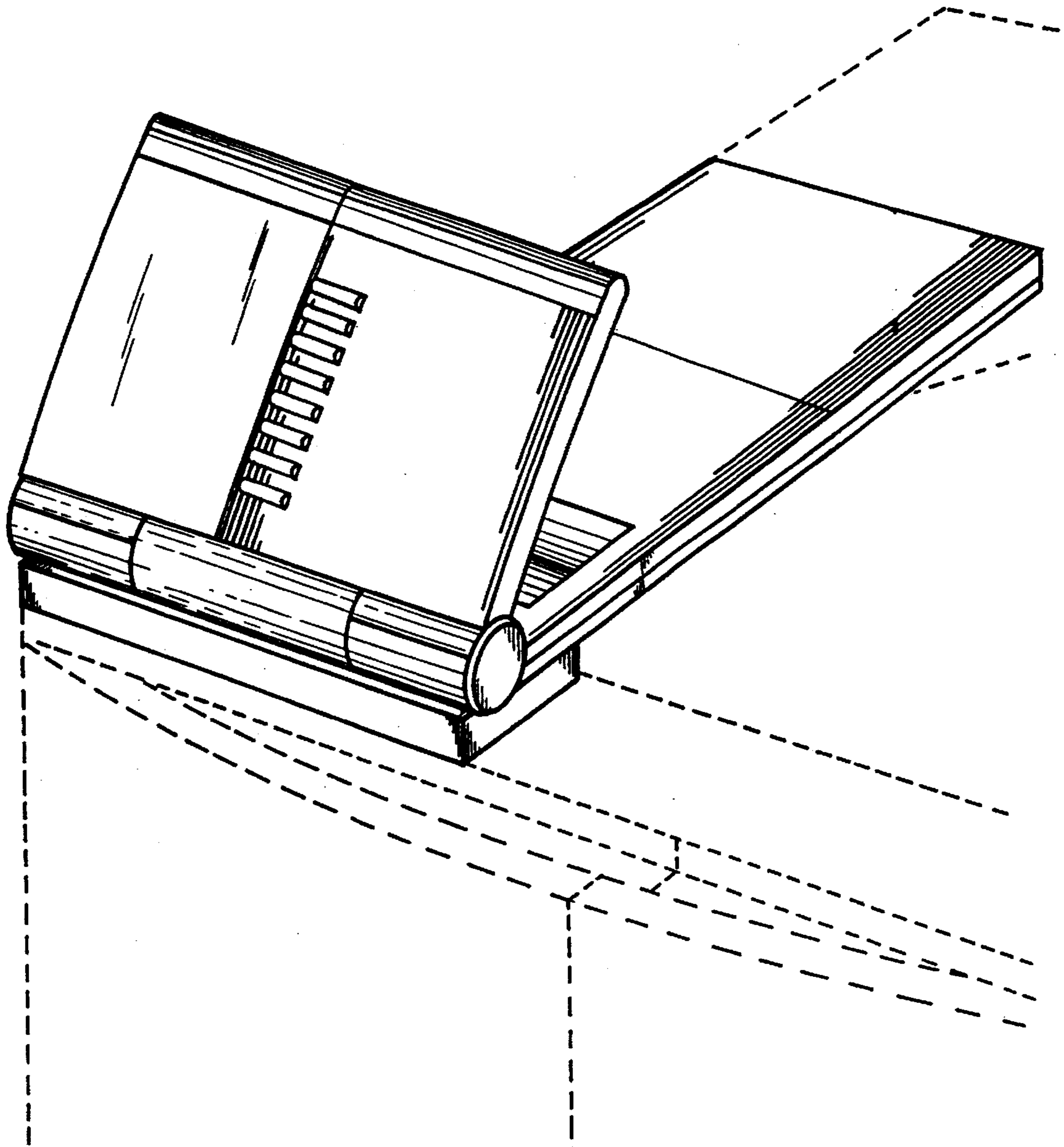
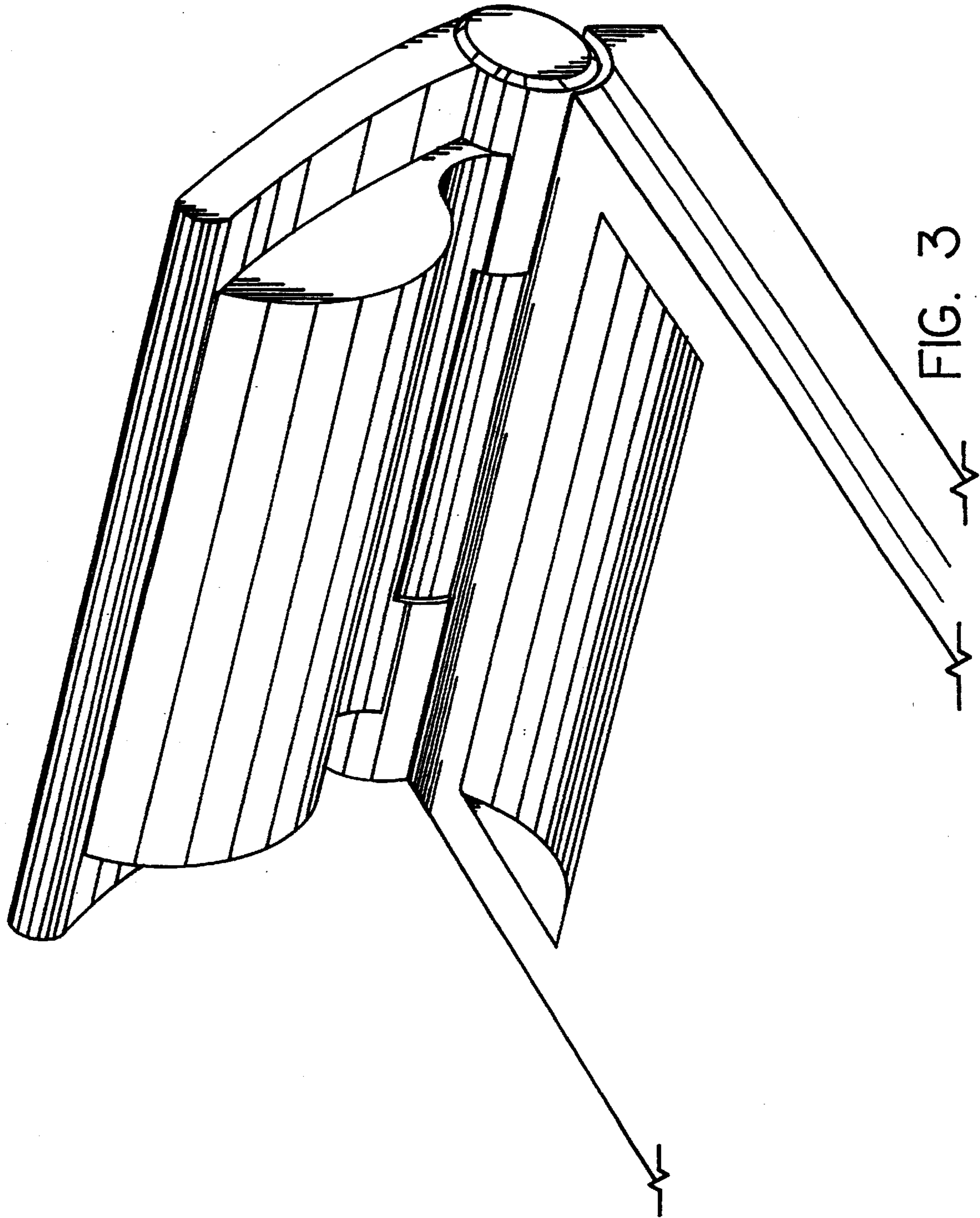


FIG. 2



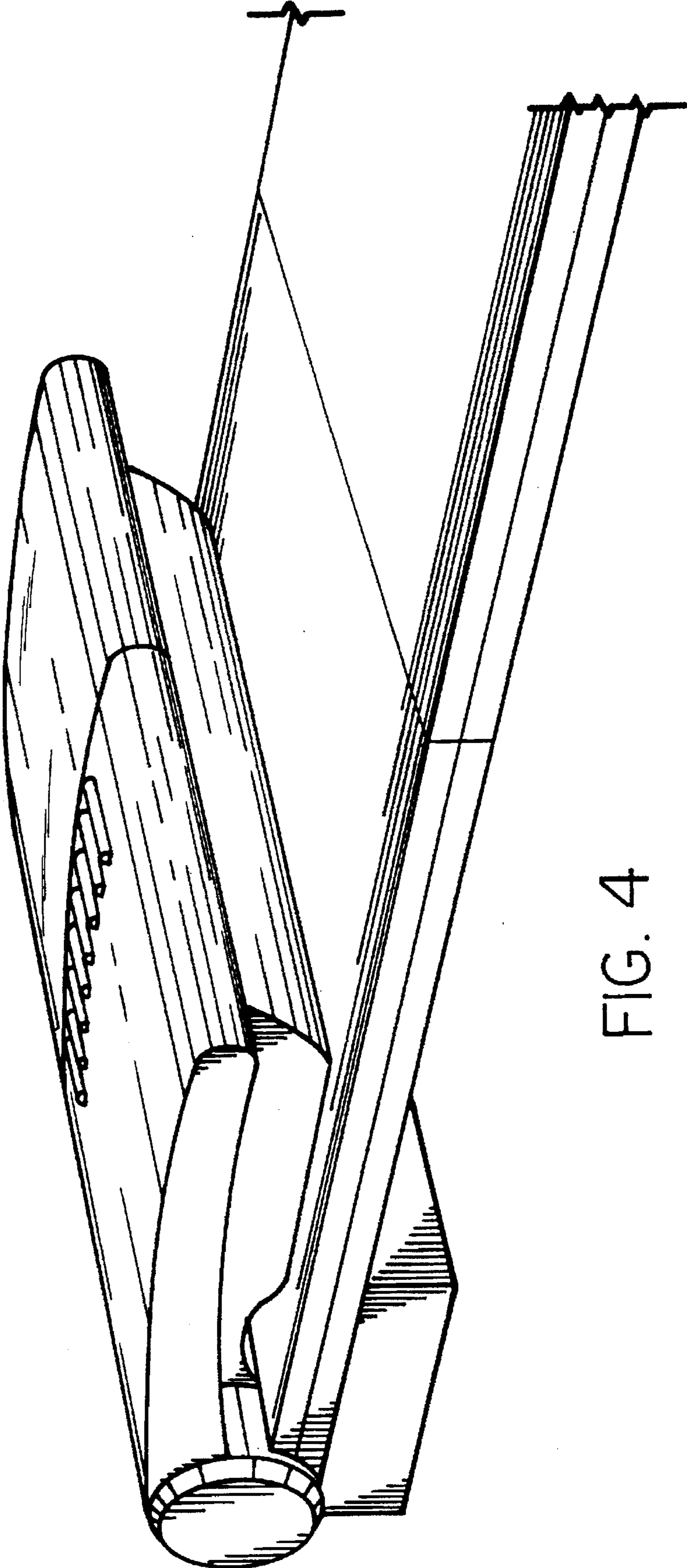


FIG. 4

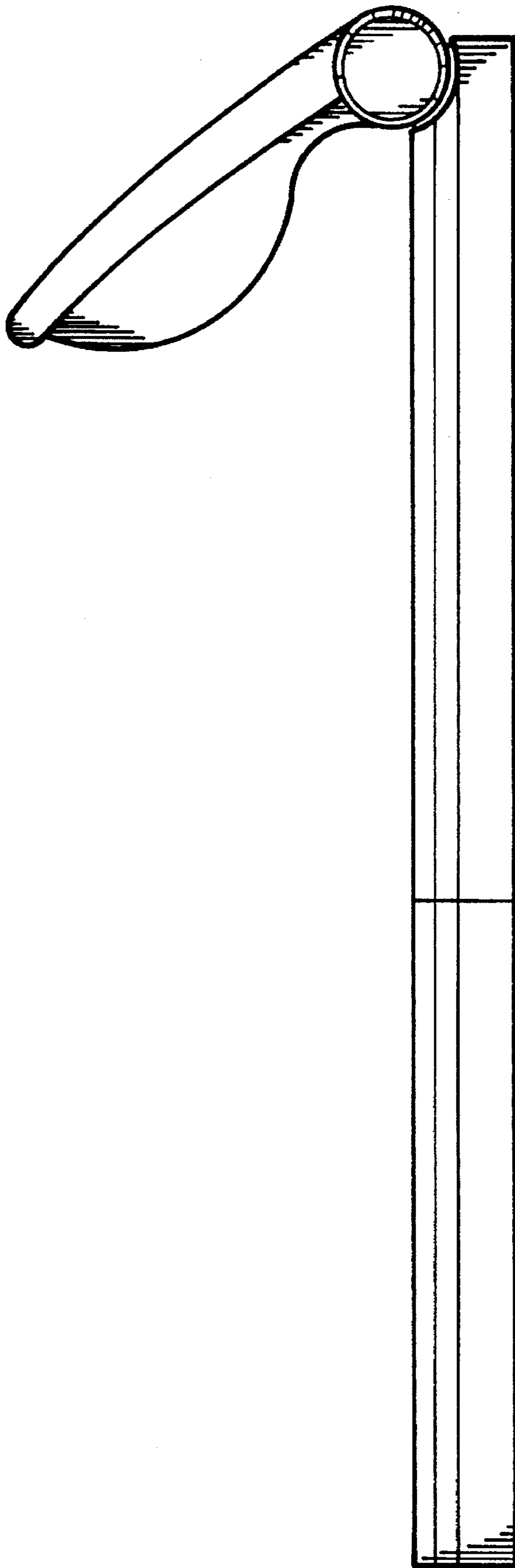


FIG. 5

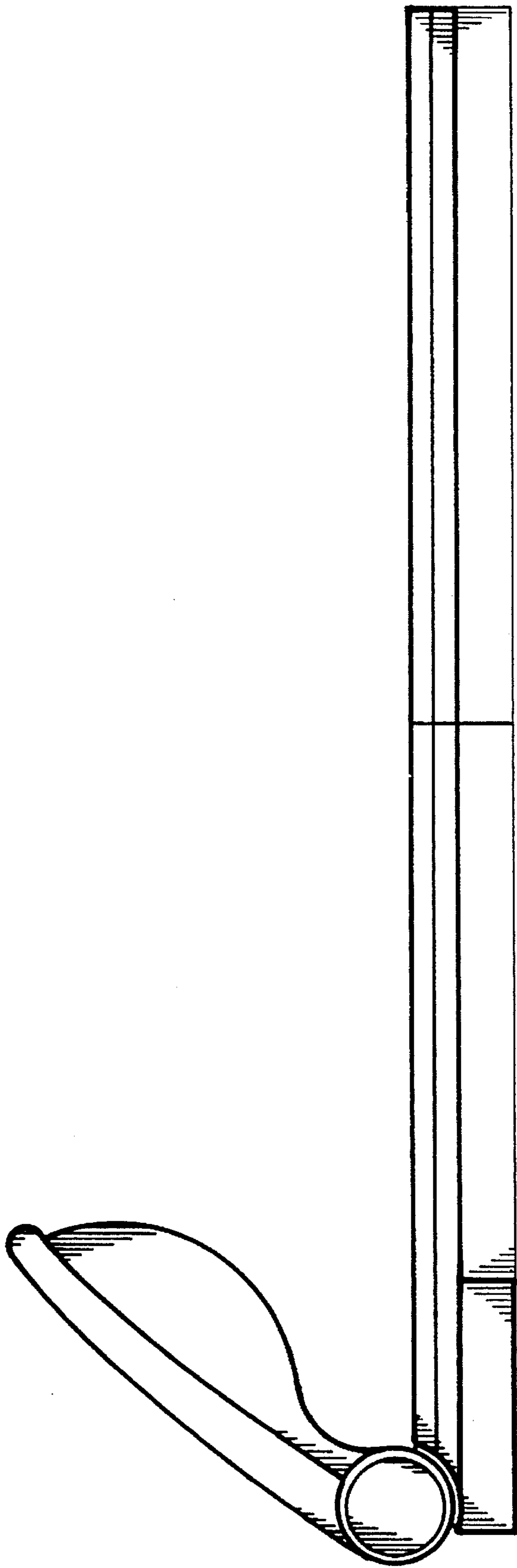


FIG. 6

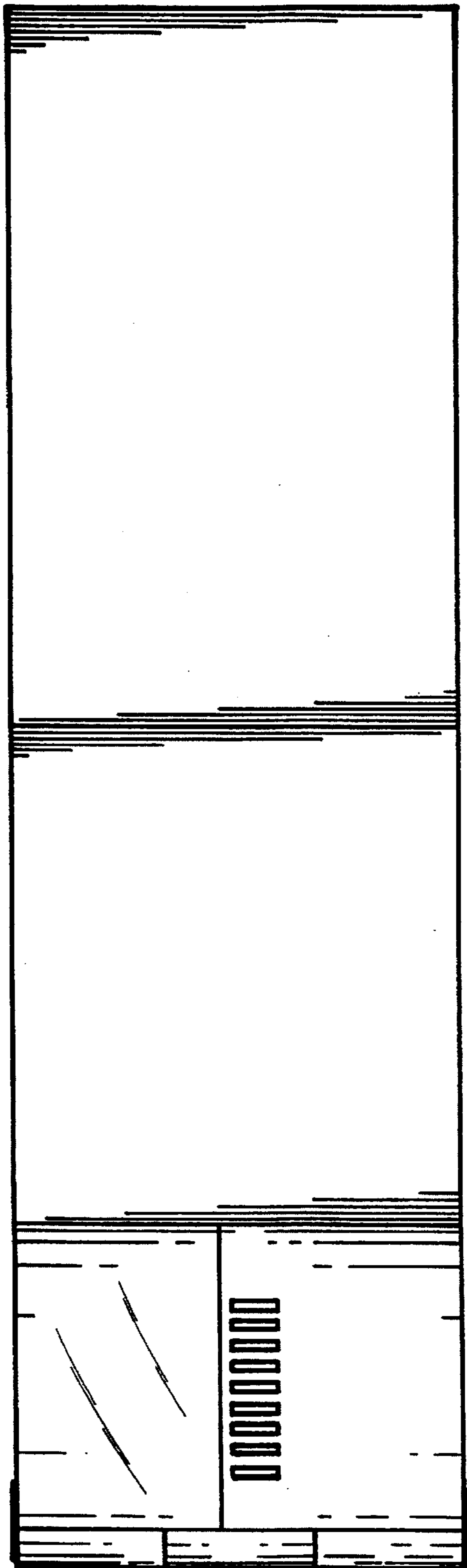


FIG. 7



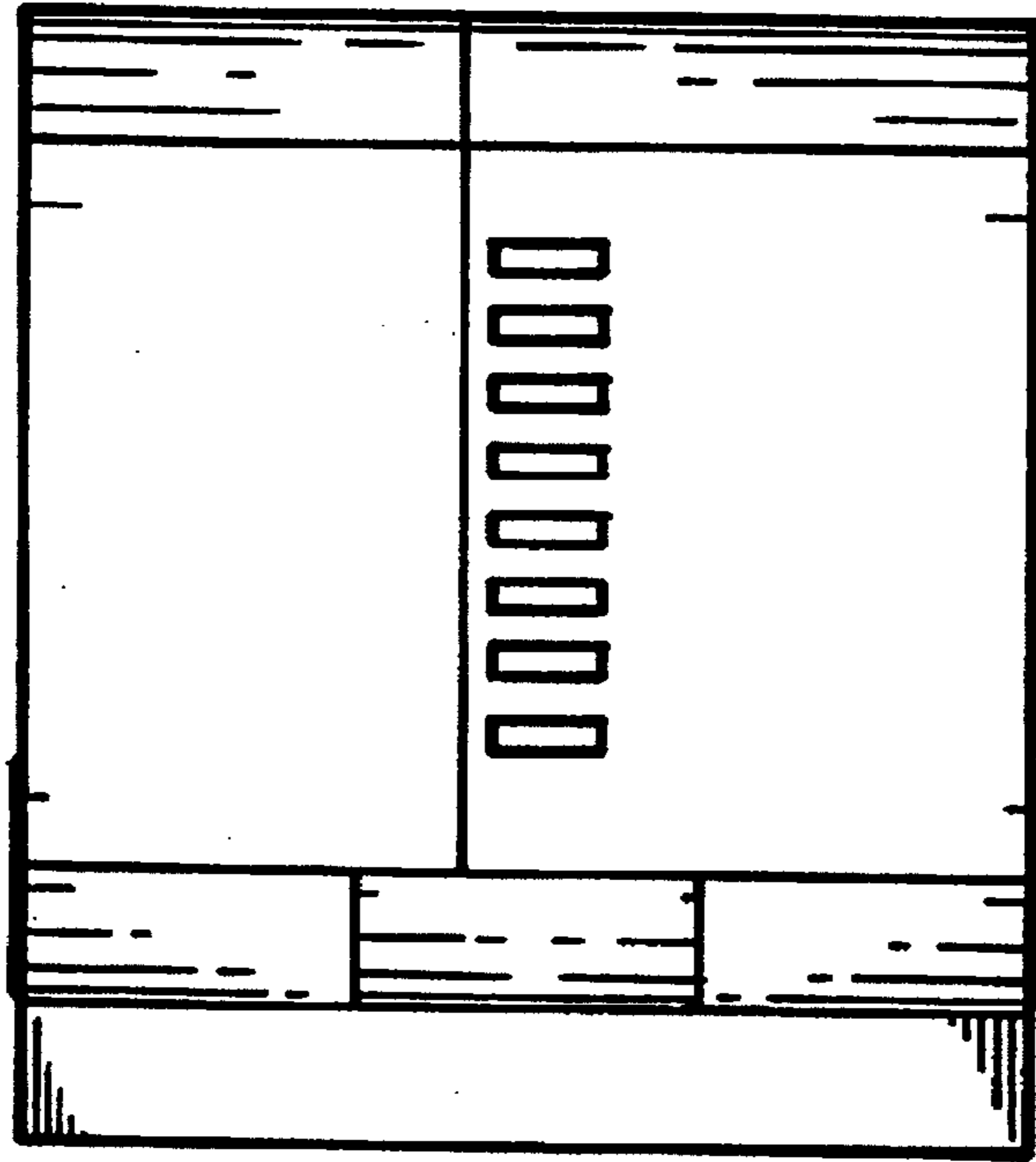


FIG. 8

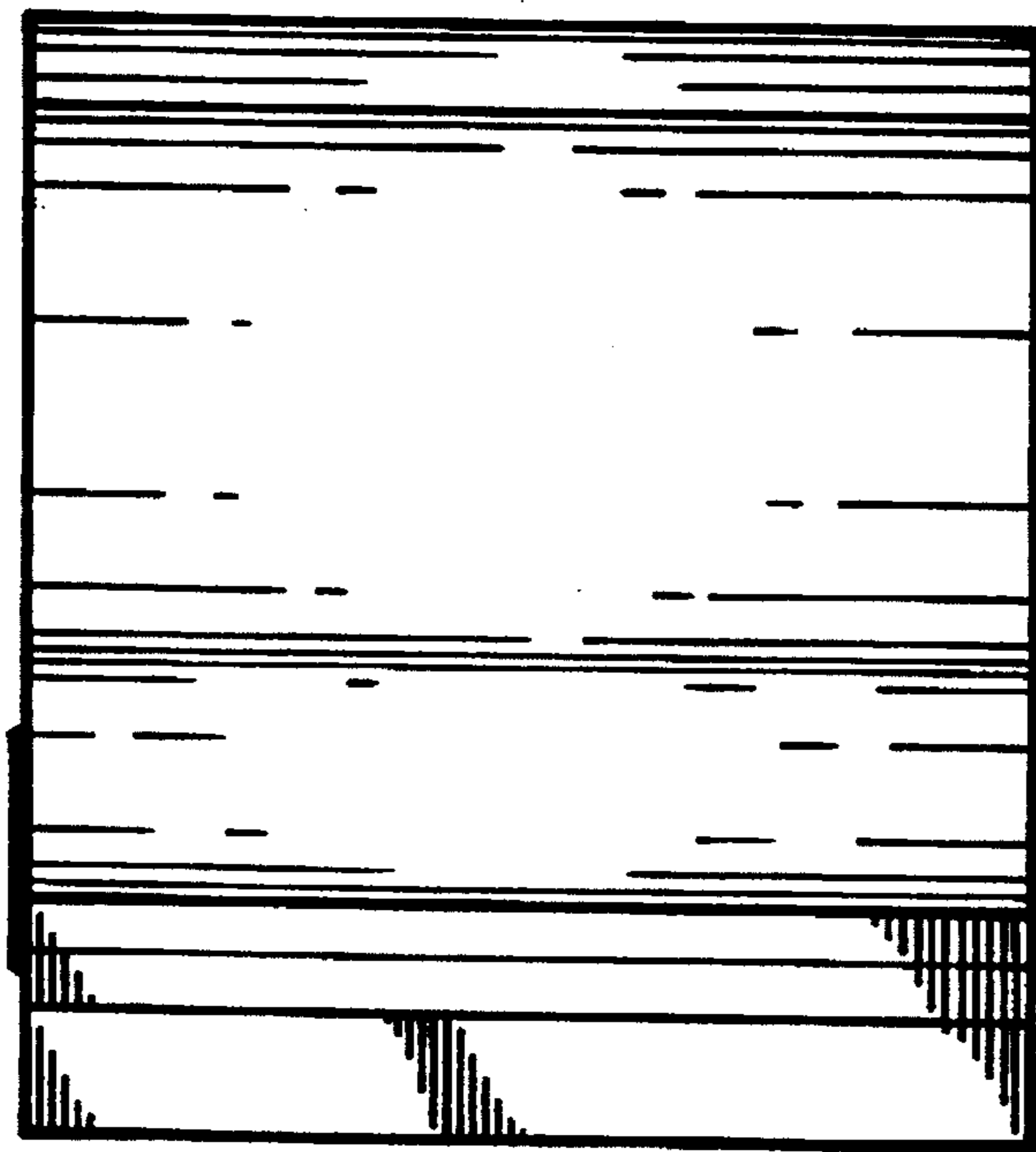


FIG. 9