



US00D382580S

United States Patent [19]

Dresselhaus et al.

[11] Patent Number: Des. 382,580

[45] Date of Patent: **Aug. 19, 1997

[54] MULTIMEDIA PROJECTOR

[75] Inventors: **William F. Dresselhaus**, Portland;
Gene D. Yanku, West Lynn; **Sohrab Vossoughi**; **Lutz Kucher**, both of Portland; **Brian G. Heintz**, Canby, all of Oreg.

[73] Assignee: **In Focus Systems, inc.**, Wilsonville, Oreg.

[**] Term: 14 Years

[21] Appl. No.: 53,404

[22] Filed: Apr. 22, 1996

[51] LOC (6) Cl. 16-02

[52] U.S. Cl. D16/225; D16/221

[58] Field of Search D14/128; D16/202-205,
D16/208, 221, 225, 230, 231, 234; D21/110;
352/34, 242, 243; 353/115, 119, 122

[56] References Cited

U.S. PATENT DOCUMENTS

D. 219,073 10/1970 Ainslie D16/230
D. 343,849 2/1994 Miyahara D16/225

D. 350,106 8/1994 Ina D16/234
D. 356,103 3/1995 Saeki et al. D16/221
D. 365,587 12/1995 Saeki et al. D16/221

Primary Examiner—Raphael Barkai
Assistant Examiner—Adir Aronovich
Attorney, Agent, or Firm—Timothy M. Carlson

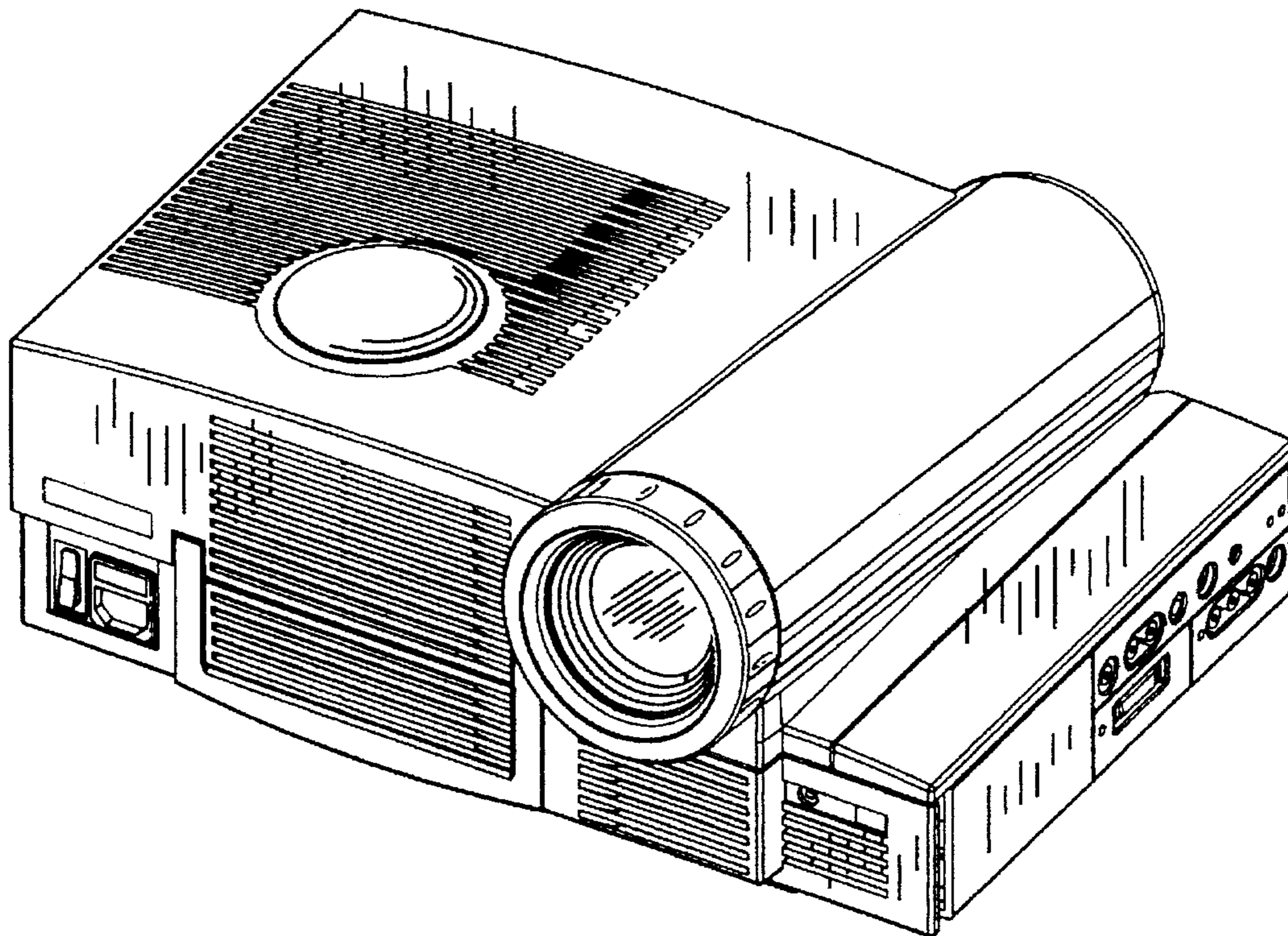
[57] CLAIM

The ornamental design for a multimedia projector, as shown and described.

DESCRIPTION

FIG. 1 is a front, right isometric view of a multimedia projector;
FIG. 2 is a top plan view of the multimedia projector of FIG. 1;
FIG. 3 is a front end view of the multimedia projector of FIG. 1;
FIG. 4 is a rear end view of the multimedia projector of FIG. 1;
FIG. 5 is a left side view of the multimedia projector of FIG. 1; and,
FIG. 6 is a right side view of the multimedia projector of FIG. 1.

1 Claim, 2 Drawing Sheets



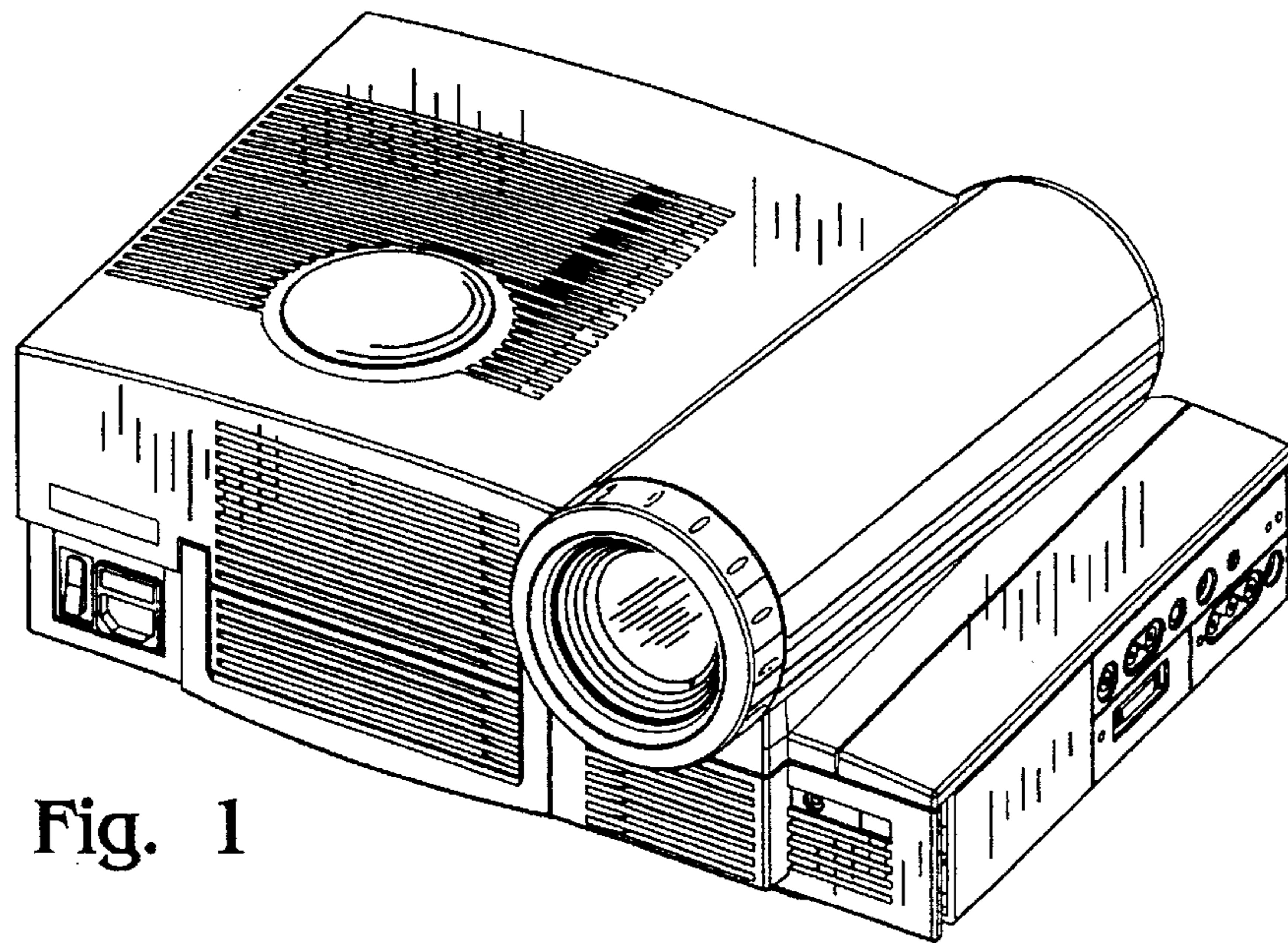


Fig. 1

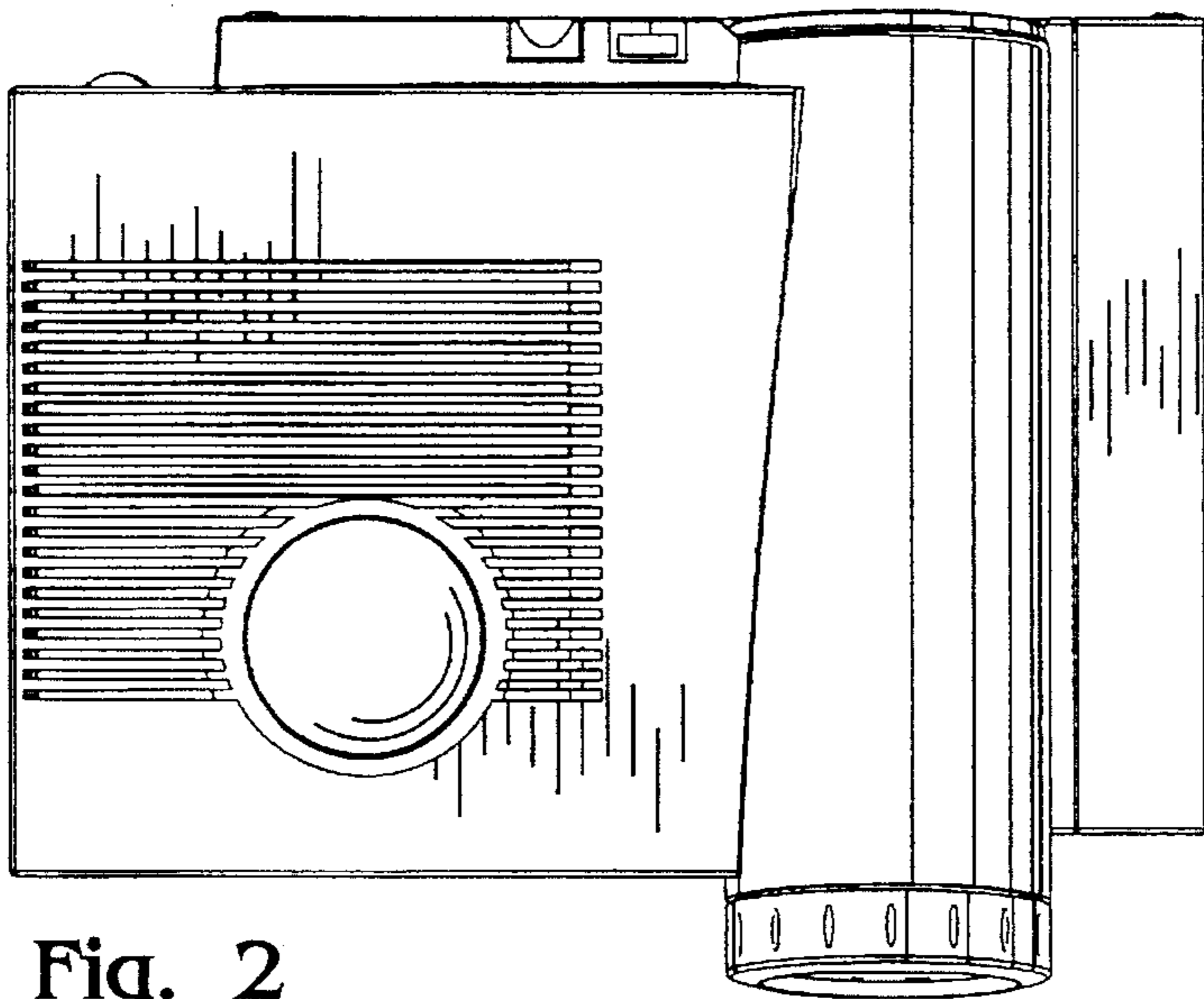


Fig. 2

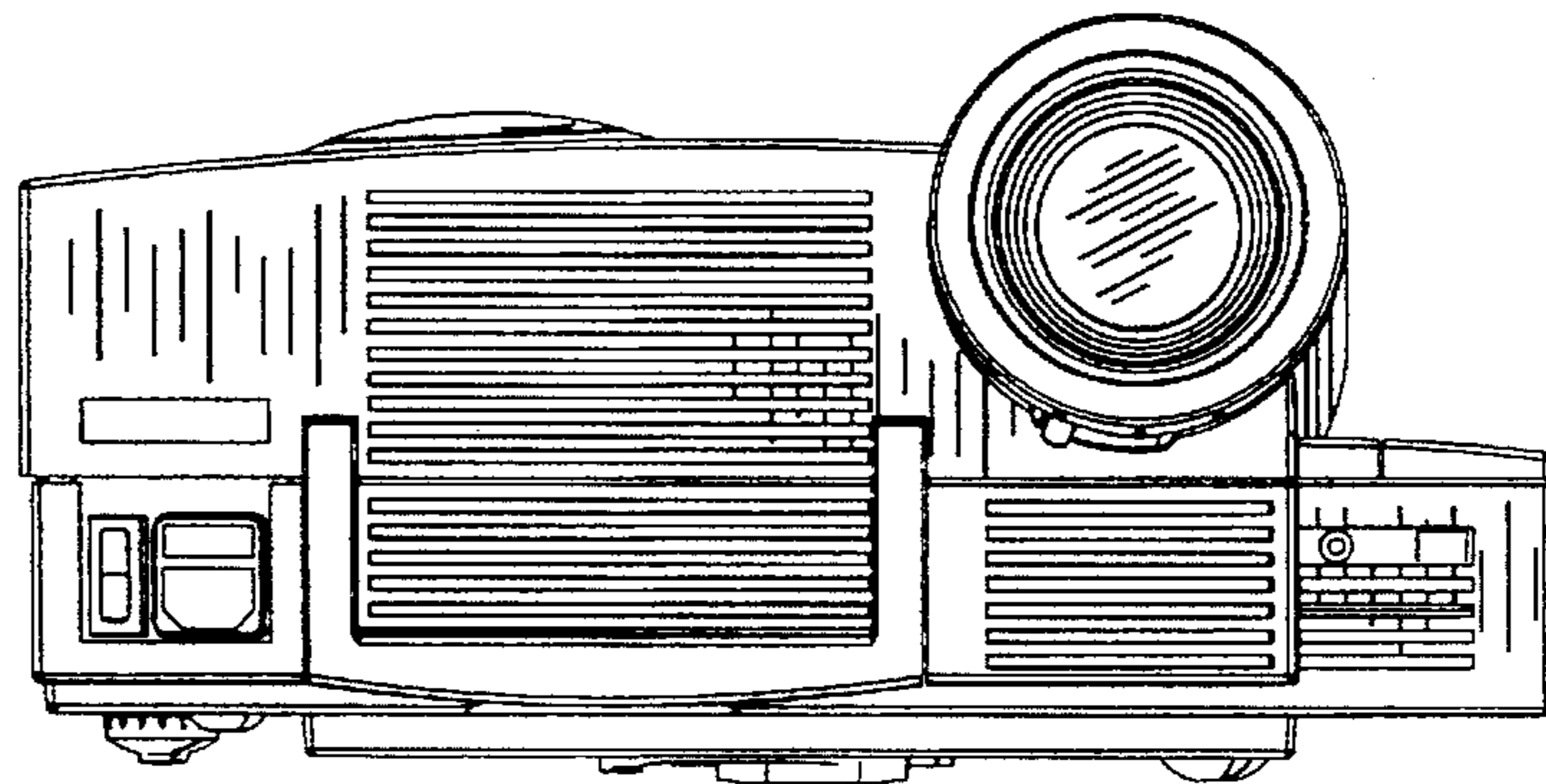


Fig. 3

Fig. 4

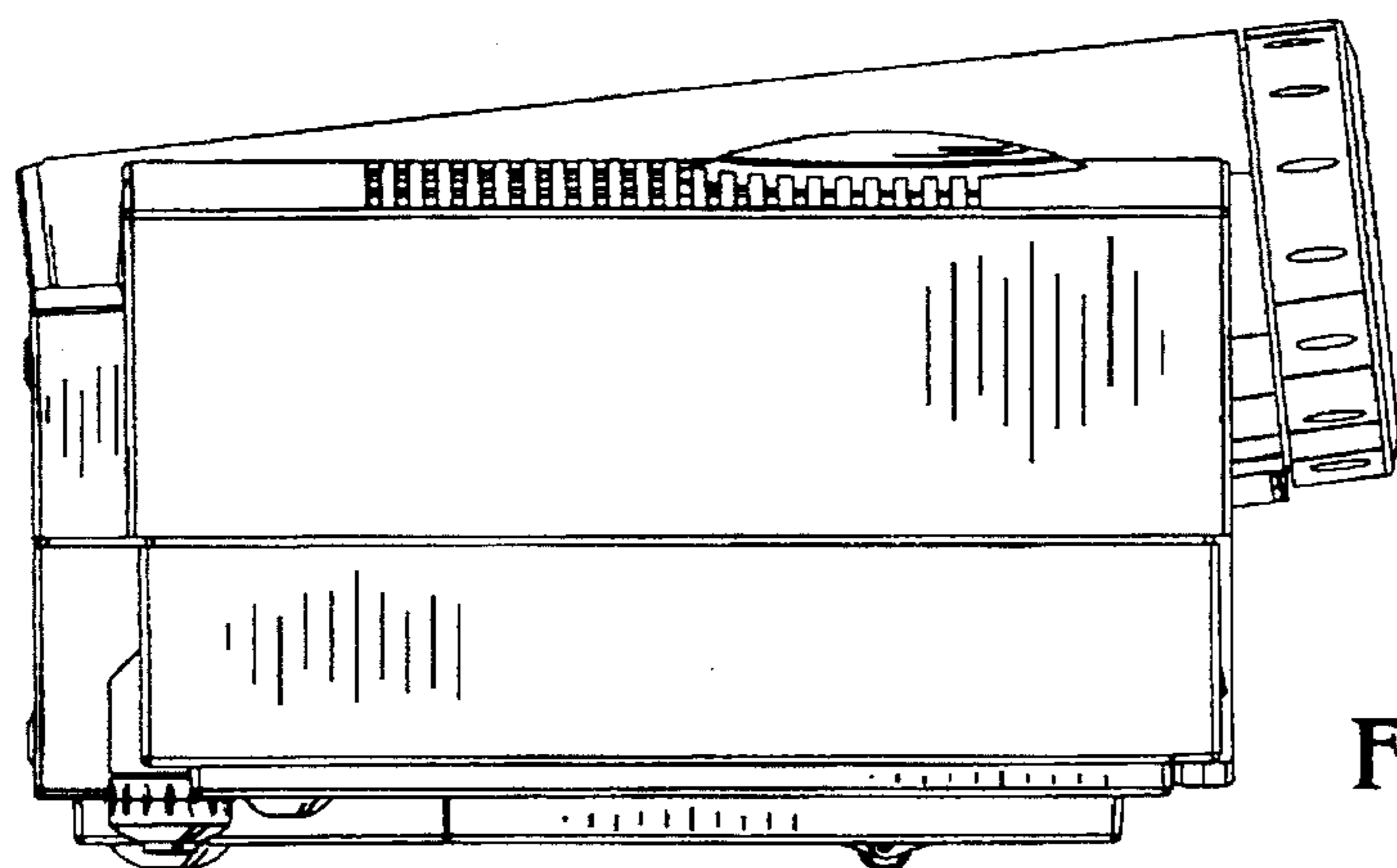
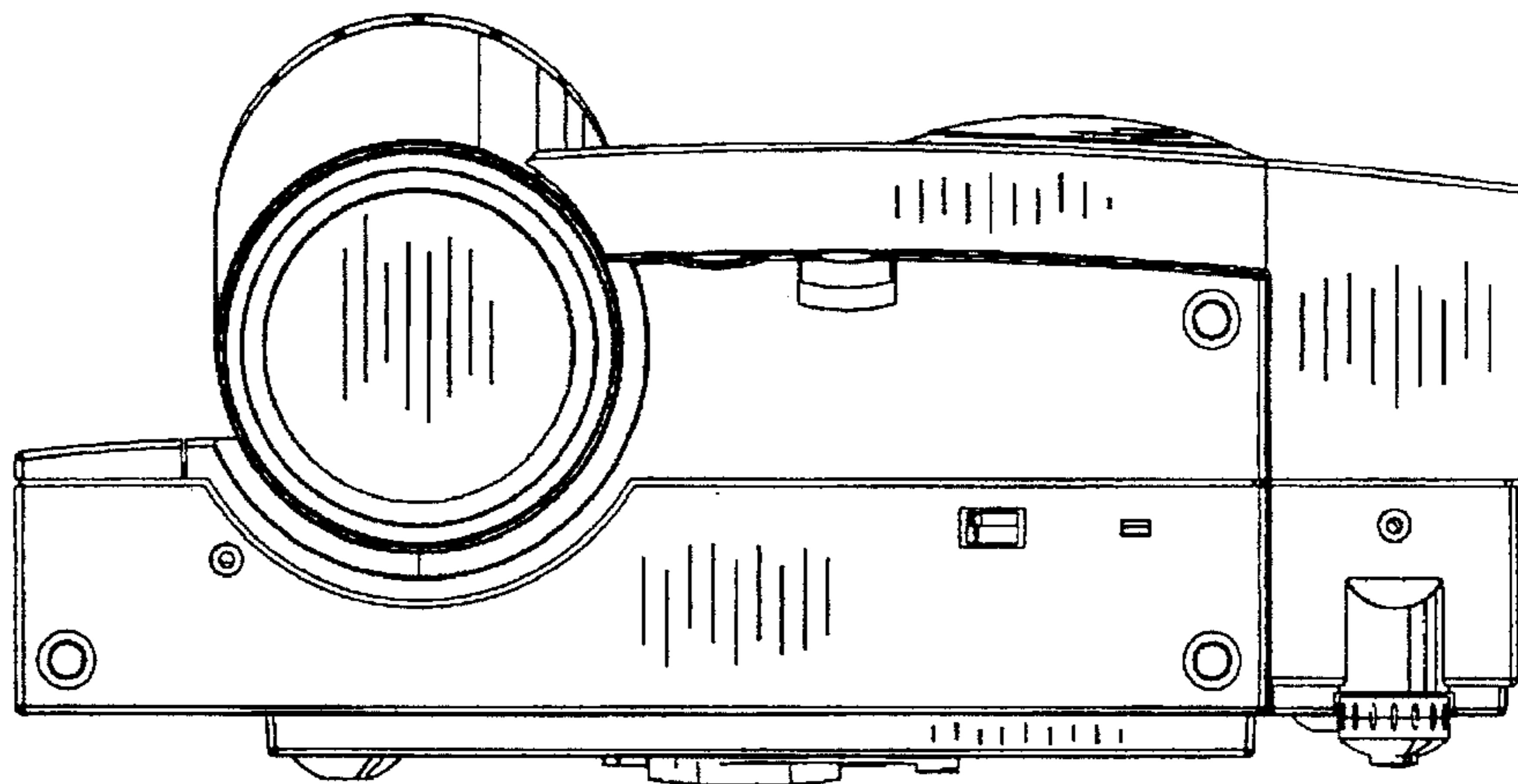


Fig. 5

Fig. 6

