



US00D382577S

United States Patent [19]
Waldmann

[11] **Patent Number: Des. 382,577**

[45] **Date of Patent: **Aug. 19, 1997**

[54] **LAMP WITH PIVOTING MAGNIFIER**

4,744,019 5/1988 Krogsrud 362/427 X
4,958,913 9/1990 Schaffer D26/51 X

[75] **Inventor: Gerhard Waldmann,**
Villingen-Schwenningen, Germany

OTHER PUBLICATIONS

[73] **Assignee: Herbert Waldmann GmbH & Co.,**
Villingen-Schwenningen, Germany

Cole-Parmer Catalog, 1989-90, p. 413, Combined Magnifier & Spotlight #B.

[**] **Term: 14 Years**

Primary Examiner—Susan J. Lucas
Attorney, Agent, or Firm—Eugene E. Renz, Jr.

[21] **Appl. No.: 52,469**

[57] **CLAIM**

[22] **Filed: Apr. 2, 1996**

The ornamental design for a lamp with pivoting magnifier, as shown and described.

[30] **Foreign Application Priority Data**

DESCRIPTION

Oct. 6, 1995 [DE] Germany M 95 07 861.4

FIG. 1 is a side elevational view of my design for lamp with pivoting magnifier;

[51] **LOC (6) Cl. 16-06**

[52] **U.S. Cl. D16/135; D26/51; D26/65**

FIG. 2 is a fragmentary bottom plan view of my design for lamp with pivoting magnifier, the lamp being fragmentarily shown for convenience of illustration;

[58] **Field of Search D26/60-66, 51;**
362/269, 275, 287, 410, 411, 413, 414,
418, 419, 428, 402, 253; D16/135, 136

FIG. 3 is an end elevational view of my design for lamp with pivoting magnifier;

[56] **References Cited**

U.S. PATENT DOCUMENTS

D. 172,088 5/1954 Coleman et al. D16/135
D. 225,776 1/1973 Siegel D16/135
D. 284,087 6/1986 Haidinger D26/61 X
2,199,107 4/1940 Kibbe D16/135 X

FIG. 4 is a perspective view of my design for lamp with pivoting magnifier; and,

FIG. 5 is a perspective view of my design for lamp with pivoting magnifier similar to FIG. 4 with the magnifying element pivoted to another operative position.

1 Claim, 3 Drawing Sheets

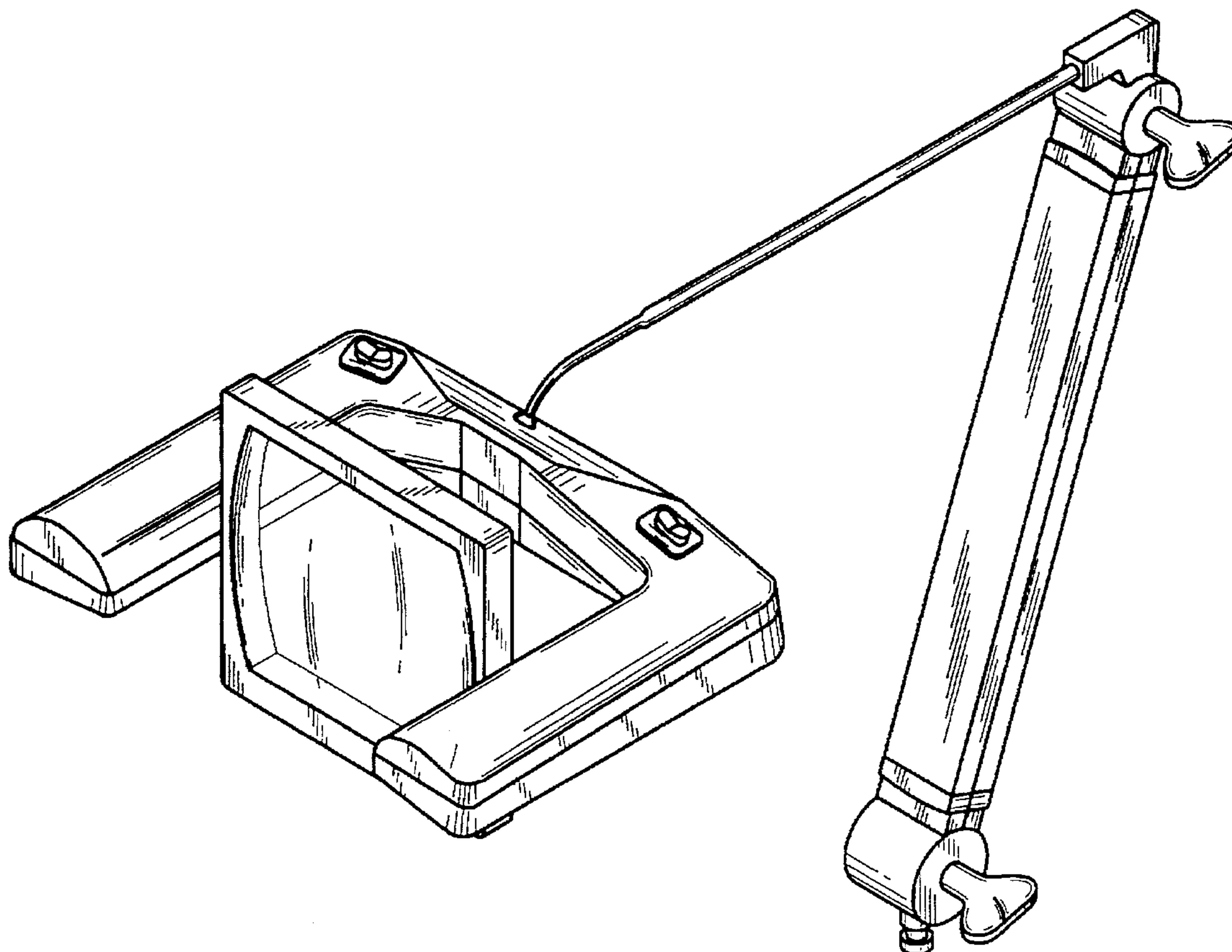


FIG. 1

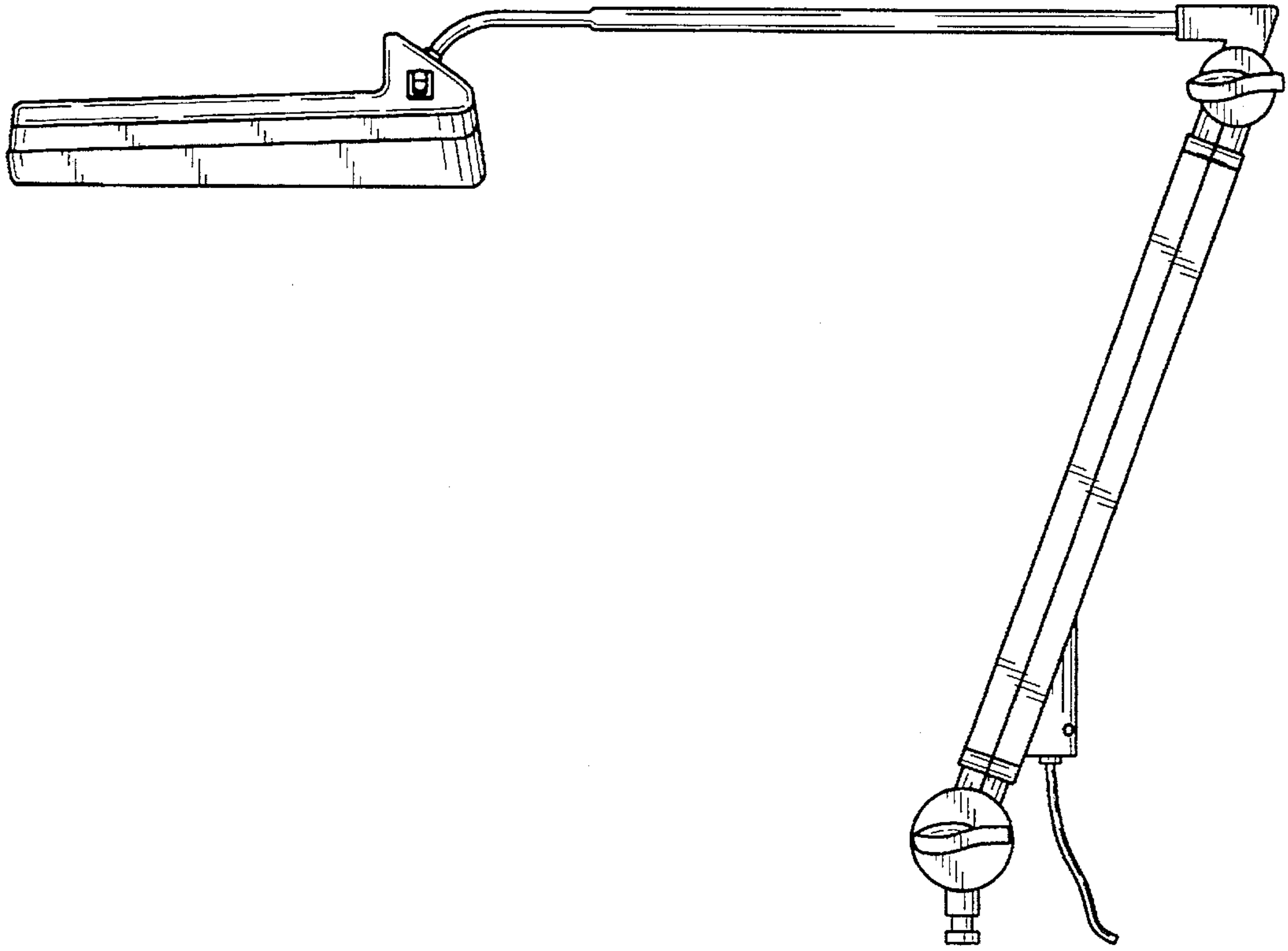


FIG. 2

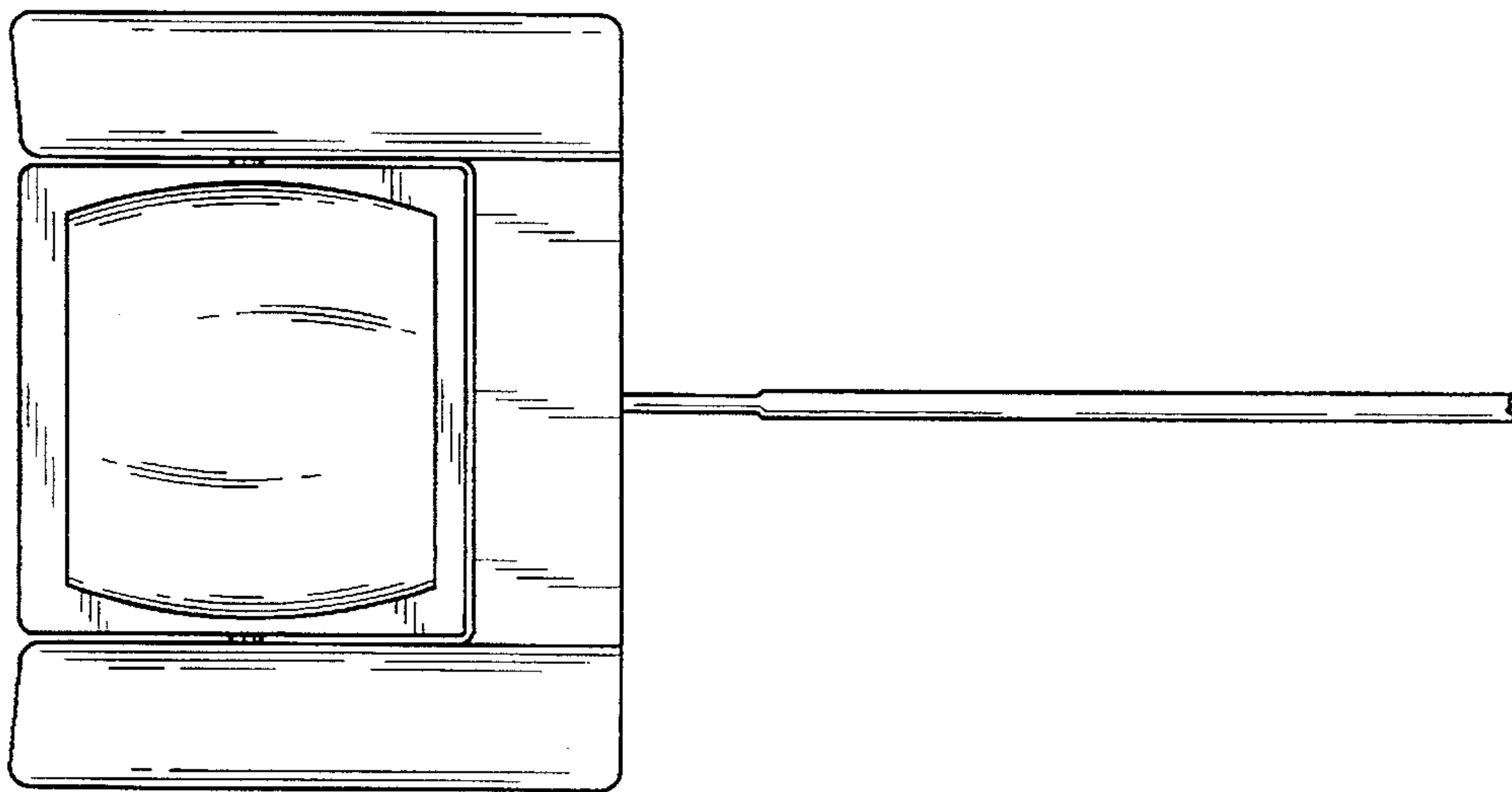


FIG. 3

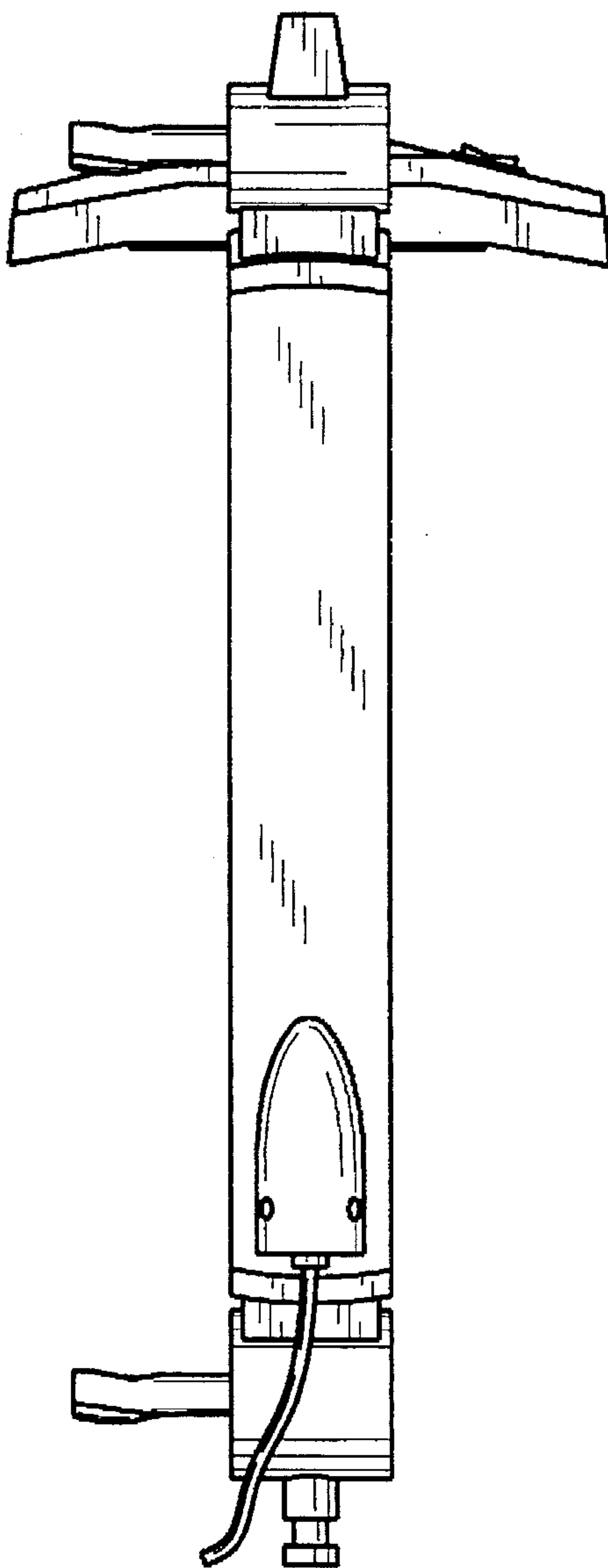


FIG. 4

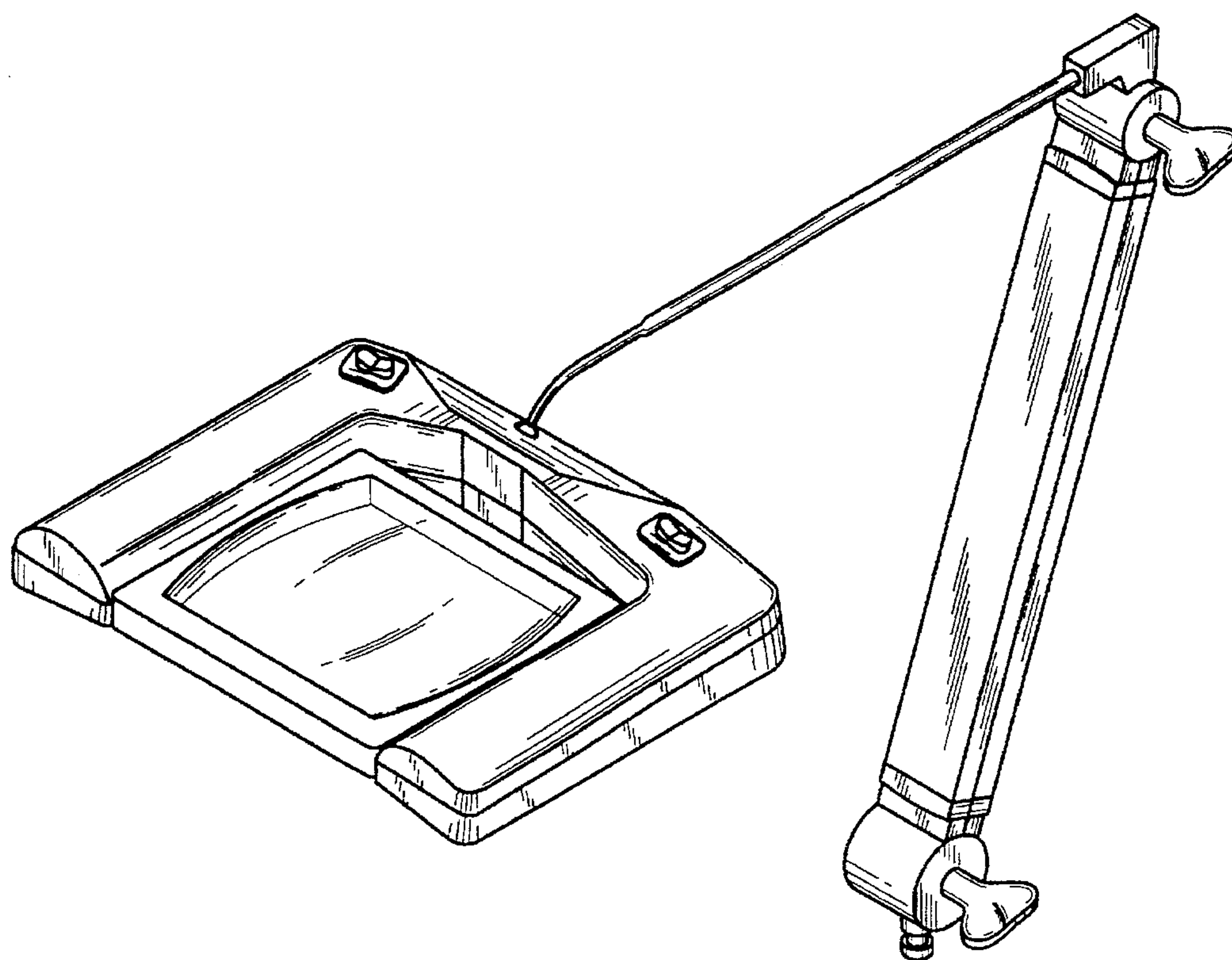


FIG. 5

