



US00D382573S

United States Patent [19]

[11] Patent Number: Des. 382,573

Avitan et al.

[45] Date of Patent: **Aug. 19, 1997

[54] MOTOR DRIVE

OTHER PUBLICATIONS

[75] Inventors: **Isaac Avitan; Robert Weihe**, both of Sioux City, Iowa

Bison Geamotors and Reducers Catalog, No Page No. Given Dec. 1992.

[73] Assignee: **Schaeff, Incorporated**, Sioux City, Iowa

Primary Examiner—Ruth McInroy
Assistant Examiner—Frank Martinez
Attorney, Agent, or Firm—Natter & Natter

[**] Term: **14 Years**

[57] CLAIM

[21] Appl. No.: **45,229**

The ornamental design for a motor drive, as shown.

[22] Filed: **Oct. 13, 1995**

DESCRIPTION

[51] LOC (6) Cl. **15-99**

[52] U.S. Cl. **D15/149**

[58] **Field of Search** D15/2, 3, 4, 5,
D15/6, 7, 8, 9, 149; 74/609, 416, 89.14,
417, 425, 421.4, 420

FIG. 1 is a perspective view of a motor drive showing our new design;
FIG. 2 is a further perspective view thereof;
FIG. 3 is a left side elevational view thereof;
FIG. 4 is a right side elevational view thereof;
FIG. 5 is a front elevational view thereof;
FIG. 6 is a rear elevational view thereof;
FIG. 7 is a top plan view thereof; and,
FIG. 8 is a bottom view thereof.

[56] References Cited

U.S. PATENT DOCUMENTS

D. 200,877	4/1965	Raso	D15/149
D. 201,917	8/1965	Heyer	D15/149
D. 273,586	4/1984	Hodgson	D15/5
2,734,393	2/1956	Luenberger	74/606 R X
3,075,690	1/1963	Luenberger	74/417 X
4,461,367	7/1984	Eichinger et al.	
4,503,731	3/1985	Tomlinson	74/421 A X

The broken line showing of a motor with mounting studs and nuts is for illustrative purposes only and forms no part of the claimed design.

The top portion of the claimed design not shown in FIG. 7 is plain and unornamented and forms no part of the claimed design.

FOREIGN PATENT DOCUMENTS

126794 4/1959 U.S.S.R. .

1 Claim, 7 Drawing Sheets

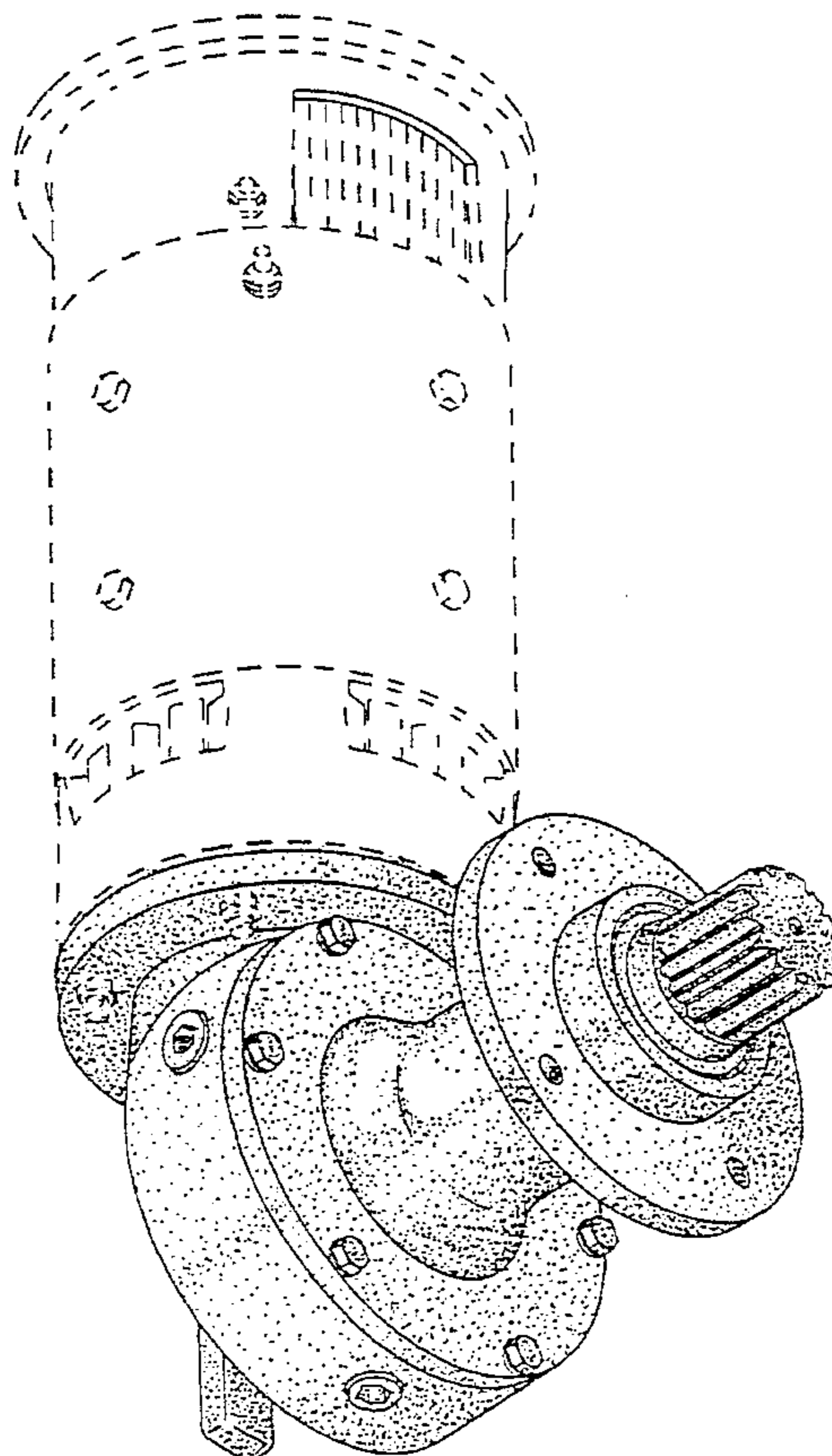


Fig. 1

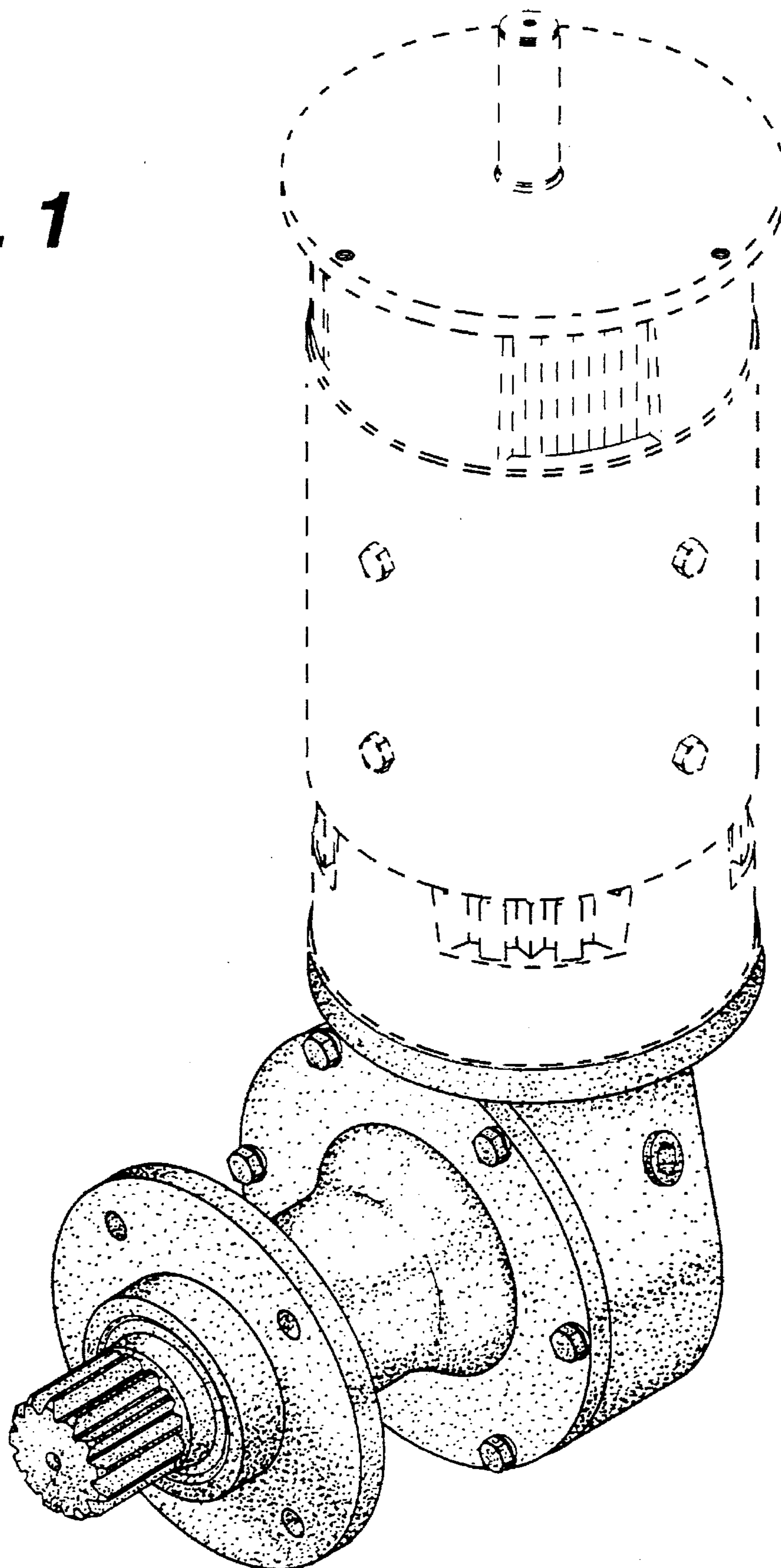


Fig. 2

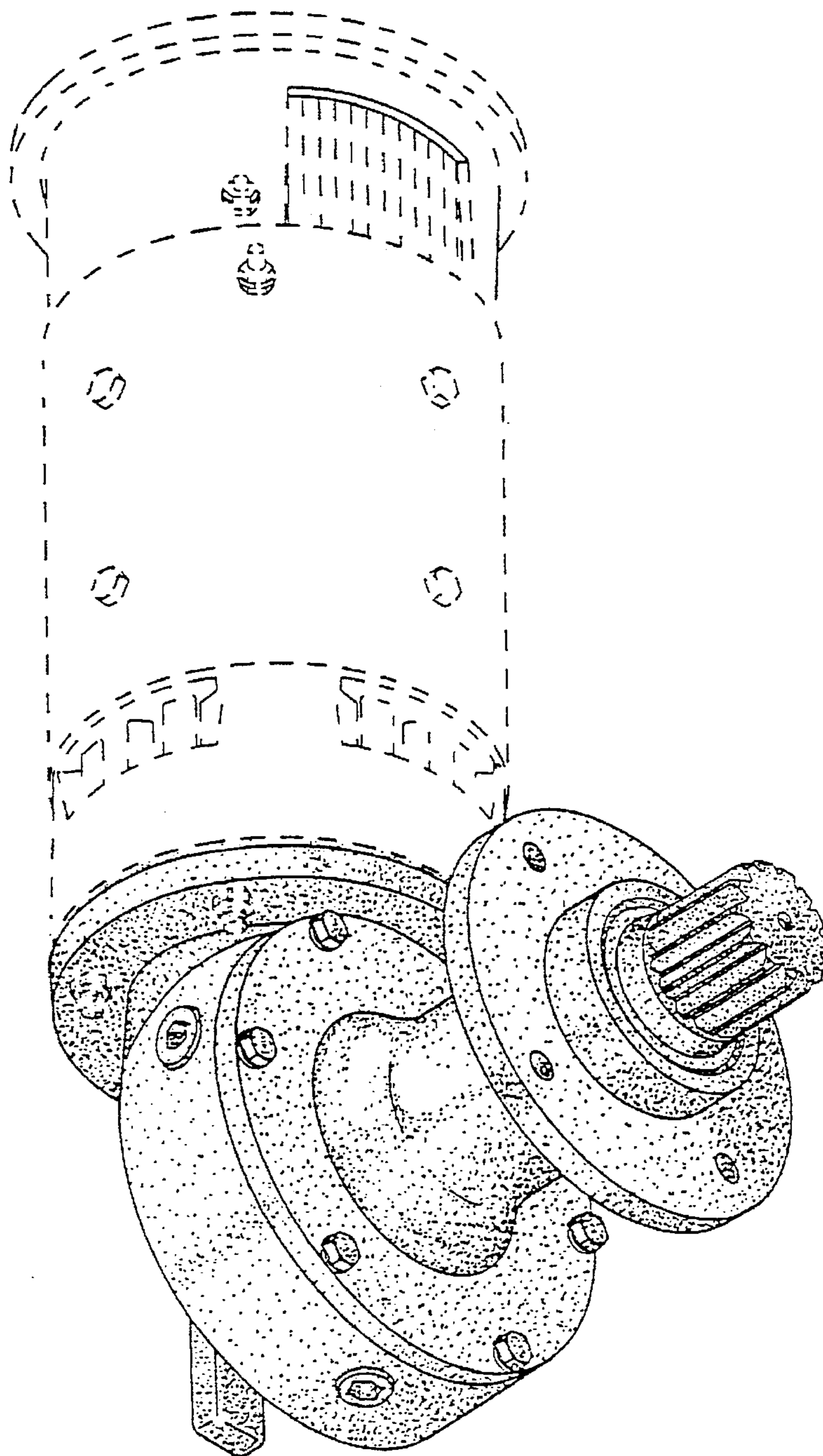


Fig. 3

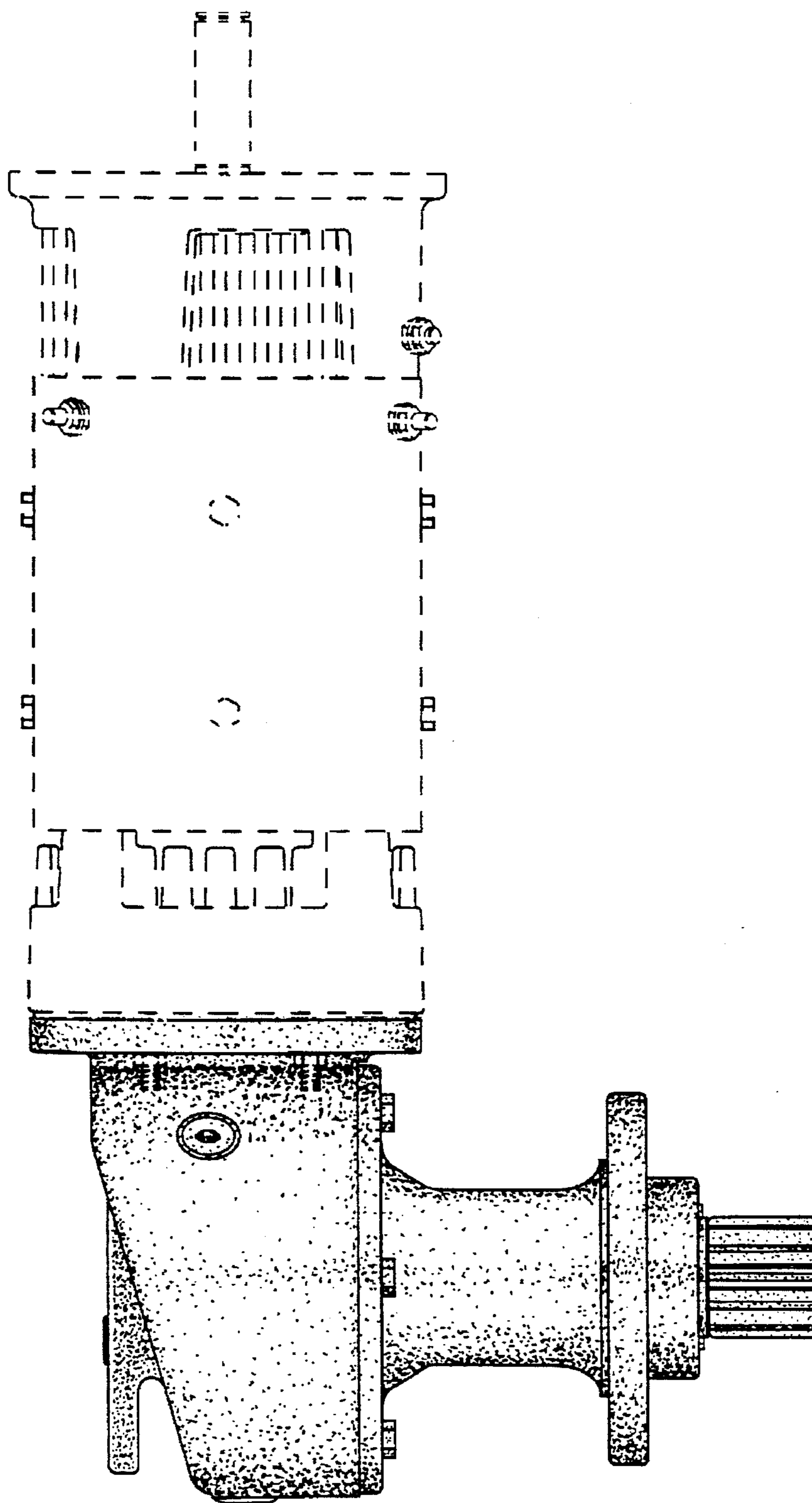


Fig. 4

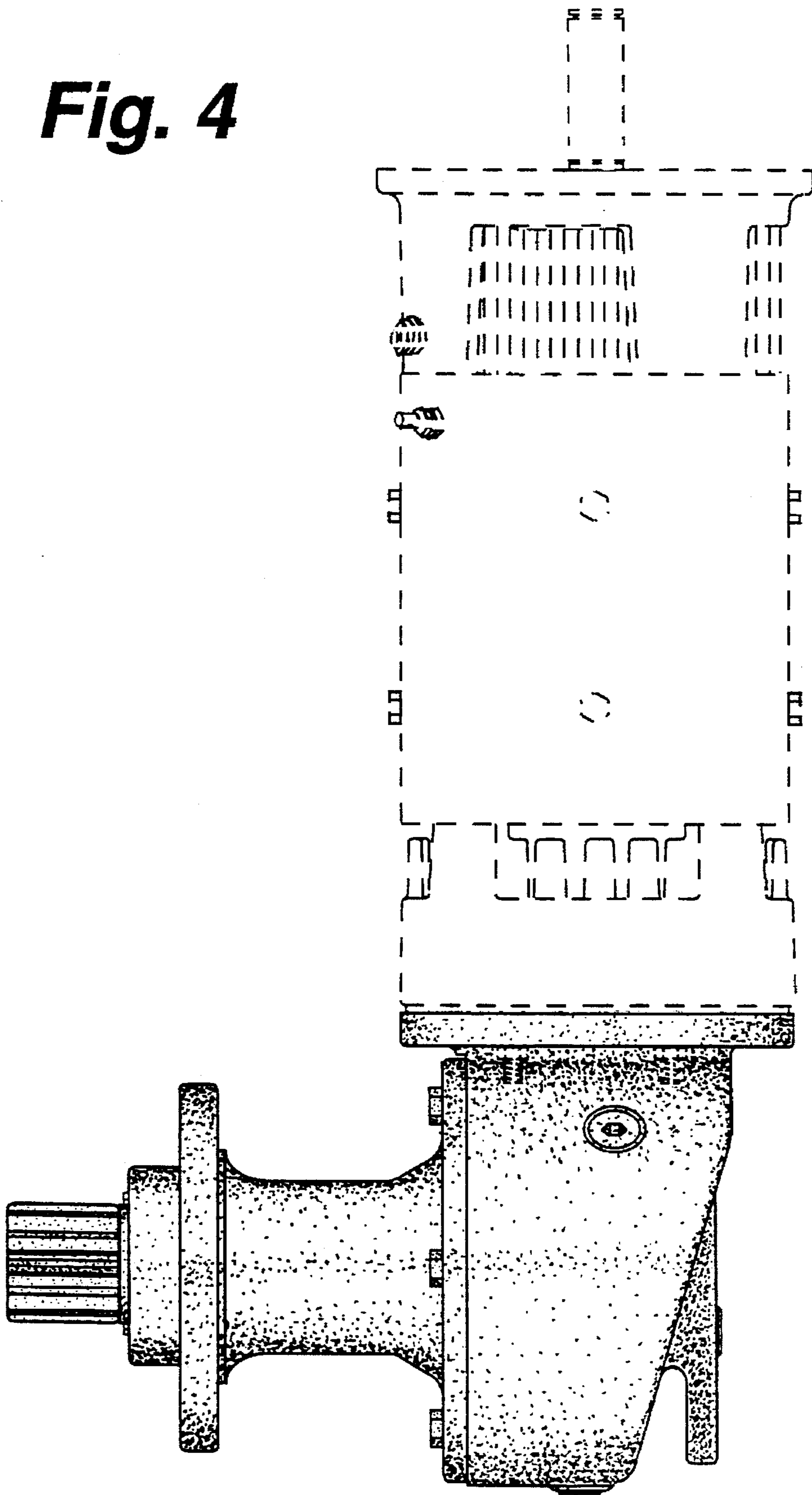


Fig. 5

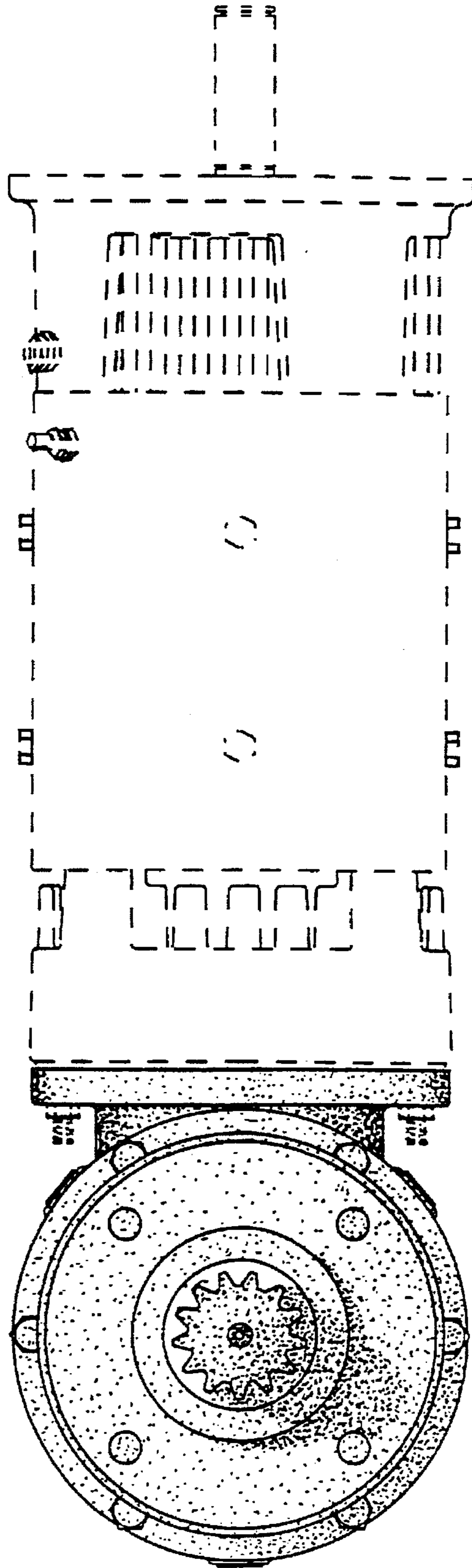


Fig. 6

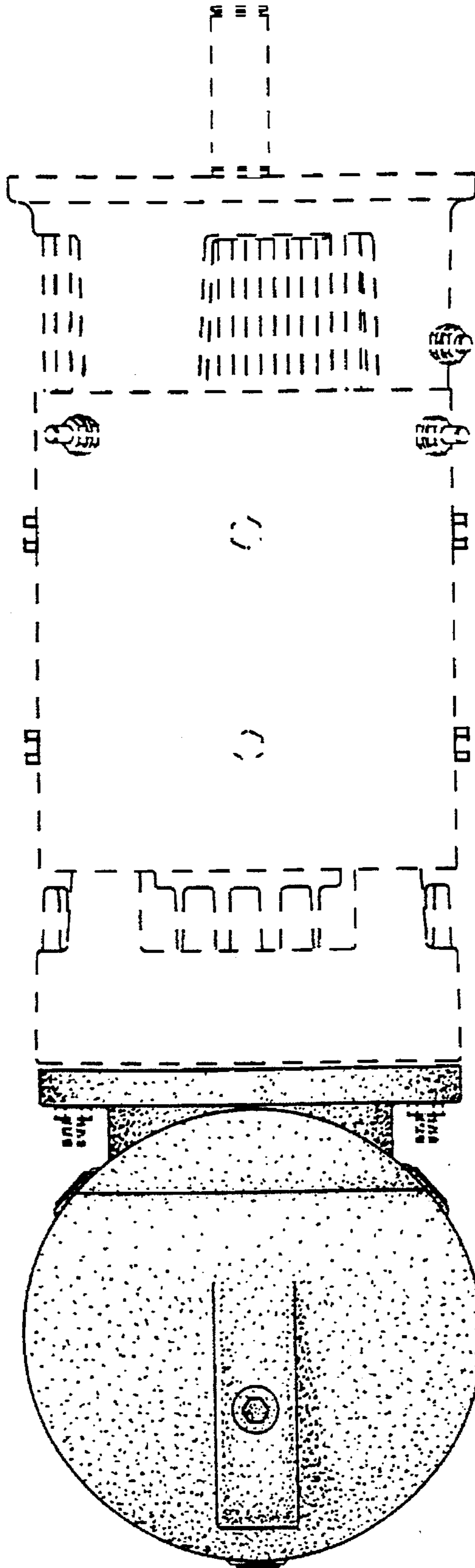


Fig. 7

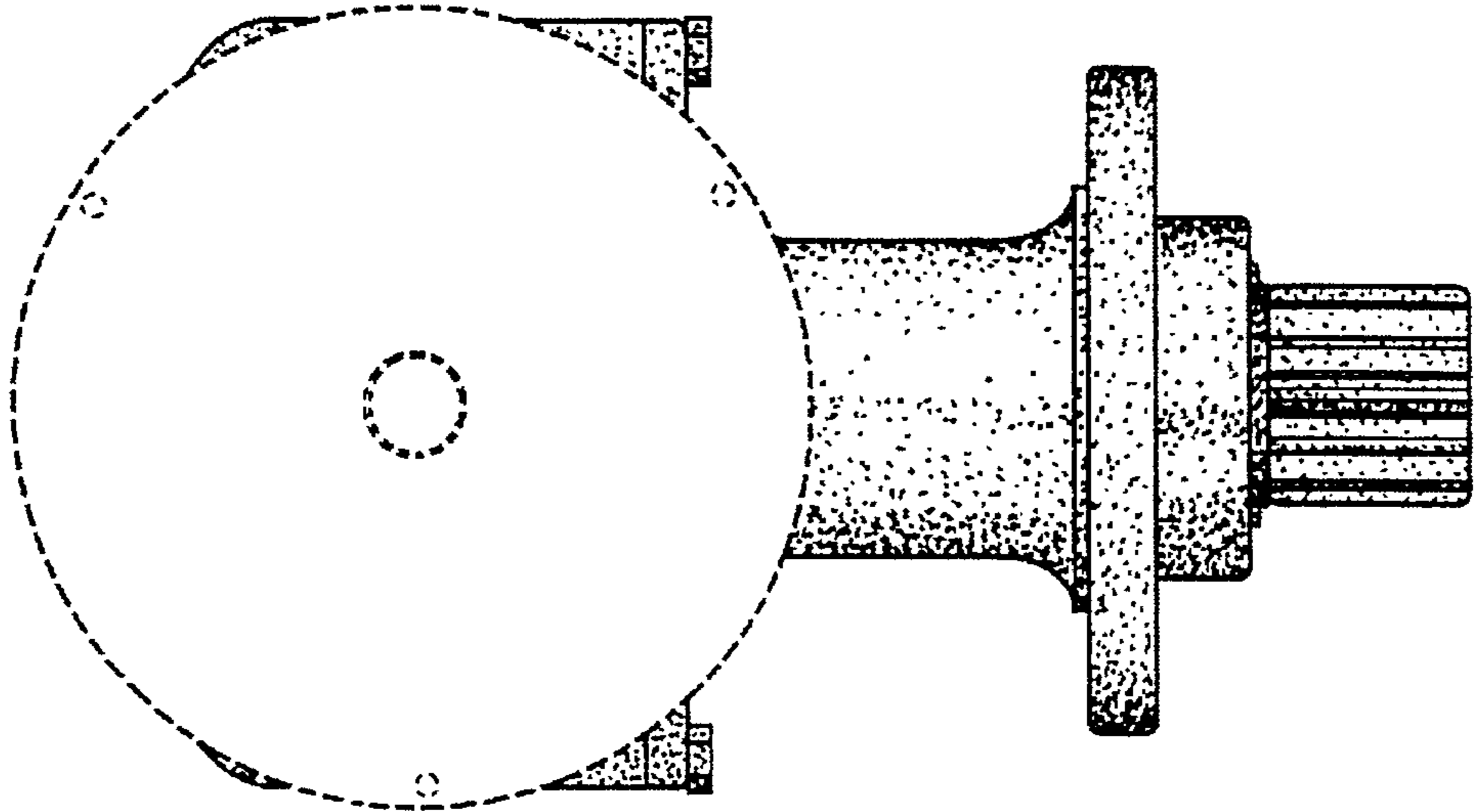


Fig. 8

