



US00D382572S

United States Patent [19]

Greenway et al.

[11] Patent Number: **Des. 382,572**

[45] Date of Patent: ****Aug. 19, 1997**

[54] **REFRIGERATOR DOOR COMPARTMENT**

[75] Inventors: **Philip E. Greenway**, Guelph, Canada;
Doug D. Greenway, Findlay, Ohio

[73] Assignee: **Danby Products Limited**, Guelph, Canada

[**] Term: **14 Years**

[21] Appl. No.: **50,606**

[22] Filed: **Feb. 16, 1996**

[51] LOC (6) Cl. **15-07**

[52] U.S. Cl. **D15/89; D6/515**

[58] Field of Search D6/515, 517, 553;
D7/602; D15/79, 81, 89; 211/49.1, 74,
75, 88, 90, 126, 153; 312/116, 117, 236,
401, 404, 406, 407, 407.1, 408

[56] **References Cited**

U.S. PATENT DOCUMENTS

- D. 309,615 7/1990 Amatt D15/89
- D. 347,922 6/1994 Trevaskis D6/515

- D. 369,708 5/1996 Breen D6/515
- 3,203,553 8/1965 Pendergrast, Jr. et al. 211/126
- 4,213,592 7/1980 Lingenfelter 211/88
- 5,351,841 10/1994 Belokin et al. 211/88

Primary Examiner—Sandra L. Morris

Attorney, Agent, or Firm—Ralph E. Jocke; Michael C. Pophal

[57] **CLAIM**

The ornamental design for a refrigerator door compartment, as shown and described.

DESCRIPTION

FIG. 1 is a front, right side perspective view of a refrigerator door compartment, showing our new design. The broken lines showing other compartments and the frame of the refrigerator door are shown for environmental purposes only and form no part of the claimed design;

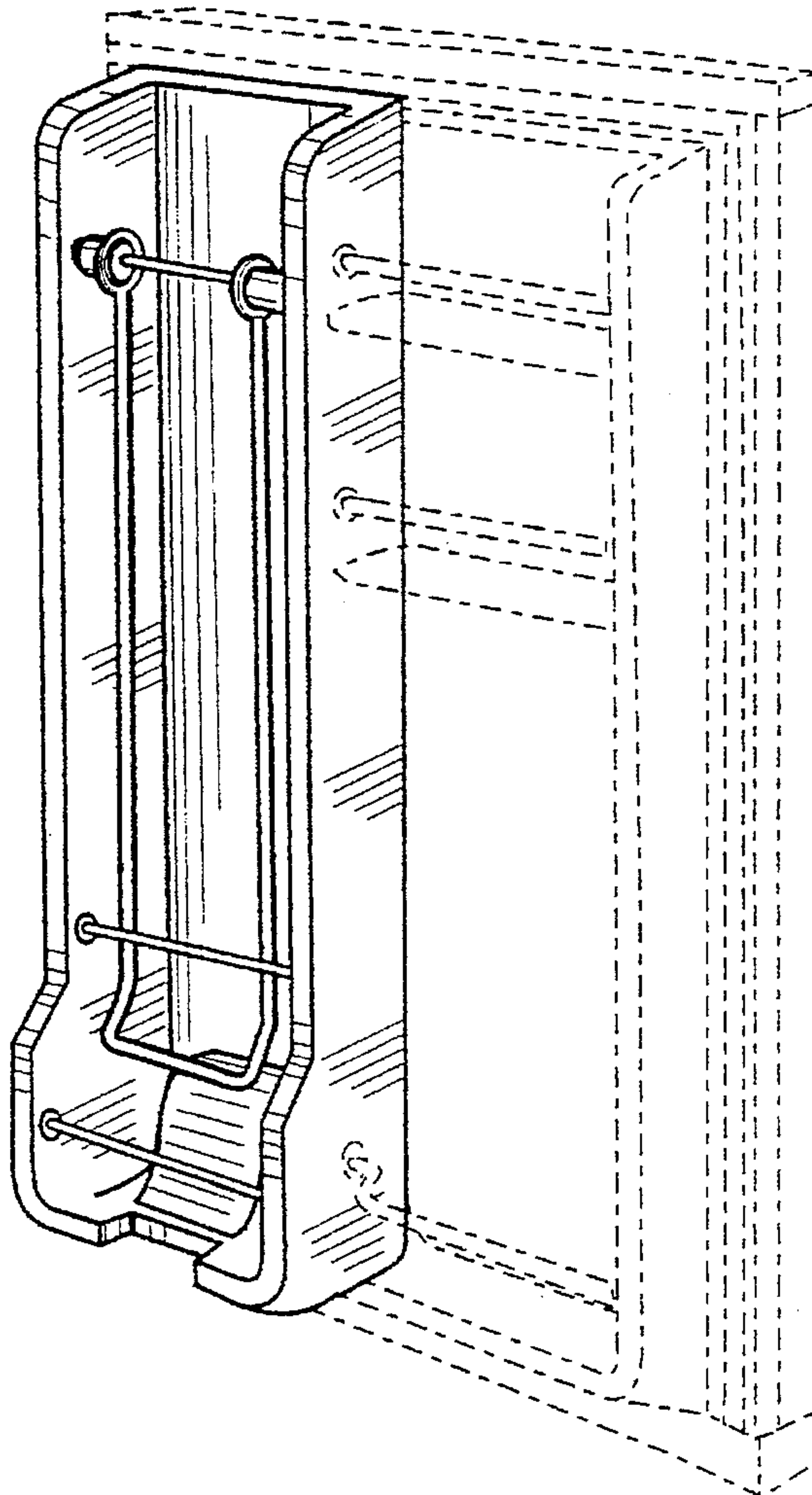
FIG. 2 is a left side elevational view thereof;

FIG. 3 is a front elevational view thereof;

FIG. 4 is a bottom elevational view thereof; and,

FIG. 5 is a top elevational view thereof.

1 Claim, 4 Drawing Sheets



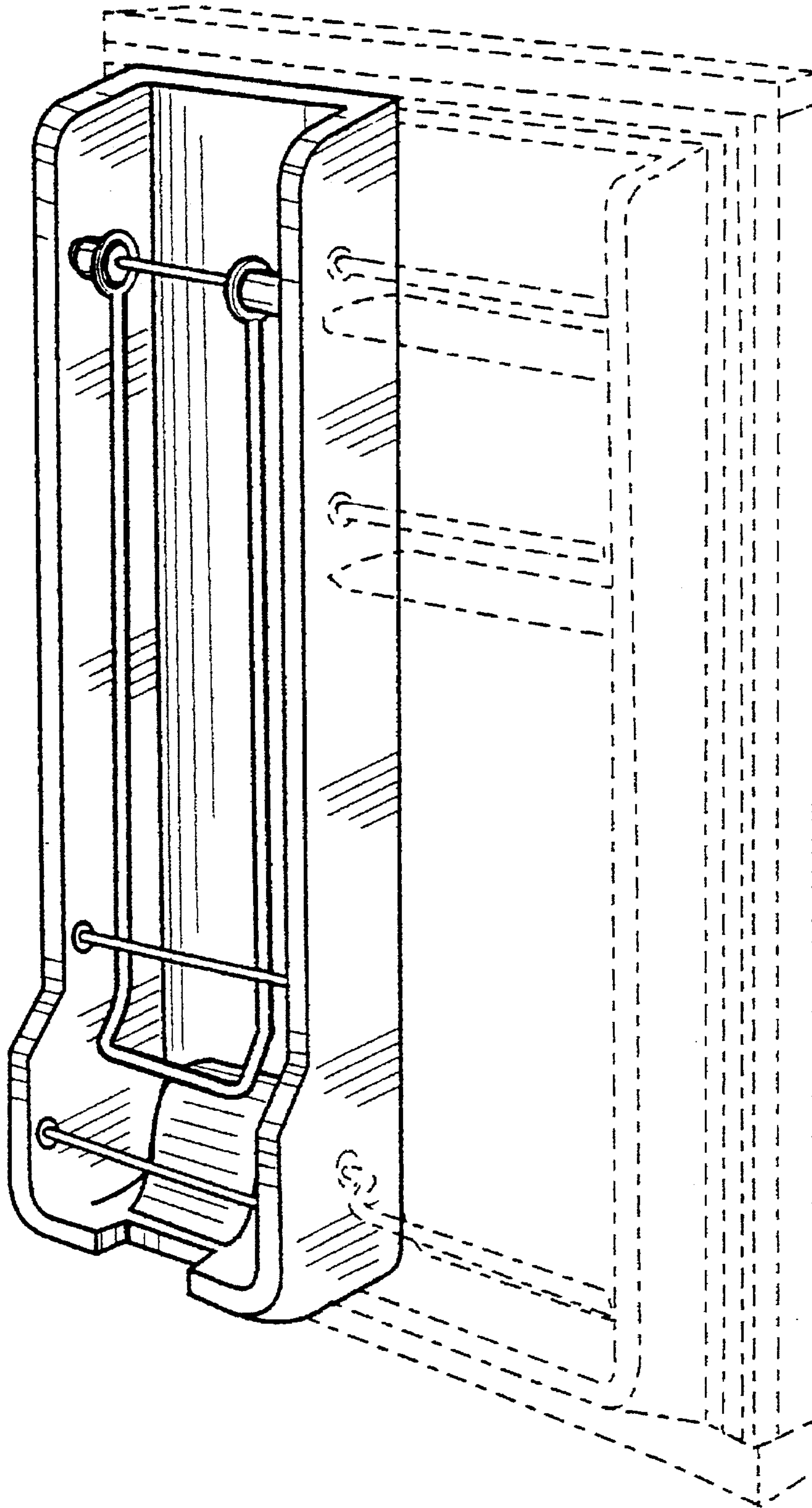


FIG 1

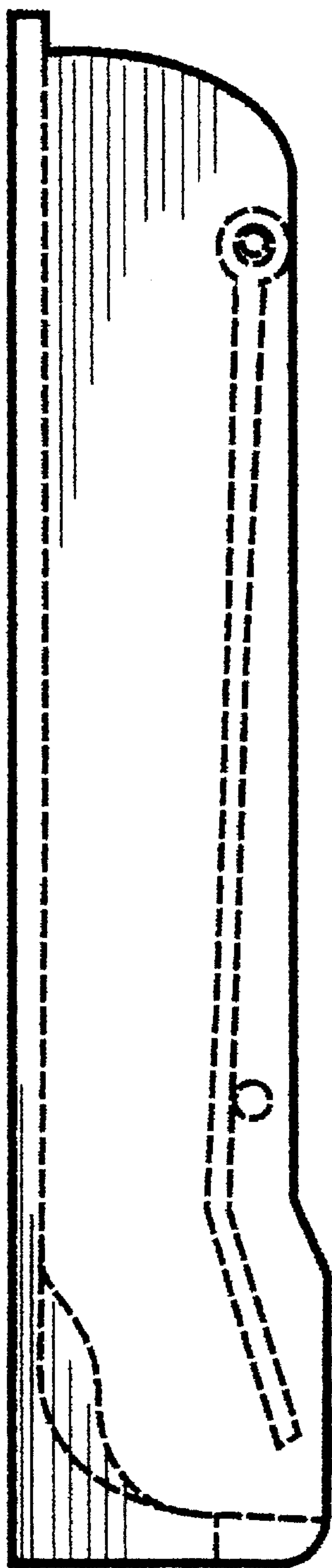


FIG 2

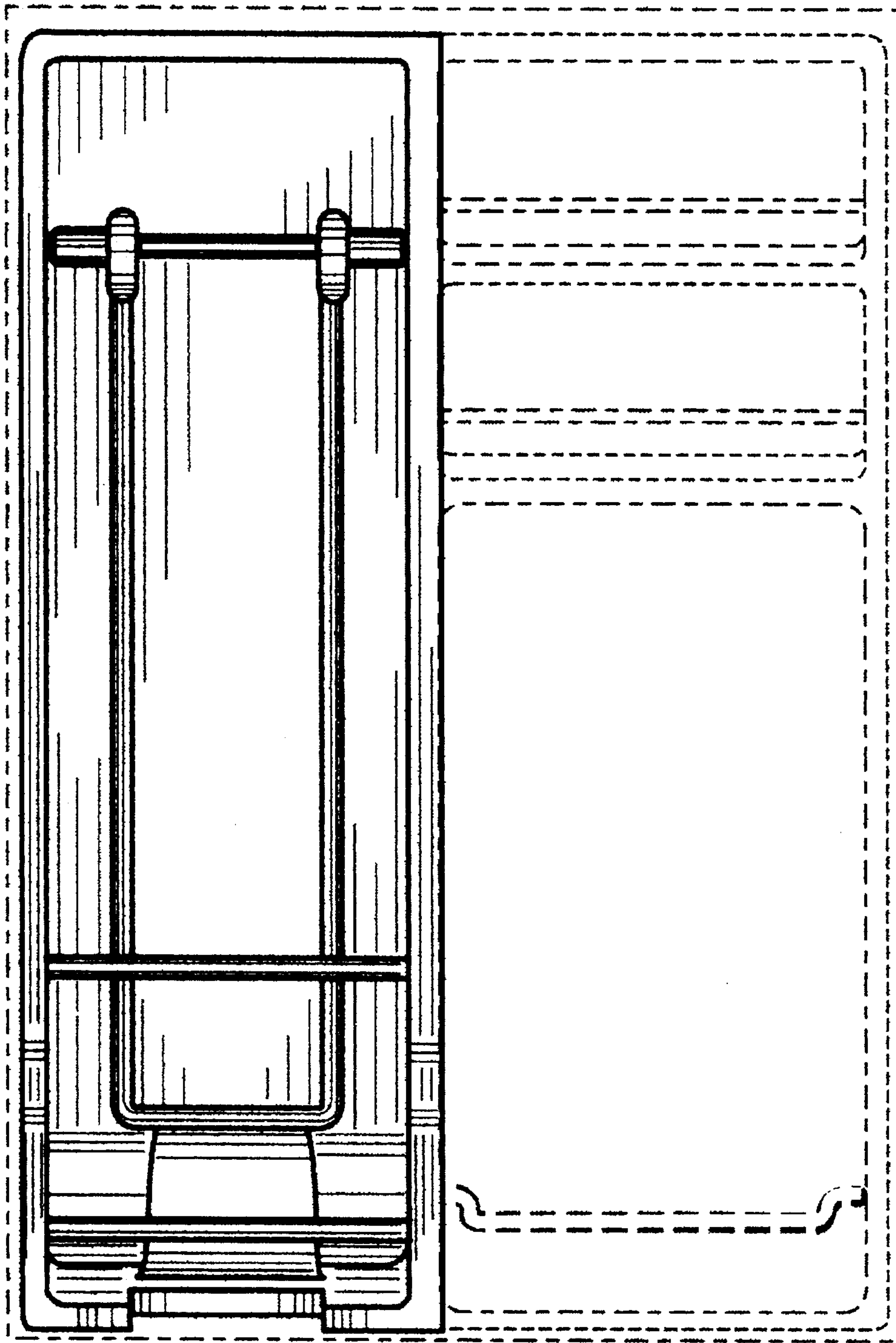


FIG. 3

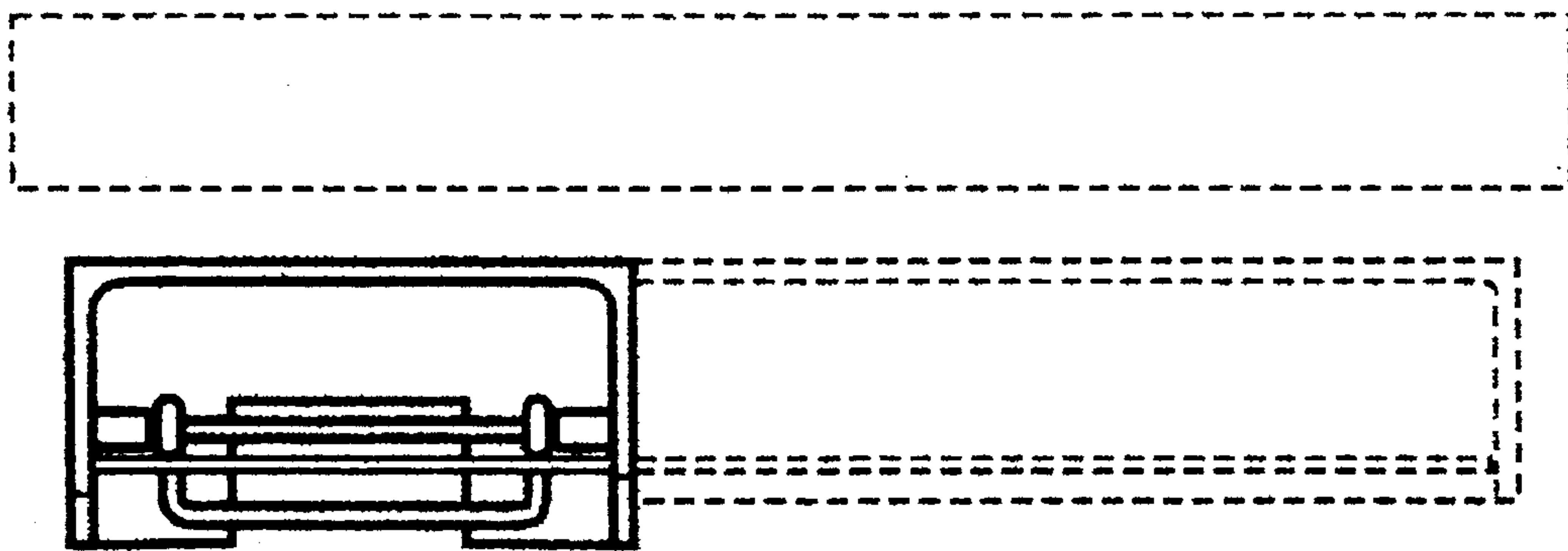


FIG. 4

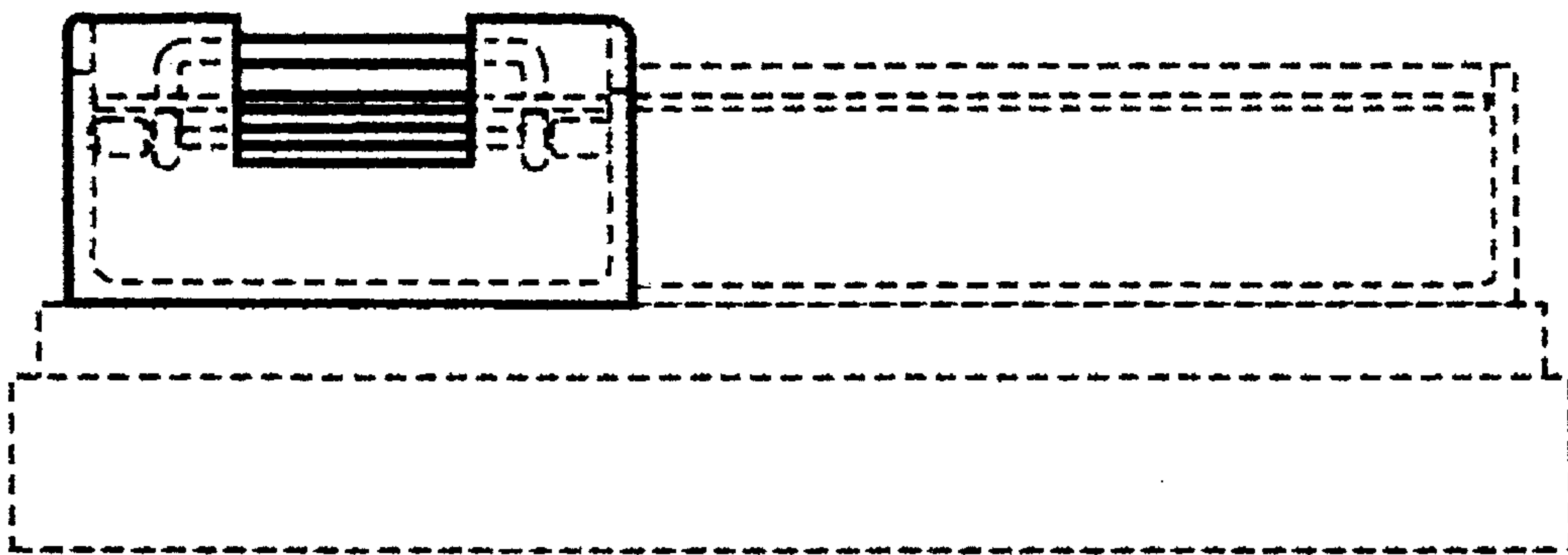


FIG. 5