



US00D382570S

**United States Patent** [19]  
**Bruns**

[11] **Patent Number: Des. 382,570**

[45] **Date of Patent: \*\*Aug. 19, 1997**

[54] **SKID SHOE**

[75] **Inventor: Mark W. Bruns, Gibbon, Minn.**

[73] **Assignee: May-Wes Manufacturing, Inc., Gibbon, Minn.**

[\*\*] **Term: 14 Years**

[21] **Appl. No.: 46,505**

[22] **Filed: Nov. 16, 1995**

[51] **LOC (6) Cl. .... 15-03**

[52] **U.S. Cl. .... D15/28**

[58] **Field of Search .... D15/28, 29, 32; 56/13.6, 17.4, 119, DIG. 24**

[56] **References Cited**

**U.S. PATENT DOCUMENTS**

D. 314,778	2/1991	Rabitsch .....	D15/28
4,103,476	8/1978	Osterling et al. ....	56/13.6
4,633,656	1/1987	Willinger .....	56/13.6
4,729,212	3/1988	Rabitsch .....	56/119
5,012,635	5/1991	Walters et al. ....	56/13.6
5,090,184	2/1992	Garter et al. ....	56/10.2
5,174,101	12/1992	Rabitsch .....	56/17.4

*Primary Examiner*—Sandra L. Morris  
*Attorney, Agent, or Firm*—Burd, Bartz & Gutenkauf

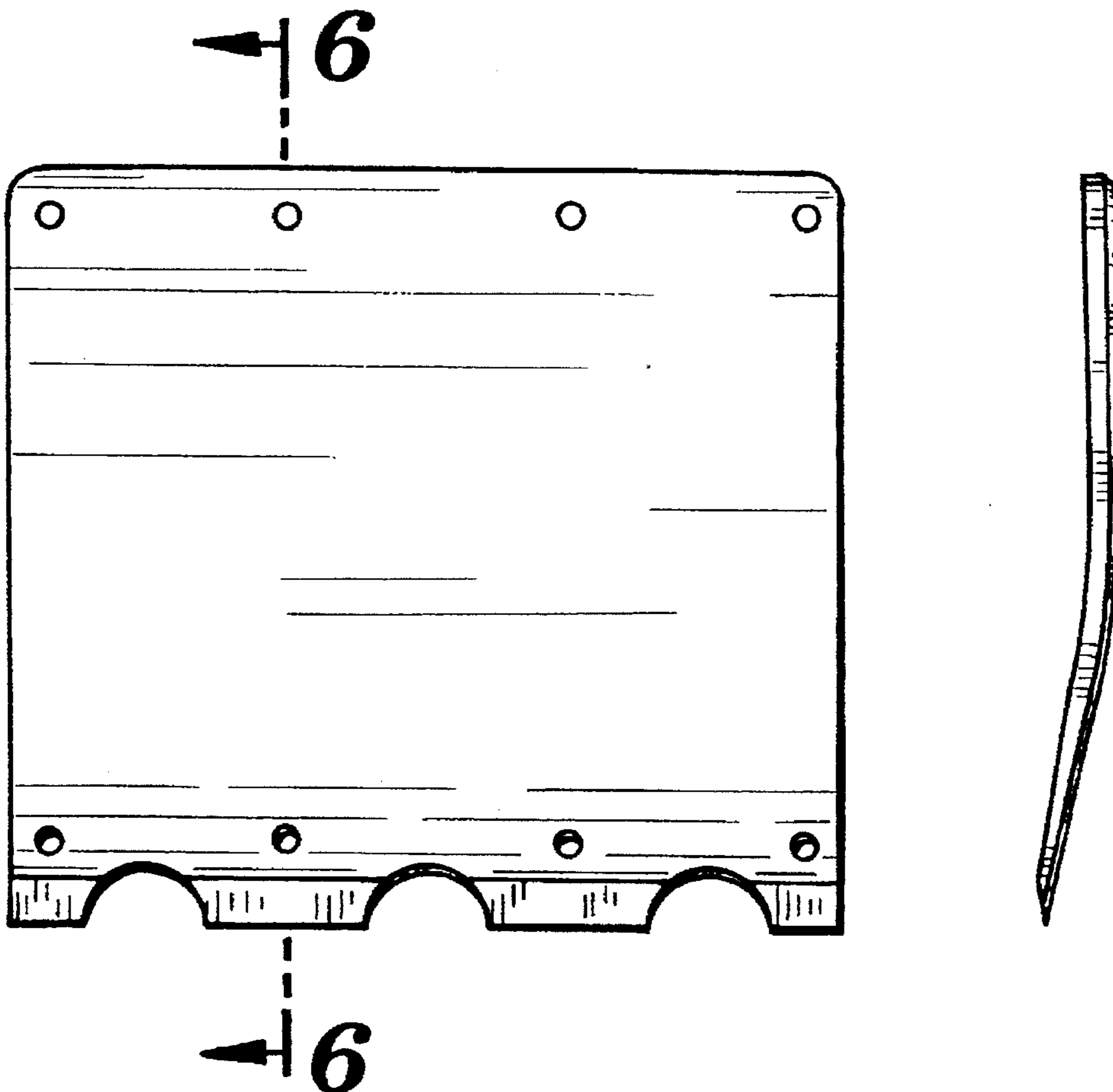
[57] **CLAIM**

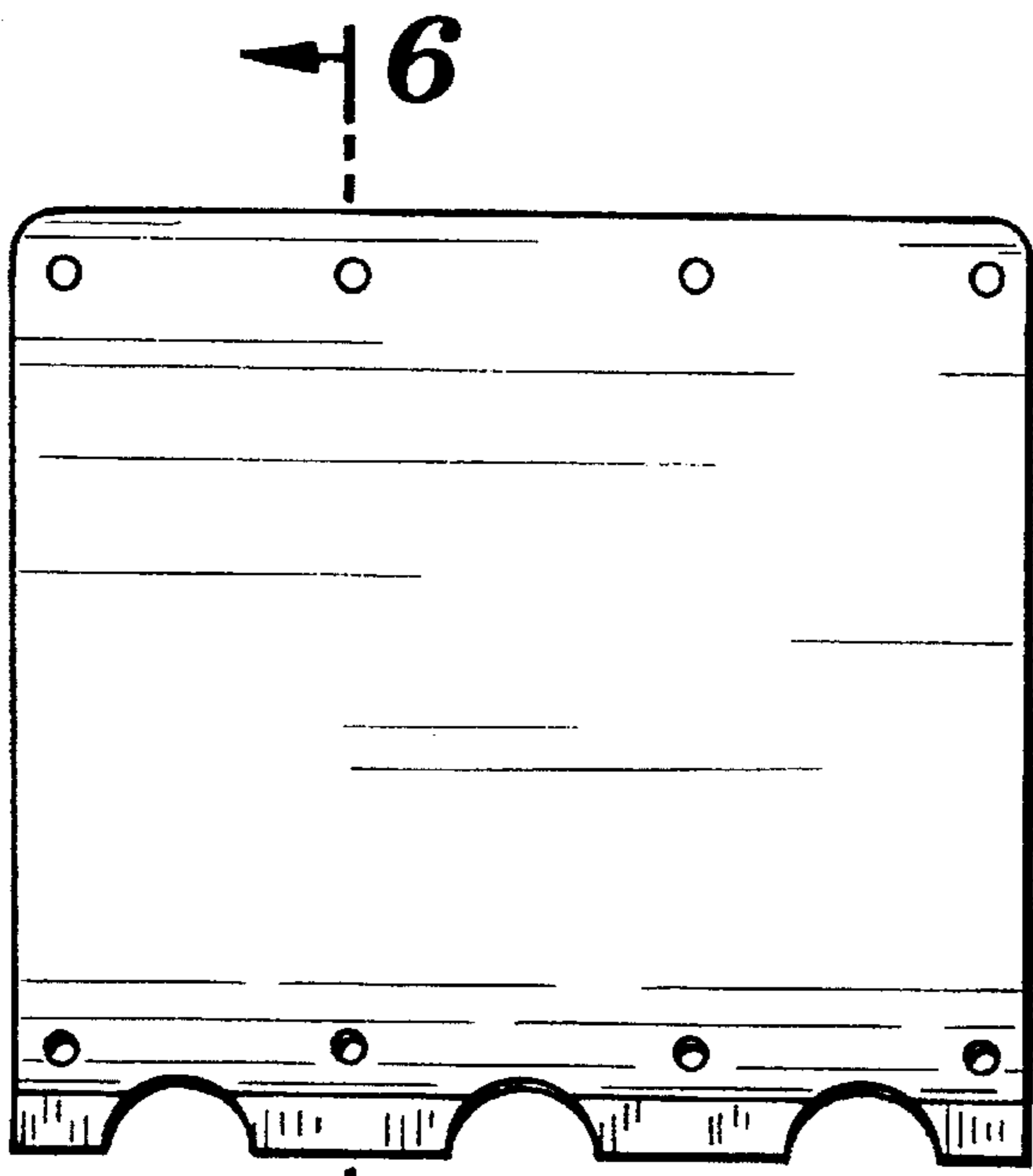
The ornamental design for a skid shoe, as shown and described.

**DESCRIPTION**

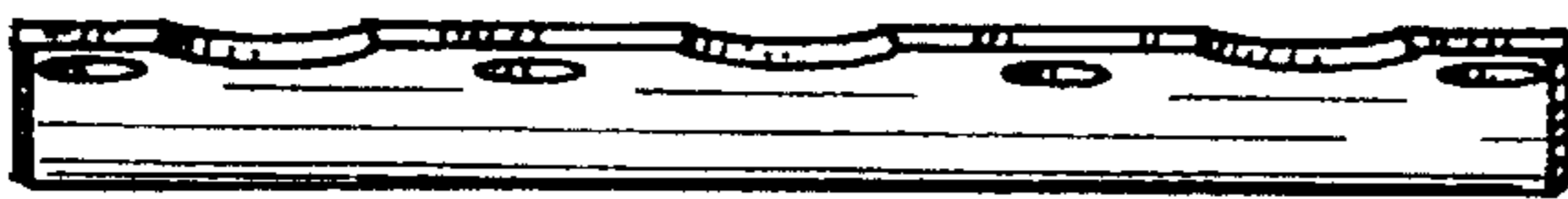
FIG. 1 is a top plan view of the skid shoe of my new design; FIG. 2 is a front elevational view thereof; FIG. 3 is a rear elevational view thereof; FIG. 4 is a bottom plan view thereof; FIG. 5 is a side elevational view thereof, the opposite side being a mirror image thereof; FIG. 6 is an enlarged sectional view taken along the line 6—6 of FIG. 1; FIG. 7 is a top plan view of a second embodiment of FIG. 1; FIG. 8 is a front elevational view of FIG. 7; FIG. 9 is a rear elevational view of FIG. 7; FIG. 10 is a bottom plan view of FIG. 7; FIG. 11 is a side elevational view of FIG. 7, the opposite side being a mirror image thereof; and, FIG. 12 is an enlarged sectional view taken along the line 12—12.

**1 Claim, 2 Drawing Sheets**





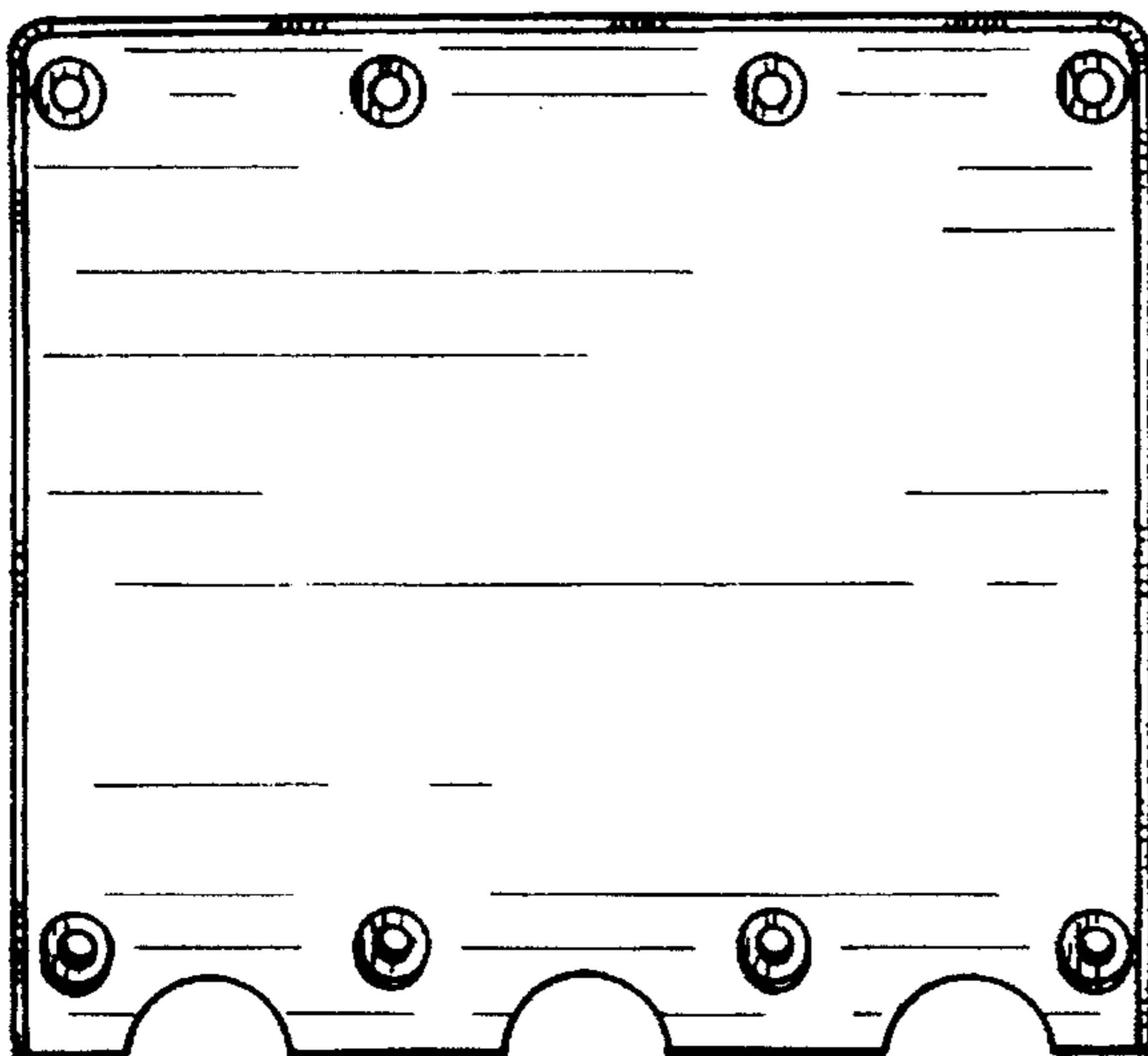
6  
**FIG. 1**



**FIG. 2**



**FIG. 3**



**FIG. 4**



**FIG. 5**



**FIG. 6**

