



US00D382566S

United States Patent [19]

[11] Patent Number: **Des. 382,566**

Schrum et al.

[45] Date of Patent: ****Aug. 19, 1997**

[54] **DUAL DIPOLE ANTENNA**

[75] Inventors: **Arthur R. Schrum**, Johnstown;
Seymour Saslow, Saratoga; **Hillar Oona**, Ganesvoort, all of N.Y.

[73] Assignee: **Espey Mfg. & Electronics Corp.**,
Saratoga Springs, N.Y.

[**] Term: **14 Years**

[21] Appl. No.: **54,118**

[22] Filed: **May 7, 1996**

[51] LOC (6) Cl. **14-99**

[52] U.S. Cl. **D14/230; D14/235**

[58] Field of Search **D14/230, 234,
D14/235; 343/793-795**

[56] **References Cited**

U.S. PATENT DOCUMENTS

D. 153,825	5/1949	Riderman	D14/235
D. 155,113	9/1949	Trebules	D14/235
D. 158,233	4/1950	Trowbridge	D14/235
D. 193,142	7/1962	Liftn	D14/235
D. 269,009	5/1983	Mann et al.	.	
D. 275,100	8/1984	Mann et al.	.	
D. 303,392	9/1989	Tai	D14/235
D. 356,313	3/1995	Mann et al.	D14/230

2,423,648	1/1947	Hansell	.	
2,530,098	5/1950	Van Atta	.	
2,632,107	3/1953	Hlivjak	343/793 X
2,703,842	3/1955	Lewis	.	
2,850,735	9/1958	Harris	.	
2,978,703	4/1961	Kuecken	343/793 X
3,178,713	4/1965	Yang	.	
4,647,943	3/1987	Metcalf	.	
4,801,946	1/1989	Matz, Jr.	.	
4,860,022	8/1989	Dobroski	.	
5,291,212	3/1994	Cox	.	

Primary Examiner—Dominic Simone
Attorney, Agent, or Firm—Weingram & Associates

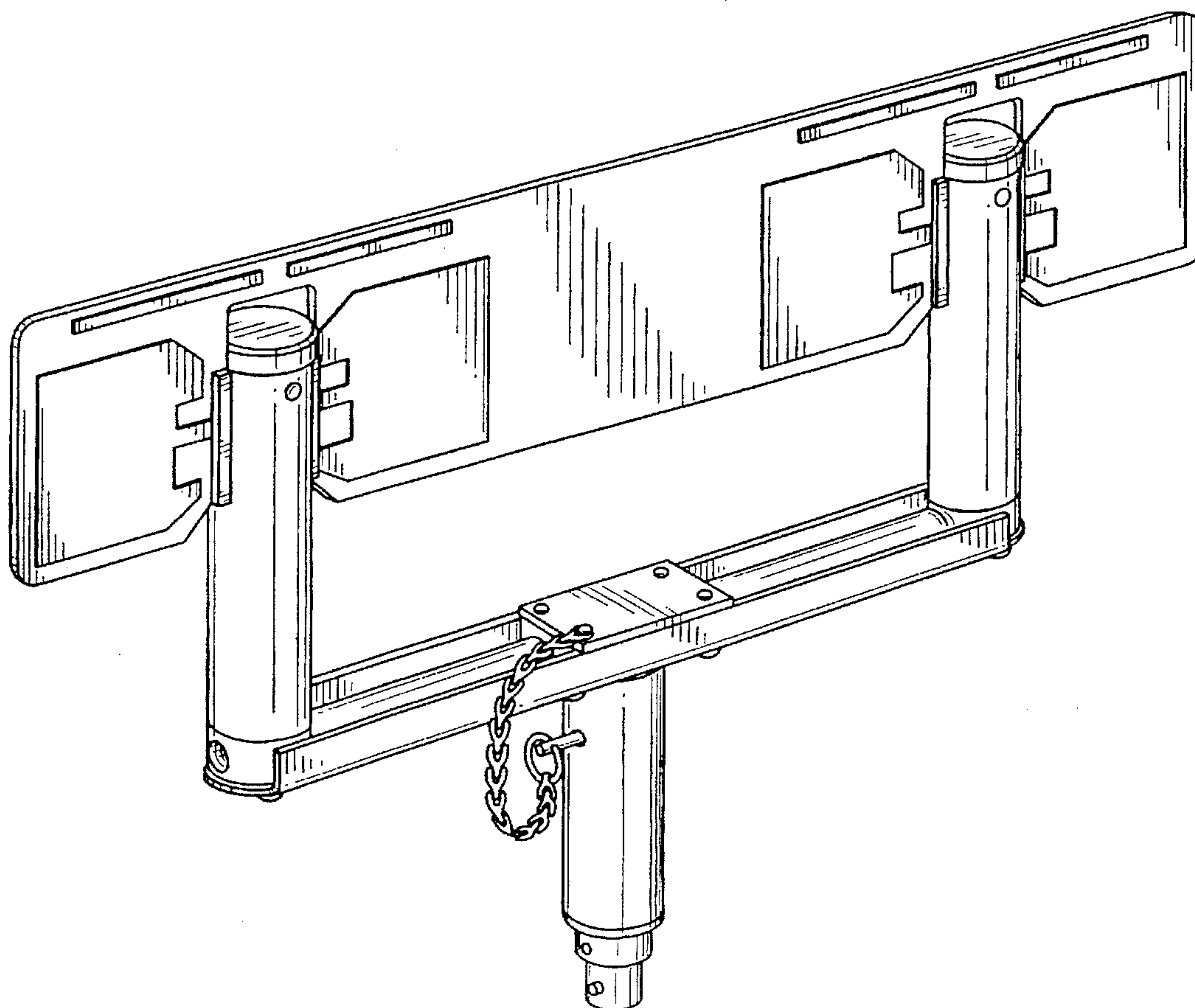
[57] CLAIM

The ornamental design for a dual dipole antenna, as shown and described.

DESCRIPTION

FIG. 1 is a perspective view of a dual dipole antenna showing my new design according to the present invention; FIG. 2 is a front elevational view thereof; FIG. 3 is a rear elevational view thereof; FIG. 4 is a left side elevational view thereof; FIG. 5 is a right side elevational view thereof; FIG. 6 is a top plan view thereof; and, FIG. 7 is a bottom plan view thereof.

1 Claim, 7 Drawing Sheets



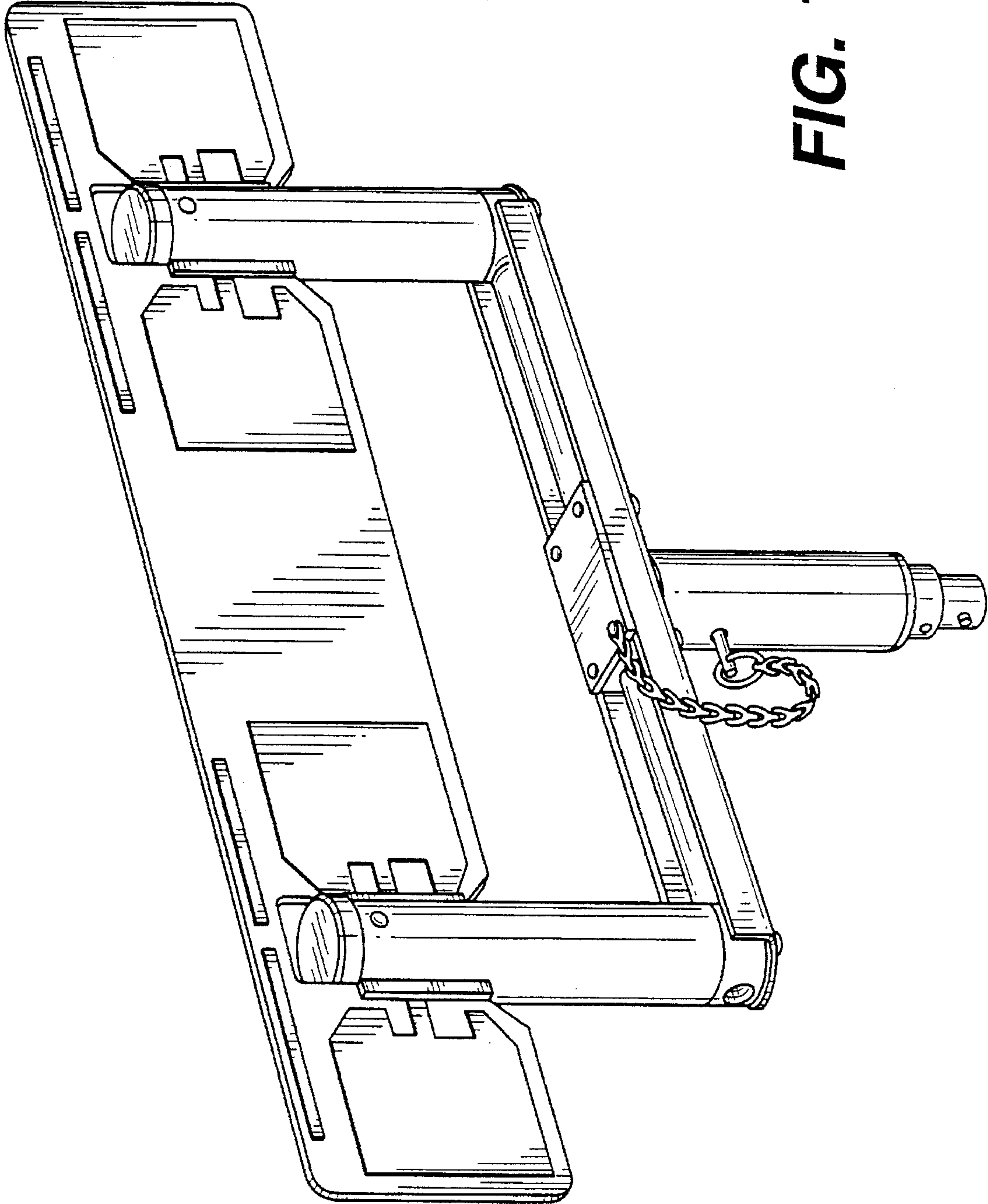


FIG. 1

FIG. 2

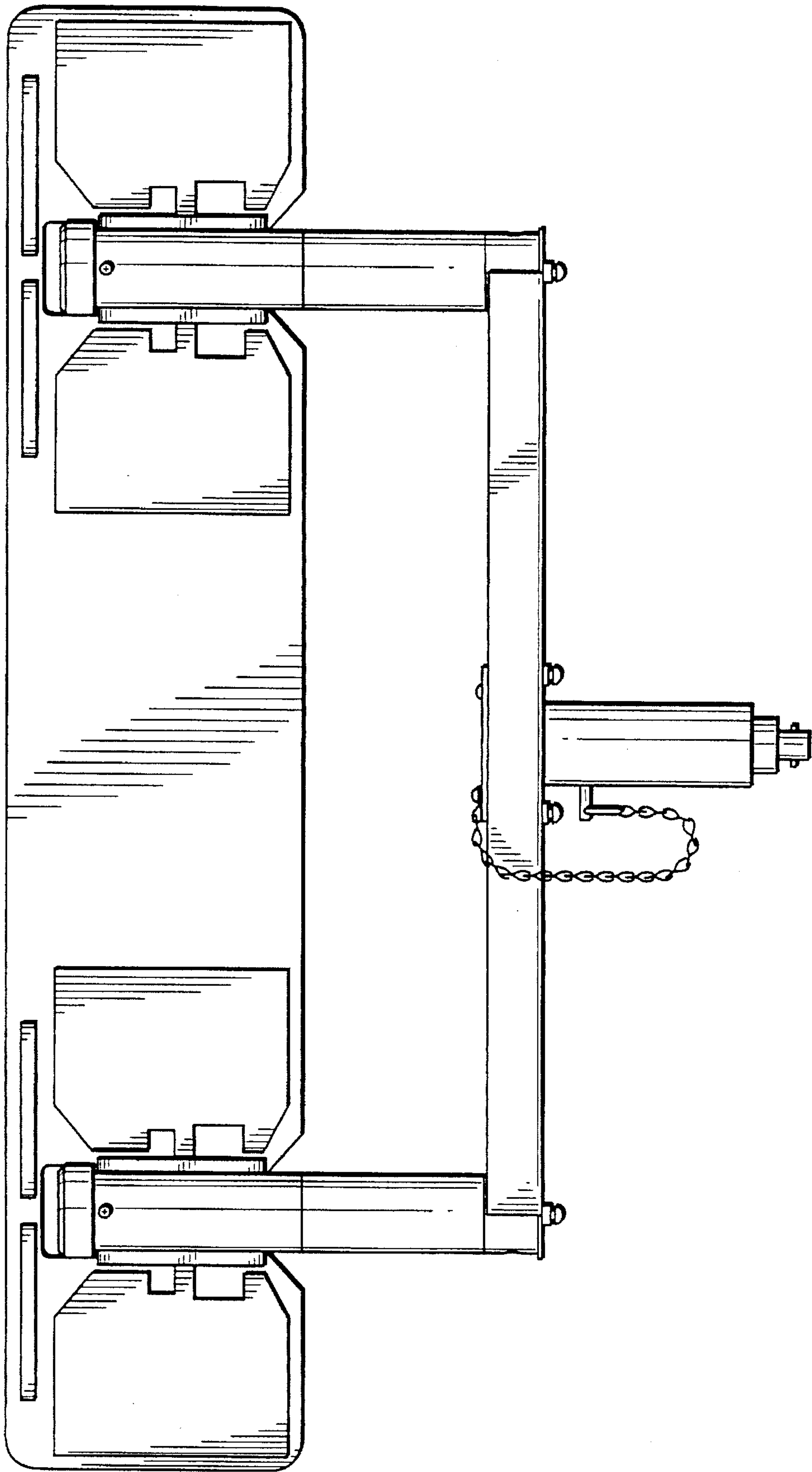


FIG. 3

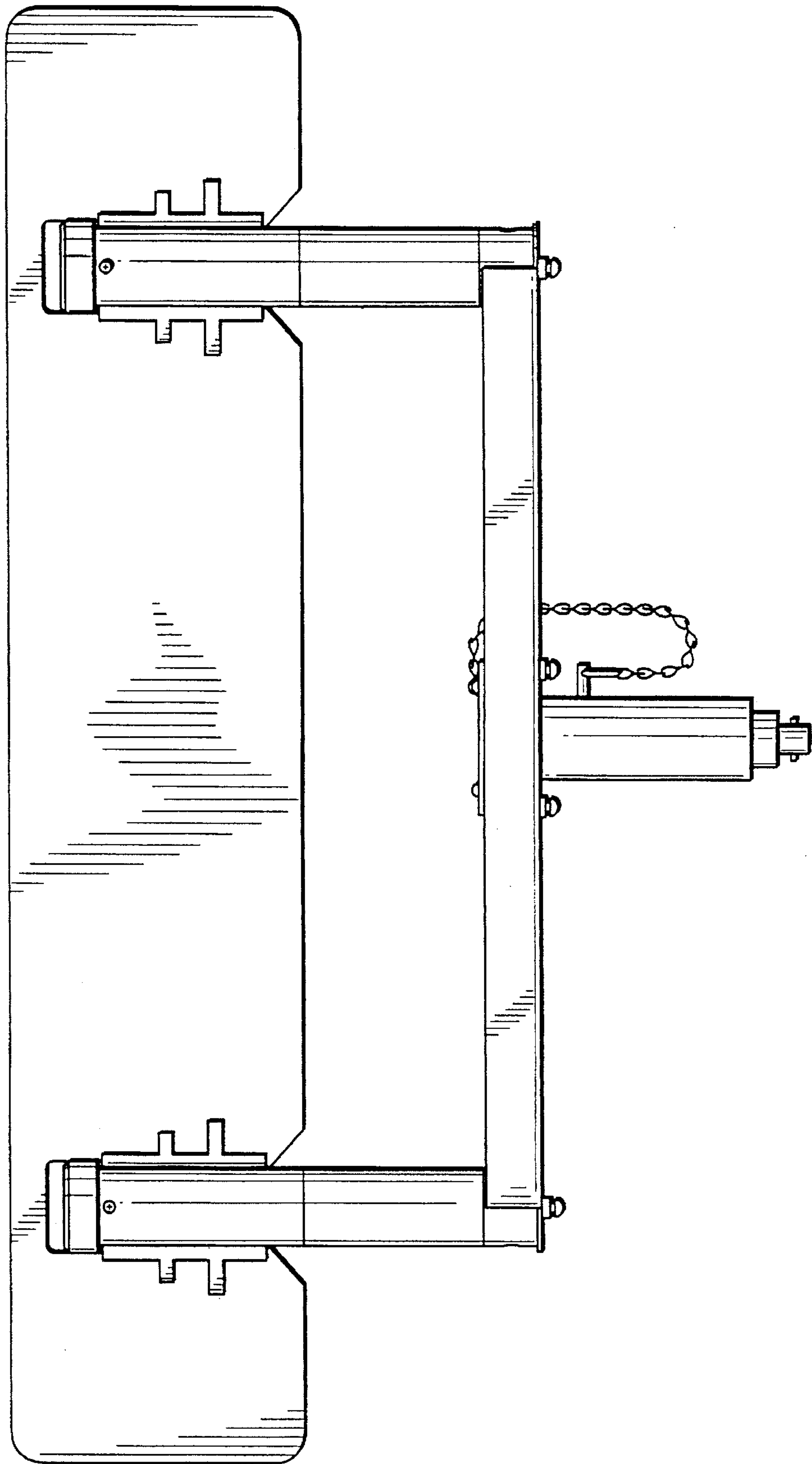


FIG. 4

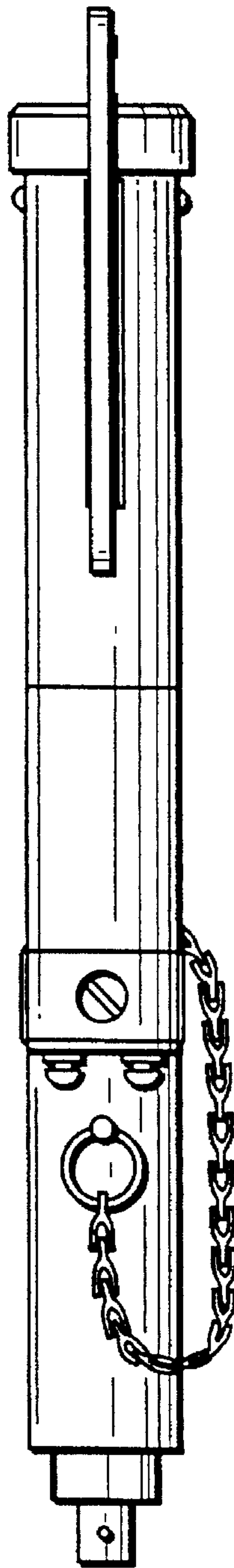


FIG. 5

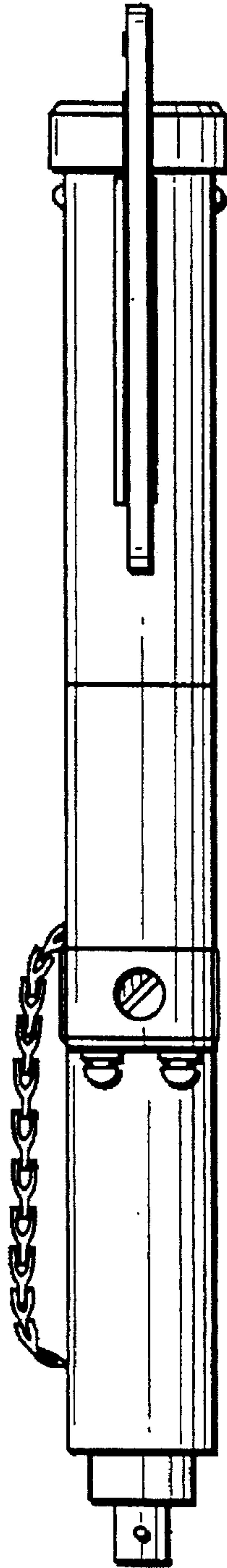


FIG. 6

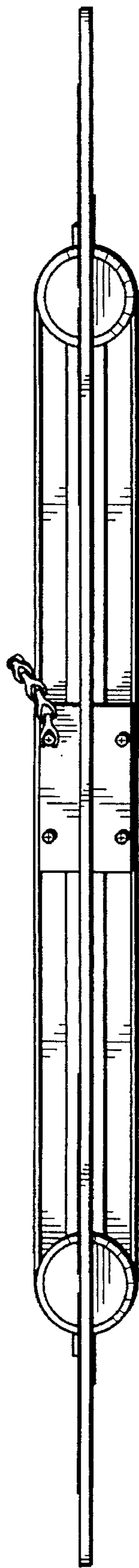


FIG. 7

