



US00D382560S

United States Patent [19]

Khoo et al.

[11] Patent Number: **Des. 382,560**

[45] Date of Patent: ****Aug. 19, 1997**

[54] **PAGER**

D. 364,870 12/1995 Scheid et al. D14/191
D. 371,131 6/1996 Chan et al. D14/191

[75] Inventors: **Bee Lay Khoo**, Johor Bahru, Malaysia;
Charles Alan Actor, Boynton Beach, Fla.

Primary Examiner—Sandra L. Morris
Assistant Examiner—Nanda Bondade
Attorney, Agent, or Firm—Kelly A. Gardner

[73] Assignee: **Motorola, Inc.**, Schaumburg, Ill.

[57] **CLAIM**

[**] Term: **14 Years**

The ornamental design for a pager, as shown and described.

[21] Appl. No.: **52,174**

DESCRIPTION

[22] Filed: **Mar. 25, 1996**

FIG. 1 is a front elevational view of a pager showing our new design;

[51] **LOC (6) Cl.** **14-03**

[52] **U.S. Cl.** **D14/191**

FIG. 2 is a top plan view thereof;

[58] **Field of Search** D14/124, 188,
D14/191, 192, 299; 340/311.1; 455/92,
100, 128, 344

FIG. 3 is a rear elevational view thereof;

FIG. 4 is a right side elevational view thereof;

FIG. 5 is a left side elevational view thereof;

FIG. 6 is a bottom plan view thereof; and,

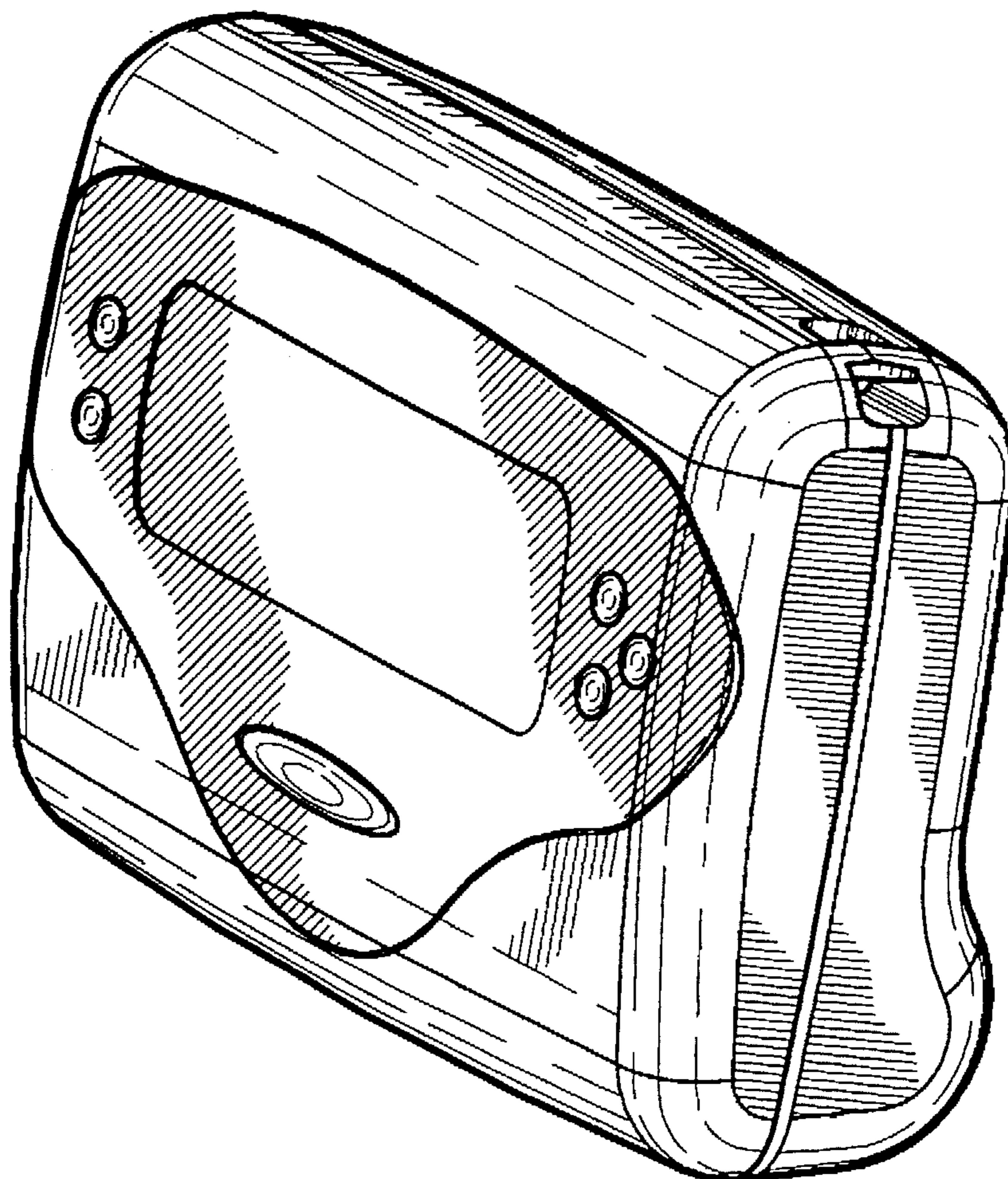
FIG. 7 is a perspective view thereof.

[56] **References Cited**

U.S. PATENT DOCUMENTS

D. 353,377 12/1994 Scheid et al. D14/191

1 Claim, 3 Drawing Sheets



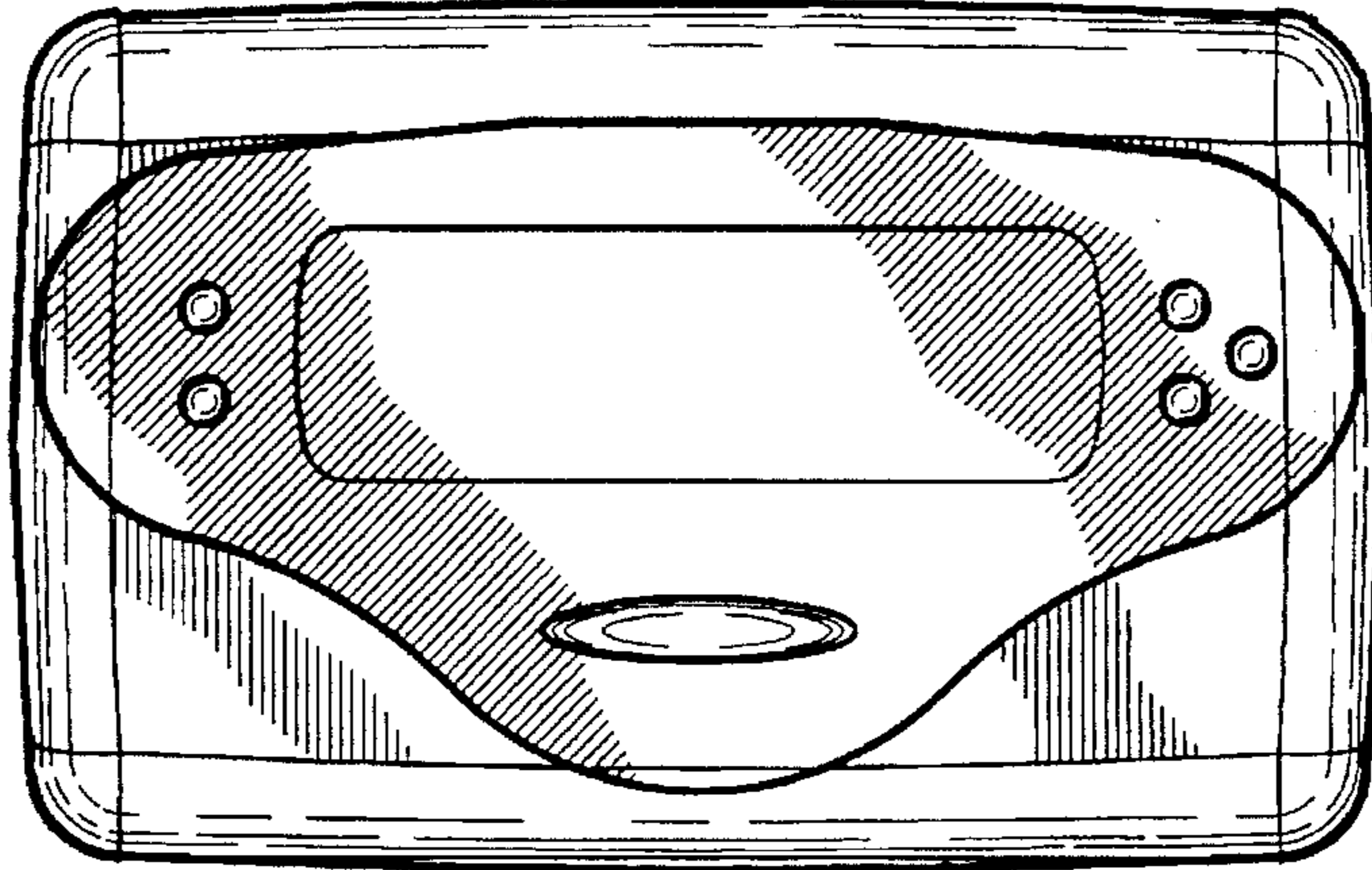


FIG. 1

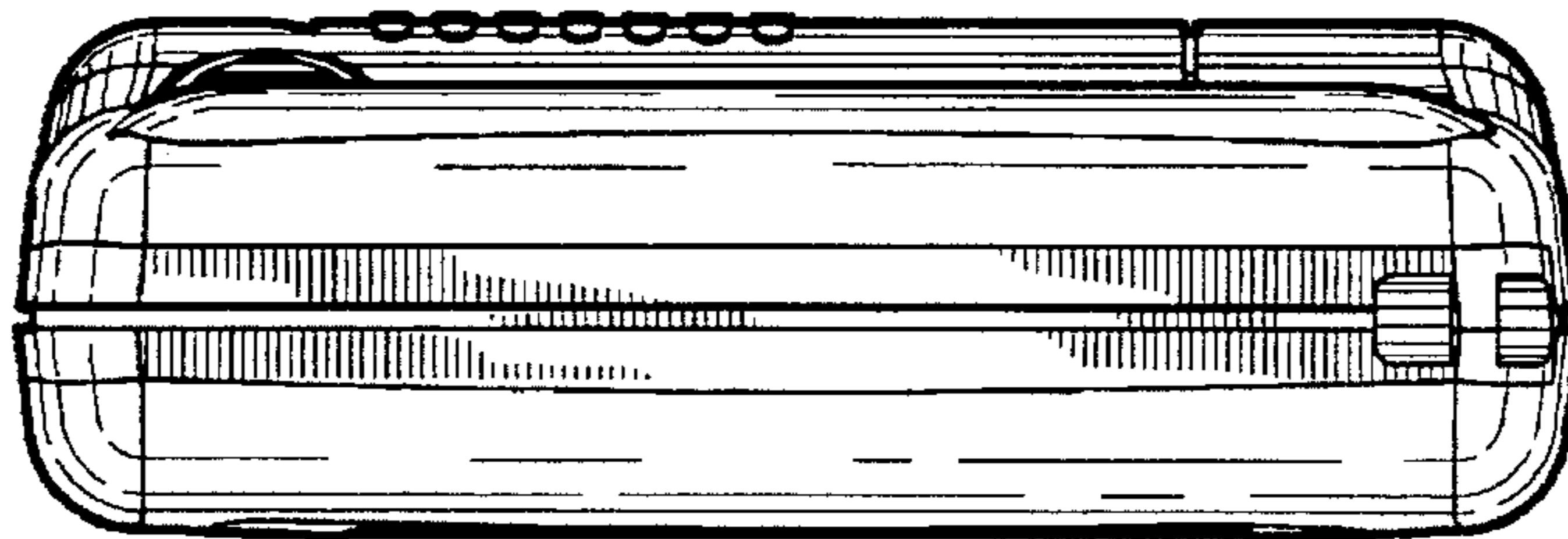


FIG. 2

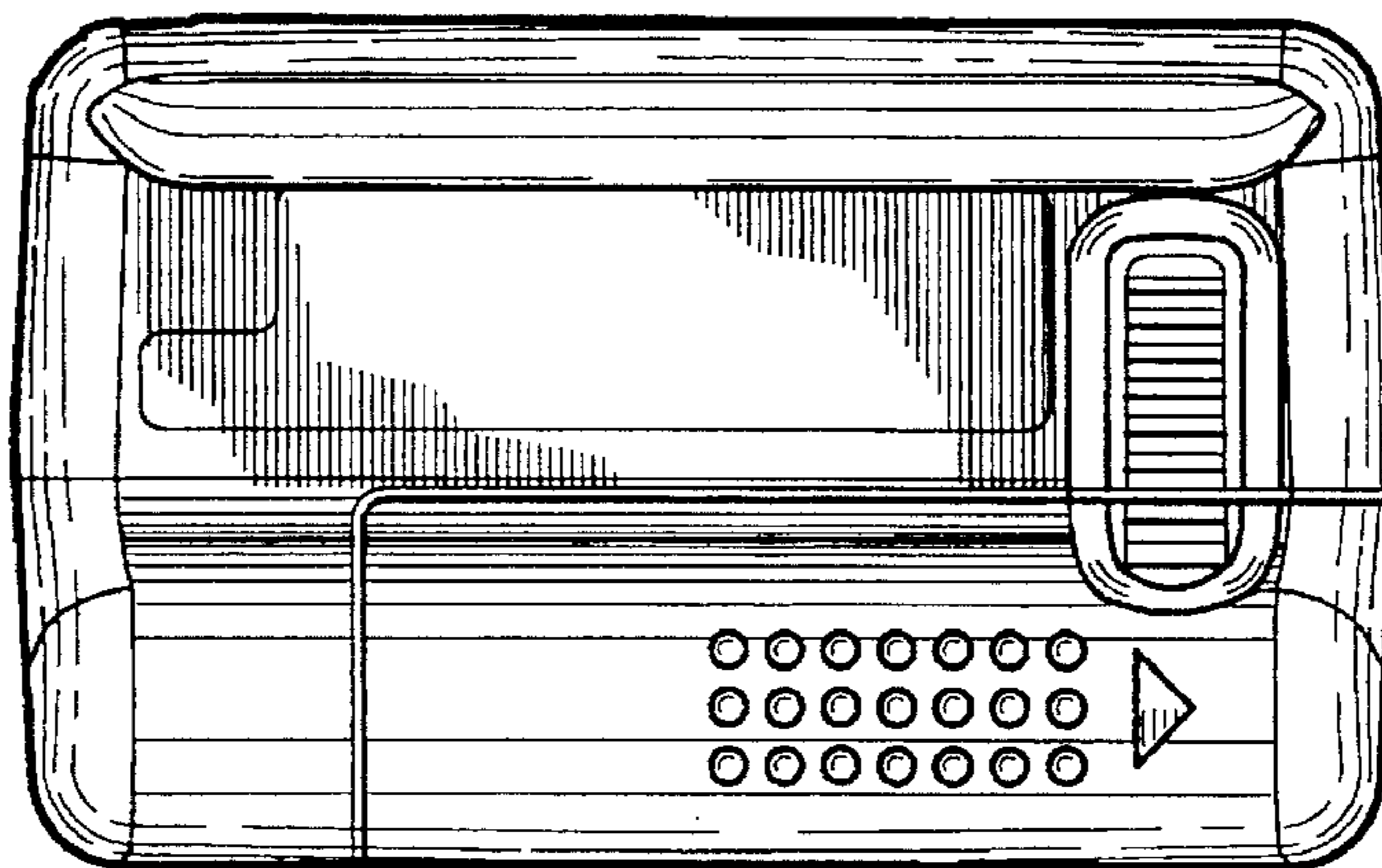


FIG. 3

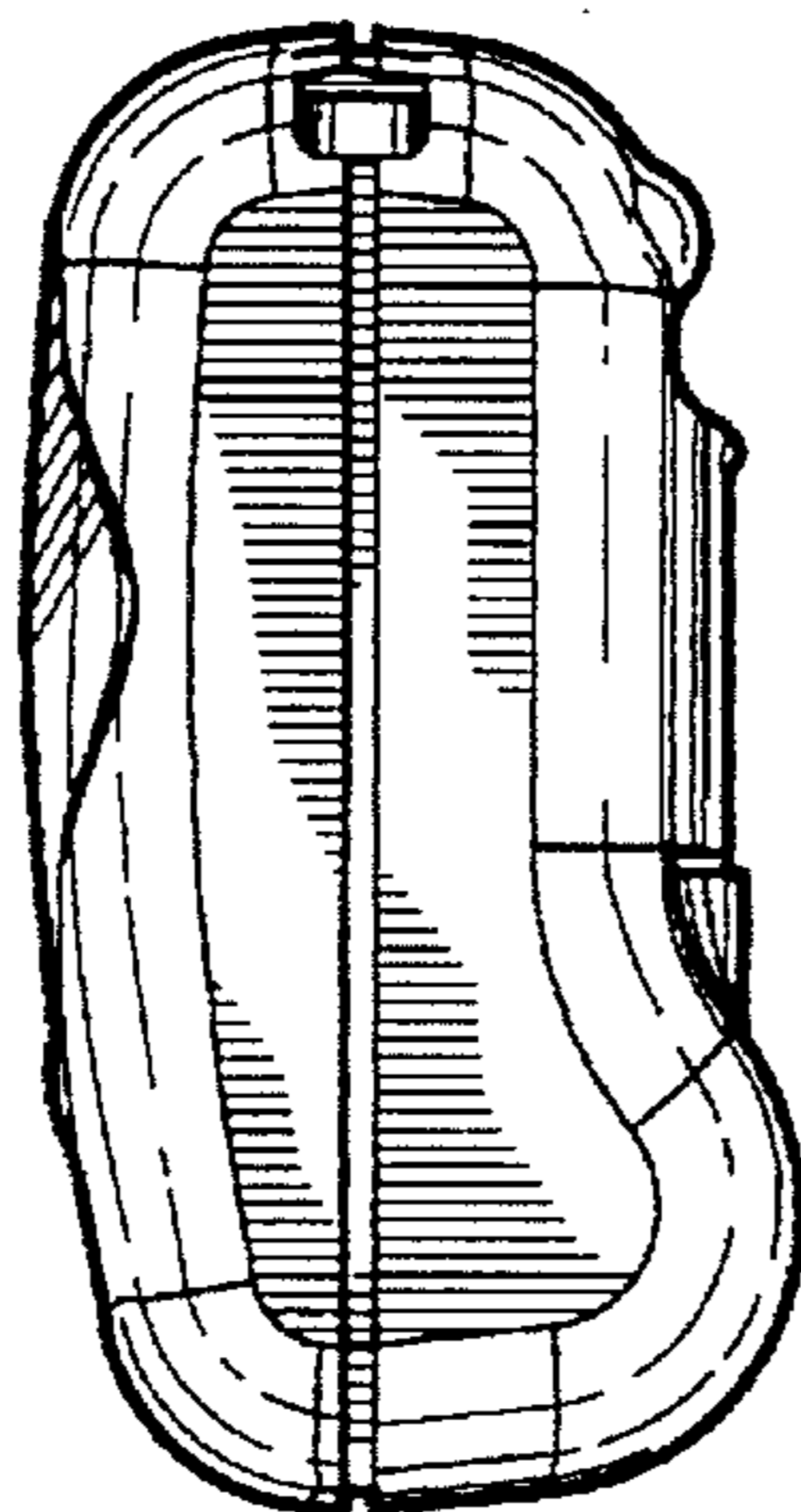


FIG. 4

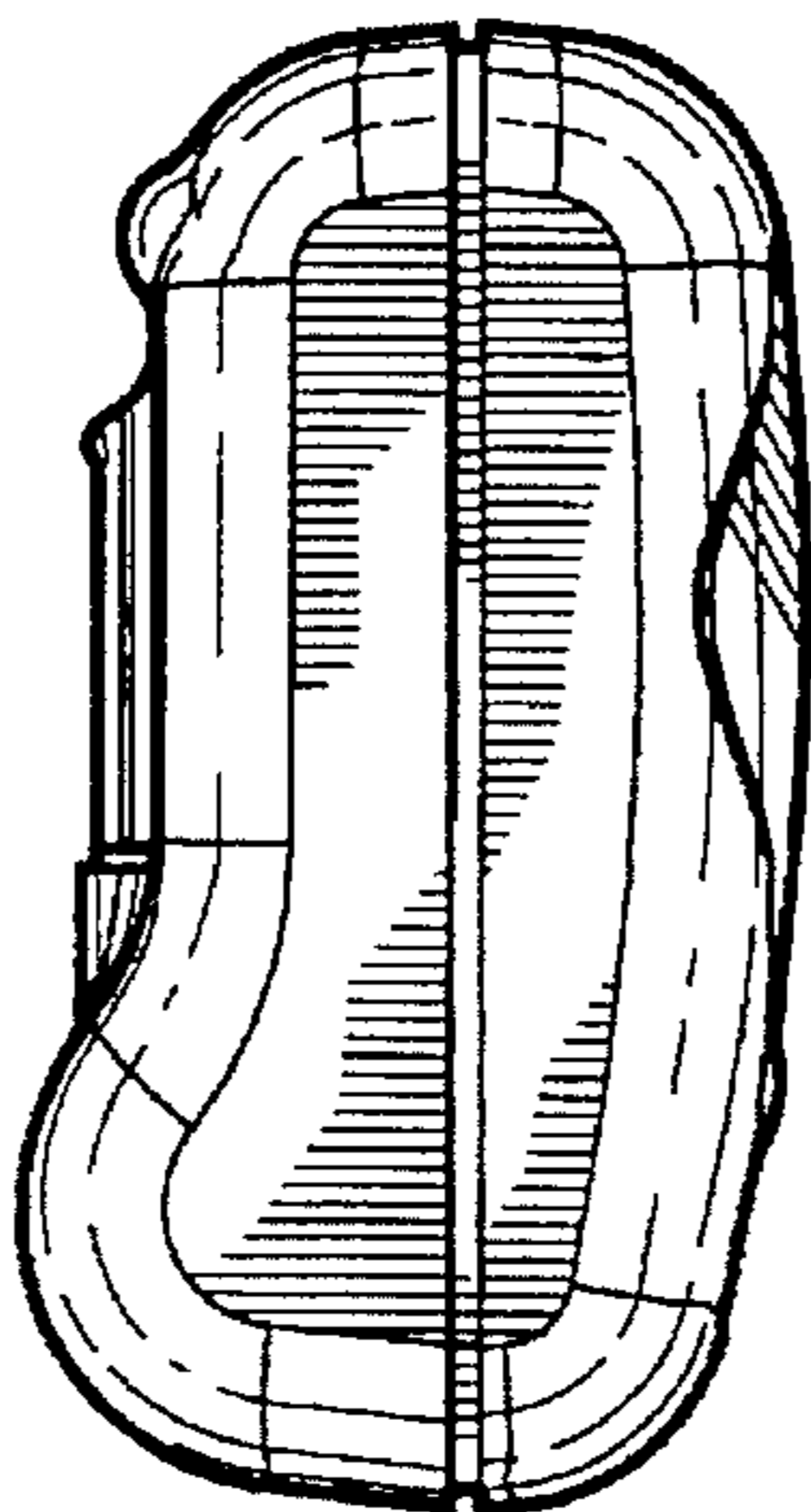


FIG. 5

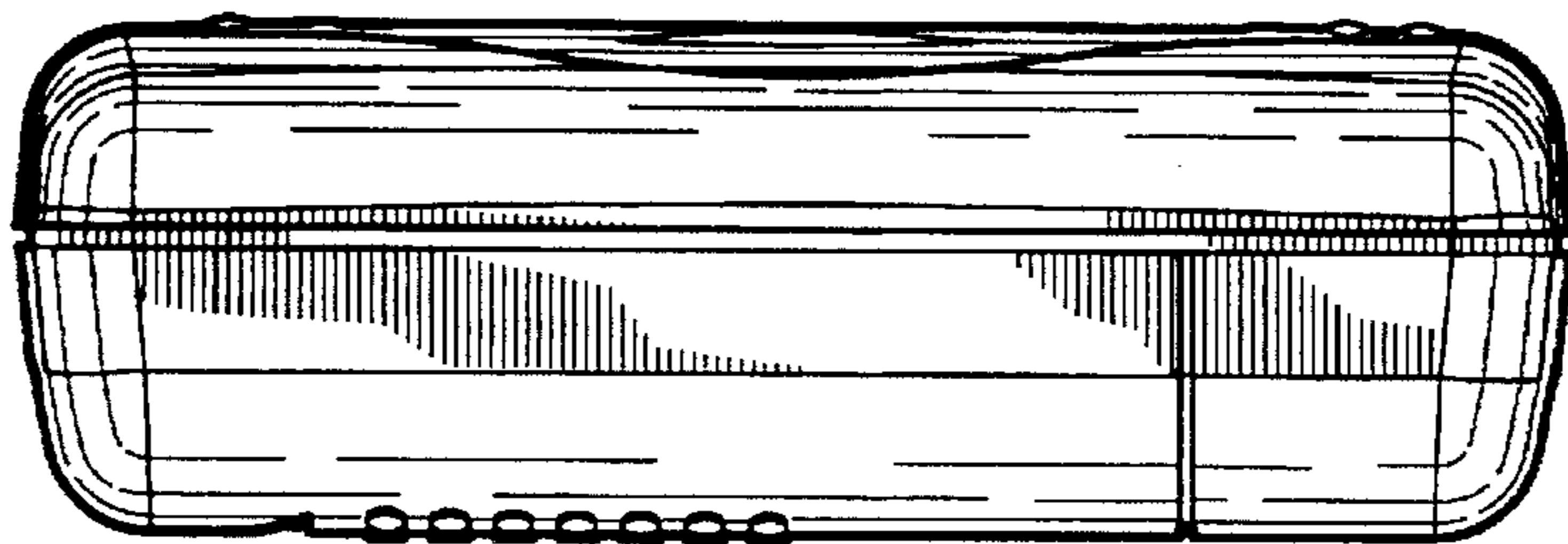


FIG. 6

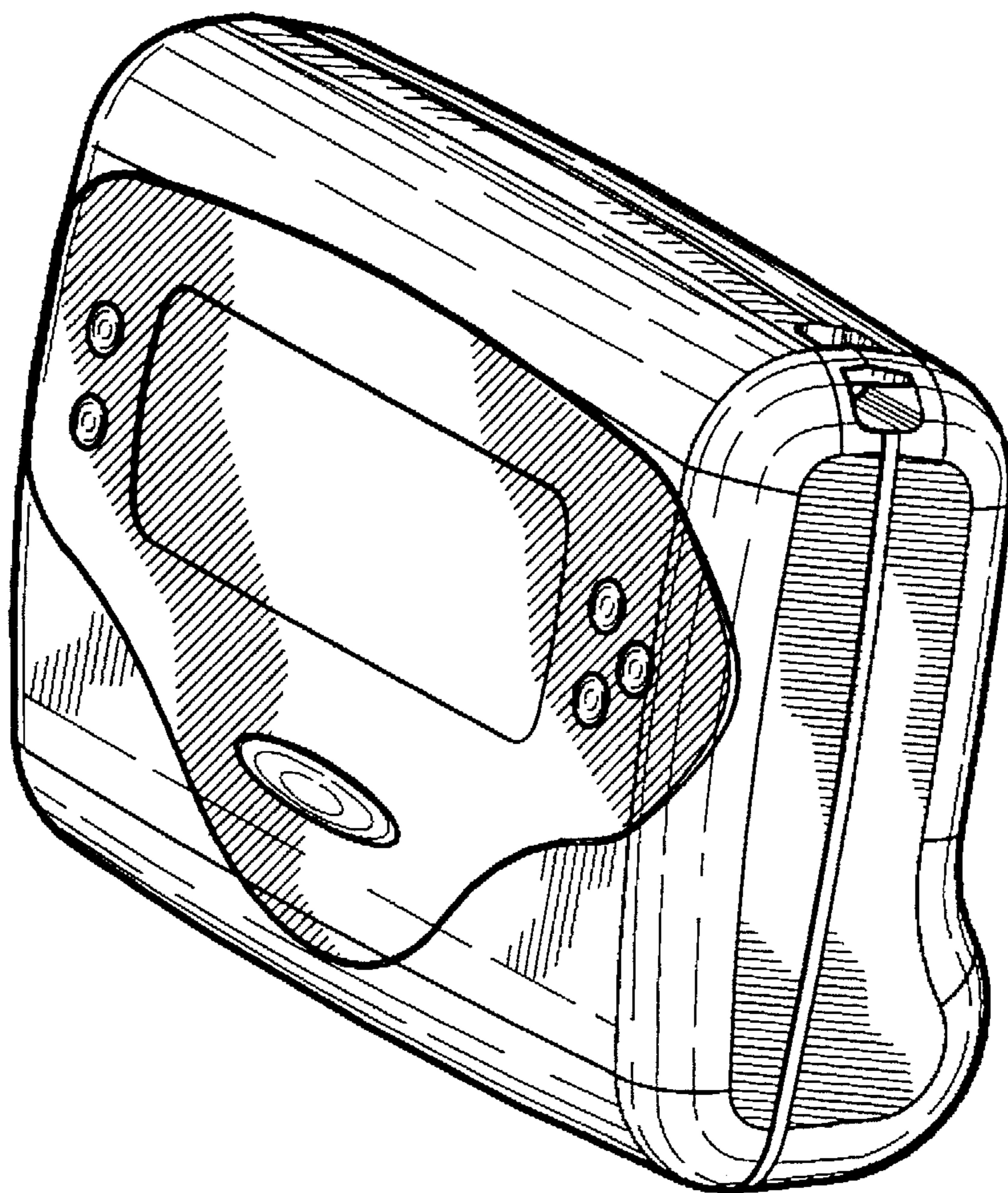


FIG. 7