



US00D382557S

United States Patent [19]

[11] Patent Number: **Des. 382,557**

Solomita et al.

[45] Date of Patent: ****Aug. 19, 1997**

[54] **TELEPHONE BASE**

[75] Inventors: **Anthony Solomita; Lu Ann Paletta**,
both of Norwalk, Conn.

[73] Assignee: **Conair Corporation**, Stamford, Conn.

[**] Term: **14 Years**

[21] Appl. No.: **49,618**

[22] Filed: **Jan. 11, 1996**

[51] LOC (6) Cl. **14-03**

[52] U.S. Cl. **D14/149**

[58] Field of Search D14/140, 141,
D14/142, 144, 149-151, 240, 241, 147-148;
379/419, 420, 428, 440, 434-436, 67, 70,
88; D13/107, 108

[56] **References Cited**

U.S. PATENT DOCUMENTS

- D. 278,434 4/1985 Nestell D14/149
- D. 286,150 10/1986 Cooke et al. D14/149
- D. 289,520 4/1987 Pushelberg D14/151
- D. 296,436 6/1988 Martinez D14/141
- D. 307,008 4/1990 Shaanan et al. D14/149 X
- D. 339,342 9/1993 Chan D14/149
- D. 345,974 4/1994 Biskup et al. D14/149

- D. 347,222 5/1994 Hino et al. D14/149
- D. 349,899 8/1994 Siddoway et al. D14/151
- D. 350,541 9/1994 Chung et al. D14/148 X
- D. 351,164 10/1994 Siddoway et al. D14/149
- D. 352,032 11/1994 Cowan D14/149 X
- D. 359,284 6/1995 Hung D14/148 X
- D. 362,001 9/1995 Roegner D14/151
- D. 363,286 10/1995 Solomita D14/149
- D. 369,803 5/1996 Ka Hung D14/149

Primary Examiner—Jeffrey Asch
Attorney, Agent, or Firm—Ohlandt, Greeley, Ruggiero & Perle

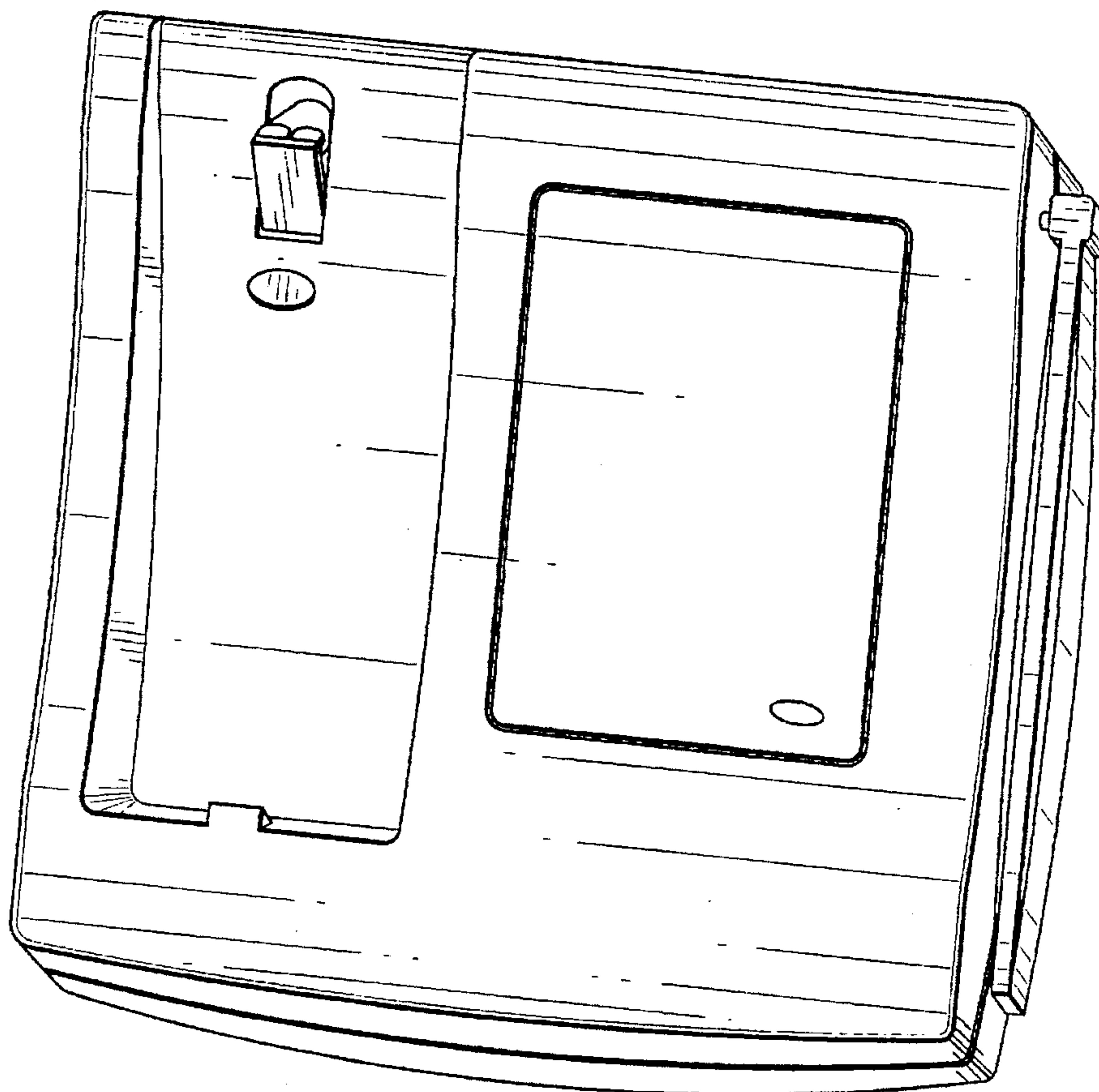
[57] **CLAIM**

The ornamental design for a telephone base, as shown and described.

DESCRIPTION

FIG. 1 is a perspective view of a telephone base, showing our new design;
FIG. 2 is a front elevation view thereof;
FIG. 3 is a rear elevation view thereof;
FIG. 4 is a top plan view thereof;
FIG. 5 is a bottom plan view thereof;
FIG. 6 is a right side elevation view thereof; and,
FIG. 7 is a left side elevation view thereof.

1 Claim, 4 Drawing Sheets



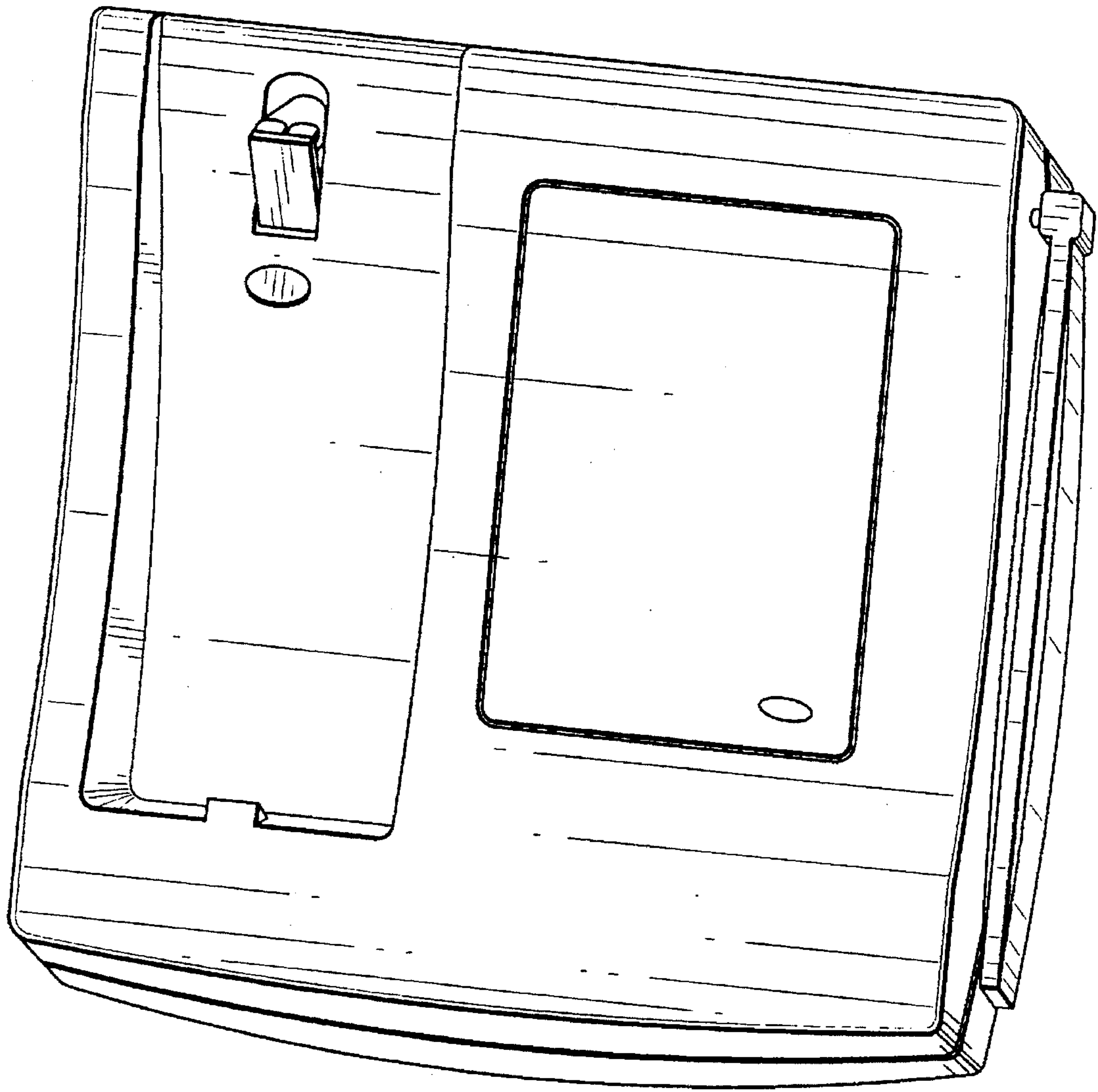


FIG. 1

FIG. 2

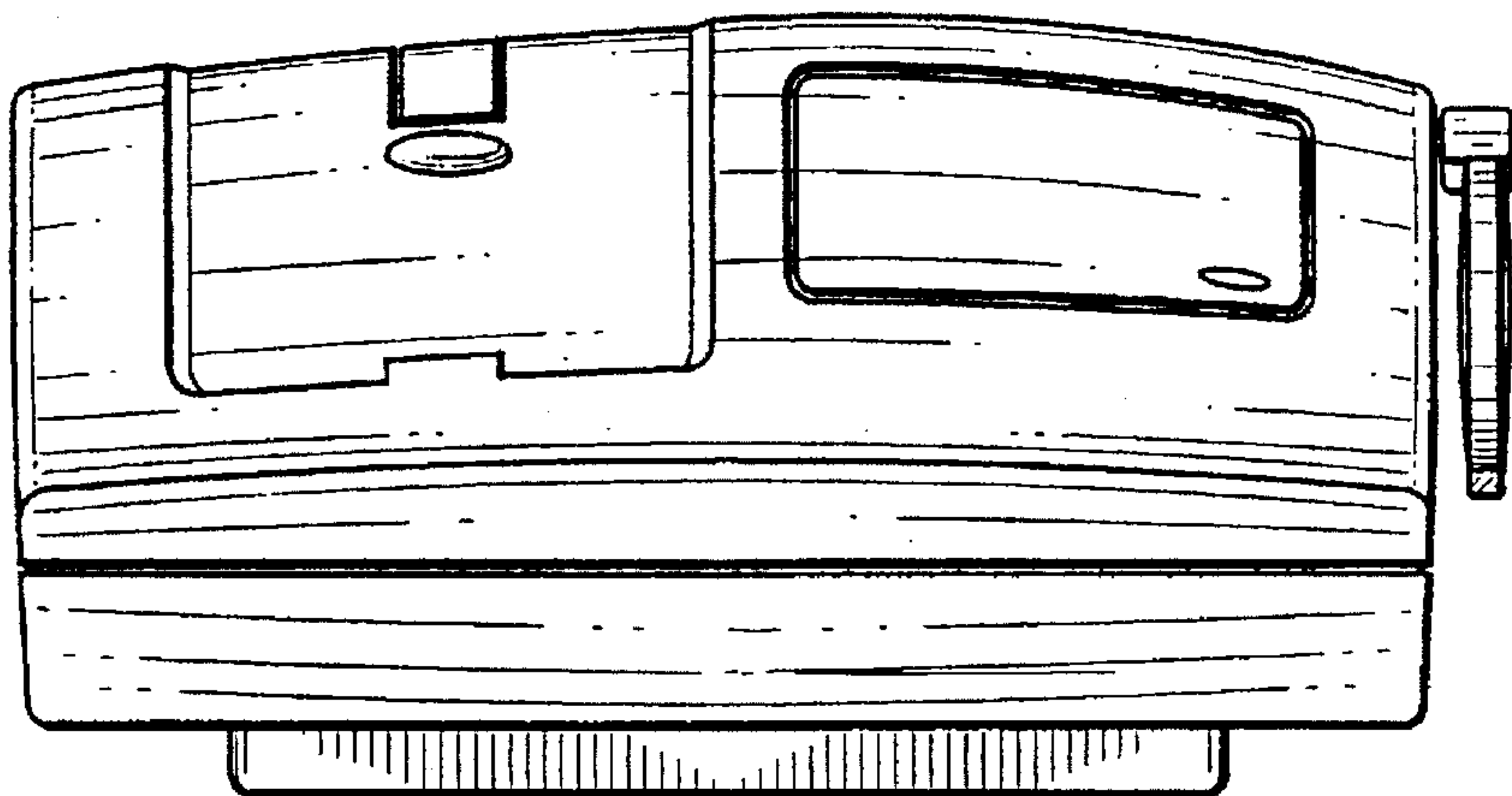
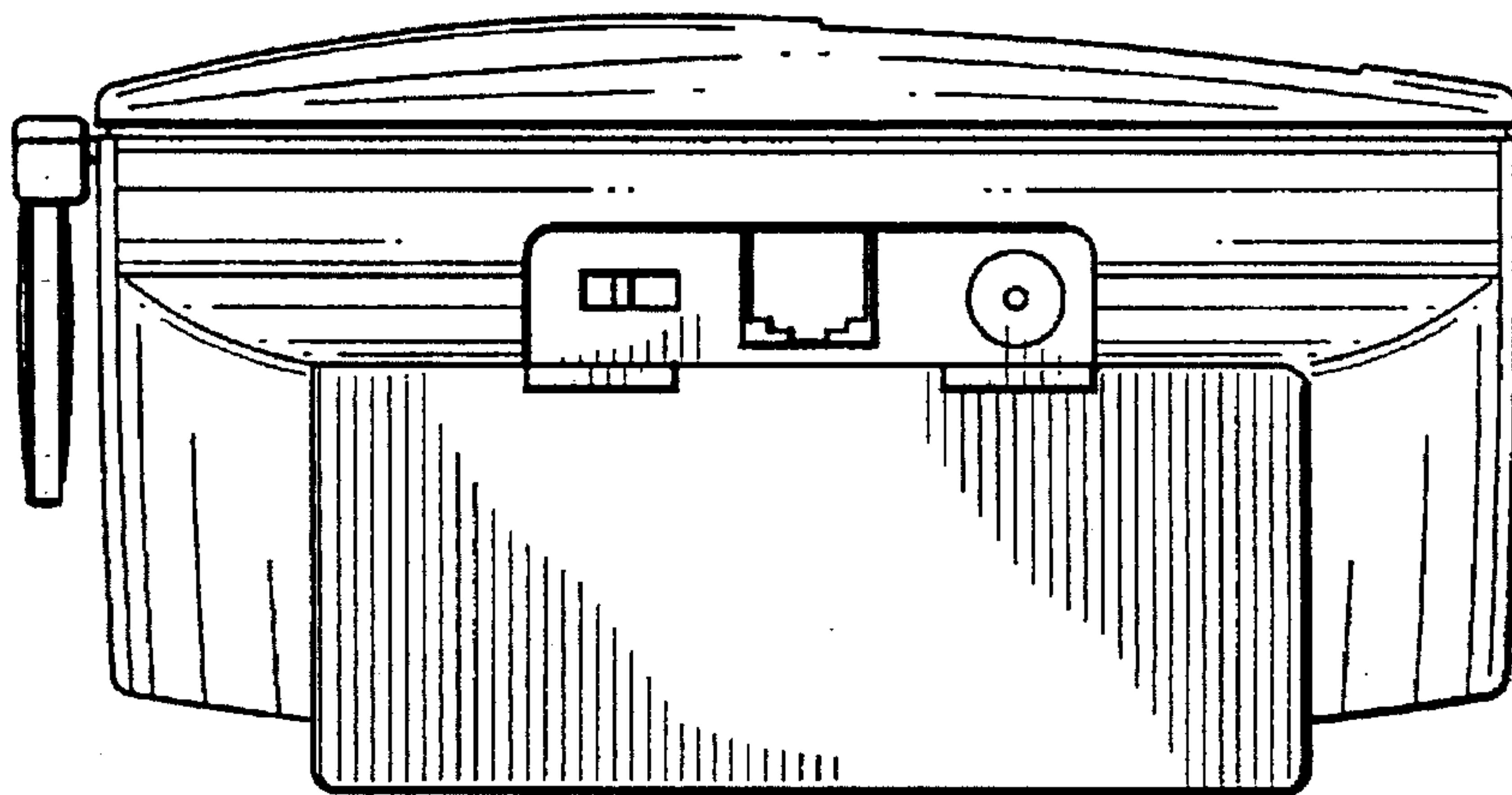


FIG. 3



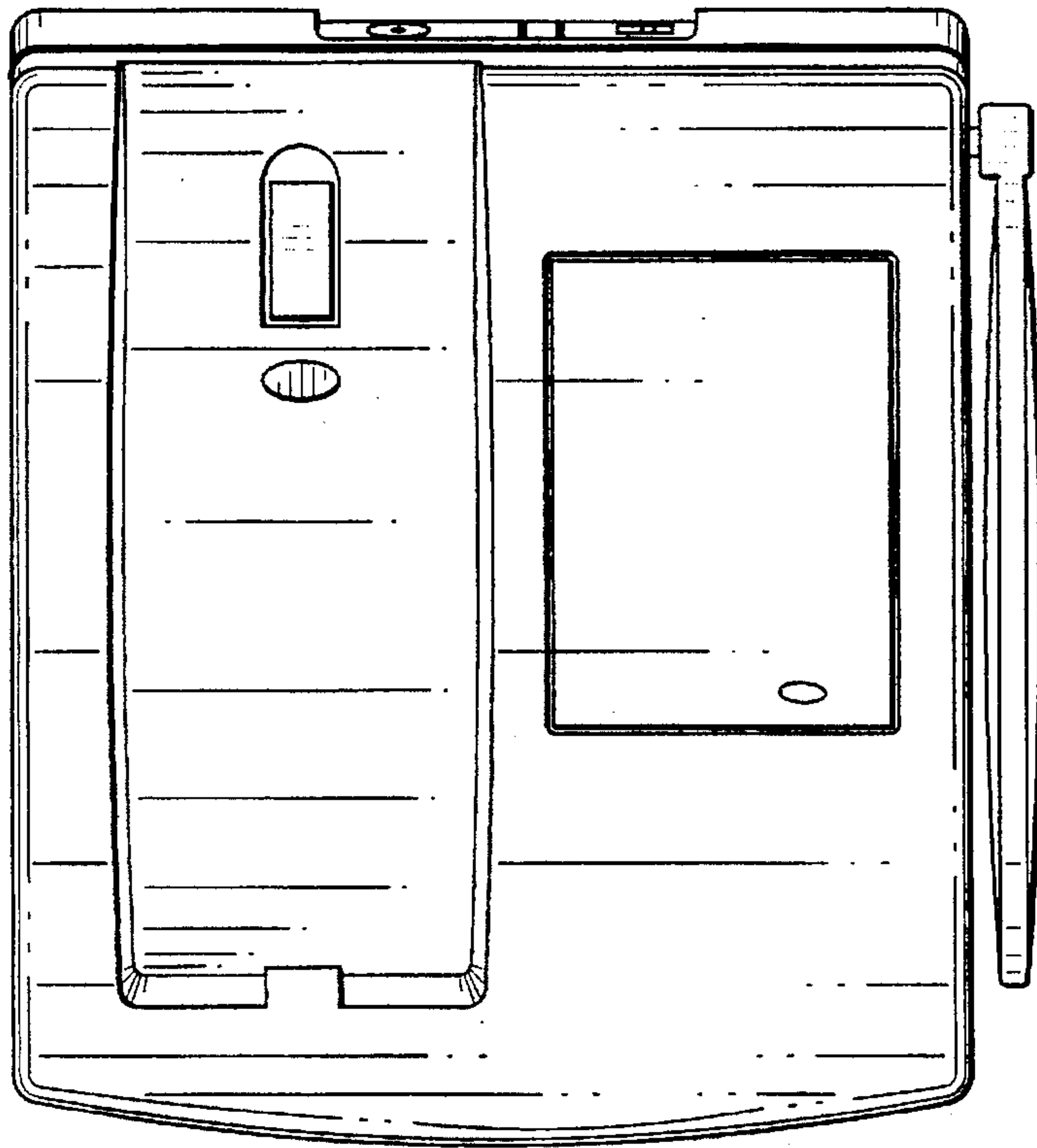


FIG. 4

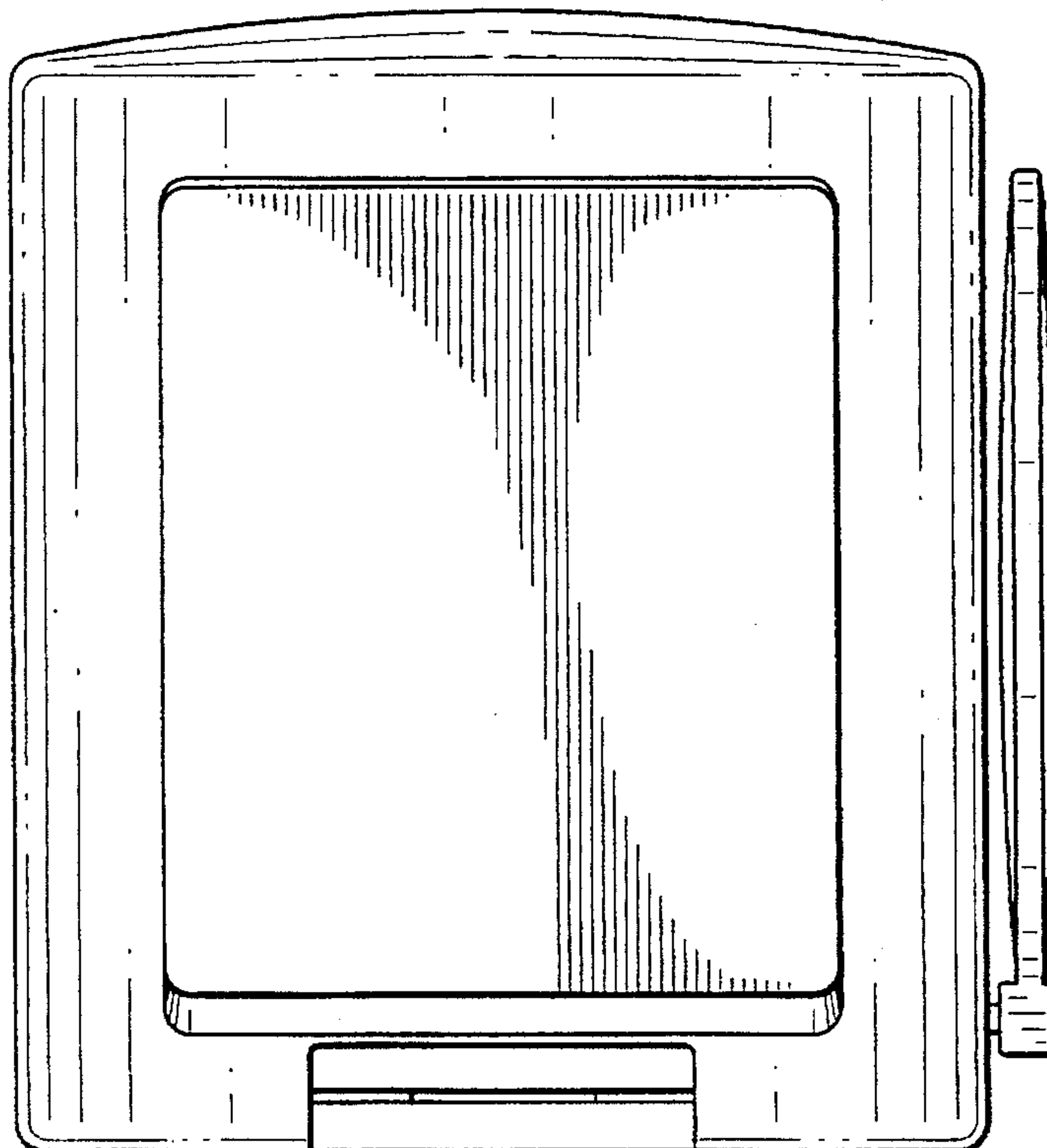


FIG. 5

FIG. 6

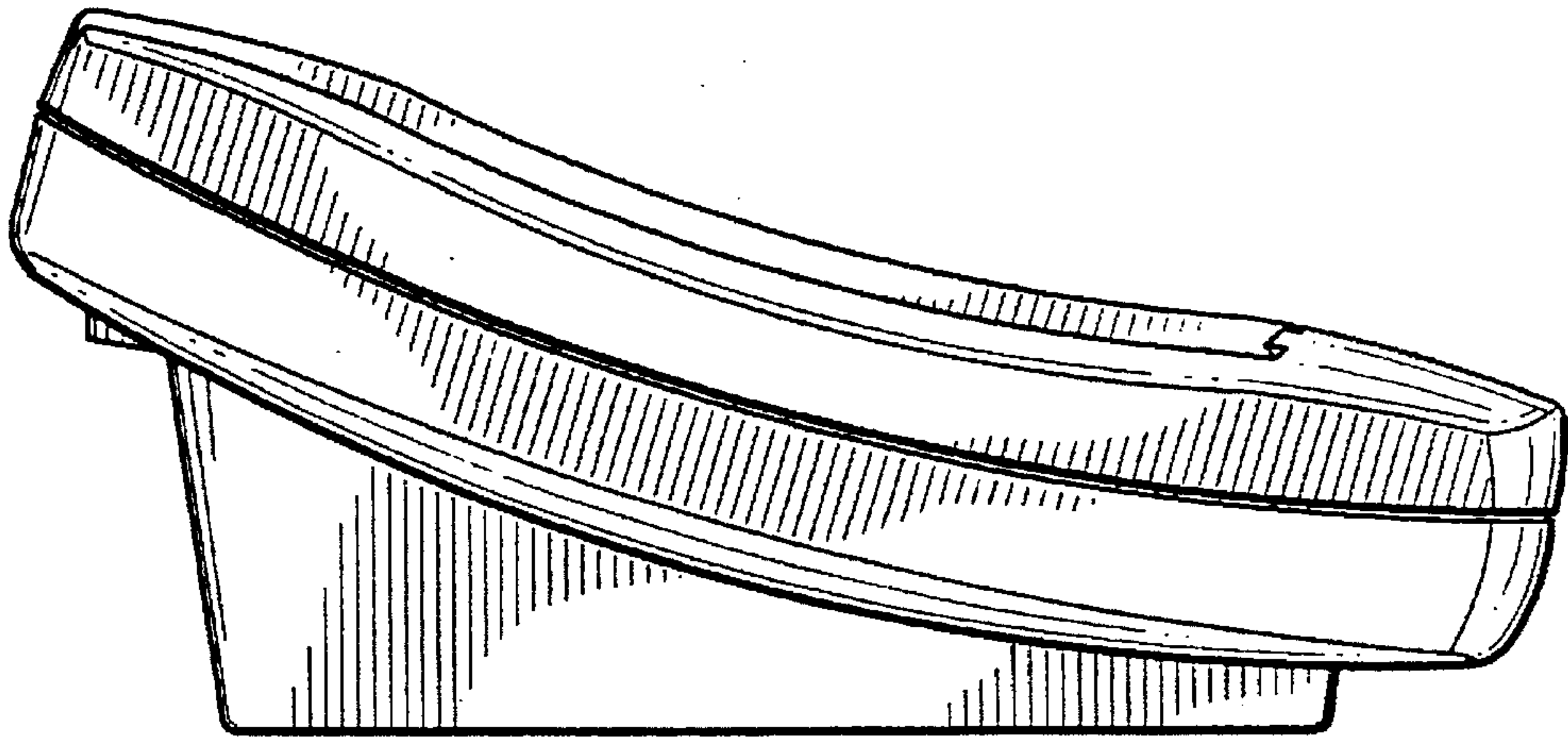


FIG. 7

