



US00D382556S

# United States Patent [19] Jeong

[11] Patent Number: **Des. 382,556**  
[45] Date of Patent: **\*\*Aug. 19, 1997**

[54] **PORTABLE TELECOMMUNICATION UNIT**

[75] Inventor: **Ae-Ran Jeong**, Seoul, Rep. of Korea

[73] Assignee: **Daewoo Telecom Ltd.**, Incheon, Rep. of Korea

[\*\*] Term: **14 Years**

[21] Appl. No.: **53,244**

[22] Filed: **Apr. 18, 1996**

[30] **Foreign Application Priority Data**

Oct. 18, 1995 [KR] Rep. of Korea ..... 95-19903

[51] LOC (6) Cl. .... **14-03**

[52] U.S. Cl. .... **D14/138; D14/248**

[58] Field of Search ..... D14/137, 138,  
D14/140, 142, 147-151, 240, 242, 248,  
249; 379/58-61, 419, 420, 428, 440, 433,  
454, 455; 455/89, 90

[56] **References Cited**

**U.S. PATENT DOCUMENTS**

- D. 254,435 3/1980 Ferron ..... D14/147
- D. 302,689 8/1989 Murakami et al. .... D14/138
- D. 319,441 8/1991 Konno et al. .... D14/138 X
- D. 326,092 5/1992 Kikuchi et al. .... D14/138
- D. 343,171 1/1994 Taylor ..... D14/138
- D. 345,158 3/1994 Namba et al. .... D14/138
- D. 345,356 3/1994 Ando et al. .... D14/138

- D. 346,164 4/1994 Shirakawa et al. .... D14/138
- D. 352,503 11/1994 Nagele ..... D14/138
- D. 363,281 10/1995 Buhrmann ..... D14/248 X
- D. 363,289 10/1995 Kobayashi et al. .... D14/242
- D. 369,598 5/1996 Nagele et al. .... D14/138
- 5,436,954 7/1995 Nishiyama et al. .... 379/433 X

**FOREIGN PATENT DOCUMENTS**

- 6-152459 5/1994 Japan ..... 455/90
- 6-164440 6/1994 Japan ..... 455/90

*Primary Examiner*—Jeffrey Asch  
*Attorney, Agent, or Firm*—Anderson Kill & Olick, P.C.

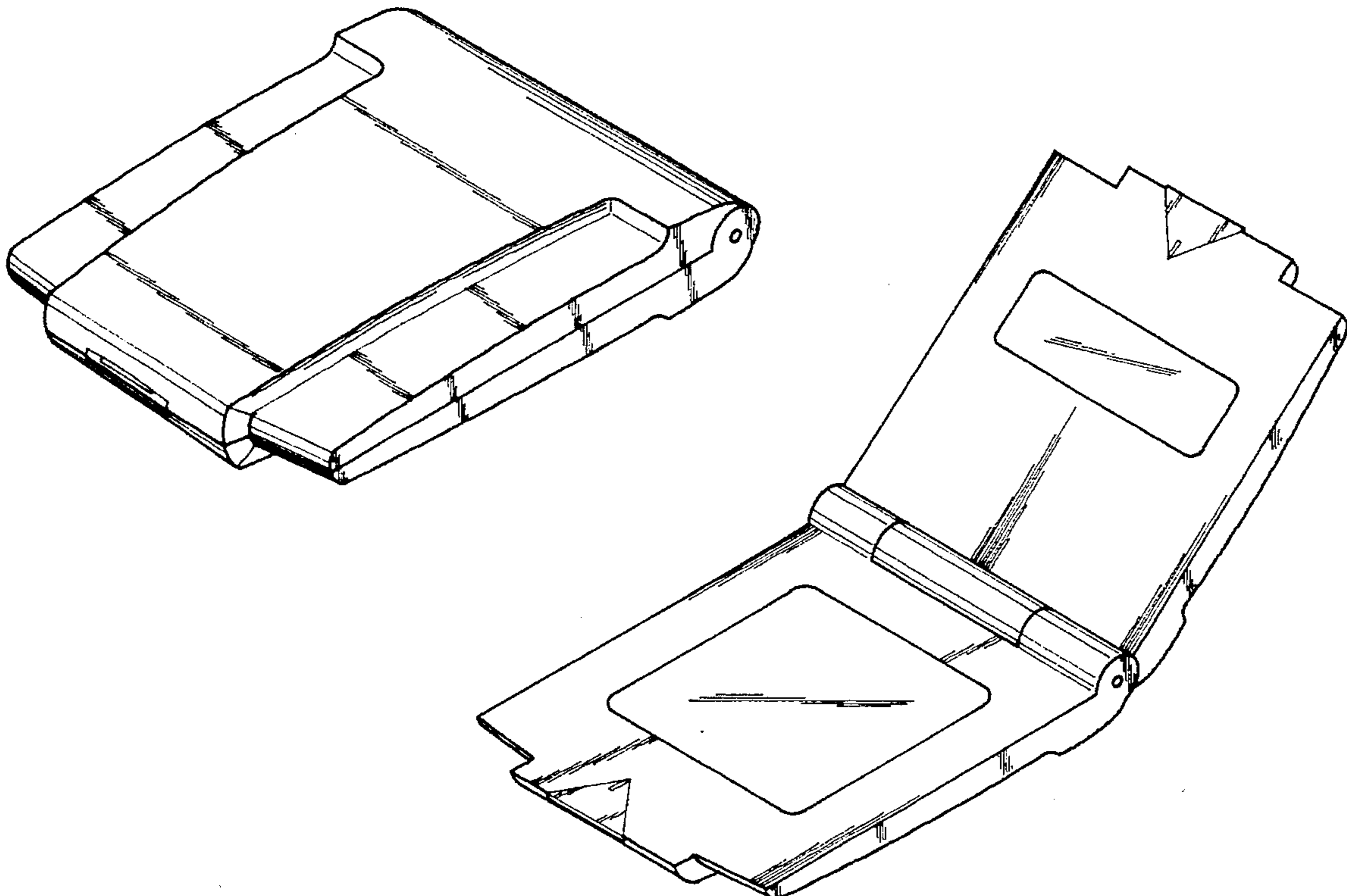
[57] **CLAIM**

The ornamental design for a portable telecommunication unit, as shown and described.

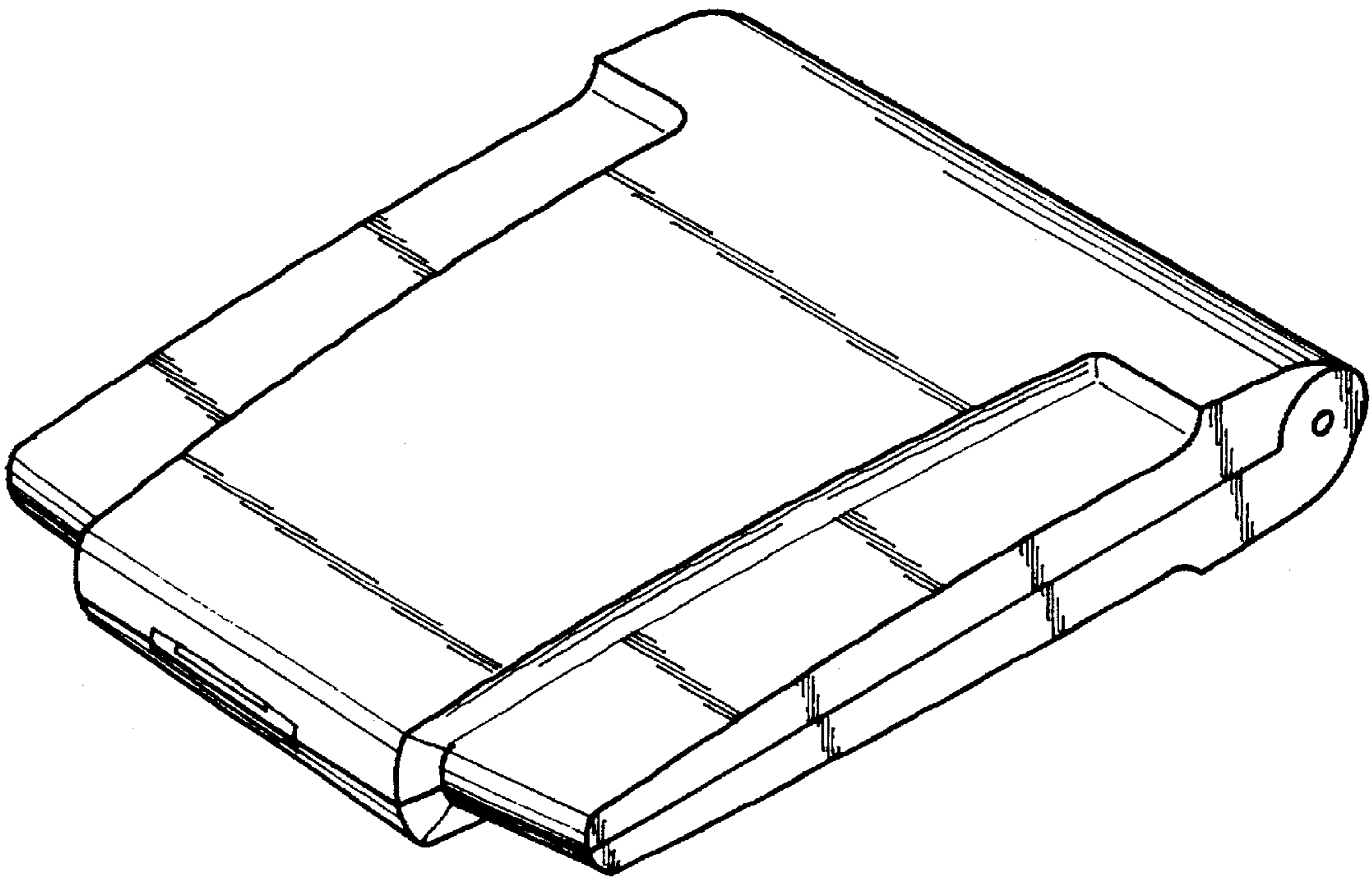
**DESCRIPTION**

FIG. 1 is a perspective view of a portable telecommunication unit showing my new design;  
 FIG. 2 is a top plan view thereof, which is symmetrical to a bottom view not shown herein;  
 FIG. 3 is a front elevational view thereof;  
 FIG. 4 is a rear elevational view thereof;  
 FIG. 5 is a right side elevational view thereof, which is symmetrical to a left side elevational view not shown herein;  
 and,  
 FIG. 6 is a perspective view thereof, showing an unfolded state.

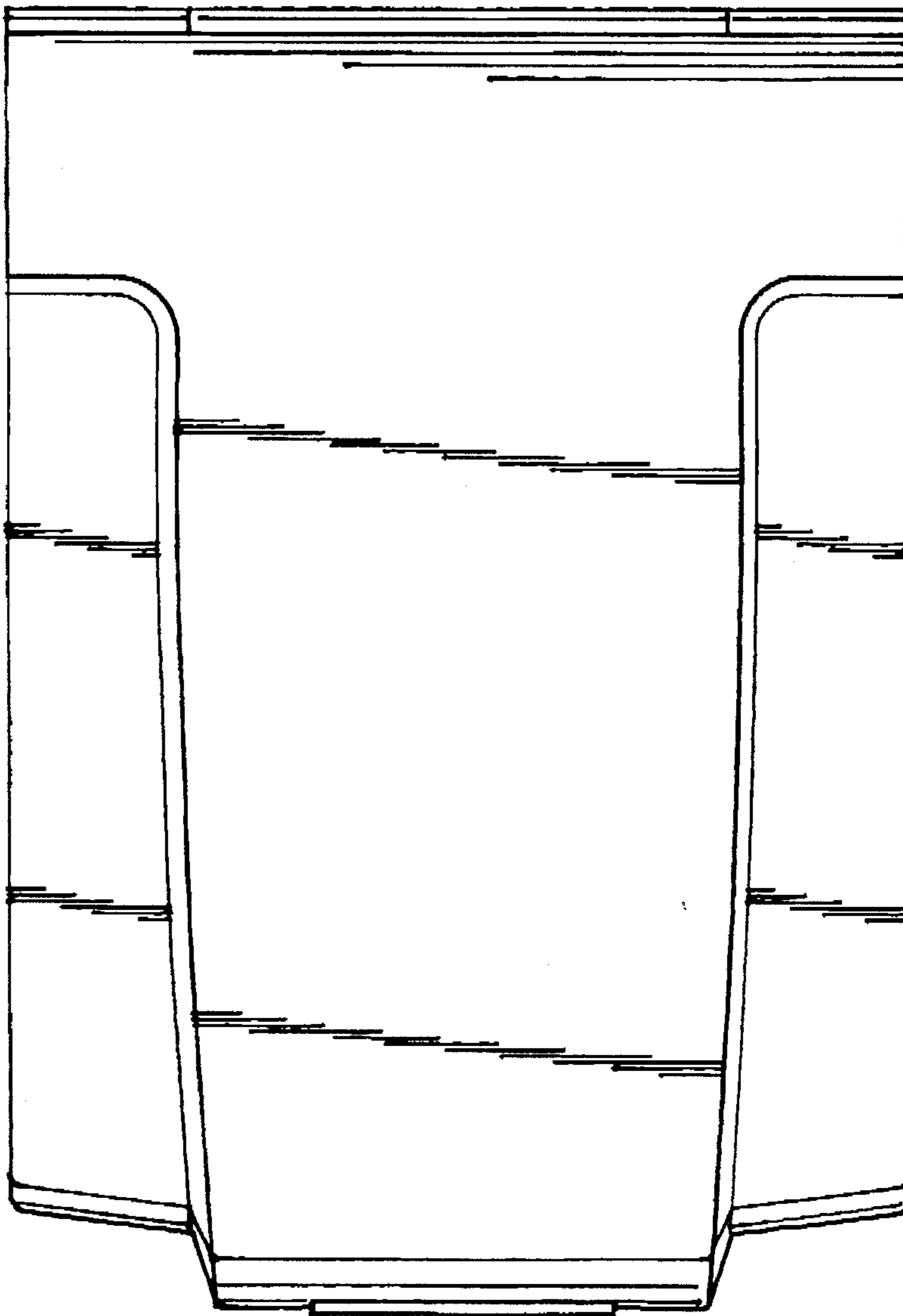
**1 Claim, 5 Drawing Sheets**



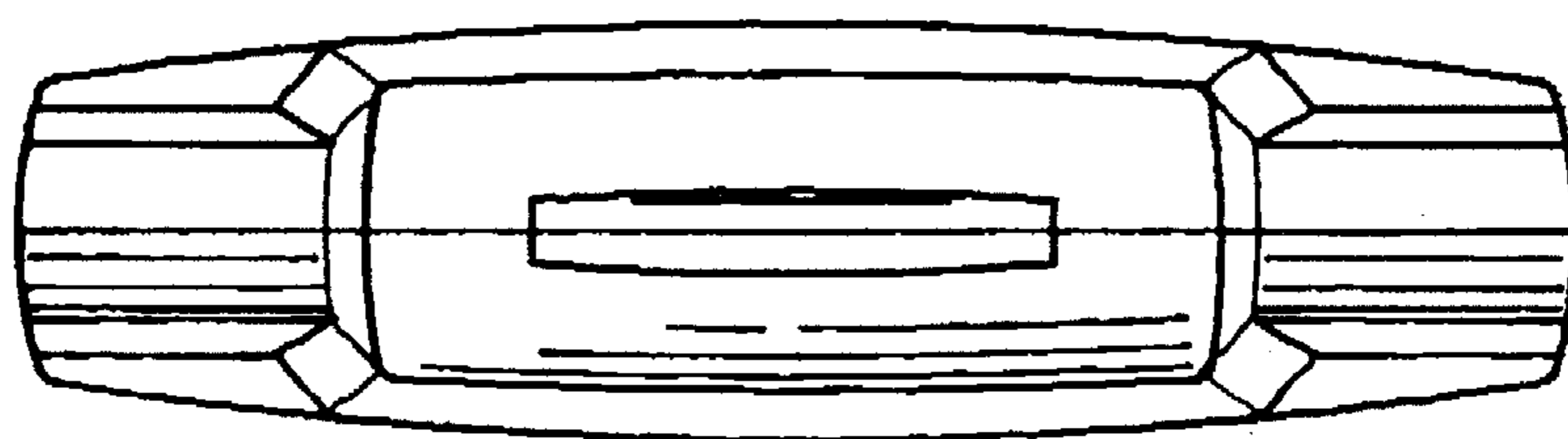
*FIG. 1*



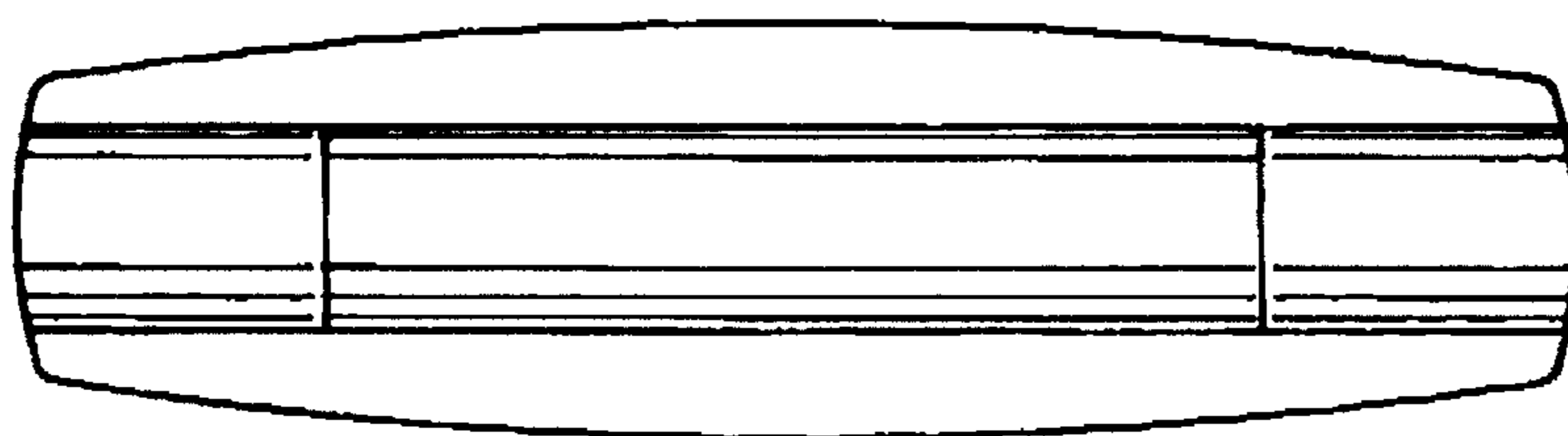
*FIG. 2*



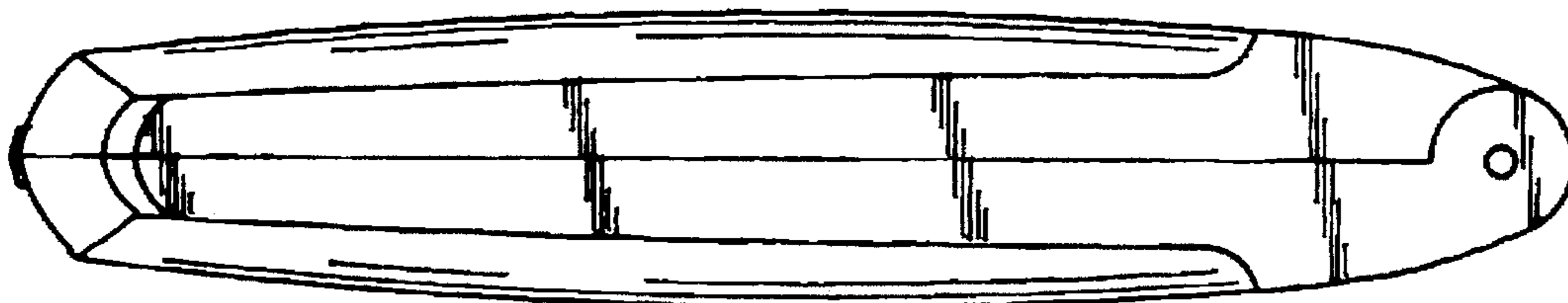
*FIG. 3*



*FIG. 4*



*FIG. 5*





*FIG. 6*

