



US00D382550S

United States Patent [19]

[11] Patent Number: **Des. 382,550**

Kaneko et al.

[45] Date of Patent: ****Aug. 19, 1997**

[54] **REAR PORTION OF A POINTING DEVICE**

[75] Inventors: **Steven T. Kaneko**, Seattle; **Carl J. Ledbetter**, Lynnwood; **Edie Adams**, Seattle; **Kabir Siddiqui**, Redmond, all of Wash.

[73] Assignee: **Microsoft Corporation**, Redmond, Wash.

[**] Term: **14 Years**

[21] Appl. No.: **48,728**

[22] Filed: **Jan. 16, 1996**

Related U.S. Application Data

[63] Continuation-in-part of Ser. No. 49,616, Jan. 5, 1996.

[51] LOC (6) Cl. **14-02**

[52] U.S. Cl. **D14/114**

[58] Field of Search D14/100, 114; D13/158; D21/13, 48; 74/471 XY; 178/18, 19; 200/341, 5 A, 5 R, 6 A, 6 R; 273/148 B; 345/156-166

[56] References Cited

U.S. PATENT DOCUMENTS

Re. 32,633	3/1988	Hovey et al.	340/710
D. 266,563	10/1982	White	D14/100
D. 272,921	3/1984	Kim	D21/48
D. 284,284	6/1986	Manock et al.	D14/114
D. 285,445	9/1986	Davis et al.	D14/114
D. 288,569	3/1987	Ida	D14/114
D. 288,930	3/1987	Barbera et al.	D14/114
D. 291,318	8/1987	Kim	D14/114
D. 302,426	7/1989	Bradley et al.	D14/114
D. 328,596	8/1992	Manabe	D14/114
D. 328,597	8/1992	Clouss	D14/114
D. 335,874	5/1993	Chen	D14/114
D. 340,923	11/1993	Tso	D14/114
D. 349,280	8/1994	Kaneko	D14/114
D. 349,493	8/1994	Cheng	D14/114
D. 362,431	9/1995	Kaneko et al.	D14/114
3,835,464	9/1974	Rider	340/324

3,987,685	10/1976	Opocensky	74/471 R
4,514,726	4/1985	Whetstone et al.	340/710
4,538,476	9/1985	Luque	74/471 X
4,550,316	10/1985	Whetstone et al.	340/710
4,559,532	12/1985	Hosogoe	340/710
4,562,314	12/1985	Hosogoe et al.	200/5 R
4,581,761	4/1986	Ichinokawa et al.	382/13
4,613,853	9/1986	Hosogoe et al.	340/710
4,862,165	8/1989	Gart	341/20
5,157,381	10/1992	Cheng	340/710
5,252,970	10/1993	Baronowsky	341/20
5,414,445	5/1995	Kaneko et al.	345/163
5,446,481	8/1995	Gillick et al.	345/163

OTHER PUBLICATIONS

Manager Mouse Cordless, by Contriver Technology, Inc., *PC Magazine*, Aug. 1987.

Little Mouse, by Mouse Systems Corporation, *Computer Shopper*, p. 570, Dec. 1990.

KM Mouse for Windows, MS-300, Product Brochure, 1994.

The Chic, Versatile & High-Performance Mouse, Chic Technology Corp., *Computer Products*, p. 182, Oct. 1990.

Computer Products, Selected Pages, Oct. 1990.

(List continued on next page.)

Primary Examiner—Freda Nunn

Attorney, Agent, or Firm—Seed and Berry LLP

[57] CLAIM

The ornamental design for a rear portion of a pointing device, as shown and described.

DESCRIPTION

FIG. 1 is a rear isometric view of a rear portion of a pointing device showing our new design;

FIG. 2 is a top plan view thereof;

FIG. 3 is a front elevational view thereof;

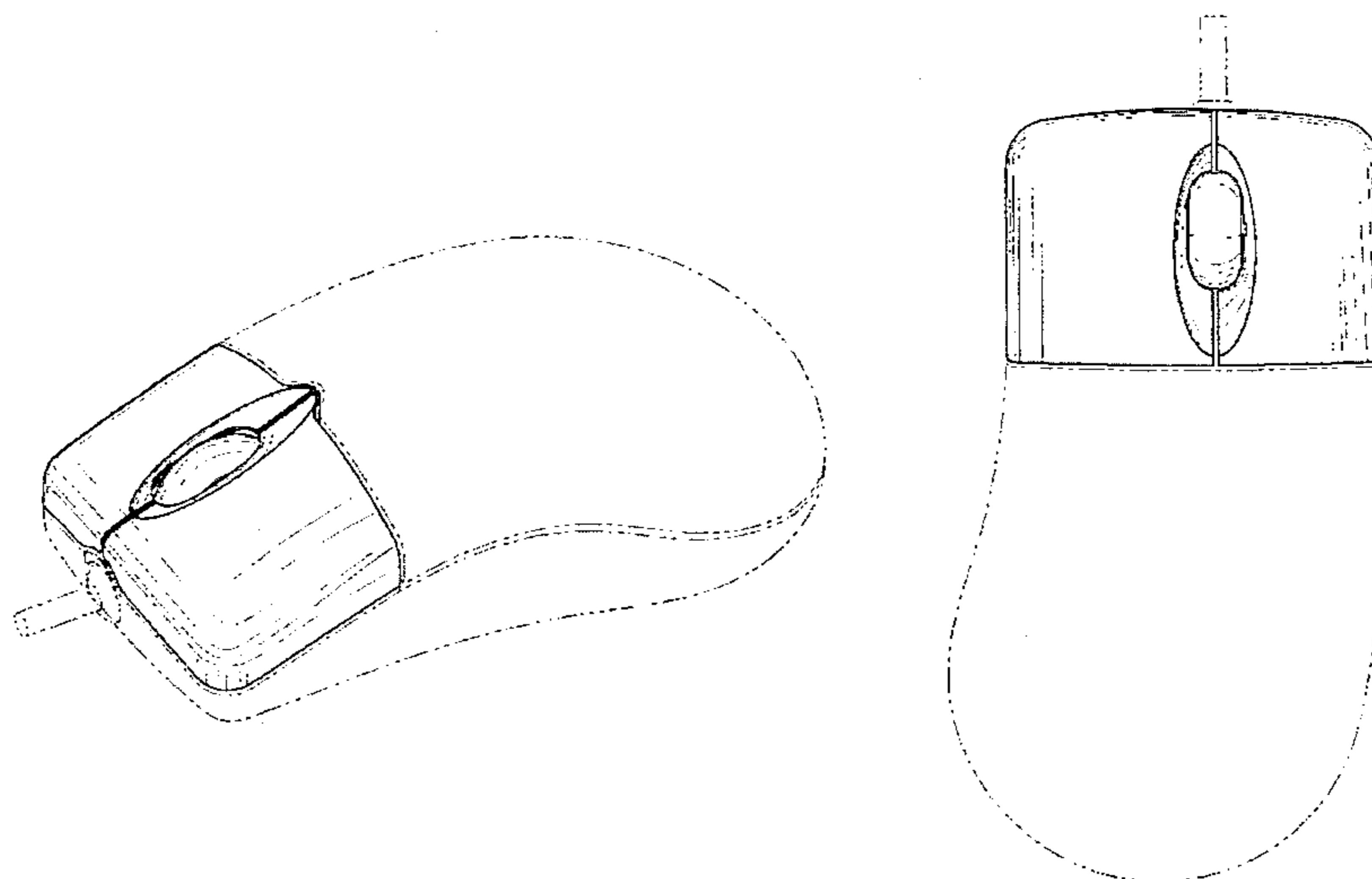
FIG. 4 is a left side elevational view thereof;

FIG. 5 is a right side elevational view thereof; and,

FIG. 6 is a top plan view of an alternative embodiment of the rear portion of a pointing device of FIG. 1.

The broken lines are for illustrative purposes only and forms no part of the claimed design.

1 Claim, 2 Drawing Sheets



OTHER PUBLICATIONS

- The HiRez Mouse, the Series 2 Mouse, the All-Purpose Mouse: Serial or Bus, Logitech, Inc., advertisement, 1993.
- HP Mouse with Mini-DIN Interface, Hewlett Packard, Nov. 1989.
- M-II Mouse, Contriver Enterprises Co., Ltd., Product Brochure, 1993.
- OMNIMOUSE, MSC Technologies, Inc., 1988.
- M-2 Mouse, Contriver Technology, Inc., Product Brochure, 1993.
- 250 DPI Optical Mouse, GVC LiteMouse (Model OM-A1), GVC Corporation, Tapei, Taiwan, R.O.C., Product Brochure, 2 pages, 1993.
- Mouseman. Logitech Inc., *San Jose Merc. News*, Feb. 3, 1991.
- Tessler, Franklin N., "Input Alternatives; How—and why—to choose a better pointing device," *Macworld*, pp. 154-159, Jun. 1992.
- Gruman, Galen, "What Price Mice?," *Infoworld*, pp. 63-65 & 68-69, Apr. 23, 1990.
- Gruman, Galen and Raphael Needleman, "Graphical Interfaces Spur the Development of Alternative Input Devices," *Infoworld*, p. 72, Apr. 23, 1990.
- Lusty, Susan and Lincoln Spector, "Keyboards, Mice, and Trackballs With the Personal Touch," *PC World*, pp. 166-170, Jun. 1990.
- Yacco, Wayne, "New Alternative Mac Pointers: Pointing to the Future?," *Computer Shopper*, pp. 568-571 & 574, Dec. 1990.
- Sullivan, Kristina B., "Mice Find Their Niche in Graphical Environments," *PC Week*, pp. 105-106 & 108, Sep. 9, 1991.
- ProAgio!, by Mouse Systems Corporation, Product Brochure, 1995.
- DEXXA Mouse, Product Brochure, Model 8000S, 1991.
- MacDonald, Stephen, "Tiny Mouse Holds Many Design Problems," *The Wall Street Journal*, Jul. 8, 1988, p. 15, cols. 1-2.
- "Consumer Products," 1988 Annual Design Review, pp. 107, 194-195, 12, 207.
- "Designed to Last a Lifetime," PC Mouse, MSC Technologies, Santa Clara, CA, 1988, 2 pages.
- Rice, Lorraine, "Mice Vs. Trackballs: The Anatomy of a Choice," *PC Magazine*, Aug. 1990, pp. 216-217.
- "Alternate Input, Mice and Trackballs," *PC Magazine*, Aug. 1990, 4 pages.
- Maruyama, T. et al., "Keyboard/Mouse Adaptor," *IBM Technical Disclosure Bulletin*, vol. 27, No. 5, Oct. 1984, pp. 3042-3043.
- "Logitech Series/2 Mouse," Product Brochure, Logitech, Inc., 1988, 2 pages.
- "Logitech HiREZ Mouse," Product Brochure, Logitech, 1988, 2 pages.
- "Get Your Hands on More Solutions," Product Flyer, Logitech, Inc., one page, 1988.
- "How to Pick the Right Mouse," Product Flyer, Logitech, Inc., one page, 1988.
- "Genius Mouse," GM-6 Plus, one page, 1993.
- INSI/Mouse Systems, Optimouse Flyer, one page, 1993.
- Stanton, Tom, "From Our Maus to Baumaus: Logitech vs. Microsoft," *PC Magazine*, Feb. 16, 1988, pp. 201-202, 204, 206, 210-211, 216-217, 219.
- Fida Product flyer, *New Products*, Spring 1988, two pages.
- Mitsi Mouse Product flyer, Mitsubishi International Corporation/Hi-Tech Components & Plastics Company, New York, NY, 2 pages, 1993.
- Hodes, Diane and Akagi, Kenichi, "Study, Development, and Design of a Mouse," *Proceedings of the Human Factors Society—30th Annual Meeting*, pp. 900-904, 1986.
- Lewis, James R. and Alfonso, Pedro, "Development the IBM Personal System/2 Mouse: An Industrial Design/Human Factors Collaboration," *Proceedings of Interface 89*, pp. 263-267, 1989.
- "Makers offer a diverse range of mice," *Computer Products*, pp. 176-184, 196-208, 220-226 & 238-242, Oct. 1990.
- EasyScroll, by Genius, Product Brochure, 1995.
- PC Mouse, MSC Technologies, Inc., 1988.
- Series/2 Mouse, Logitech, 1988.
- Mack, Robert and Frank Montaniz, "A Comparison of Touch and Mouse Interaction Techniques for a Graphical Windowing Software Environment," *Proceedings of the Human Factors Society, 35th*, Annual Meeting, 1991, pp. 286-289.
- EasyScroll-II, "A Giant Leap in Windows Productivity," 400 DPI Serial Mouse with Scroll-Roller, Genius, Product Brochure, 4 pages, 1995.
- Sicos Mouse, Natürliche Maus-Bedienung, Sicos Computer—Zubehör, Product Brochure, 1 page, 1993.

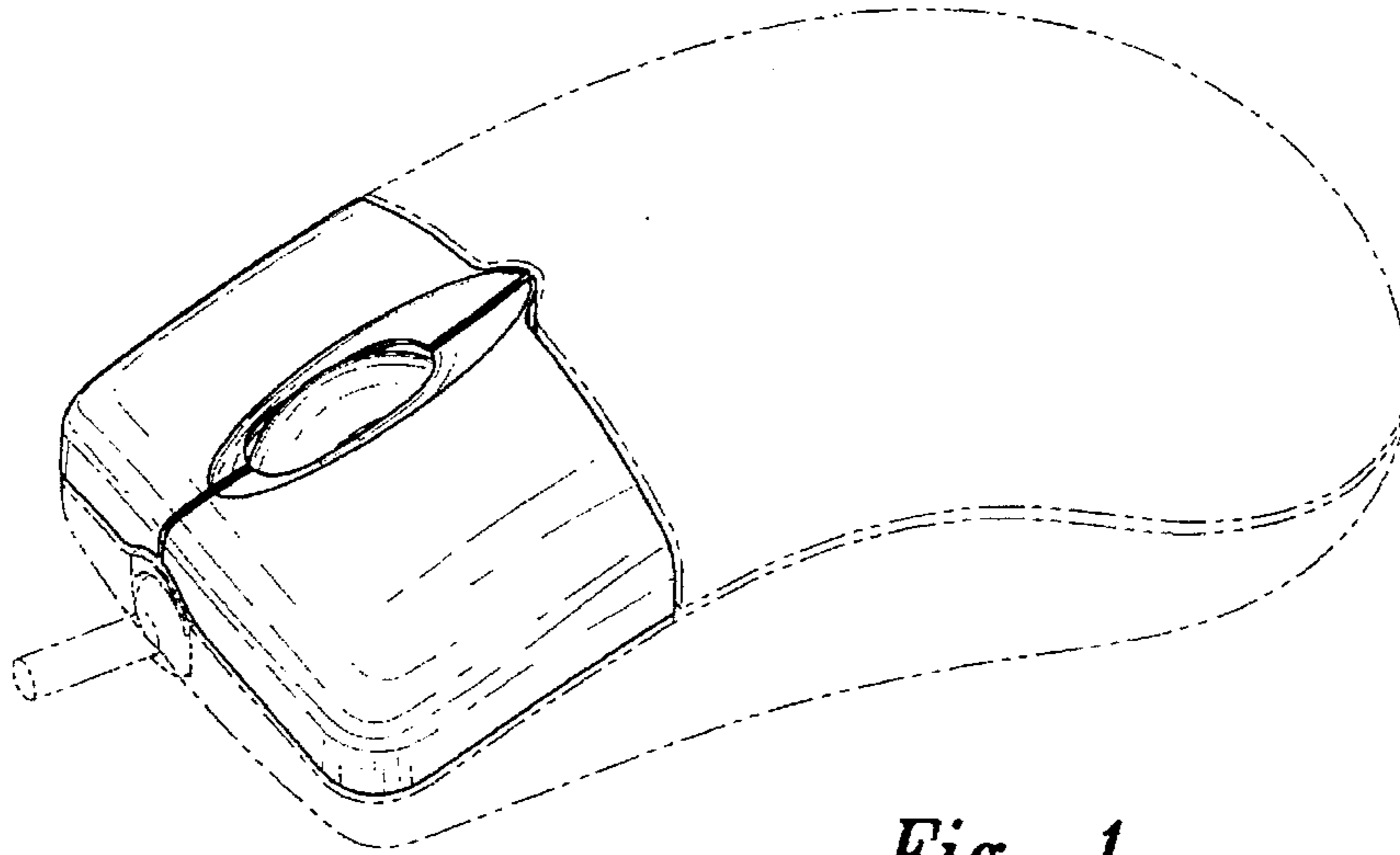


Fig. 1

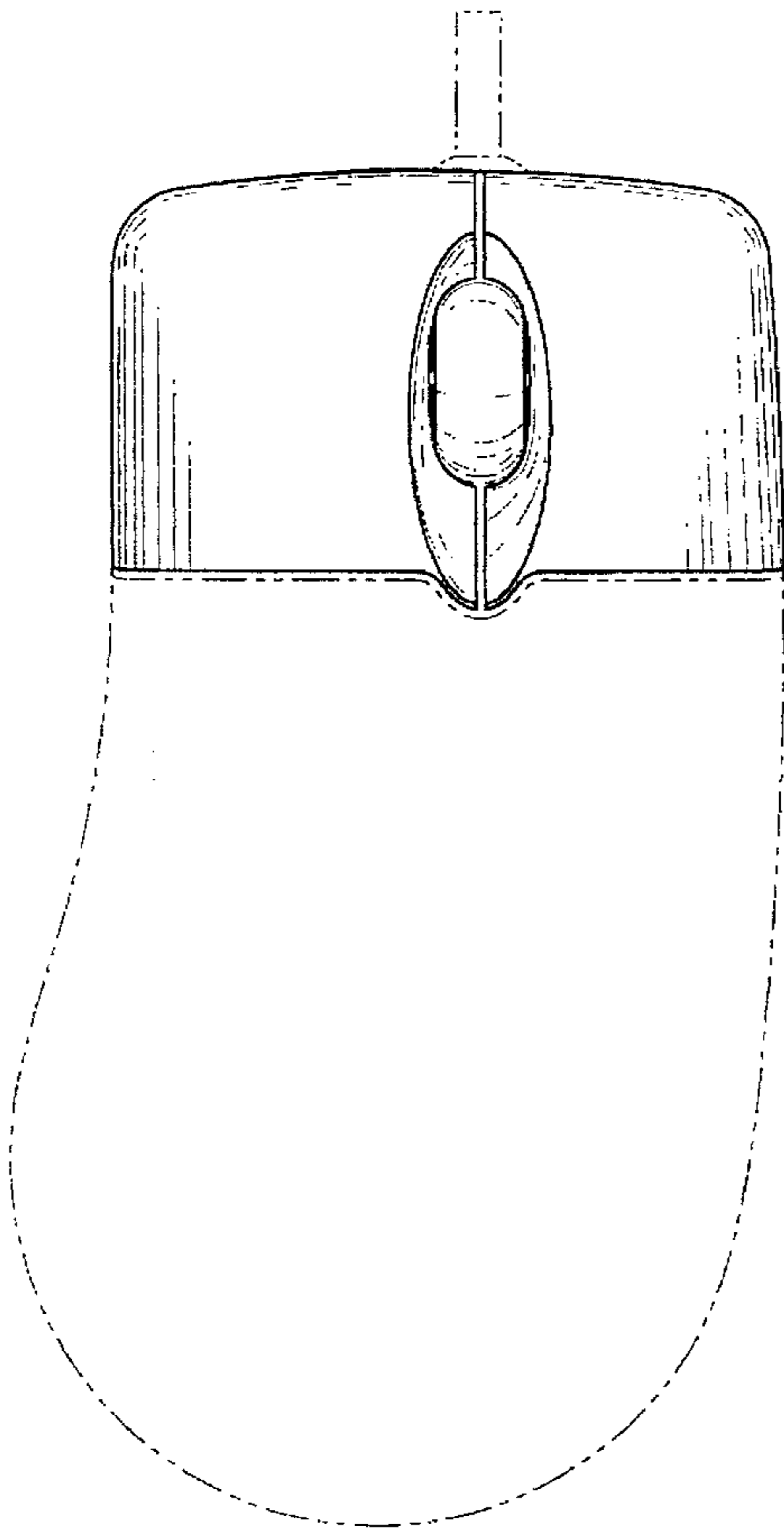


Fig. 2

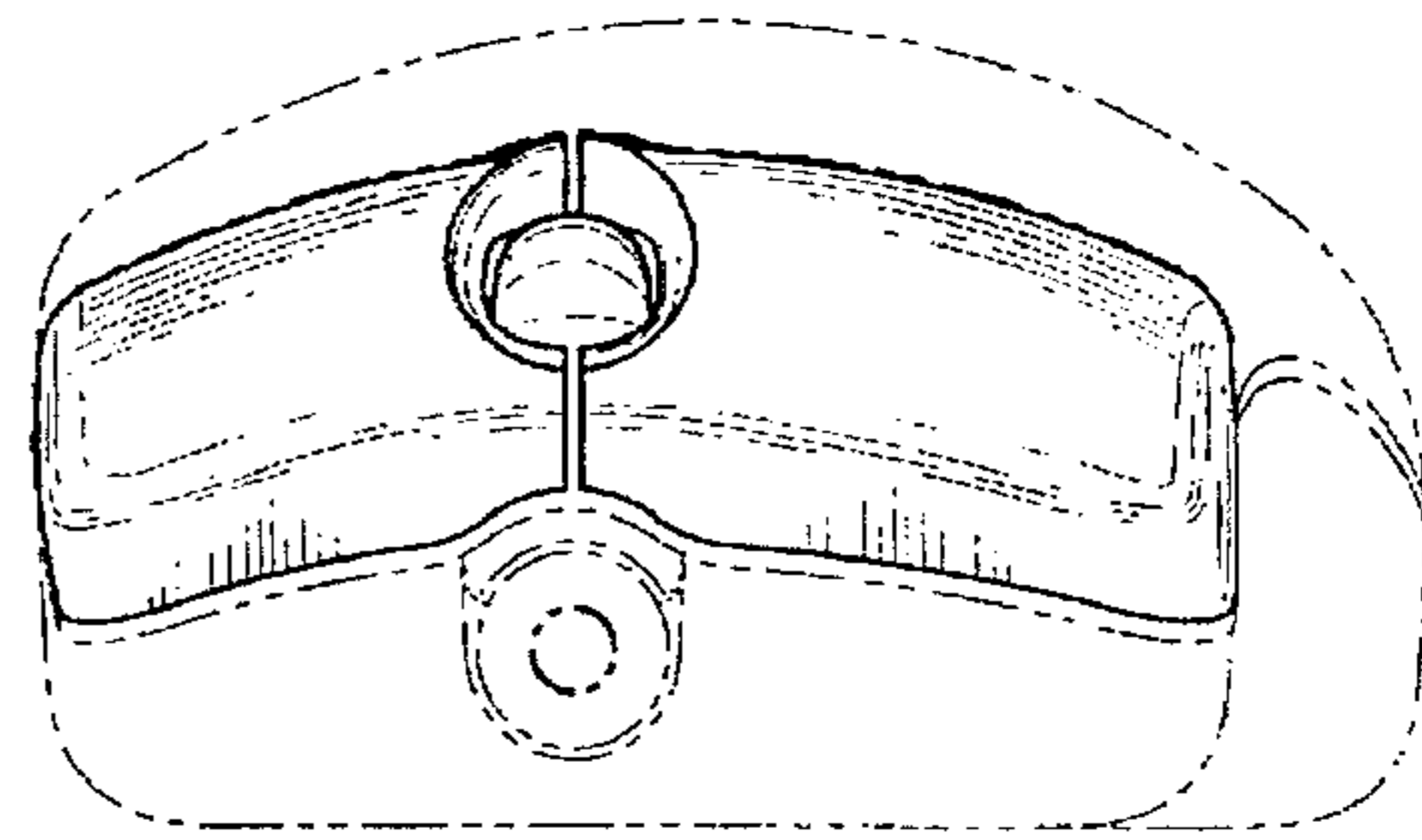


Fig. 3

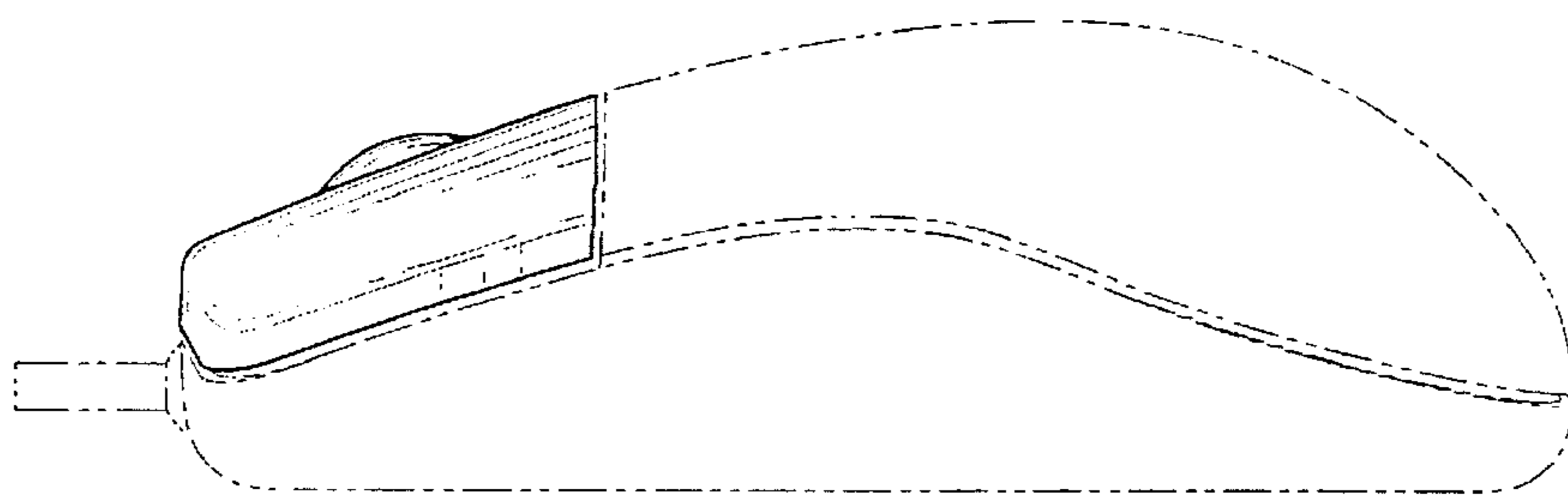


Fig. 4

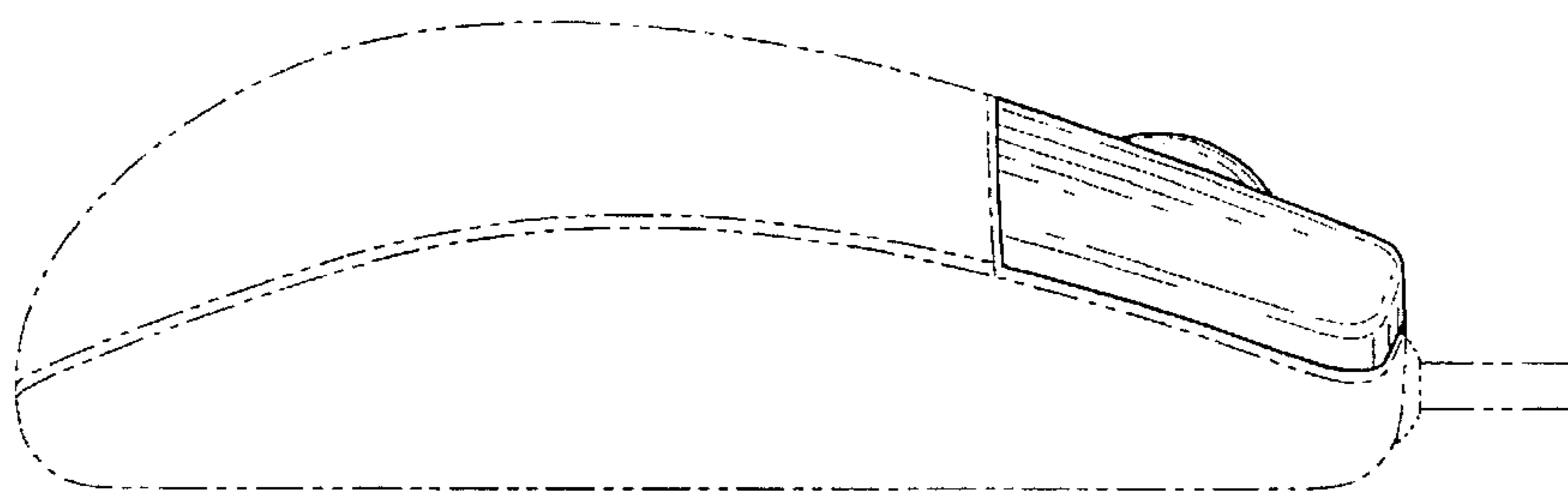


Fig. 5

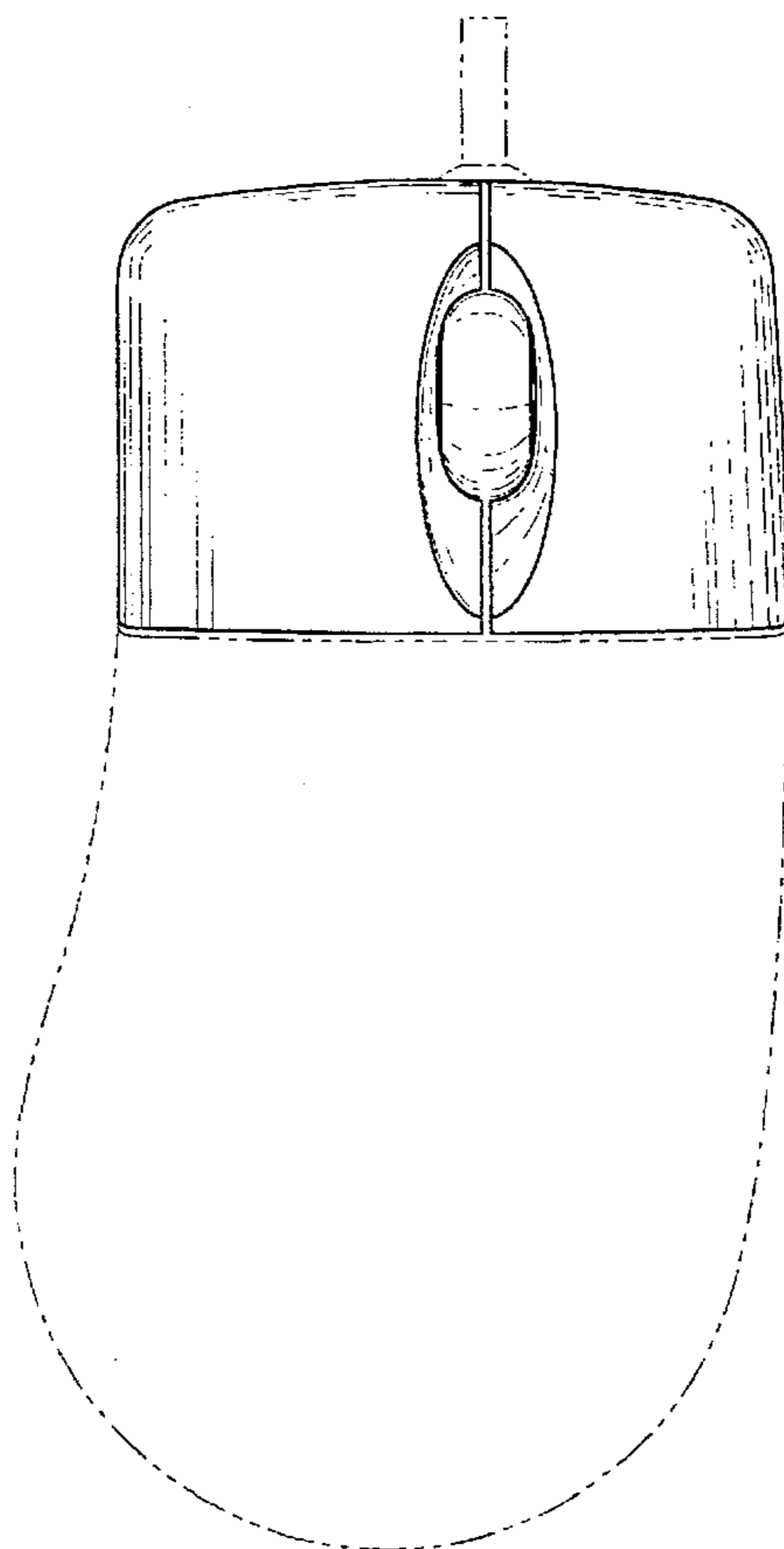


Fig. 6