



US00D382549S

# United States Patent [19]

Yoshimoto

[11] Patent Number: **Des. 382,549**

[45] Date of Patent: **\*\*Aug. 19, 1997**

## [54] VENTILATION COVER

[75] Inventor: **Max K. Yoshimoto**, San Francisco, Calif.

[73] Assignee: **Apple Computer, Inc.**, Cupertino, Calif.

[\*\*] Term: **14 Years**

[21] Appl. No.: **46,131**

[22] Filed: **Nov. 6, 1995**

[51] LOC (6) Cl. .... **14-02**

[52] U.S. Cl. .... **D14/114**

[58] Field of Search ..... D14/100, 114, D14/109, 115, 107; D23/314, 328, 341, 370, 381, 386, 393, 499; 174/16.1; 454/184, 188, 245, 284; 361/679, 687, 688, 690, 694, 695, 692

## [56] References Cited

### U.S. PATENT DOCUMENTS

D. 331,396	12/1992	Benck et al. ....	D14/114
D. 346,855	5/1994	Chiu .....	D23/328
4,751,872	6/1988	Lawson, Jr. ....	361/687 X
5,119,270	6/1992	Bolton et al. ....	361/694 X
5,243,493	9/1993	Jeng et al. ....	361/690

## FOREIGN PATENT DOCUMENTS

401286393A	11/1989	Japan .....	361/692
404157797A	5/1992	Japan .....	361/692
WO 8904591	5/1989	WIPO .....	174/16.1

## OTHER PUBLICATIONS

IBM Technical Disclosure Bulletin vol. 6 No. 2 p. 23 Jul. 1963 *Ventilated Cover* .

*Primary Examiner*—Freda Nunn

*Attorney, Agent, or Firm*—Richard C. Liu

## [57] CLAIM

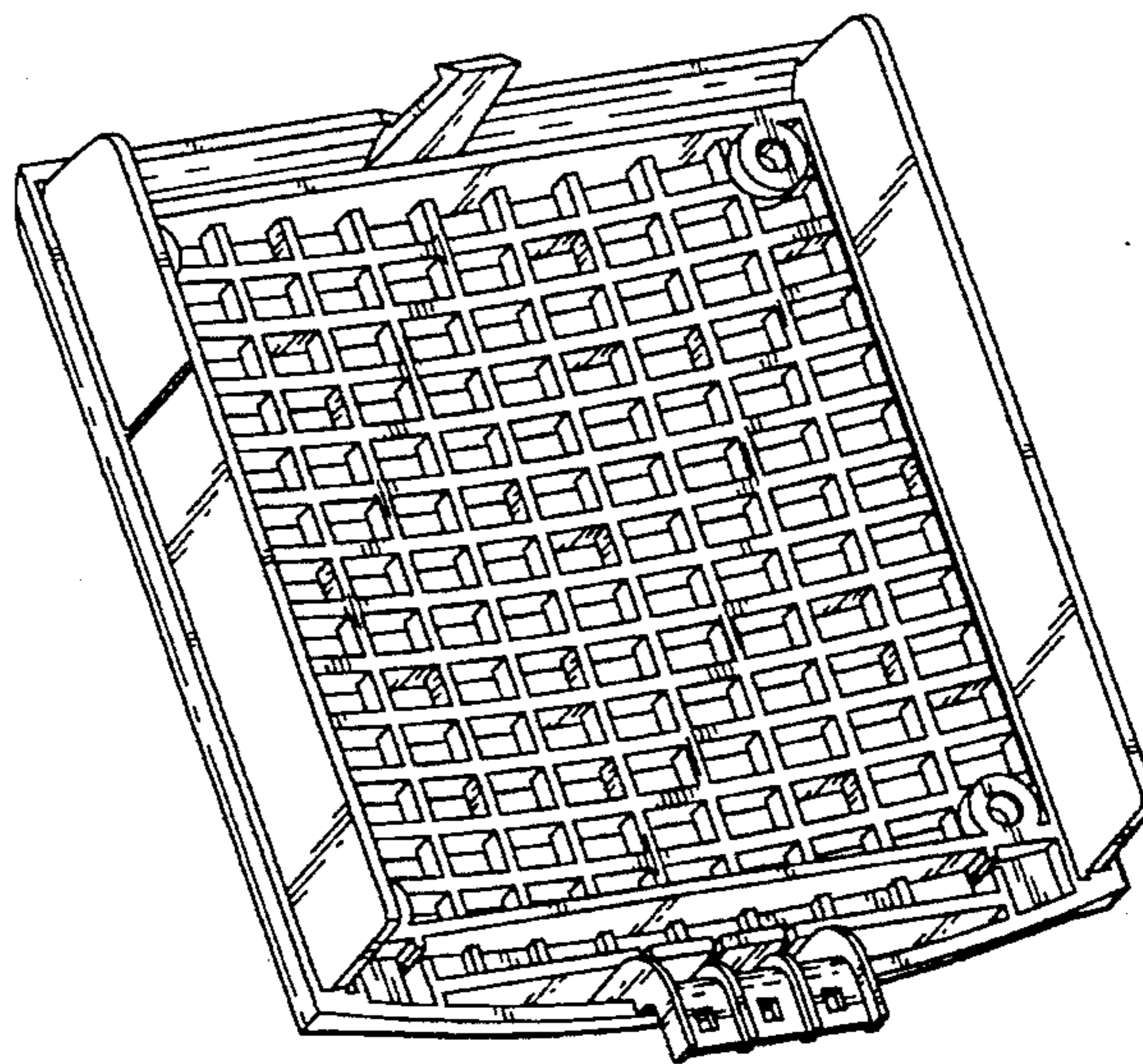
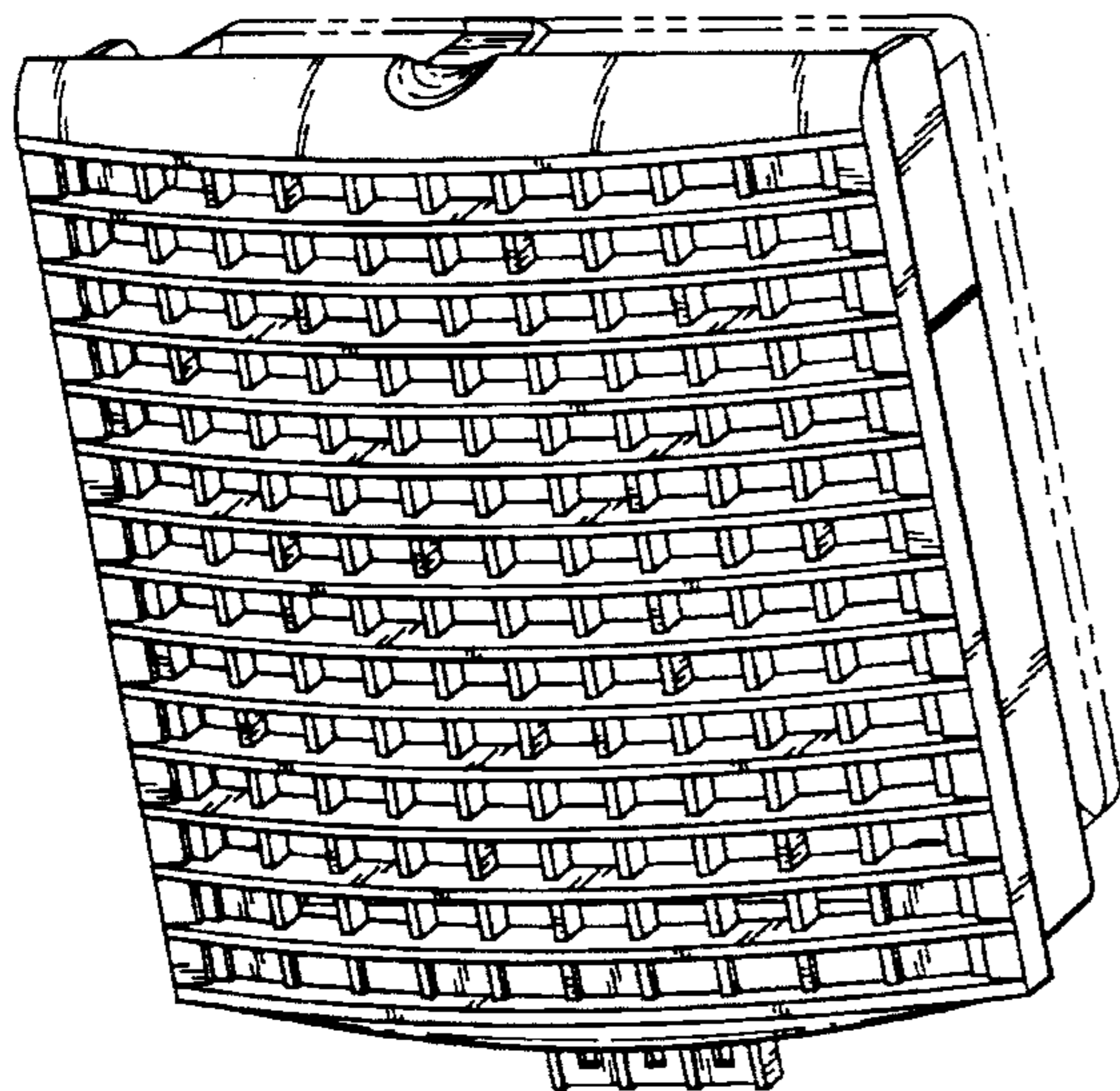
The ornamental design for a ventilation cover, as shown and described.

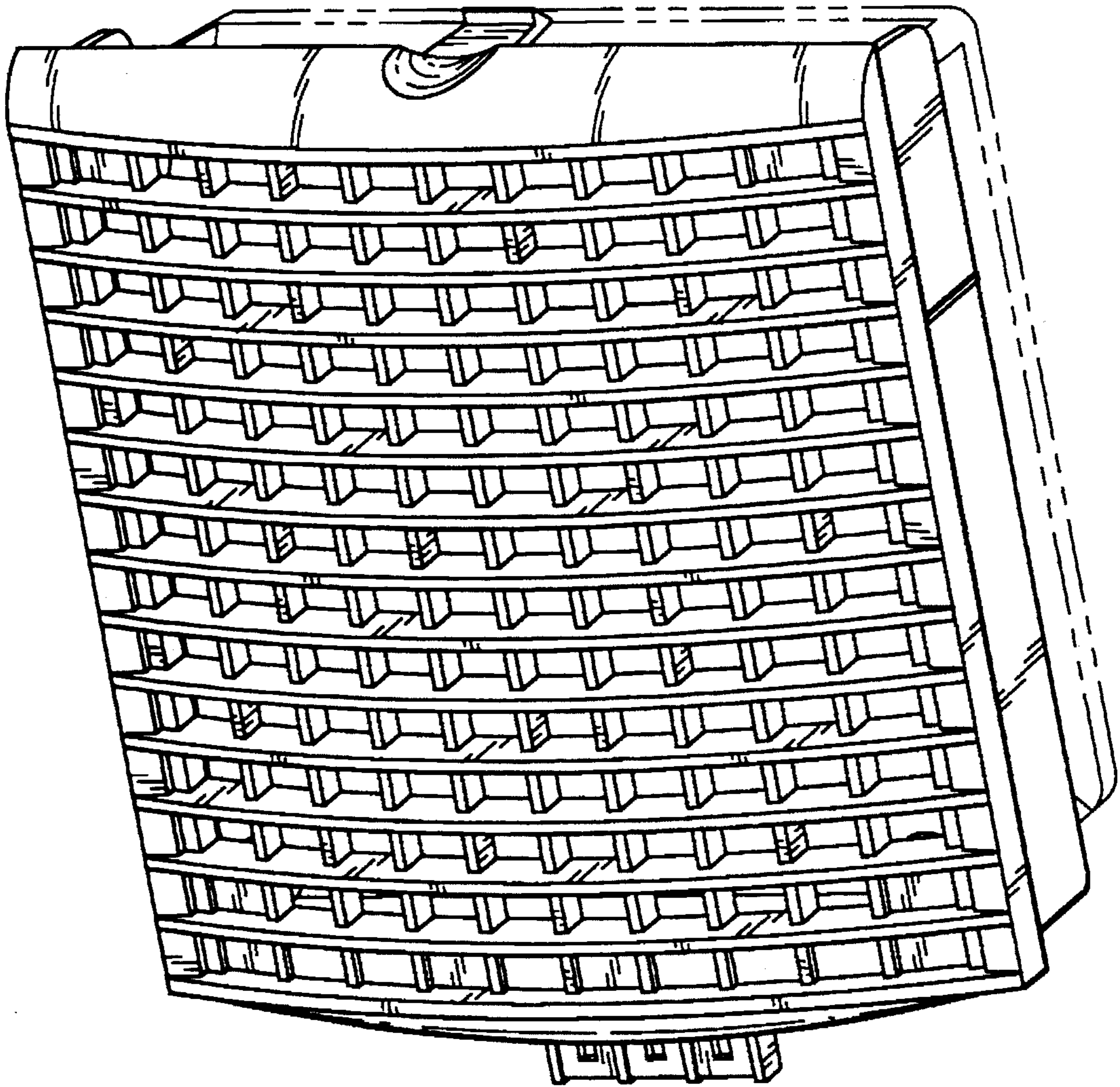
## DESCRIPTION

FIG. 1 is a top, front and right side perspective view of a ventilation cover showing my new design; FIG. 2 is a front elevational view thereof; FIG. 3 is a top plan view thereof; FIG. 4 is a rear elevational view thereof; FIG. 5 is a bottom plan view thereof; FIG. 6 is a right side elevational view thereof; FIG. 7 is a left side elevational view thereof; and, FIG. 8 is a rear perspective view thereof.

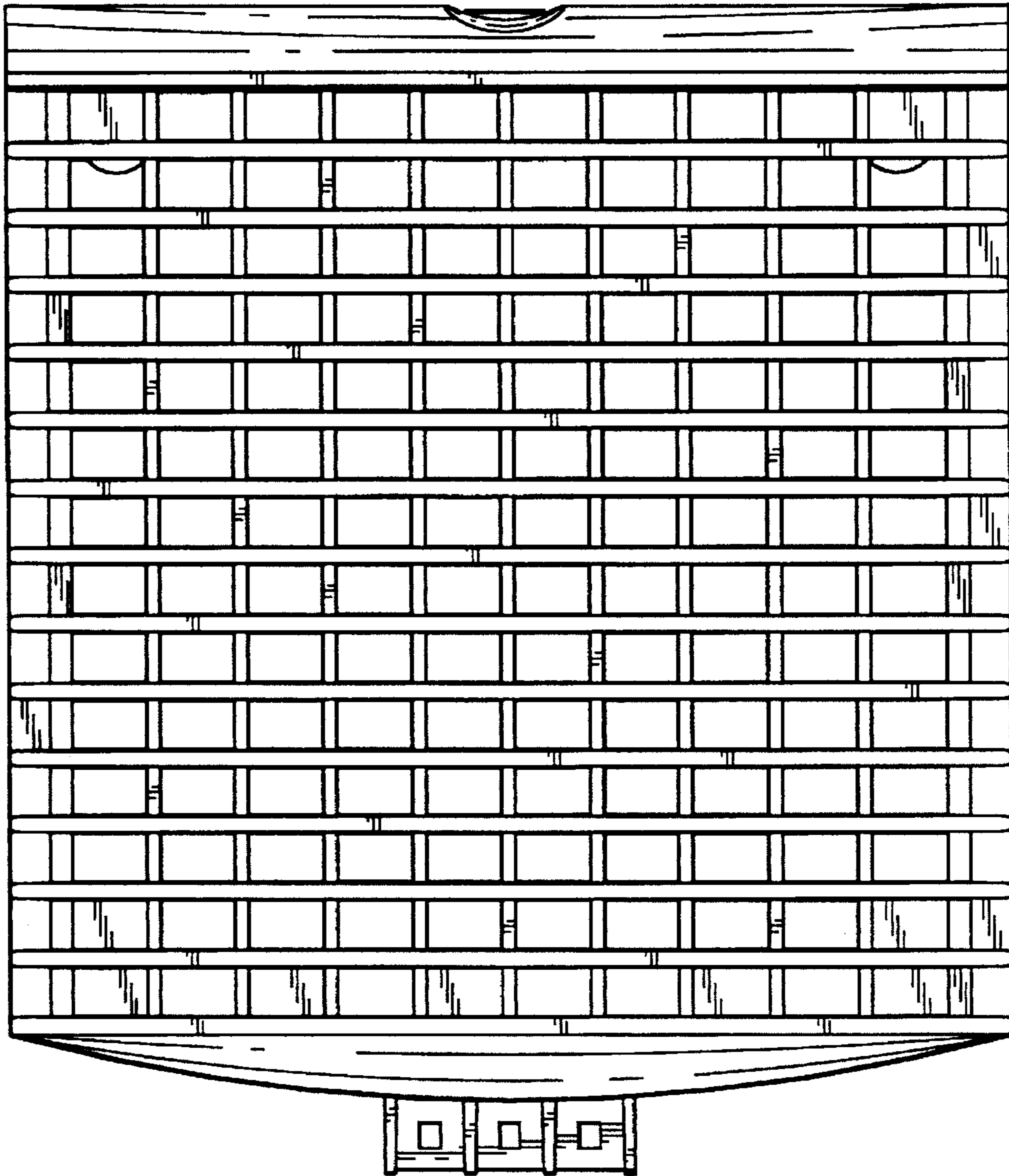
The broken lines are shown in FIG. 1 for illustrative purposes only and form no part of the claimed design.

**1 Claim, 5 Drawing Sheets**

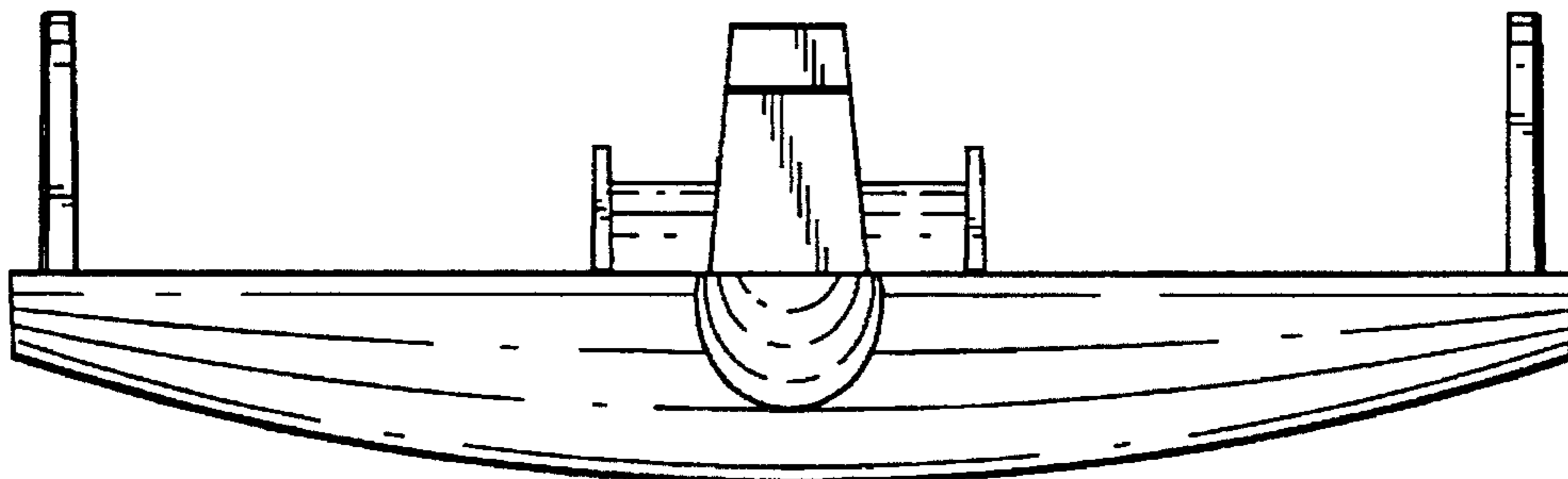




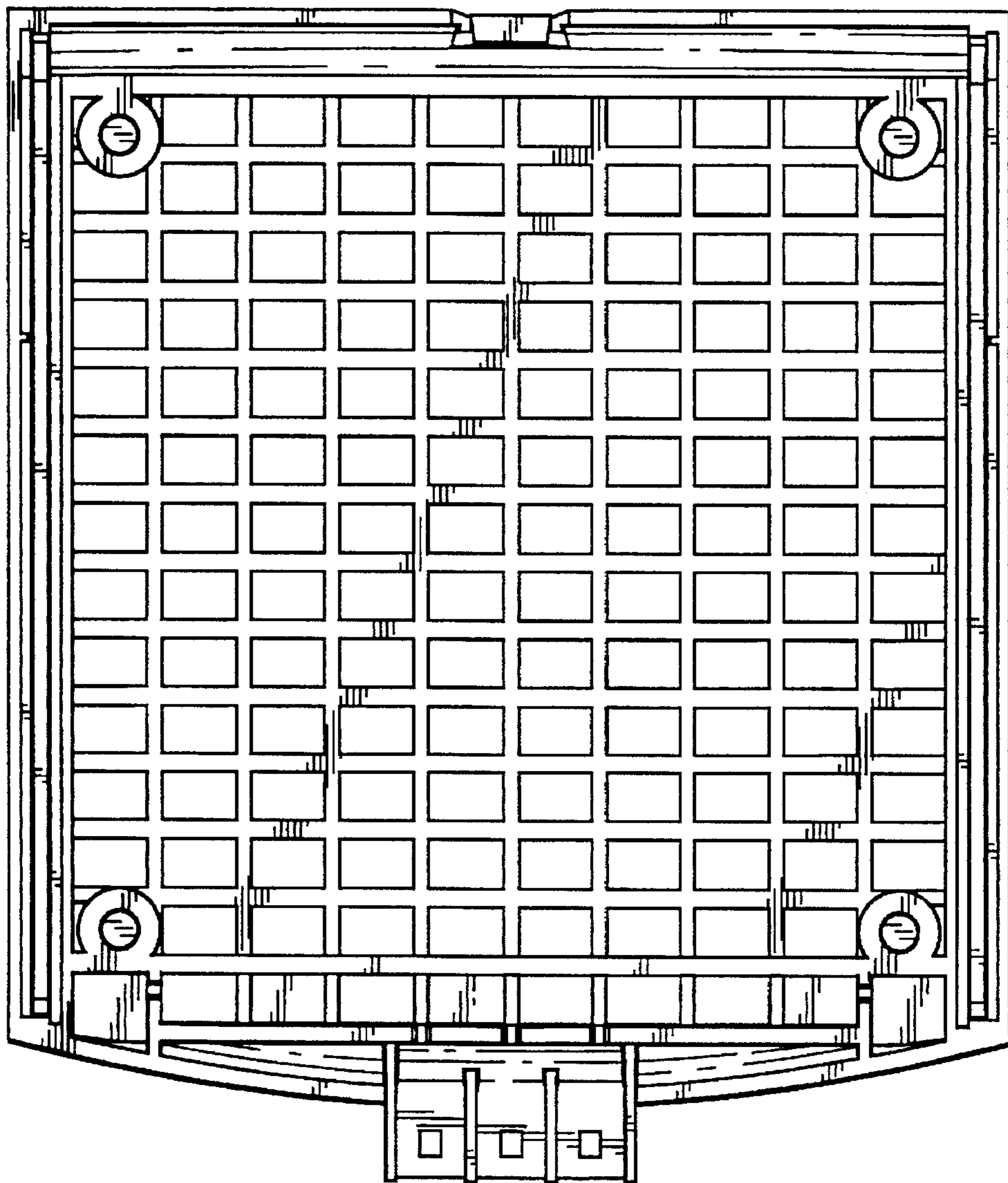
**FIG. 1**



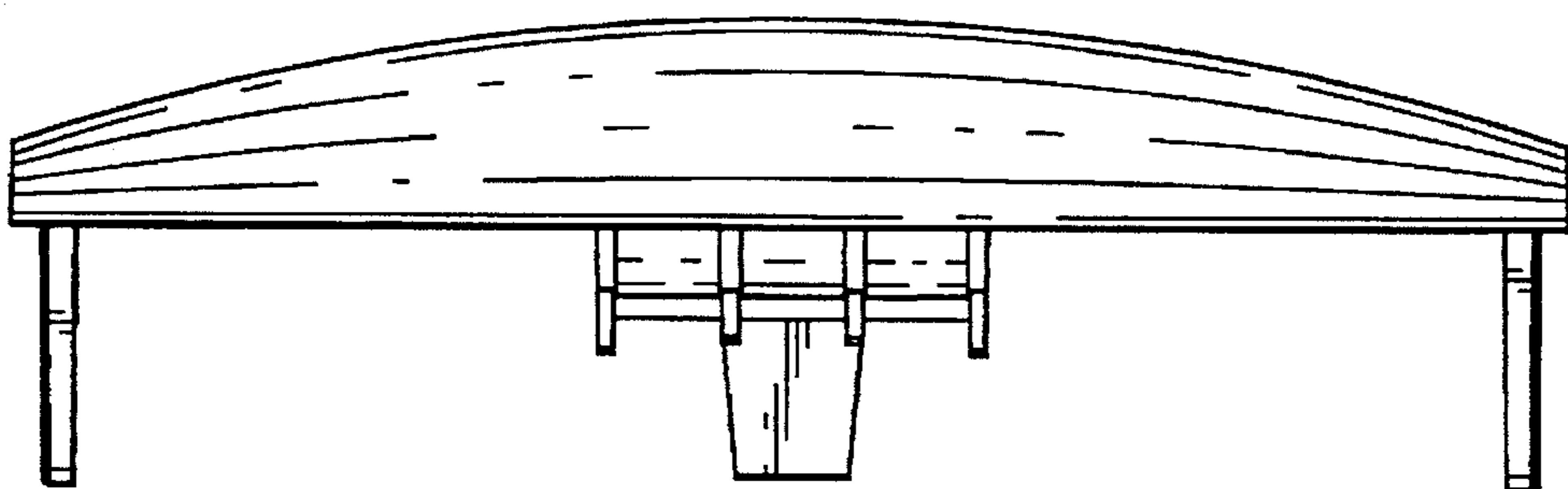
**FIG. 2**



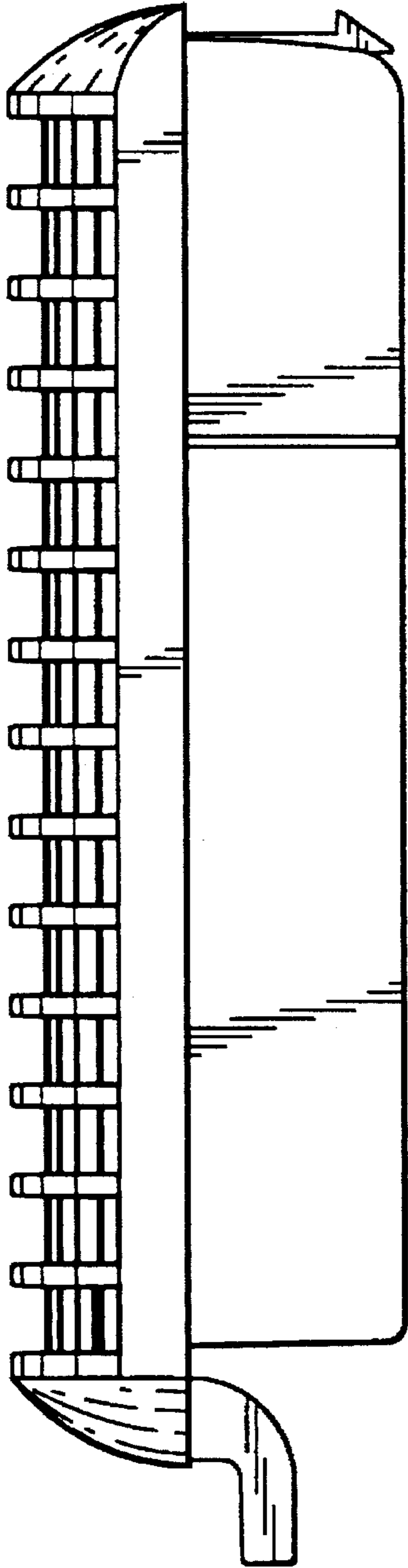
**FIG. 3**



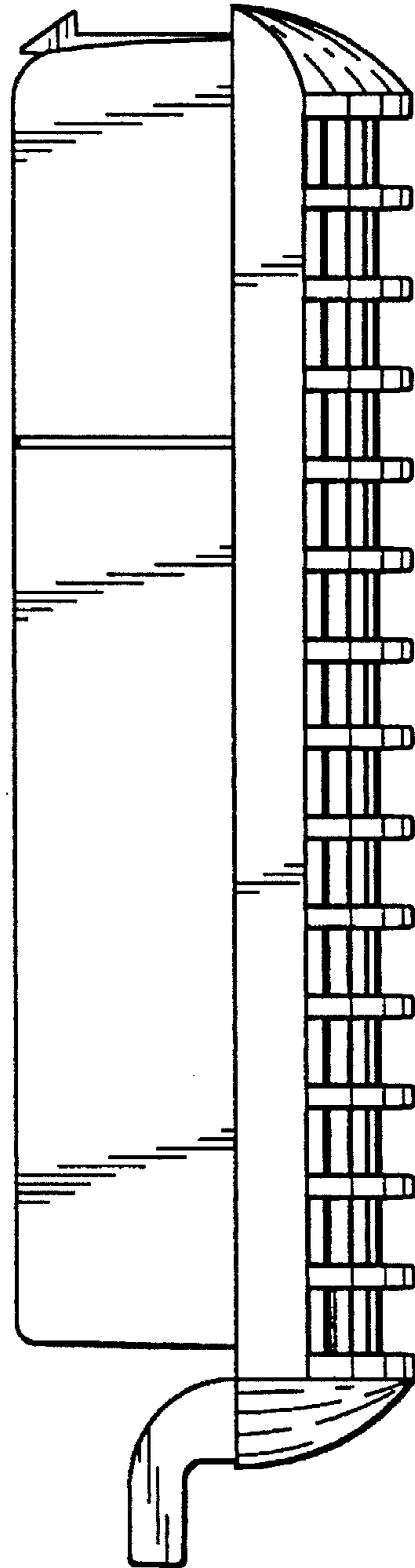
**FIG. 4**



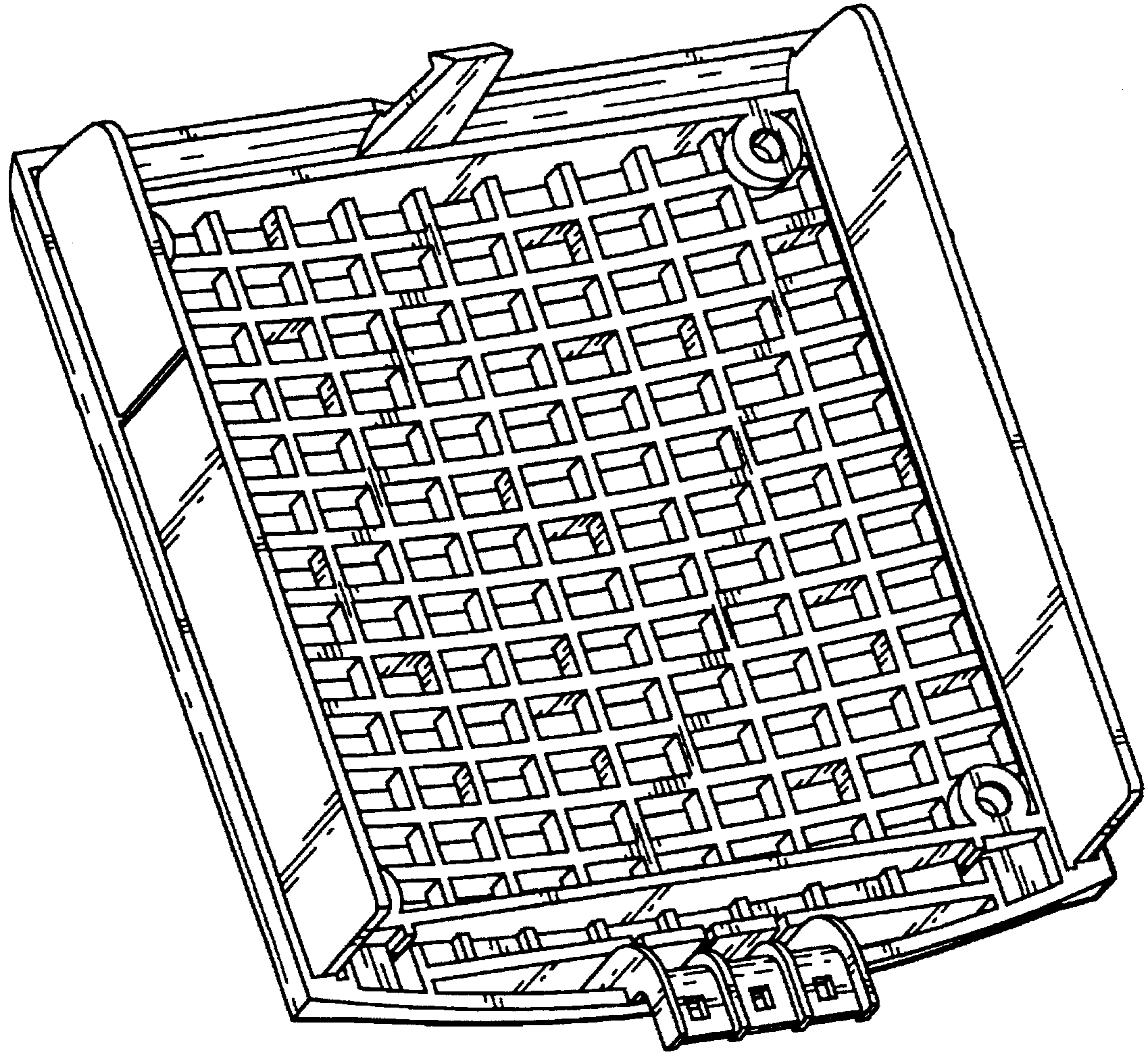
**FIG. 5**



**FIG. 6**



**FIG. 7**



**FIG. 8**