



US00D382545S

United States Patent [19]

Imai et al.

[11] Patent Number: Des. 382,545

[45] Date of Patent: **Aug. 19, 1997

[54] PORTABLE COMMUNICATION TERMINAL

[75] Inventors: Fumihito Imai; Michio Nagai; Keigo Kawasaki, all of Tokyo, Japan

[73] Assignee: NEC Corporation, Tokyo, Japan

[**] Term: 14 Years

[21] Appl. No.: 50,341

[22] Filed: Feb. 15, 1996

[30] Foreign Application Priority Data

Aug. 15, 1995 [JP] Japan 7-23848

[51] LOC (6) Cl. 14-02

[52] U.S. Cl. D14/100; D14/138; D14/144

[58] Field of Search D14/100, 101, D14/105, 106, 107, 114, 245, 138, 140, 137, 142, 144, 230, 240, 147, 148; D18/1, 2, 7; 178/18, 19; 341/22, 23; 345/156, 168, 169, 172, 173, 87; 364/708.1; 400/472, 479, 486, 489; 379/58-61, 110, 433, 434-436, 419, 420, 428, 440

[56] References Cited

U.S. PATENT DOCUMENTS

- D. 298,242 10/1988 Watanabe D14/138
- D. 310,211 8/1990 Tanbe D14/105
- D. 337,764 7/1993 Paton et al. D14/148 X
- D. 344,391 2/1994 Drugge D14/100
- D. 354,478 1/1995 Miyahara D18/2
- D. 355,165 2/1995 Sakaguchi et al. D14/100
- D. 360,195 7/1995 Kimbrough D14/100
- D. 360,621 7/1995 Schoening D14/100
- D. 361,754 8/1995 Jambhekar et al. D14/100
- D. 362,252 9/1995 Ansell et al. D14/138

- D. 363,069 10/1995 Bro D14/100
- D. 364,616 11/1995 Oda et al. D14/138
- D. 370,207 5/1996 Grewe et al. D14/100
- 5,189,632 2/1993 Paajanen 379/58 X
- 5,422,656 6/1995 Allard et al. 345/173
- 5,446,789 8/1995 Loy et al. 379/434 X
- 5,526,411 6/1996 Krieter 379/433

OTHER PUBLICATIONS

IBM's publication "SIMON" published prior to Aug. 15, 1995.

Primary Examiner—Jeffrey Asch
Attorney, Agent, or Firm—Sughrue, Mion, Zinn, Macpeak & Seas

[57] CLAIM

The ornamental design for a portable communication terminal, as shown and described.

DESCRIPTION

FIG. 1 is a perspective view of the top, front and right side of a portable communication terminal showing our new design;

FIG. 2 is a front elevational view thereof;

FIG. 3 is a rear elevational view thereof;

FIG. 4 is a left side elevational view thereof;

FIG. 5 is a right side elevational view thereof;

FIG. 6 is a top plan view thereof;

FIG. 7 is a bottom plan view thereof;

FIG. 8 is a perspective view of the top, left side and bottom with a cover in the open position and the antenna in an upright position;

FIG. 9 is a front elevational view thereof;

FIG. 10 is a top plan view thereof; and,

FIG. 11 is a left side elevational view thereof.

1 Claim, 4 Drawing Sheets

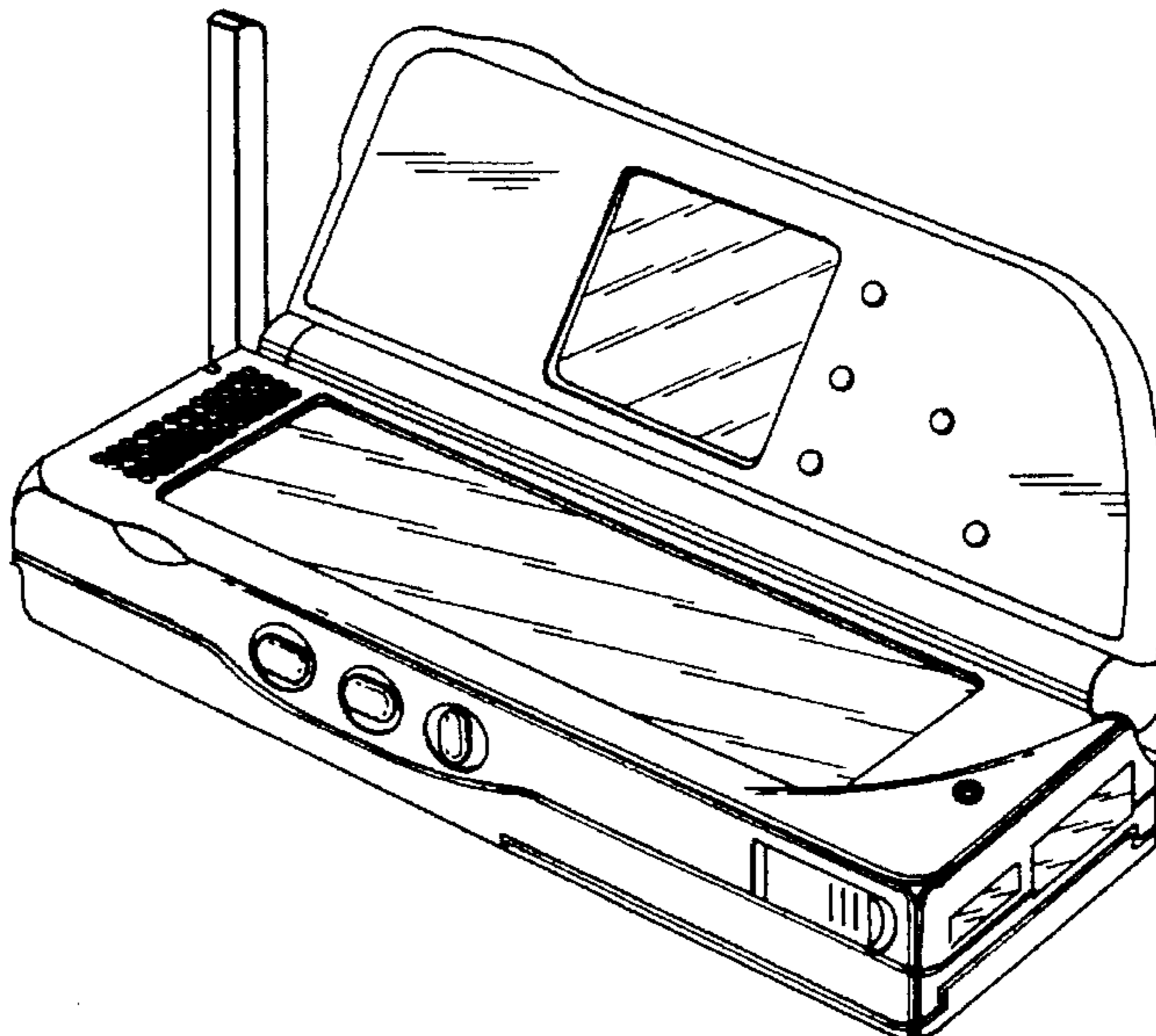
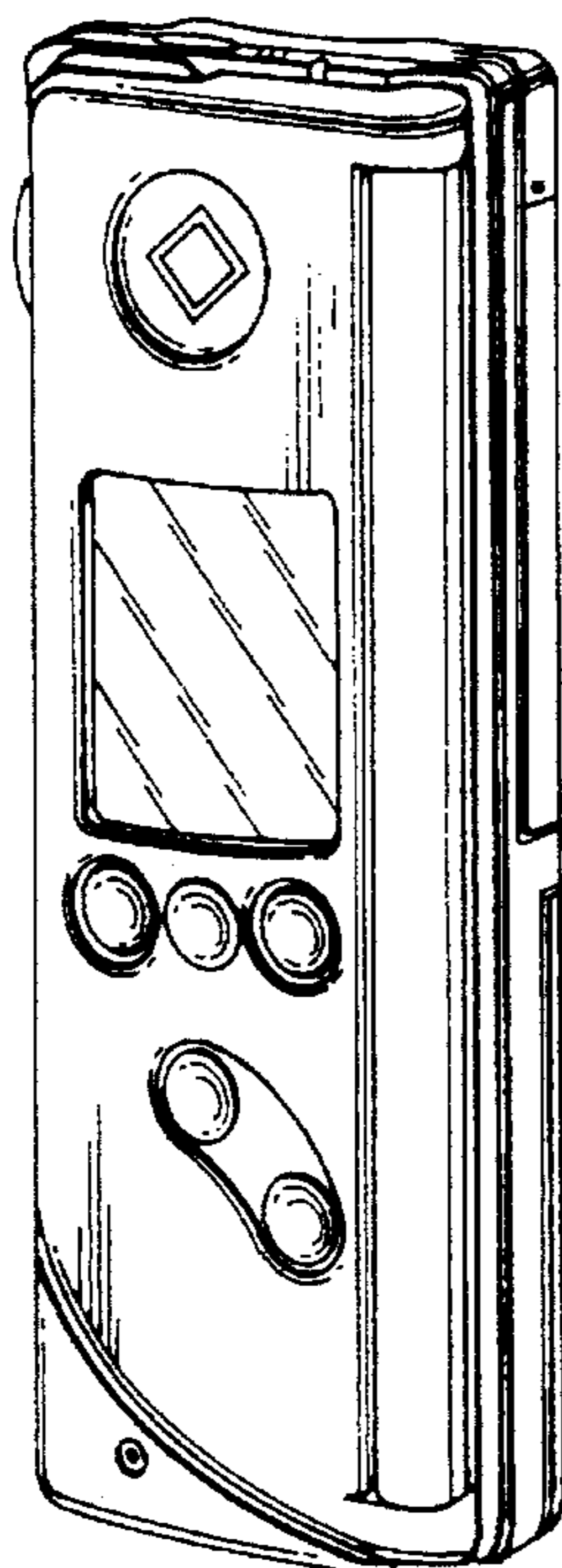


FIG. 1

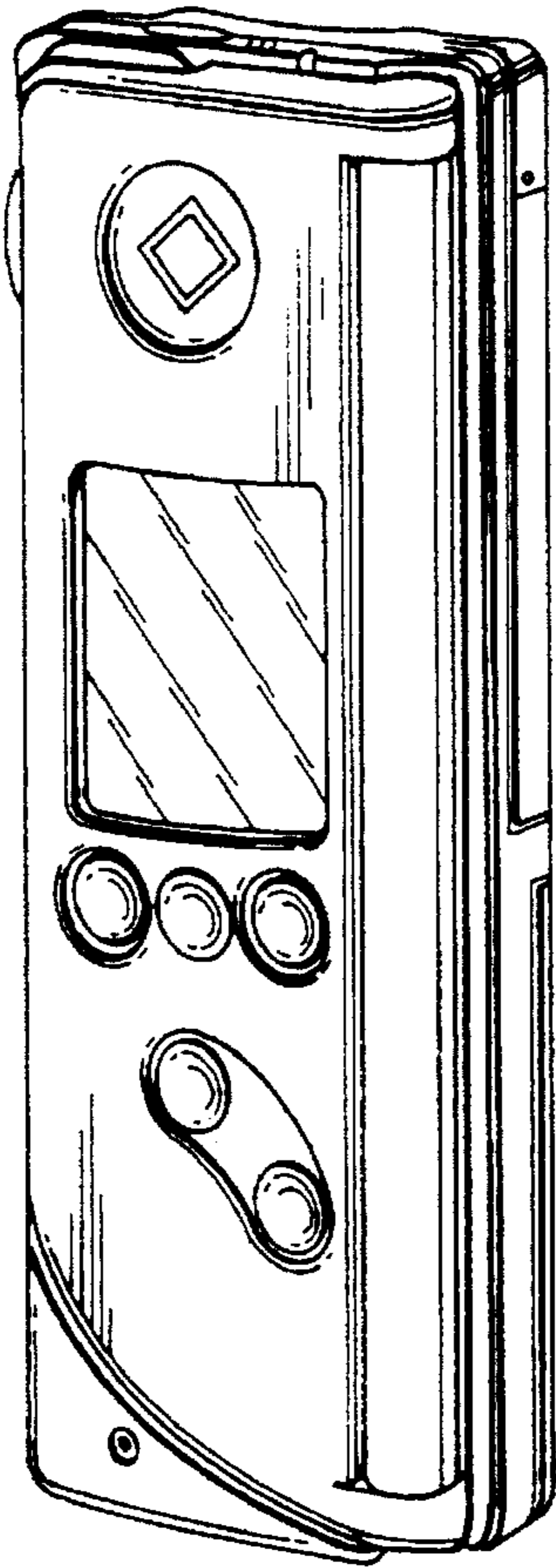


FIG. 8

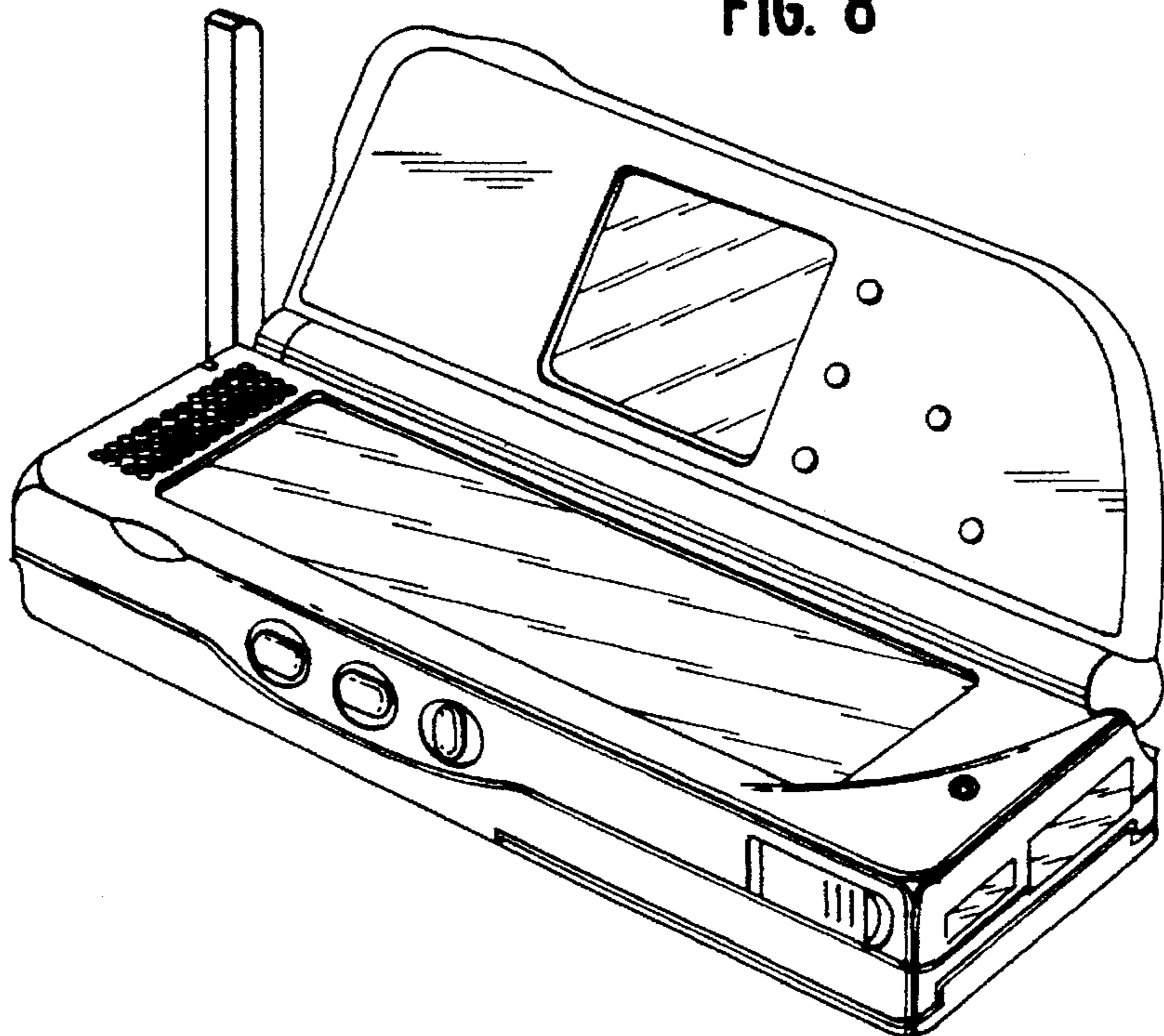


FIG. 2

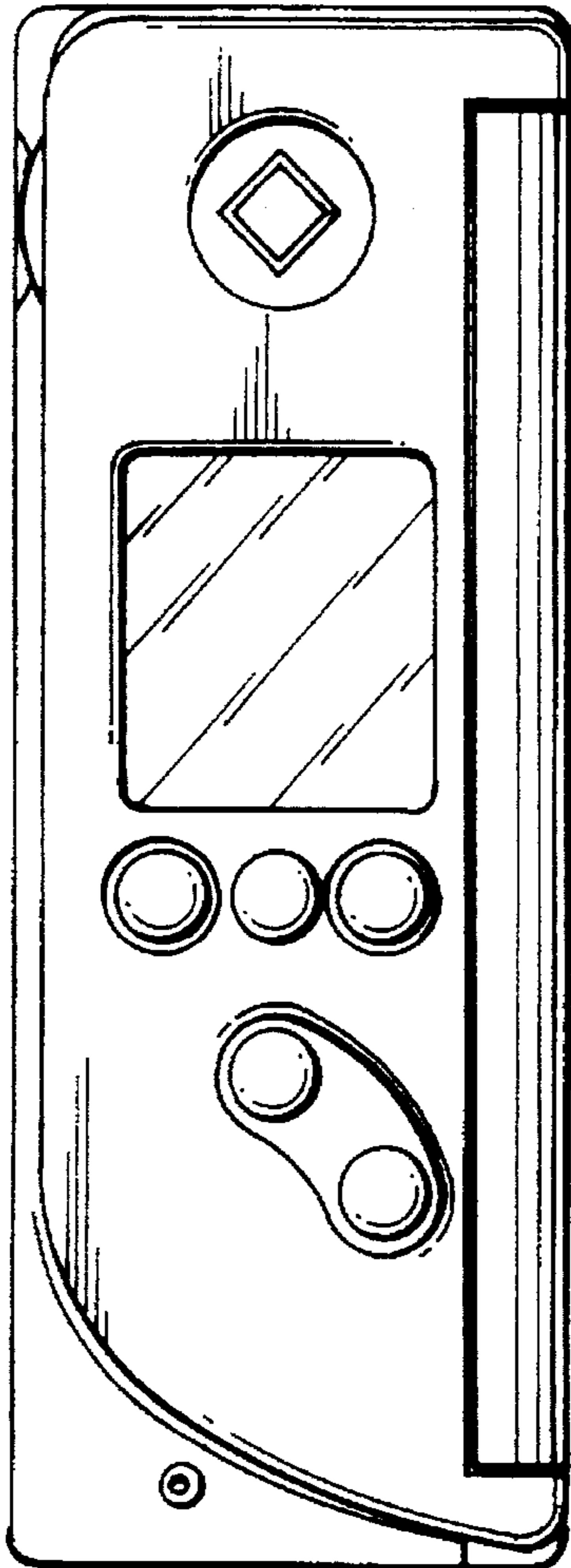


FIG. 3

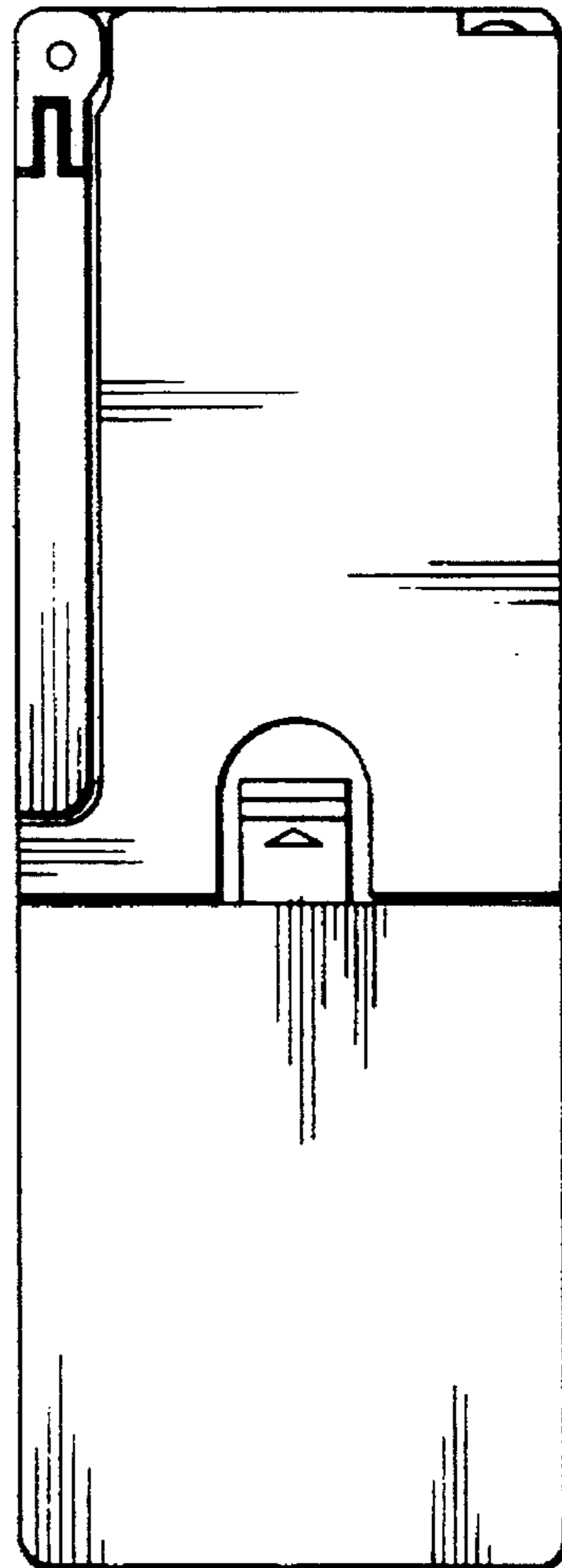


FIG. 6

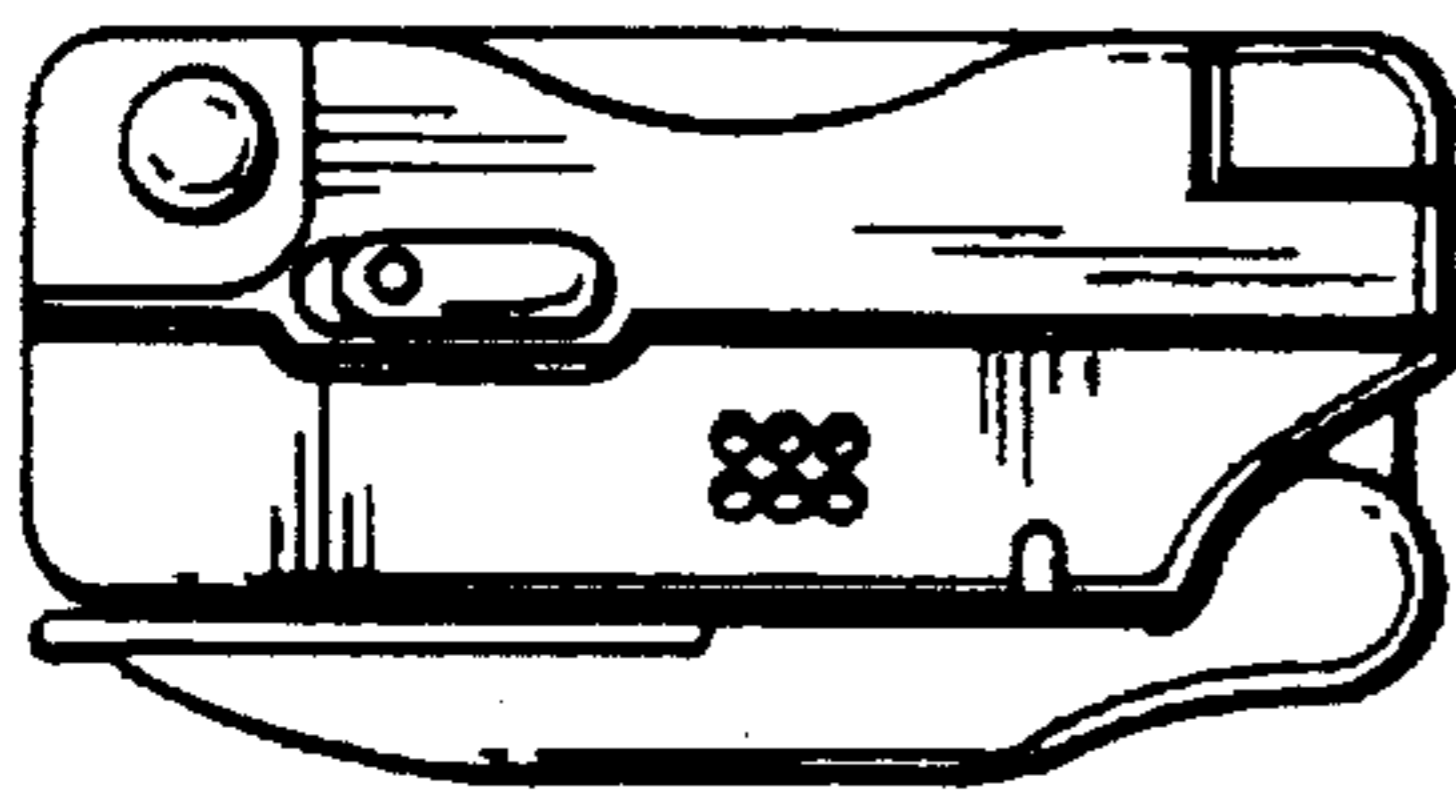


FIG. 7

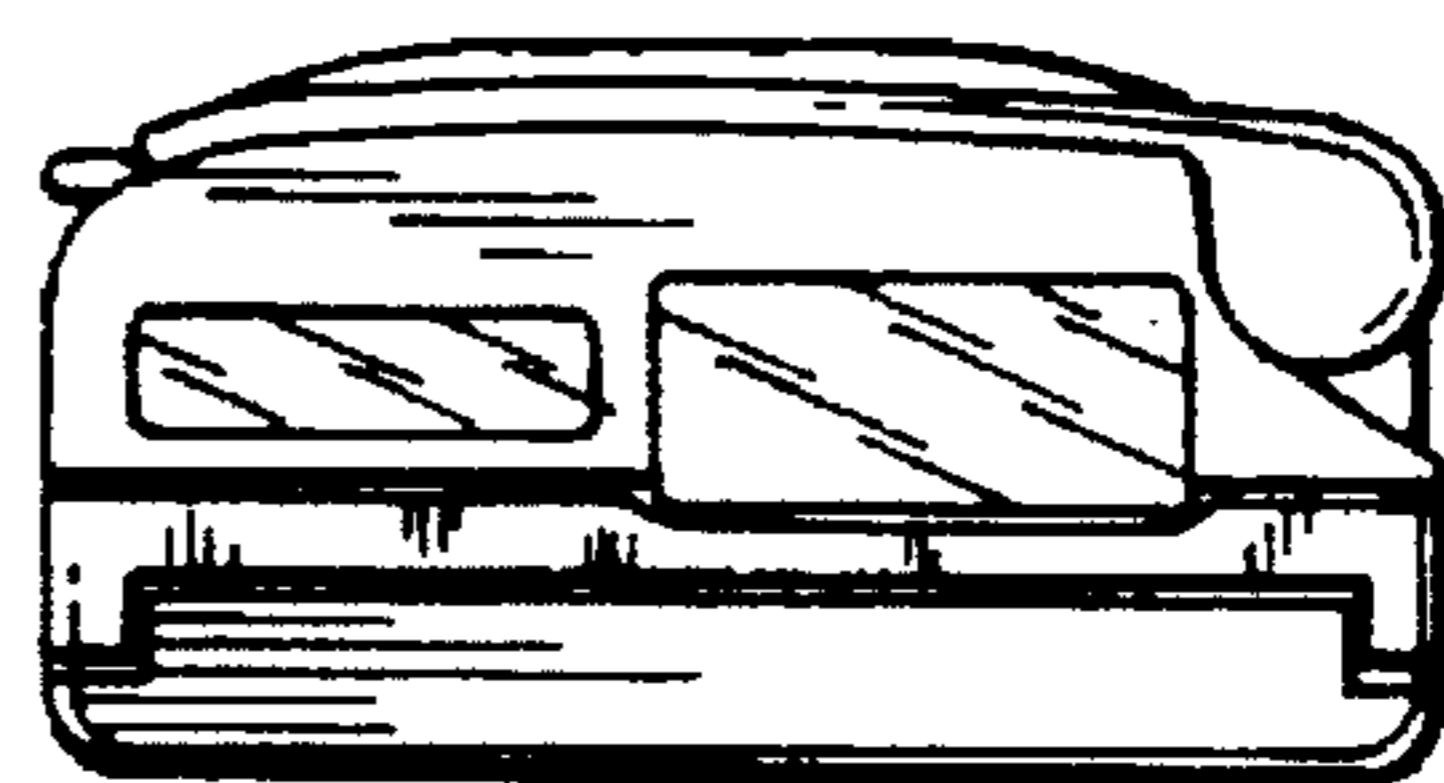


FIG. 4

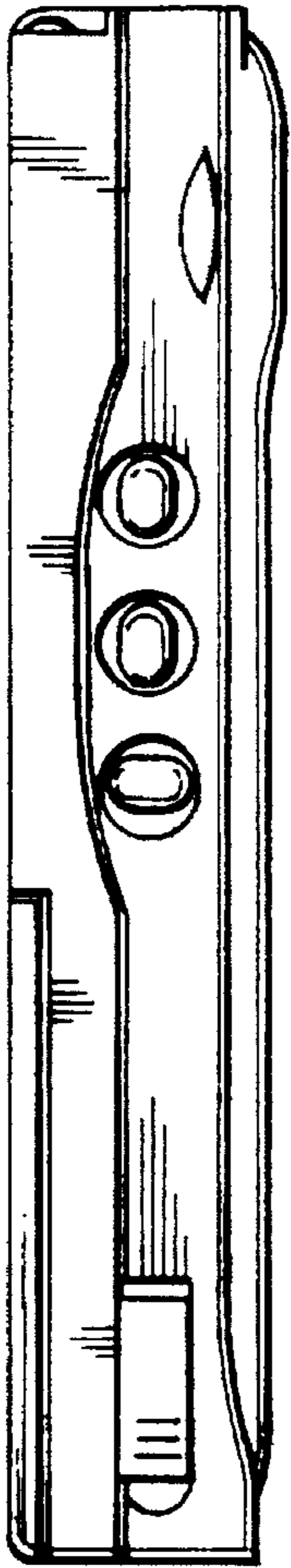


FIG. 5

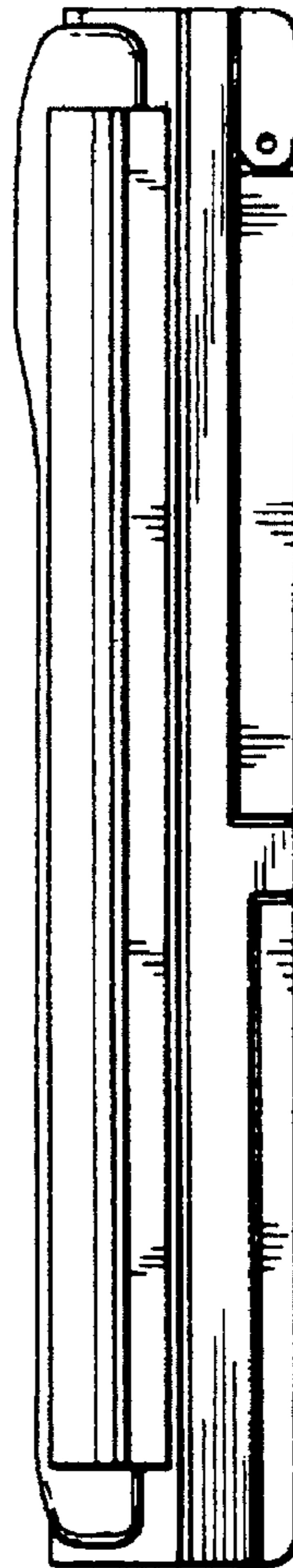


FIG. 9

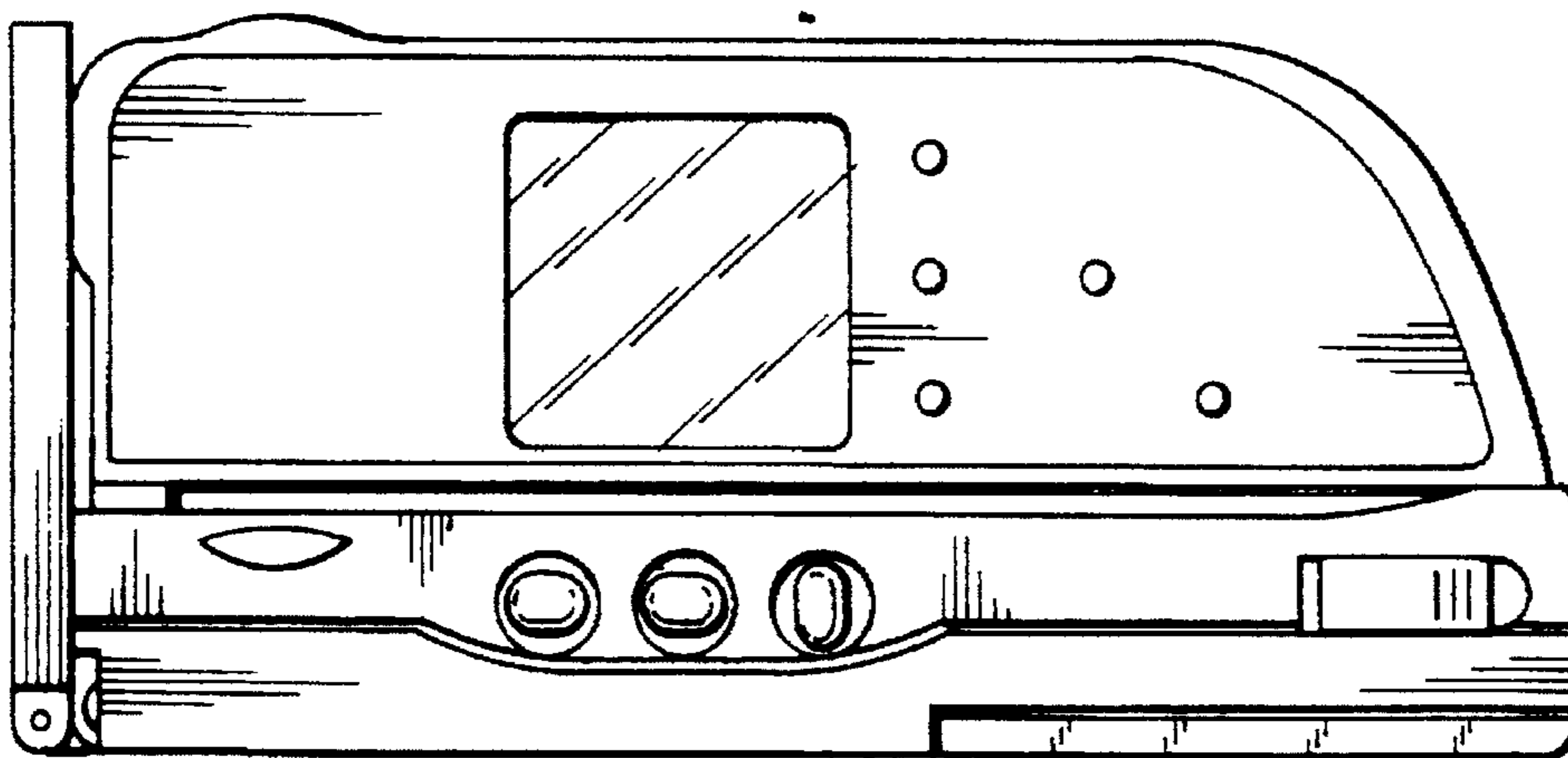


FIG. 10

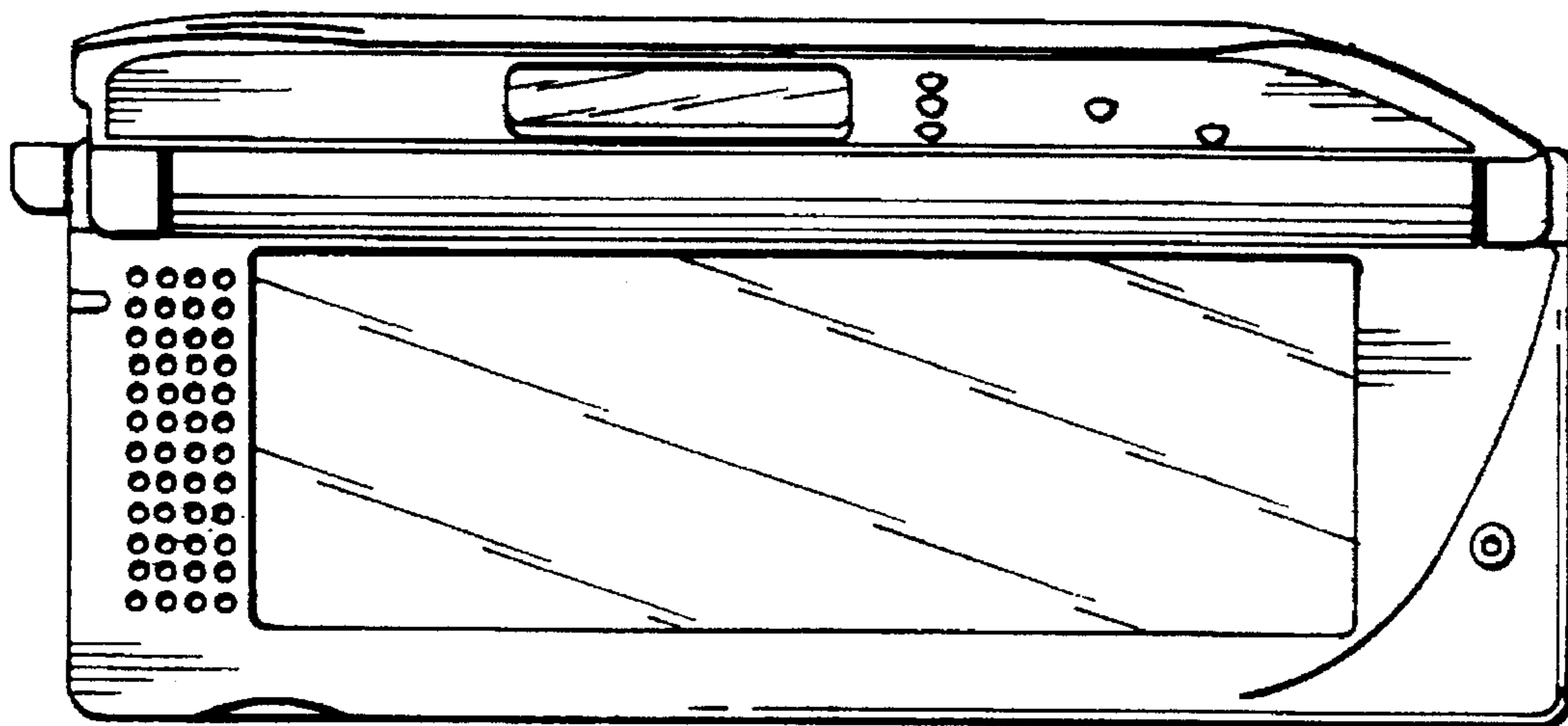


FIG. 11

