



US00D382540S

**United States Patent** [19]  
**Hahn**

[11] **Patent Number: Des. 382,540**

[45] **Date of Patent: \*\*Aug. 19, 1997**

[54] **INTERCHANGEABLE PLUG DEVICE**

[75] **Inventor: Stan S. Hahn, Moraga, Calif.**

[73] **Assignee: Asian Micro Sources, Inc., Moraga, Calif.**

[\*\*] **Term: 14 Years**

[21] **Appl. No.: 56,253**

[22] **Filed: Jun. 18, 1996**

**Related U.S. Application Data**

[62] **Division of Ser. No. 44,048, Sep. 15, 1995.**

[51] **LOC (6) CL ..... 13-03**

[52] **U.S. Cl. .... D13/138**

[58] **Field of Search ..... D13/133, 138,  
D13/143, 146; 439/171, 172, 173, 221**

[56] **References Cited**

**U.S. PATENT DOCUMENTS**

D. 292,700 11/1987 Rauch ..... D13/139

4,571,717	2/1986	Reichel et al. ....	269/256
4,776,814	10/1988	Geurts .....	439/694
4,815,983	3/1989	Erickson et al. ....	439/173
5,106,317	4/1992	Taylor .....	439/173
5,324,214	6/1994	De Castro .....	439/621

*Primary Examiner*—Joel Sincavage  
*Attorney, Agent, or Firm*—Adam H. Tachner; Crosby, Heafey, Roach & May

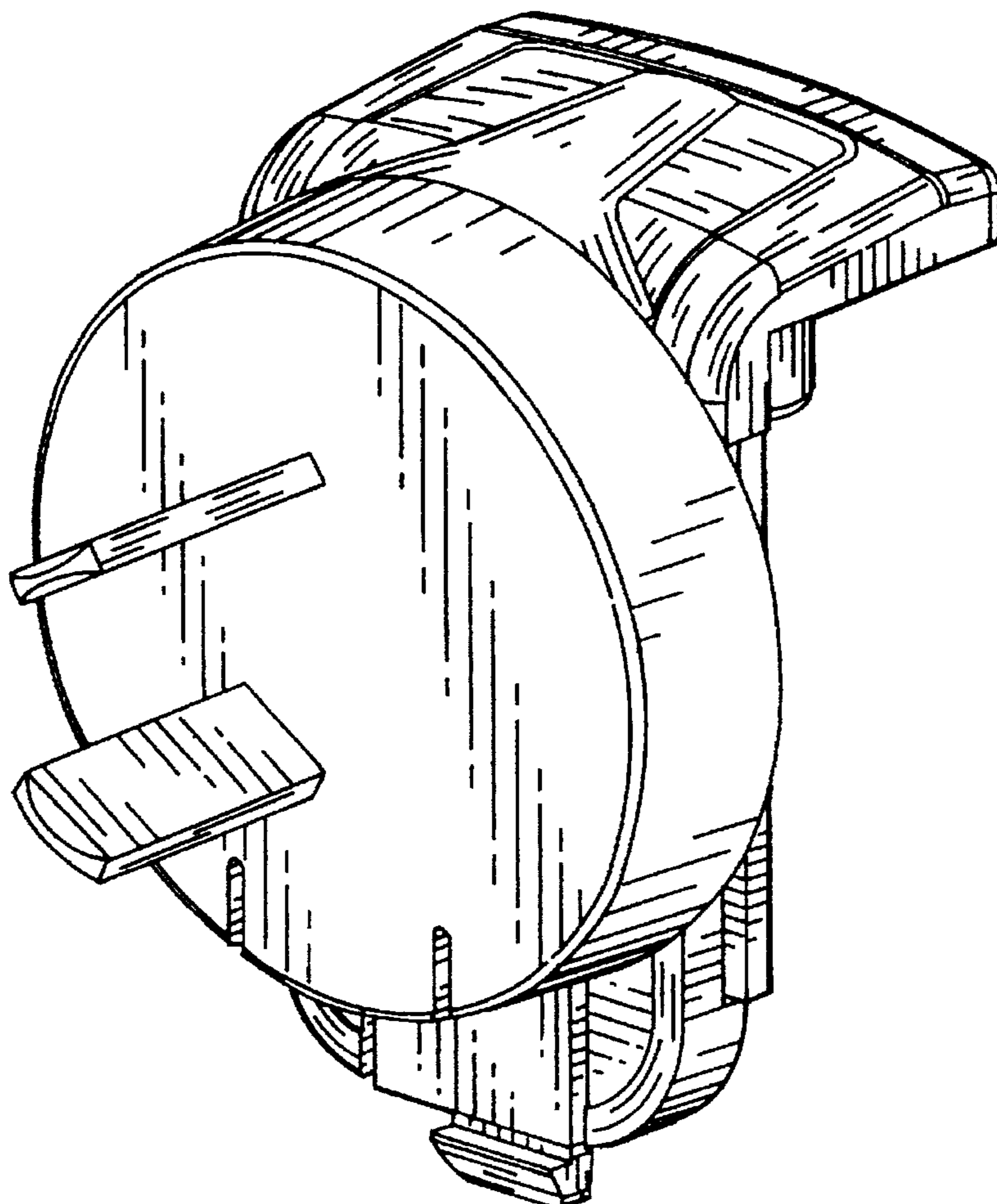
[57] **CLAIM**

The ornamental design for an interchangeable plug device, as shown and described.

**DESCRIPTION**

FIG. 1 is a top view of the present invention;  
FIG. 2 is a bottom view thereof;  
FIG. 3 is a front view thereof;  
FIG. 4 is a rear view thereof;  
FIG. 5 is a right side view thereof;  
FIG. 6 is a left side view thereof; and,  
FIG. 7 is a front and upper right perspective view thereof.

**1 Claim, 4 Drawing Sheets**



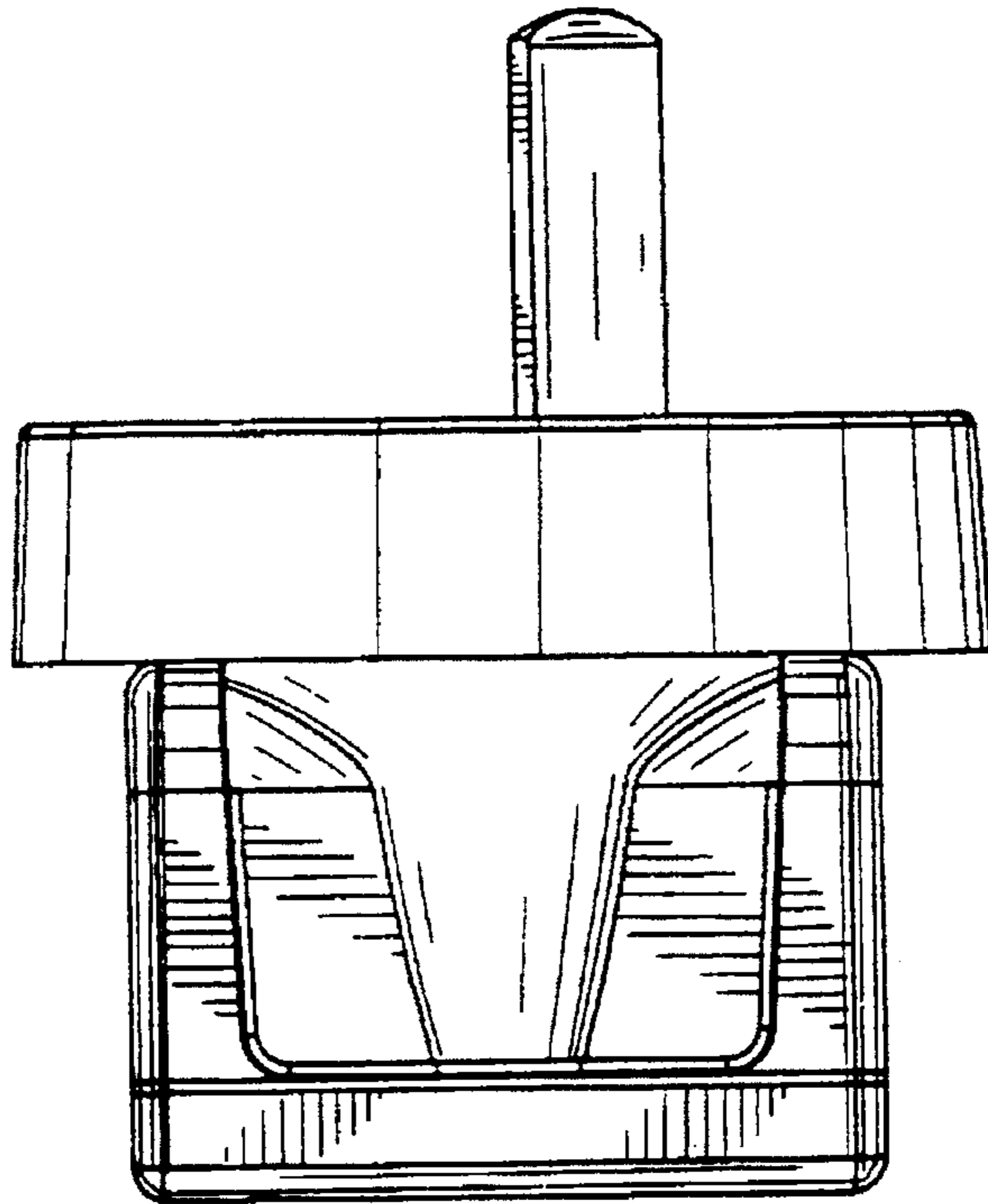


FIG. 1

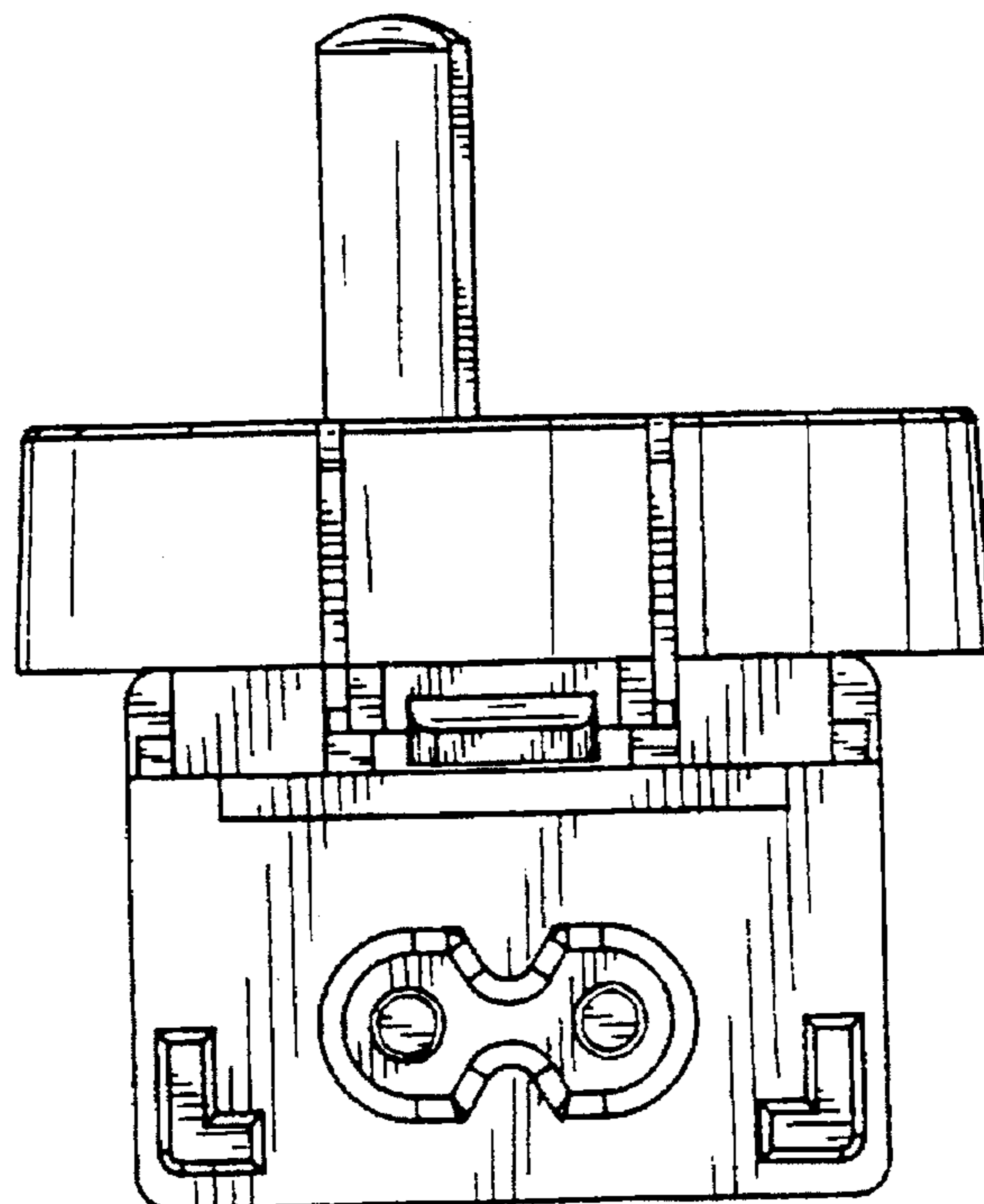


FIG. 2

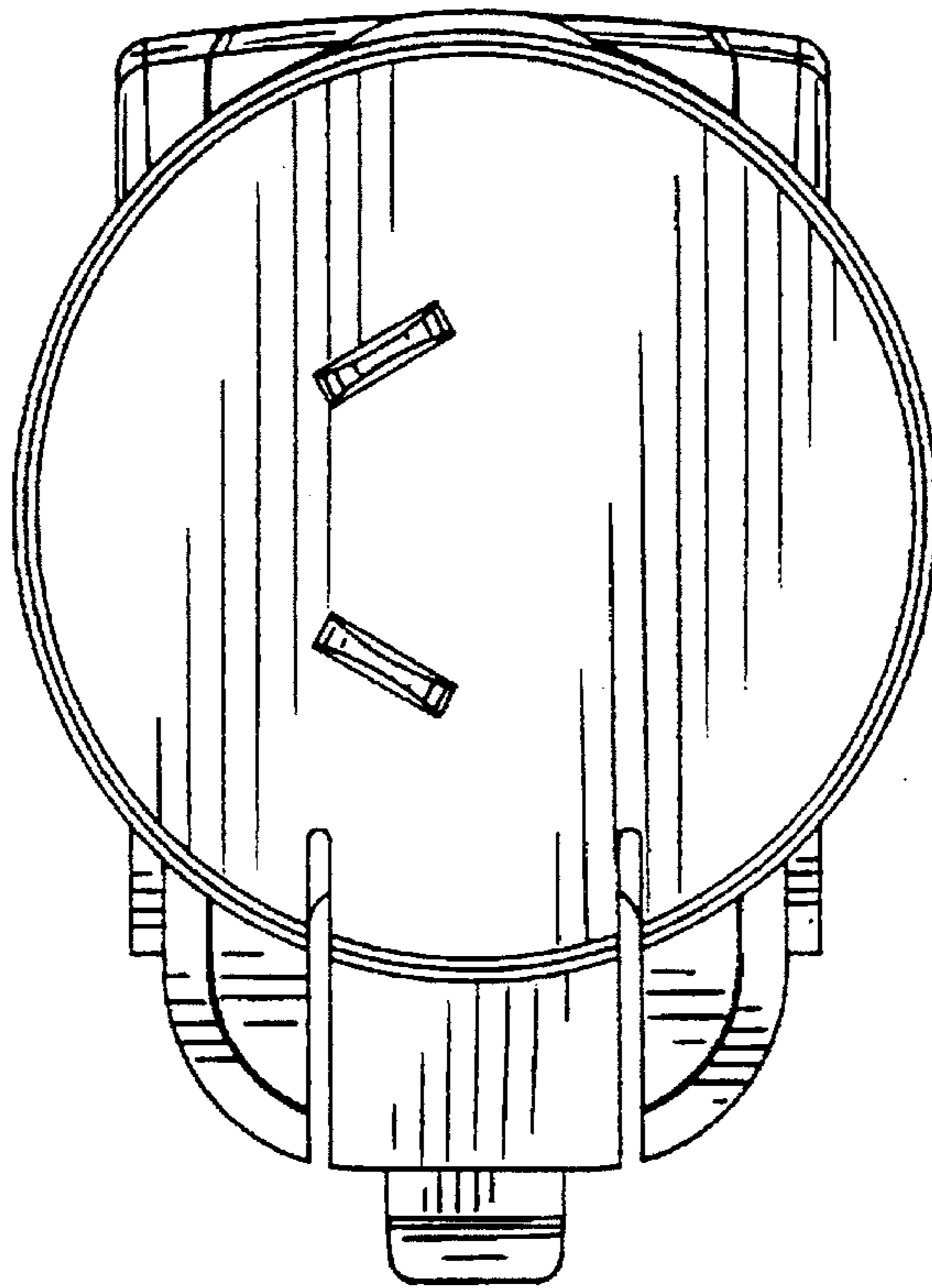


FIG. 3

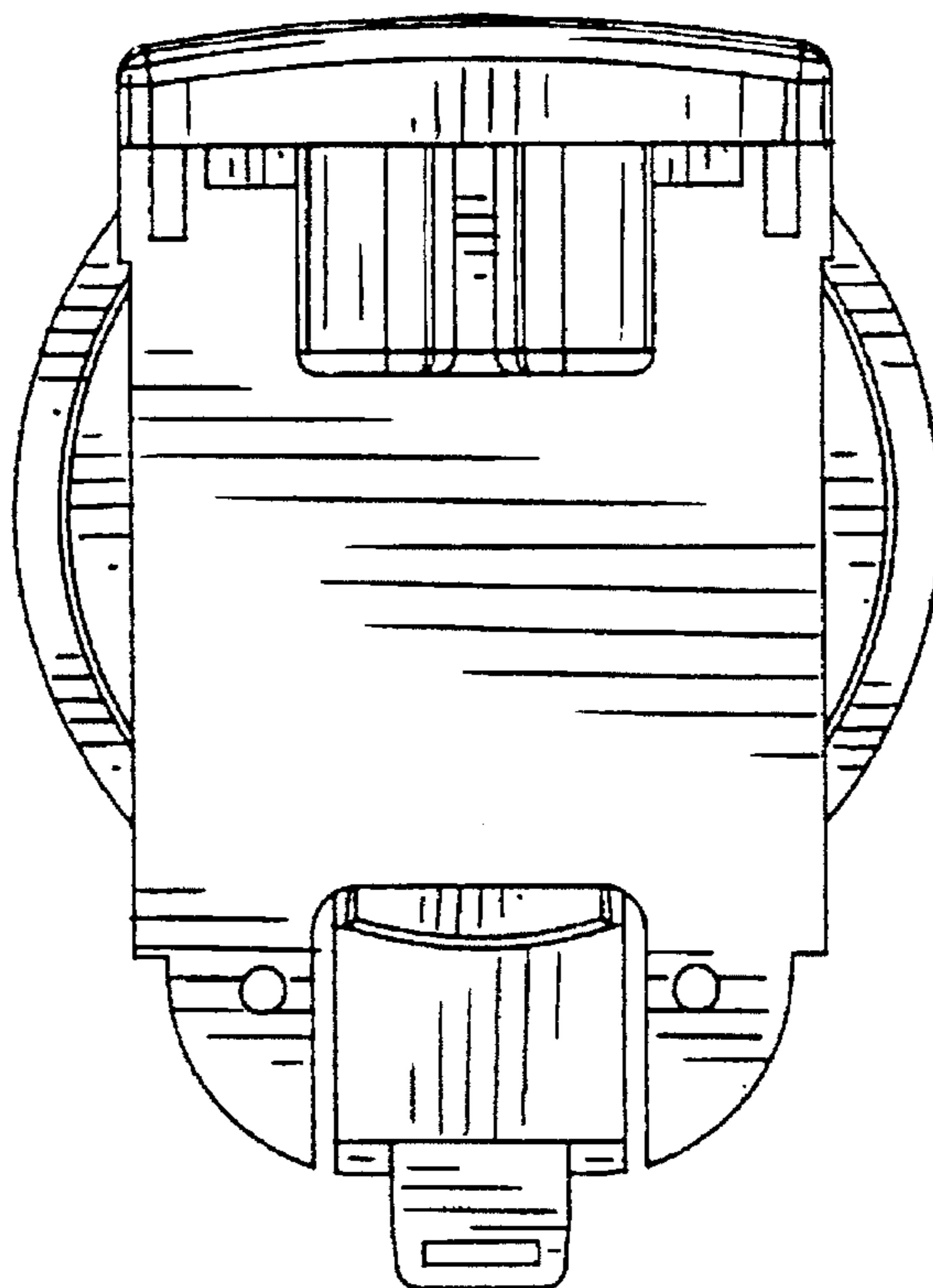


FIG. 4

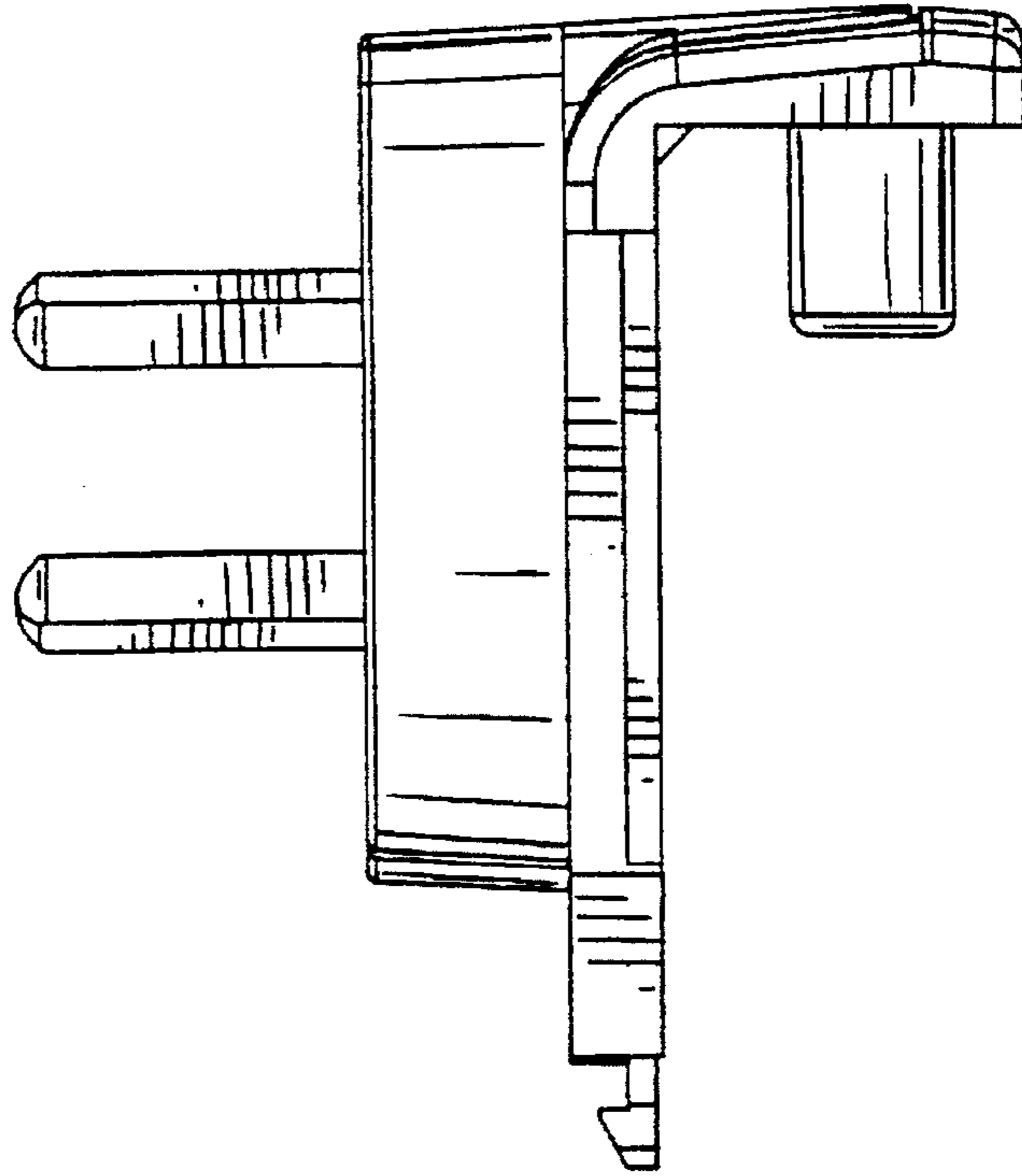


FIG. 5

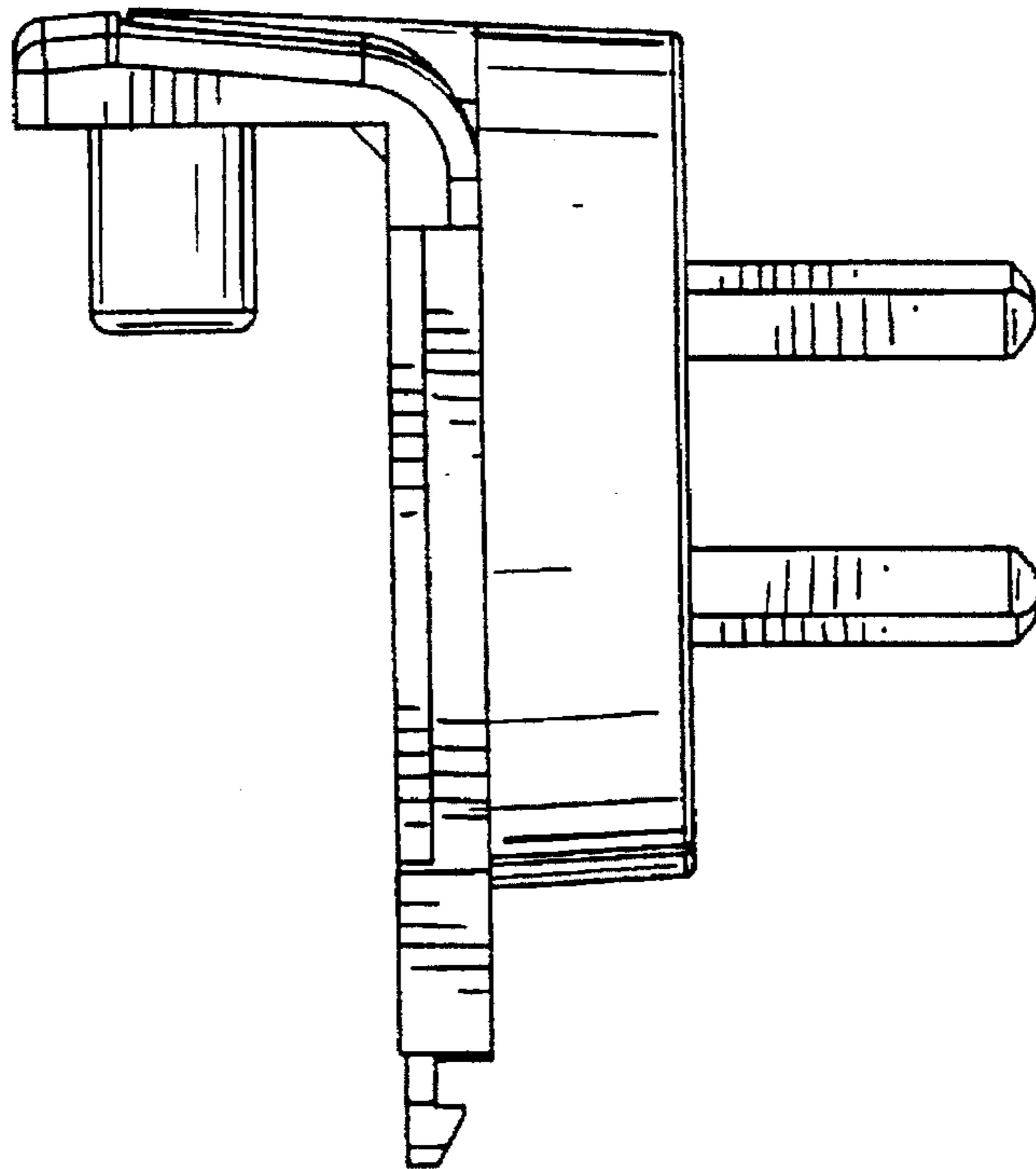


FIG. 6

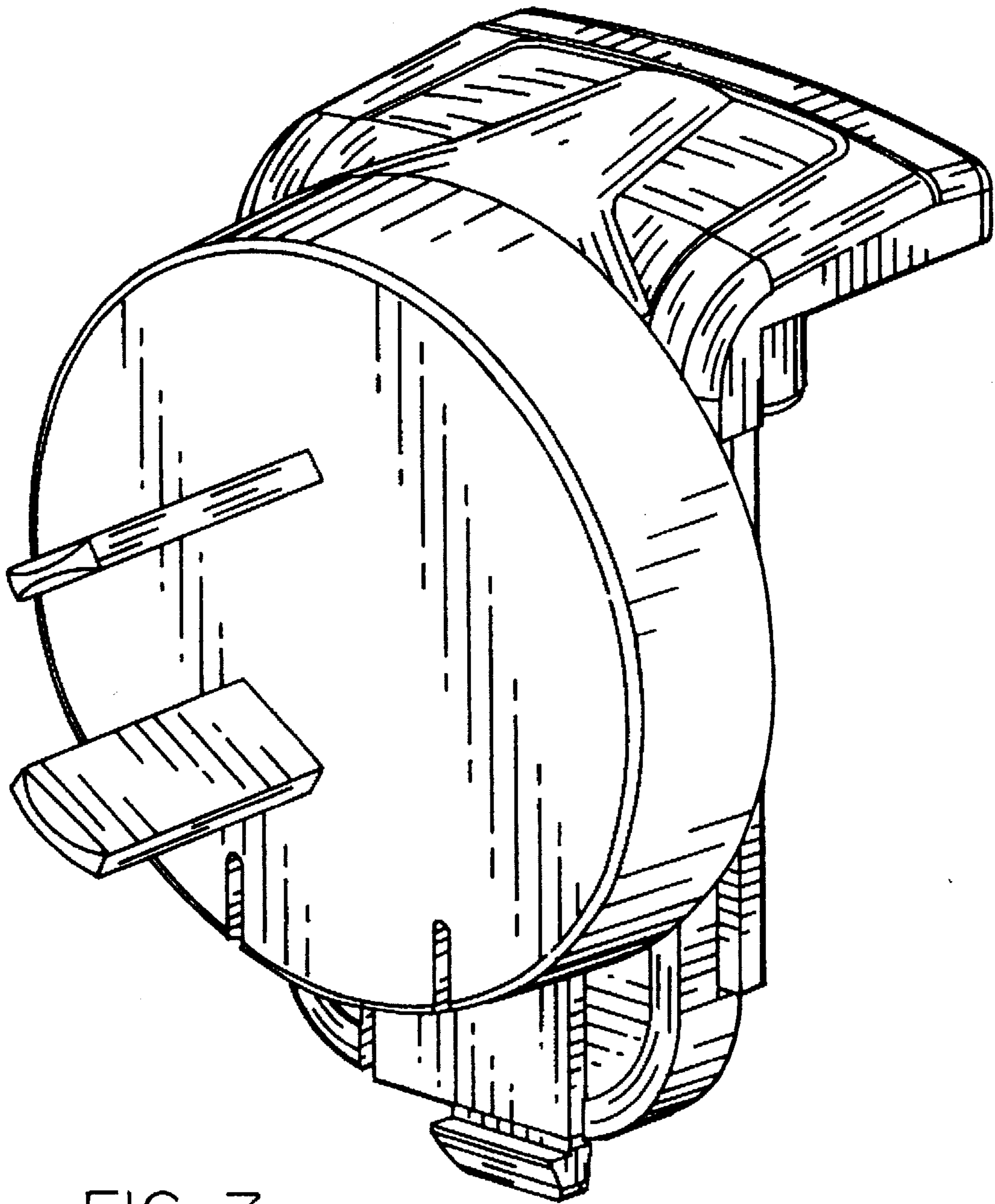


FIG. 7