



US00D382532S

# United States Patent [19]

Hazen

[11] Patent Number: **Des. 382,532**

[45] Date of Patent: **\*\*Aug. 19, 1997**

[54] **CHILD'S PADDLE BOAT**

[76] Inventor: **Edyie Hazen**, 12419 W. Greenfield Dr.,  
Lansing, Mich. 48917

[\*\*] Term: **14 Years**

[21] Appl. No.: **52,059**

[22] Filed: **Mar. 22, 1996**

[51] LOC (6) Cl. .... **12-06**

[52] U.S. Cl. .... **D12/306; D21/236**

[58] Field of Search .... **D12/300-318;**  
**114/270; 440/31, 30, 27, 26**

[56] **References Cited**

### U.S. PATENT DOCUMENTS

D. 235,532 6/1975 Bernard ..... D12/306  
D. 357,222 4/1995 Lunter et al. .... D12/316

*Primary Examiner*—Kay H. Chin

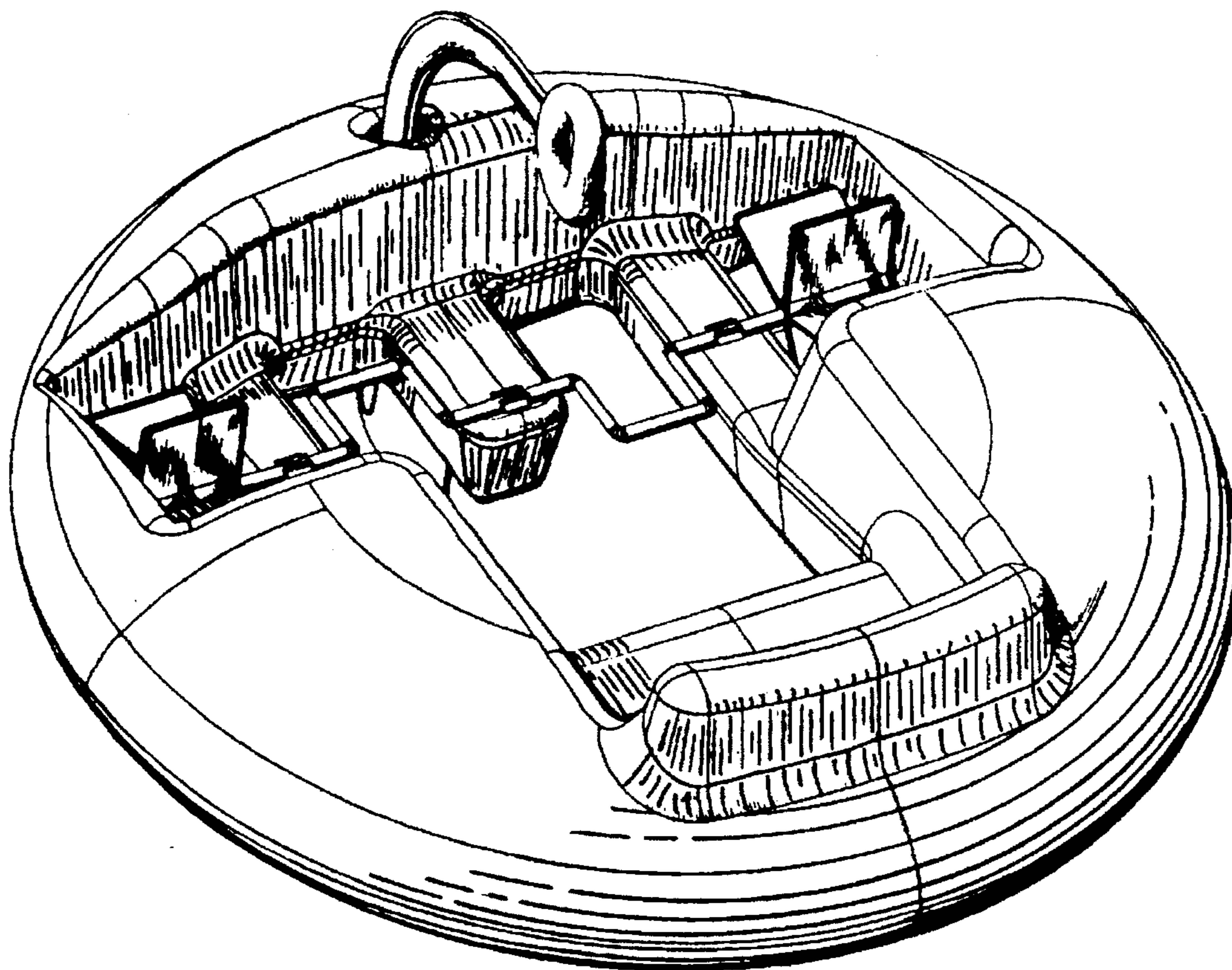
[57] **CLAIM**

The ornamental design for a child's paddle boat, as shown.

### DESCRIPTION

FIG. 1 is a perspective view; and,  
FIG. 2 is a plan view.

**1 Claim, 1 Drawing Sheet**



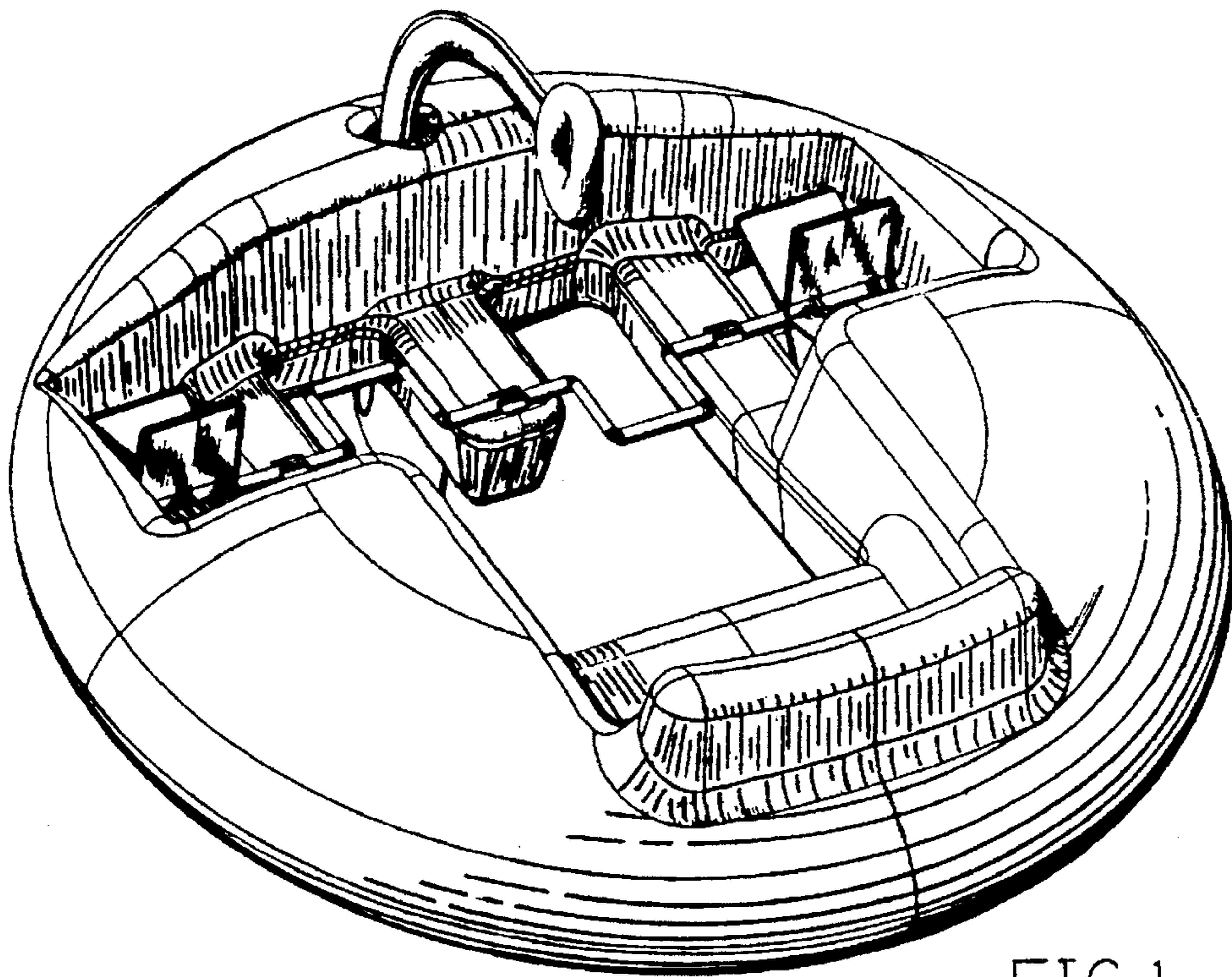


FIG. 1

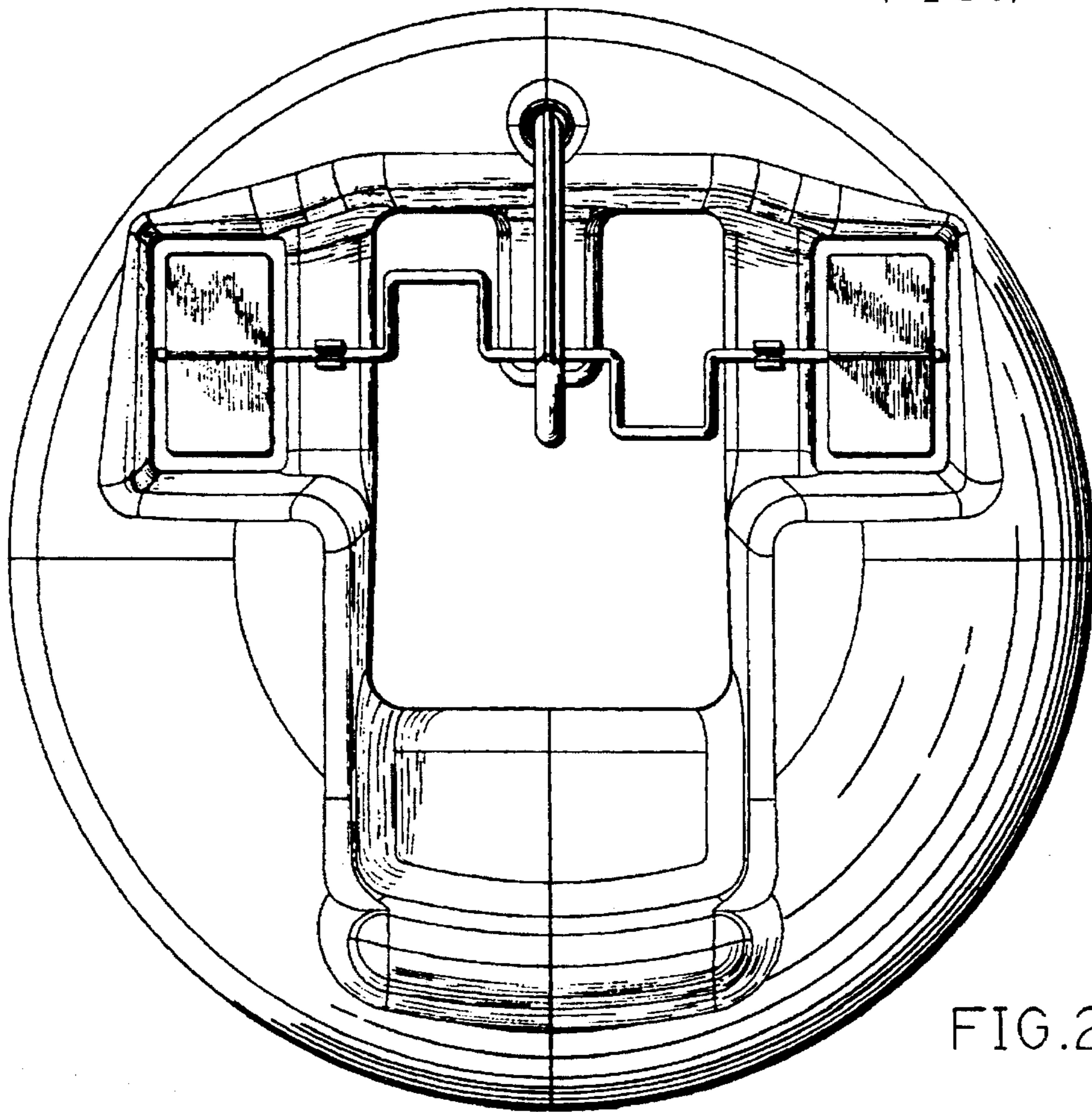


FIG. 2