



US00D382519S

# United States Patent [19]

Young et al.

[11] Patent Number: Des. 382,519

[45] Date of Patent: \*\*Aug. 19, 1997

[54] TIRE TREAD

[75] Inventors: Deborah Lynn Young, Copley, Ohio;  
Susan Marie Spaeth, Strassen,  
Luxembourg

[73] Assignee: The Goodyear Tire & Rubber  
Company, Akron, Ohio

[\*\*] Term: 14 Years

[21] Appl. No.: 50,294

[22] Filed: Feb. 14, 1996

[51] LOC (6) Cl. .... 12-15

[52] U.S. Cl. .... D12/143

[58] Field of Search ..... D12/141-143,  
D12/134, 136; 12/209 R, 209 D

[56] References Cited

U.S. PATENT DOCUMENTS

D. 221,040	6/1971	Ravenhall	.....	D12/142
D. 243,449	2/1977	Hayakawa et al.	.....	12/142
D. 244,181	5/1977	Maeda et al.	.....	12/142
D. 251,187	2/1979	Mirtain et al.	.....	D12/143
D. 253,642	12/1979	Amarger	.....	12/142
D. 260,142	8/1981	Takigawa et al.	.....	12/146
D. 286,033	10/1986	Motomura et al.	.....	12/142
D. 288,914	3/1987	Hinkel et al.	.....	12/143
D. 290,941	7/1987	Matsuda	.....	12/142
D. 304,557	11/1989	Ochiai	.....	12/146
D. 317,427	6/1991	Enoki et al.	.....	12/143
D. 317,737	6/1991	Enoki et al.	.....	12/143
D. 318,035	7/1991	Enoki et al.	.....	12/143
D. 326,438	5/1992	Tsukagoshi et al.	.....	12/142
D. 348,238	6/1994	Ebbott	.....	D12/141
D. 352,487	11/1994	Paulin et al.	.....	12/143
D. 367,447	2/1996	Hammond et al.	.....	D12/143
4,281,702	8/1981	Grosch et al.	.....	152/209
4,619,300	10/1986	Tokunaga et al.	.....	152/209
4,630,661	12/1986	Stelzer	.....	152/209
4,697,627	10/1987	Mitsutake	.....	152/209
4,703,788	11/1987	Kusube et al.	.....	152/209

4,724,878	2/1988	Kabe et al.	.....	152/209
4,735,247	4/1988	Makino et al.	.....	152/209
4,739,812	4/1988	Ogawa et al.	.....	152/209
4,756,352	7/1988	Ogawai et al.	.....	152/209
4,890,658	1/1990	Kabe	.....	152/209
5,246,049	9/1993	Ramcke et al.	.....	152/209
5,373,881	12/1994	Enoki	.....	152/209

FOREIGN PATENT DOCUMENTS

803515	9/1990	Japan	.
3253408	11/1991	Japan	.
3258602	11/1991	Japan	.
11138	8/1990	Rep. of Korea	.

OTHER PUBLICATIONS

1995 Tire Tread Design, p. 228, See "Admiral Heintz 1702-Rad ial Truck".

Pending Application, Serial No. 29/026,189, Filed Jul. 26, 1994.

Pending Application, Serial No. 29/045,835, Filed Oct. 31, 1995.

Primary Examiner—James Gandy

Assistant Examiner—Stacia Sinuik

Attorney, Agent, or Firm—T. P. Lewandowski

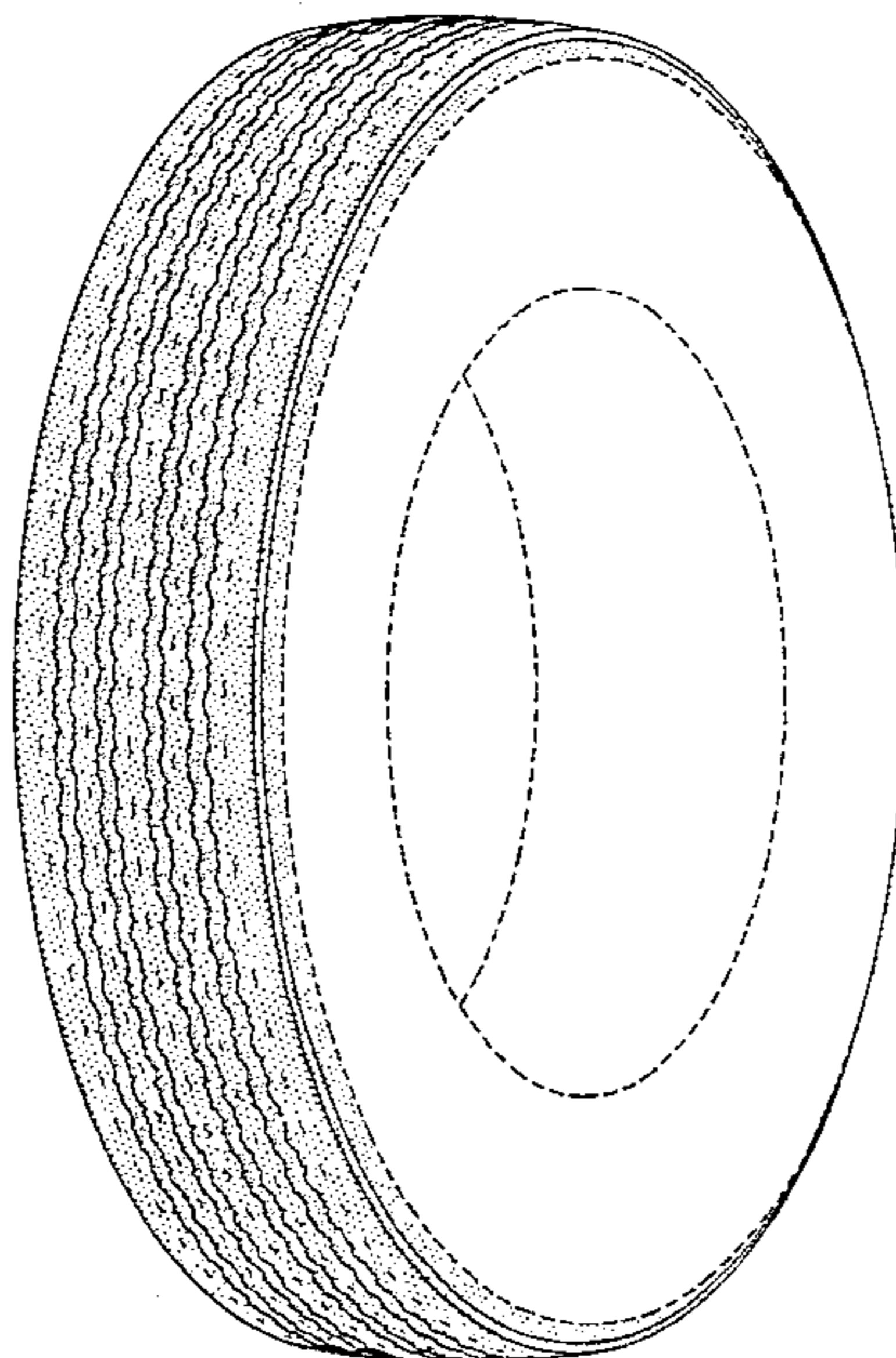
[57] CLAIM

The ornamental design for a tire tread, as shown and described.

DESCRIPTION

FIG. 1 is a perspective view of a tire tread;  
 FIG. 2 is a front elevational view thereof;  
 FIG. 3 is a side elevational view thereof; and,  
 FIG. 4 is an enlarged fragmentary front view thereof.  
 In the drawings, the broken lines defining the inner bead of the sidewall and the peripheral boundary between the tire tread and the sidewall are for illustrative purposes only and form no part of the claimed design.  
 The tread pattern is understood to be repeated uniformly throughout the circumference of the tire tread.

1 Claim, 4 Drawing Sheets



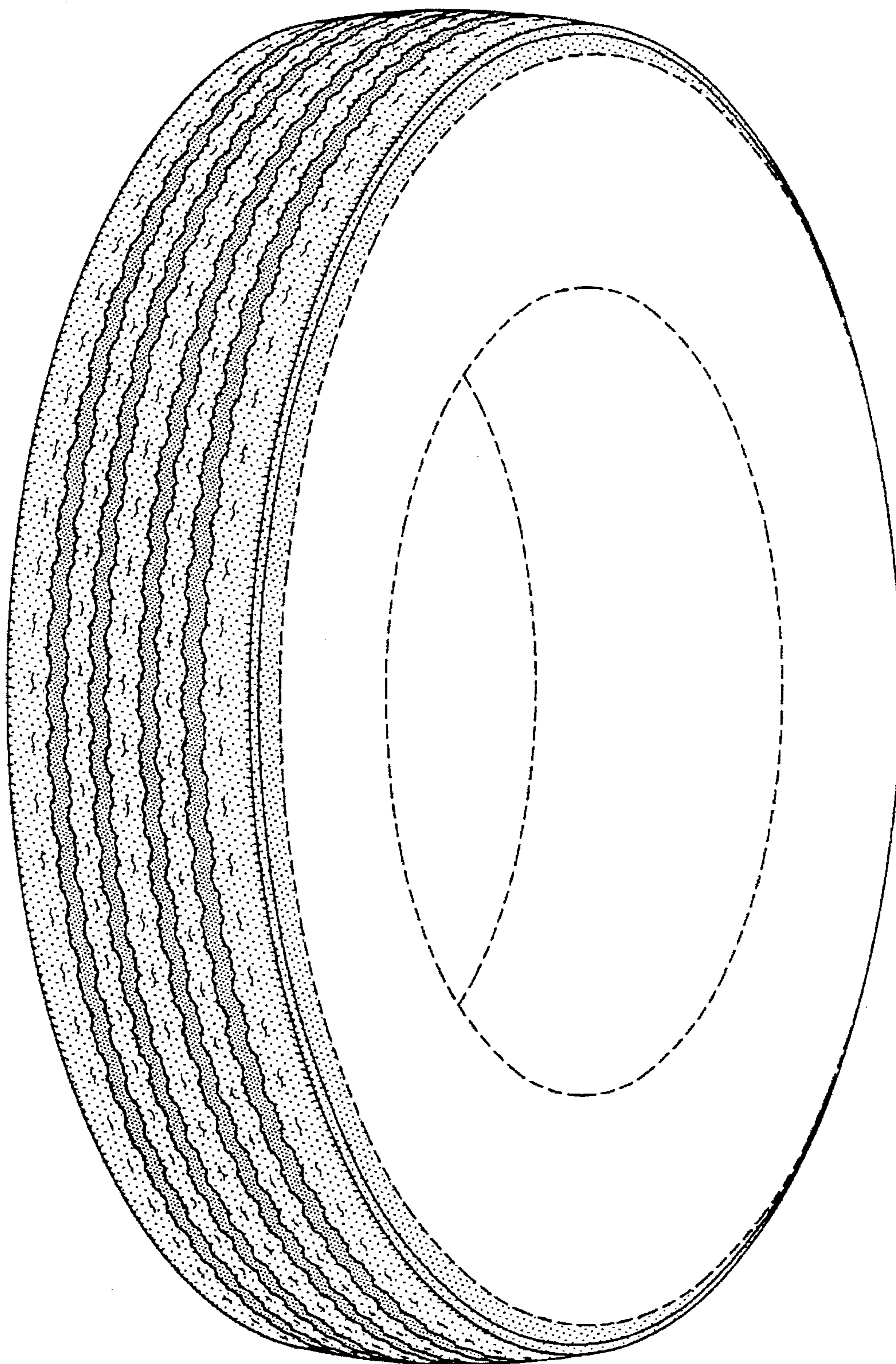


FIG-1

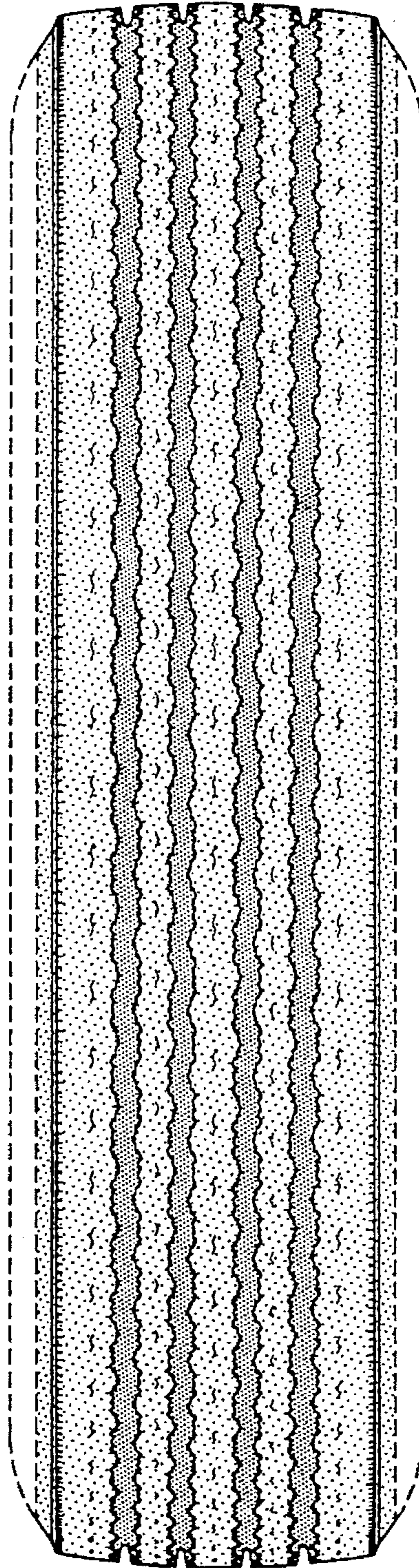


FIG-2

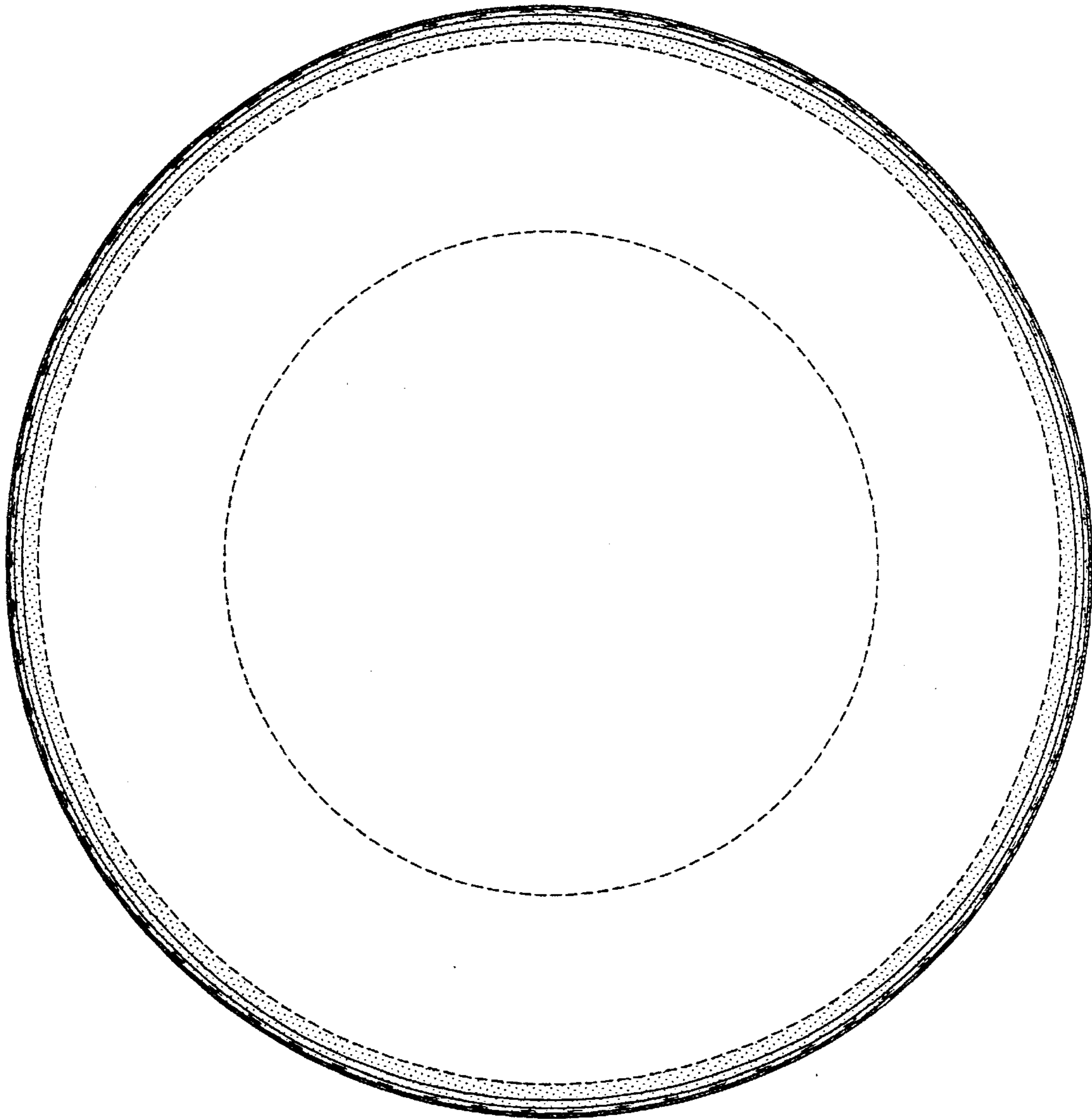


FIG-3

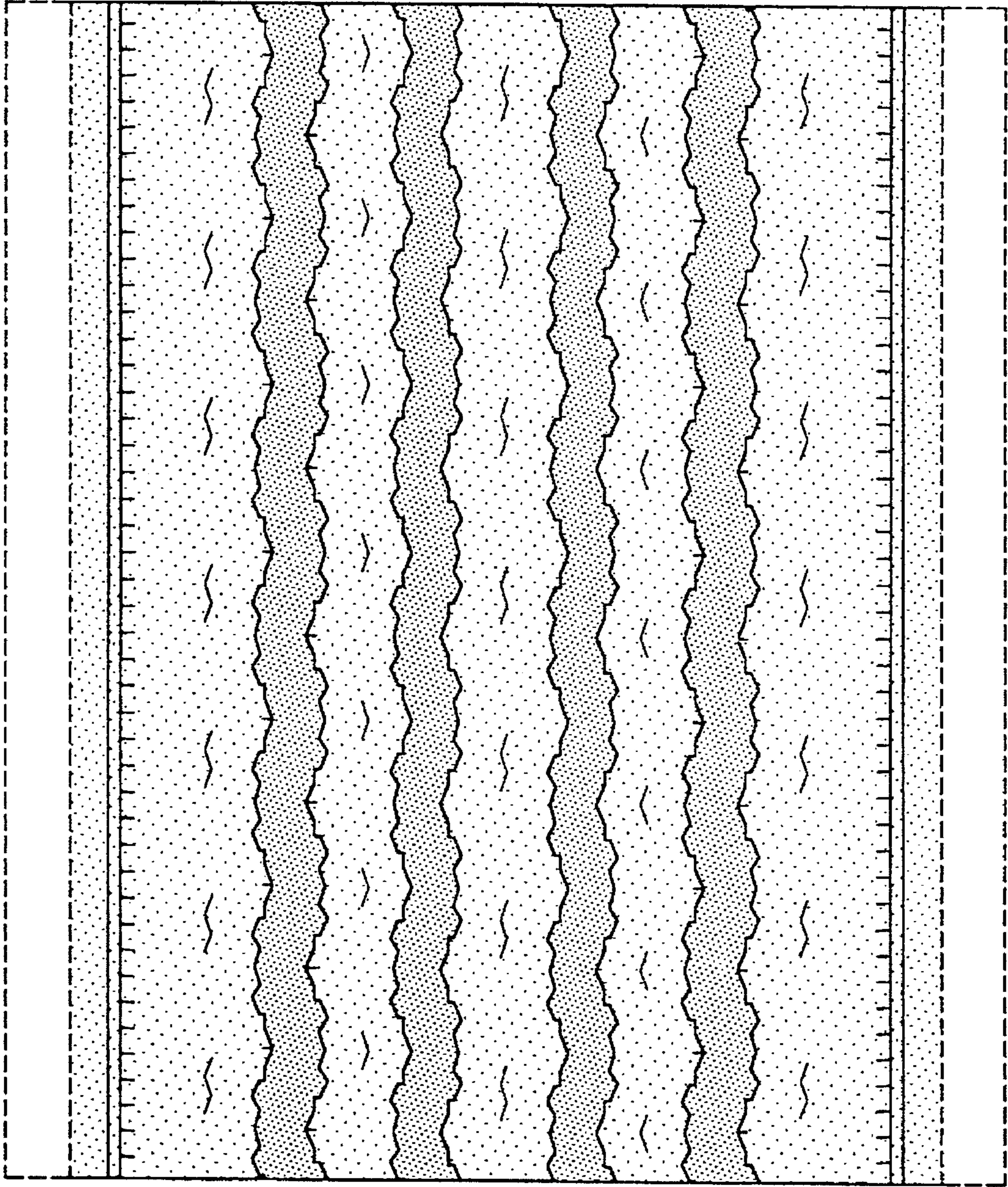


FIG-4