



US00D382515S

United States Patent [19]

[11] Patent Number: Des. 382,515

Love

[45] Date of Patent: **Aug. 19, 1997

[54] SNOW SCOOTER

OTHER PUBLICATIONS

[76] Inventor: **Rod Love**, 14801 SW. 154 Ct., Miami, Fla. 33196

Coleco, Sno-Jet Ski-Bike, Oct. 1969.

[**] Term: **14 Years**

Primary Examiner—Doris V. Coles

Assistant Examiner—Catherine R. Oliver

Attorney, Agent, or Firm—Harold H. Dutton, Jr.; Diane F. Liebman

[21] Appl. No.: **53,367**

[22] Filed: **Apr. 19, 1996**

[57] CLAIM

[51] LOC (6) Cl. 12-14

[52] U.S. Cl. D12/9; D12/10

[58] Field of Search D12/1, 6, 7, 9, D12/10, 11; 280/16, 18, 20, 21 A, 21 R, 22

The ornamental design for a snow scooter, as shown and described.

DESCRIPTION

[56] References Cited

U.S. PATENT DOCUMENTS

D. 202,362	9/1965	Atsushi	D12/10
D. 223,166	3/1972	Kuntz	D12/10
D. 298,111	10/1988	Kaptelin et al.	D12/9
3,799,565	3/1974	Burtis et al.	280/16

FIG. 1 is a perspective view of a snow scooter showing my new design;

FIG. 2 is a top view thereof;

FIG. 3 is a bottom view thereof;

FIG. 4 is a right side view thereof; the left side view is a mirror image thereof;

FIG. 5 is a front view thereof; and,

FIG. 6 is a rear view thereof.

1 Claim, 3 Drawing Sheets

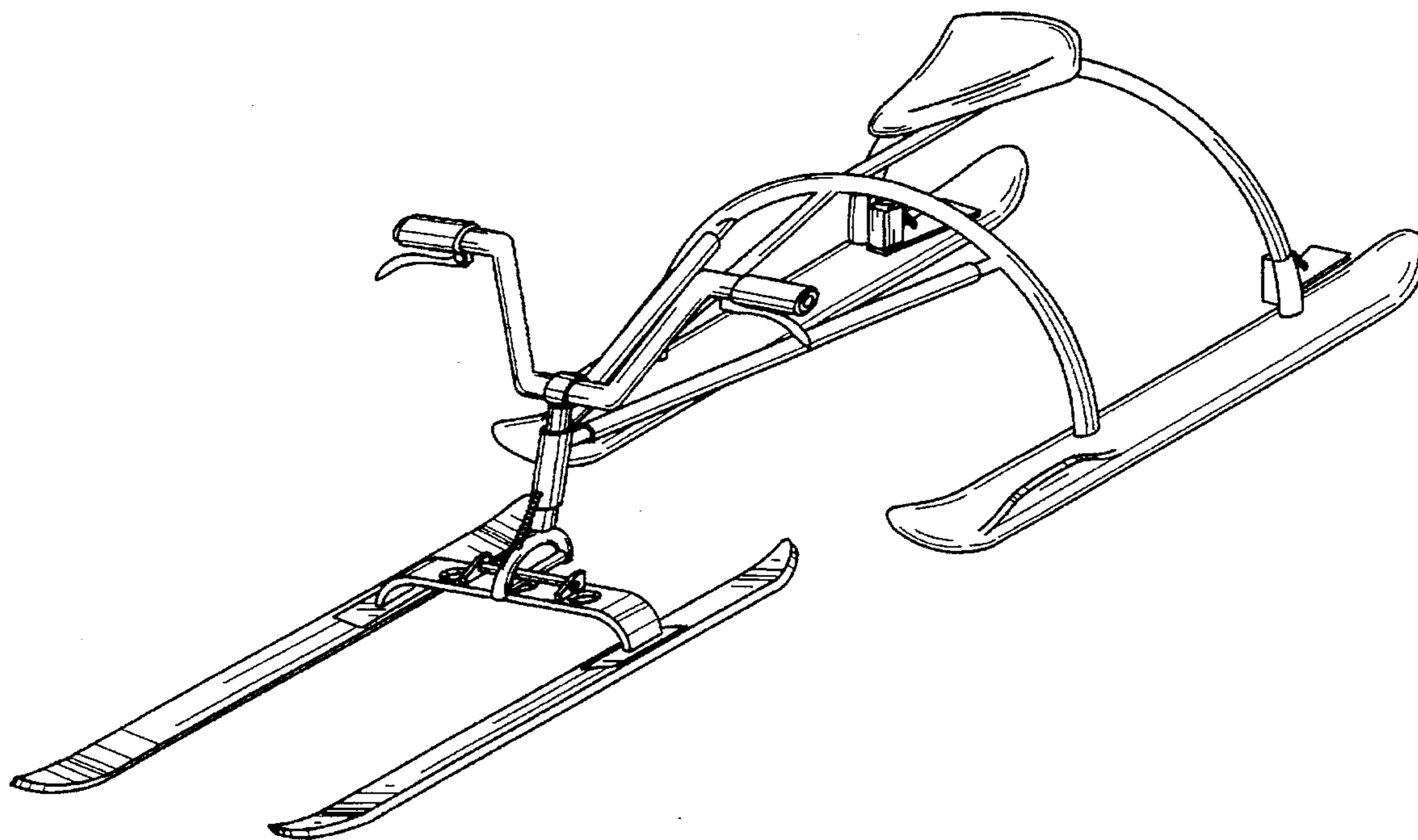
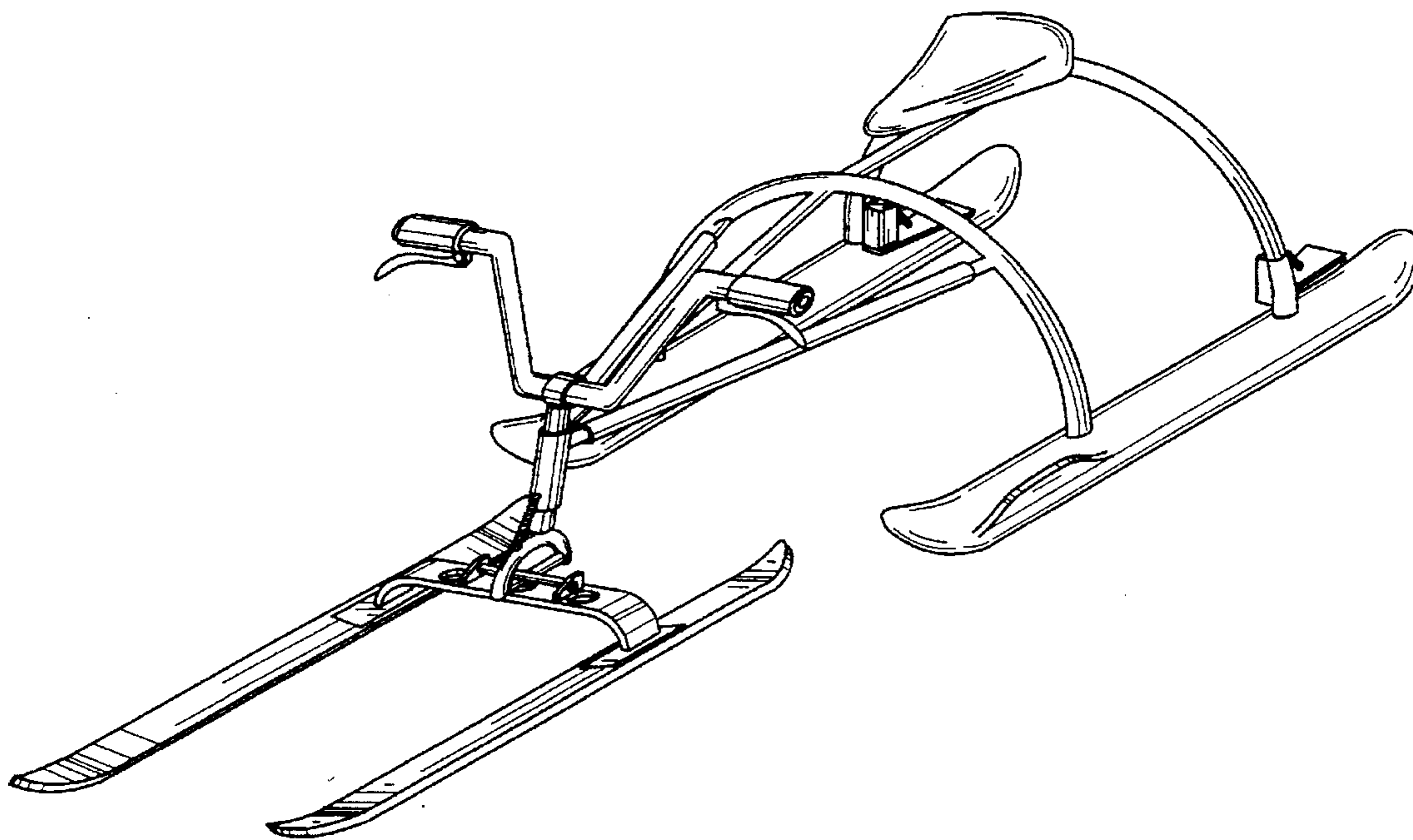


FIG. 1



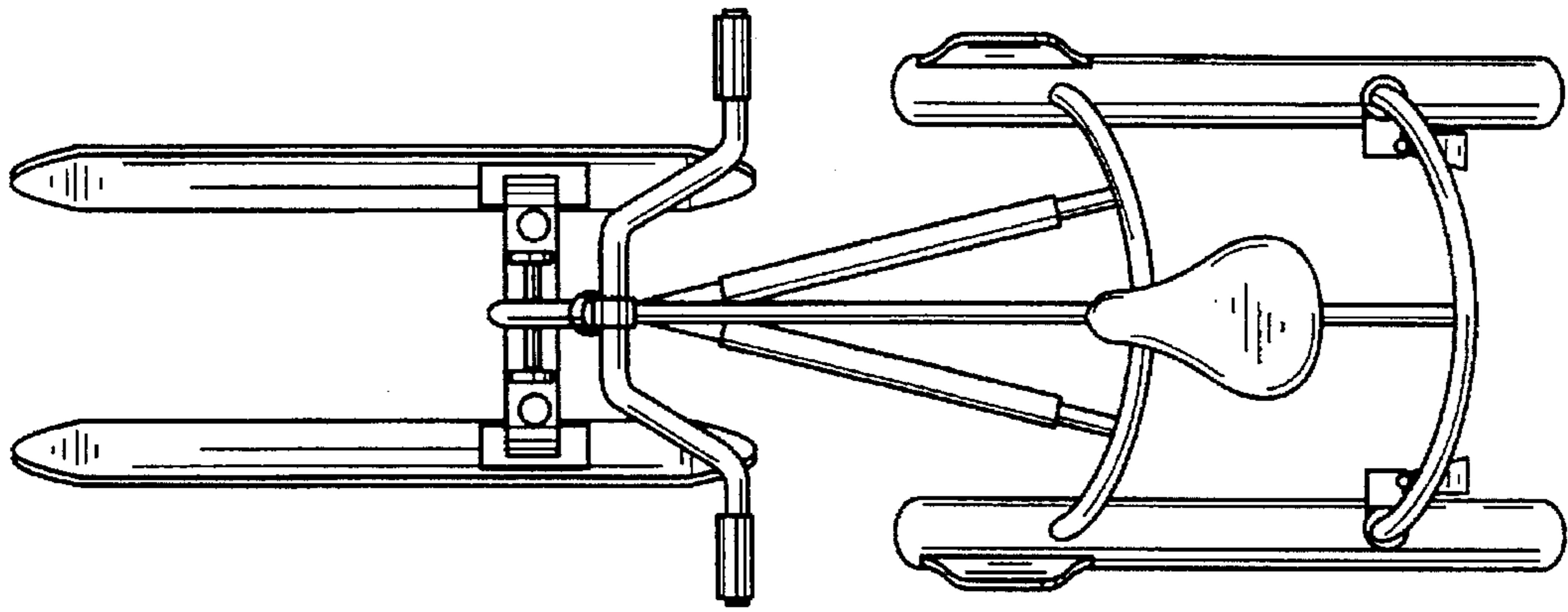


FIG. 2

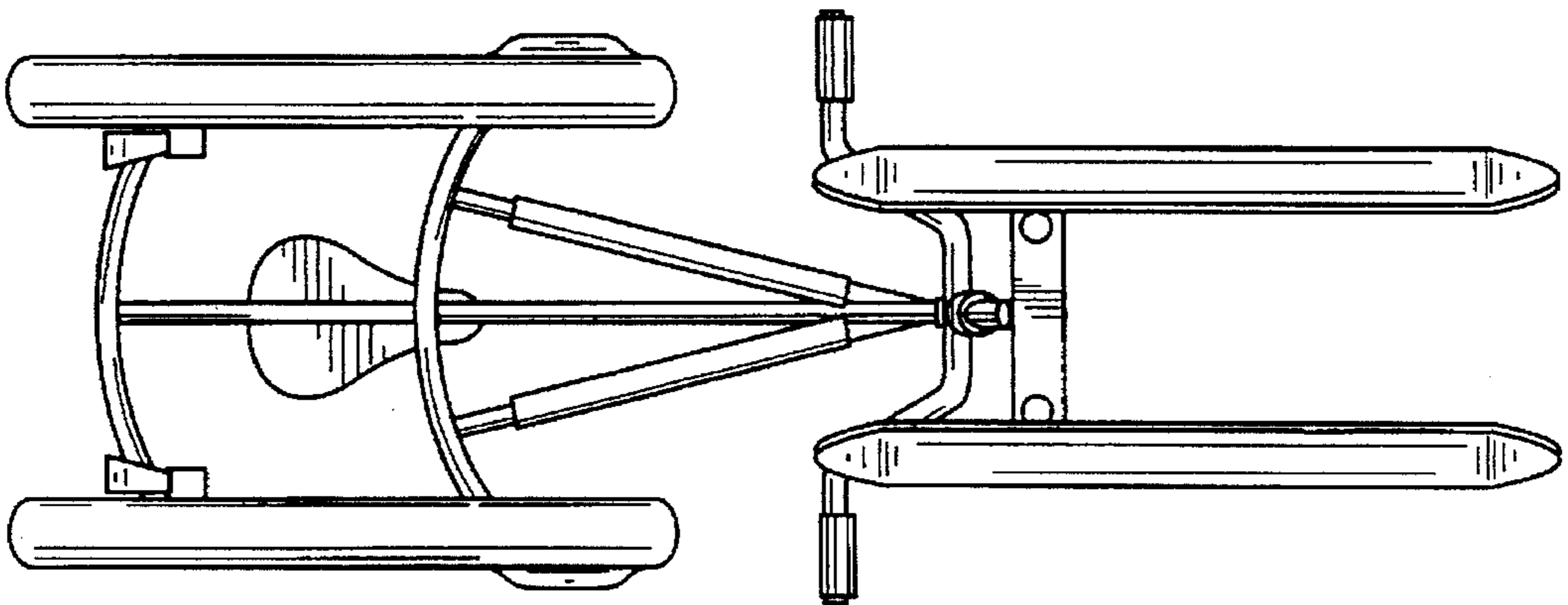


FIG. 3

FIG. 4

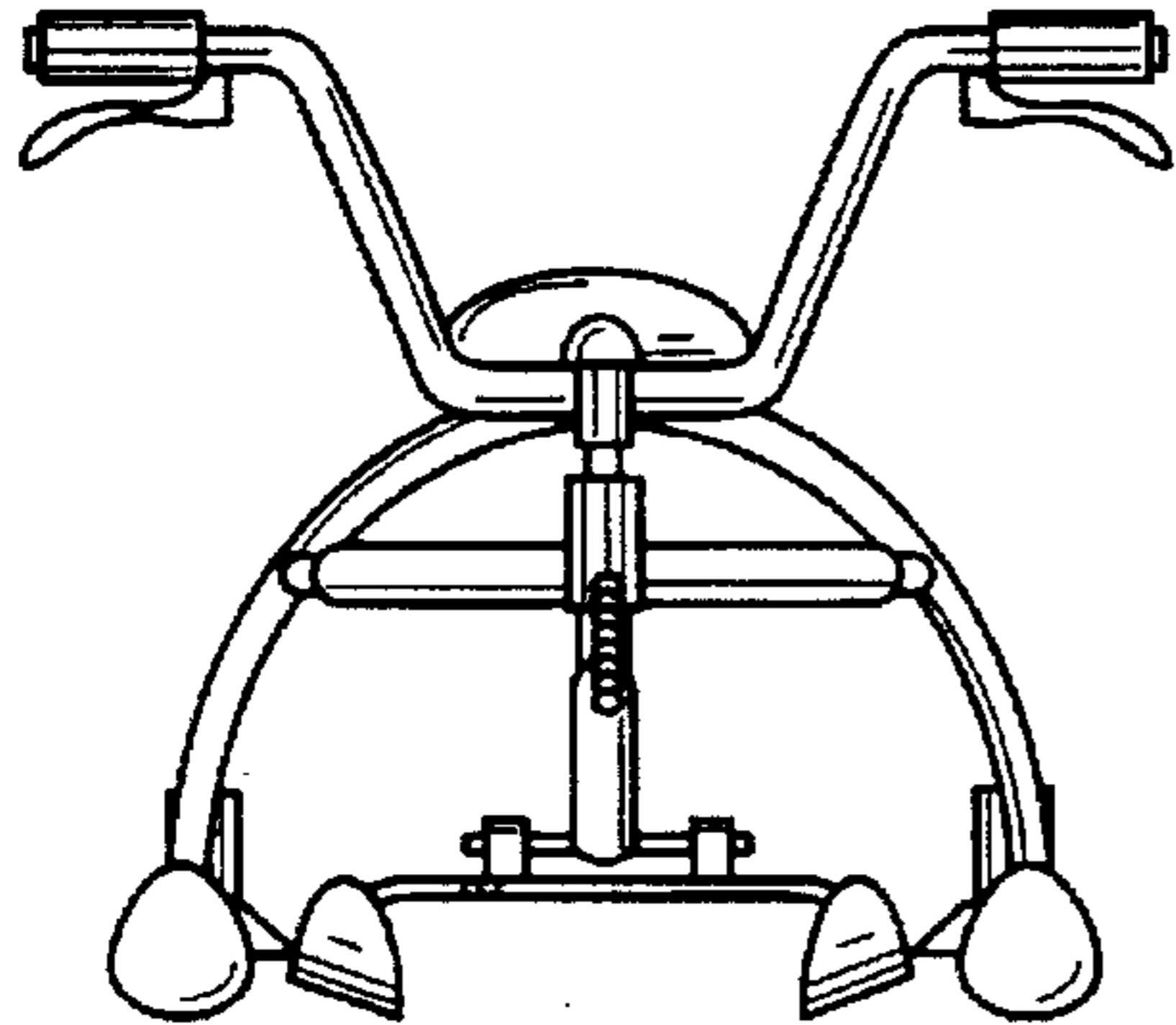
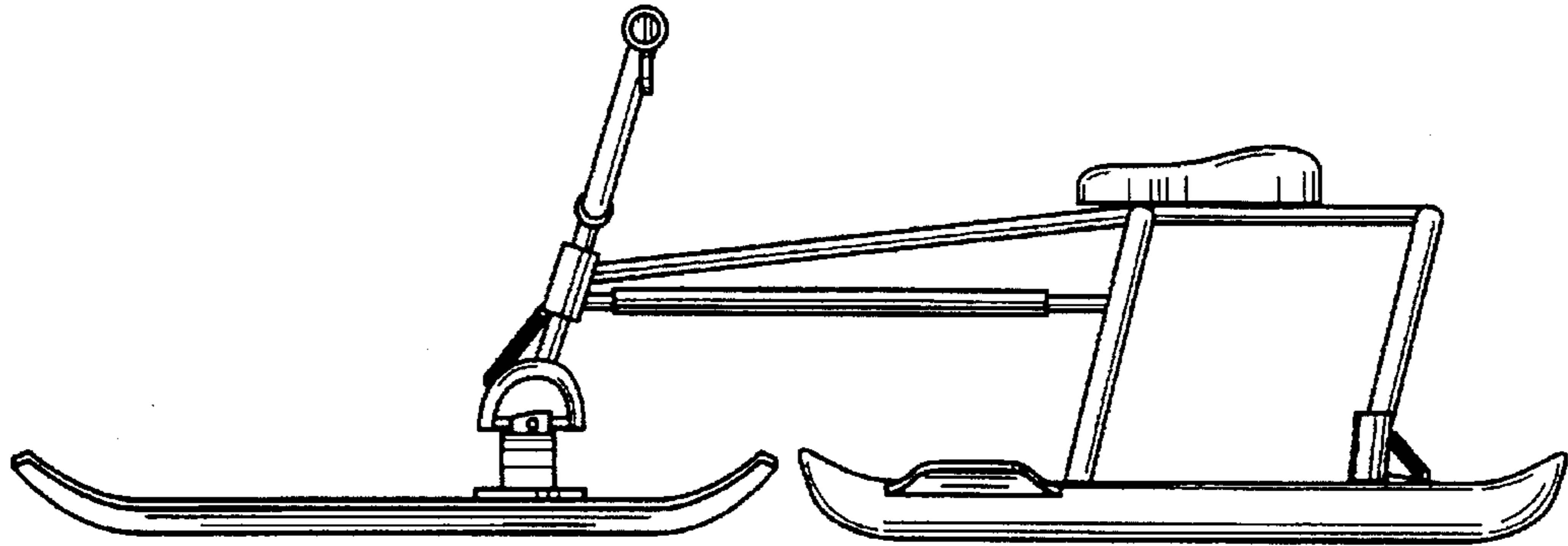


FIG. 5

FIG. 6

