



US00D382513S

United States Patent [19]

Bozzone

[11] Patent Number: **Des. 382,513**

[45] Date of Patent: ****Aug. 19, 1997**

[54] **LADDER OF SUCCESS CURIO**

[76] Inventor: **Louis Bozzone**, 25 Conover Ave.,
Roseland, N.J. 07068

[**] Term: **14 Years**

[21] Appl. No.: **50,588**

[22] Filed: **Feb. 5, 1996**

[51] LOC (6) Cl. **11-02**

[52] U.S. Cl. **D11/157; D11/131**

[58] Field of Search **D11/131, 157;**
D21/59; 428/542.2, 542.4, 542.6

[56] **References Cited**

U.S. PATENT DOCUMENTS

D. 31,418	8/1899	Wilson	D21/59
D. 179,422	12/1956	Lorden	D11/157
D. 225,415	12/1972	Baughan	D11/157
D. 257,134	9/1980	Tumbrink et al.	D11/157
D. 257,833	1/1981	Brock et al.	D11/157

D. 275,468	9/1984	Grant	D11/157
D. 351,572	10/1994	Lennington, Jr.	D11/157
3,863,371	2/1975	Shertenlieb	.	

Primary Examiner—Dominic Simone
Attorney, Agent, or Firm—Frank Cozzarelli, Jr.

[57] **CLAIM**

The ornamental design for a ladder of success curio, as shown.

DESCRIPTION

FIG. 1 is a front elevational view of a ladder of success curio showing my new design;
FIG. 2 is a left side elevational view thereof, the right side being a mirror image;
FIG. 3 is a top plan view thereof;
FIG. 4 is a bottom plan view thereof;
FIG. 5 is a rear elevational view thereof; and,
FIG. 6 is a front perspective view thereof.

1 Claim, 2 Drawing Sheets

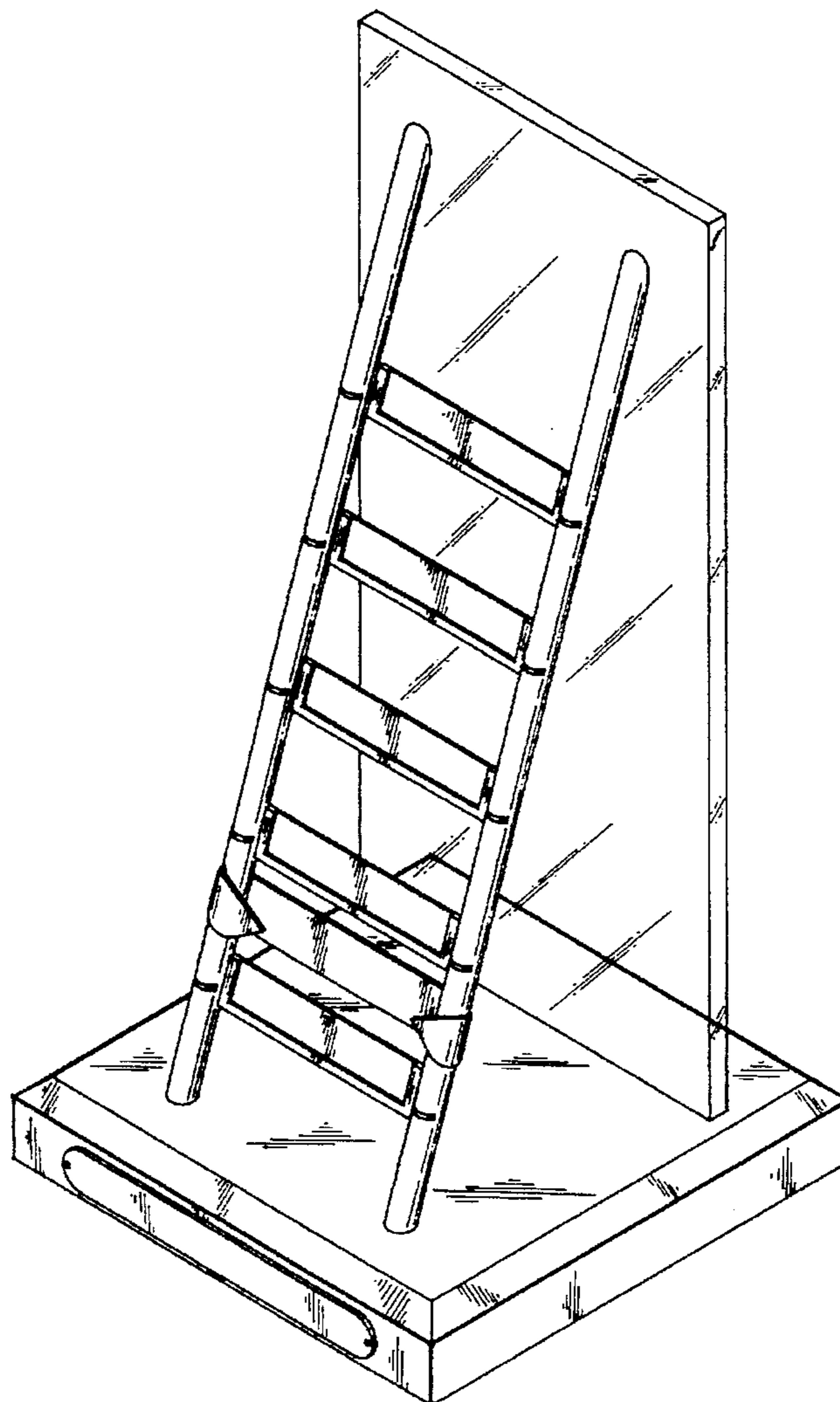


FIG. 1

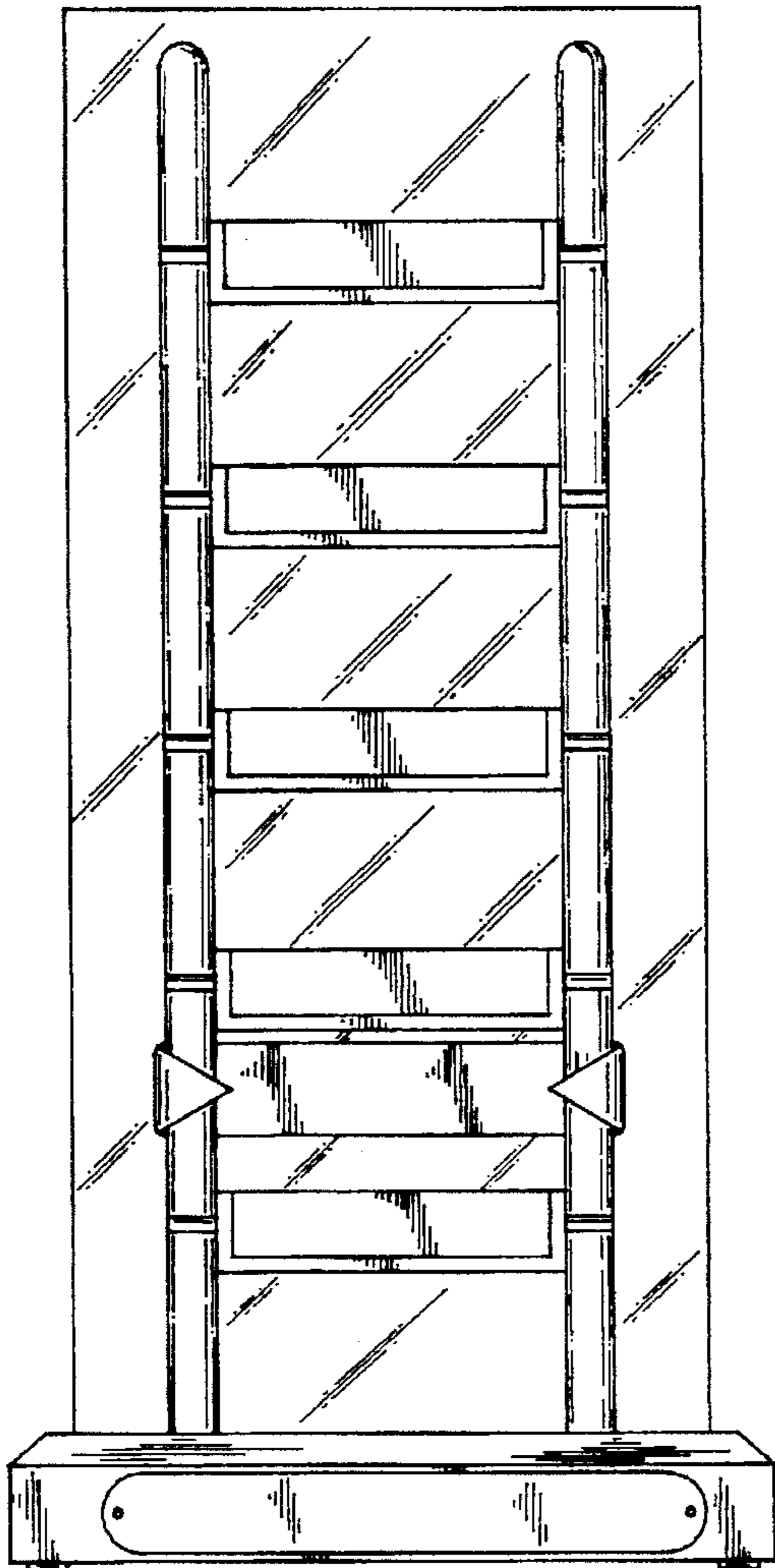


FIG. 2

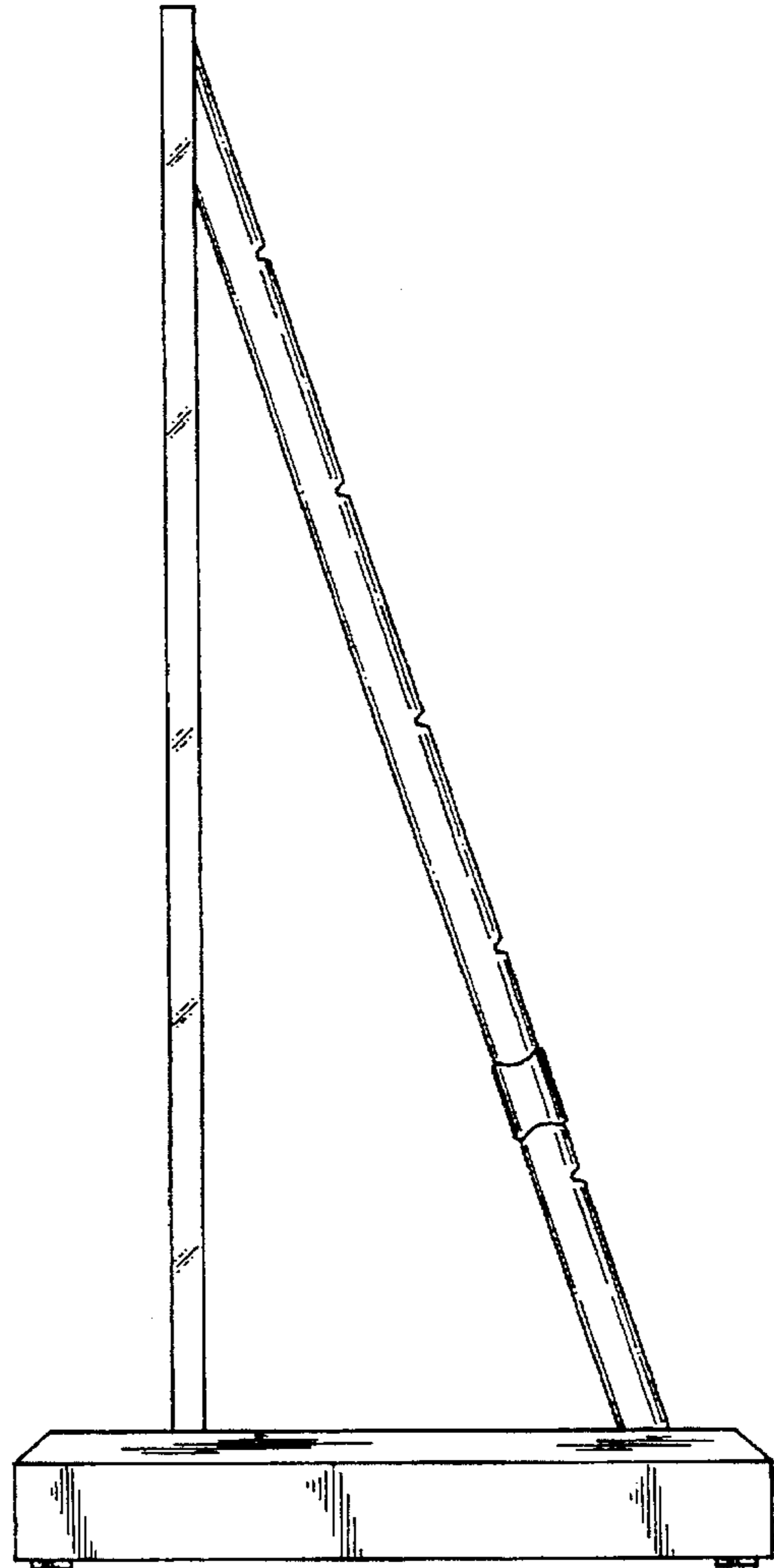


FIG. 3

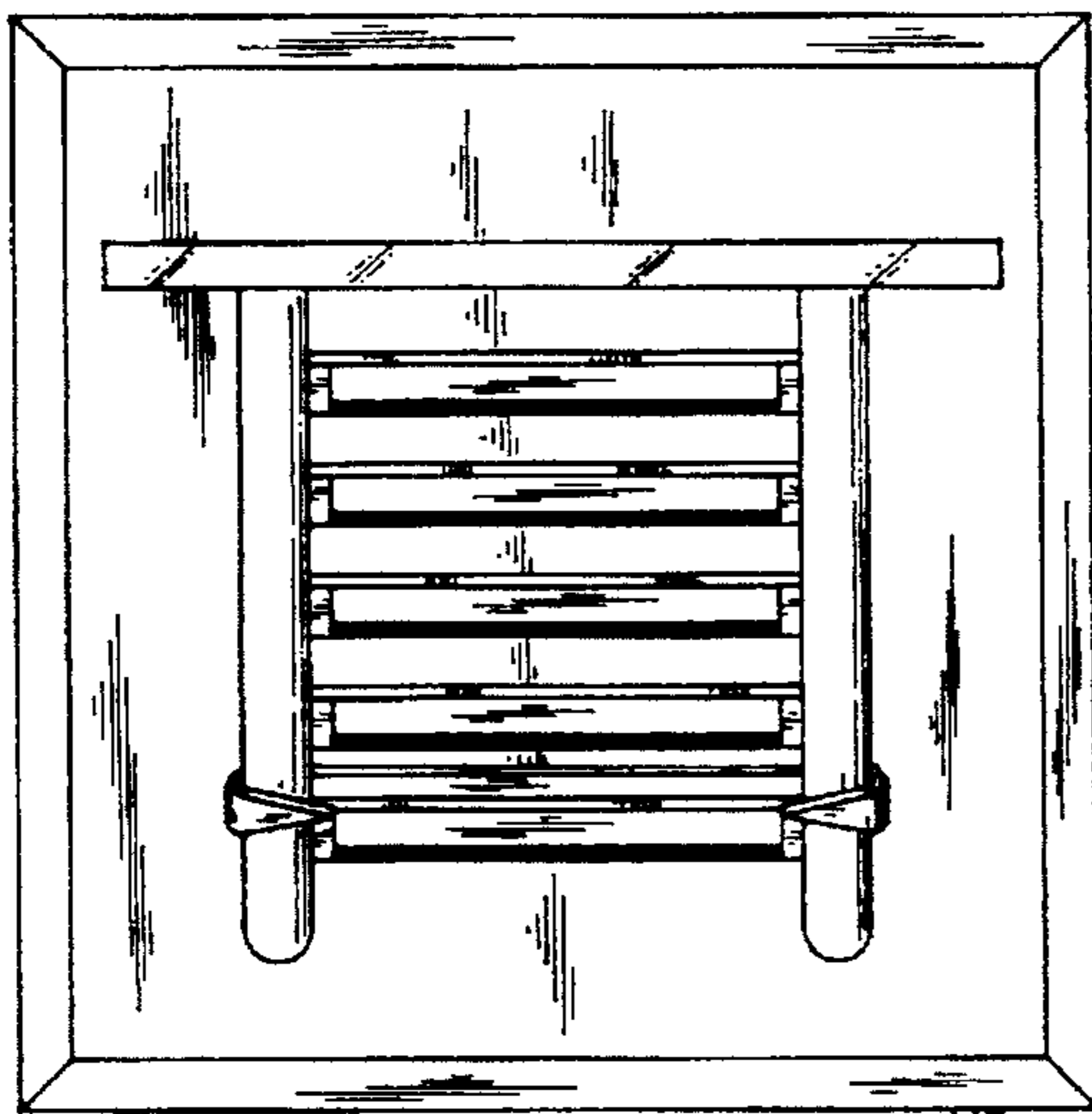


FIG. 4

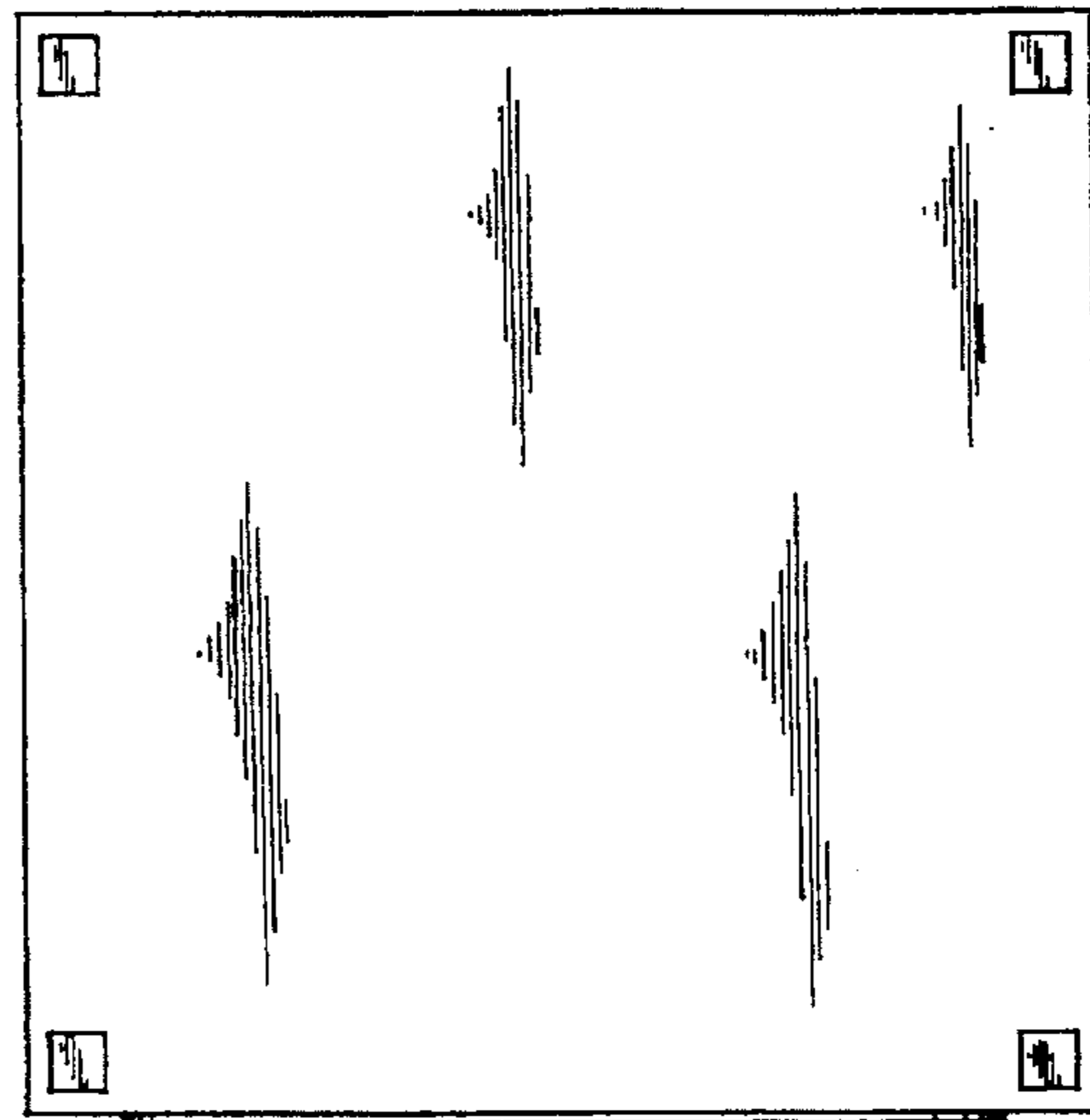


FIG. 5

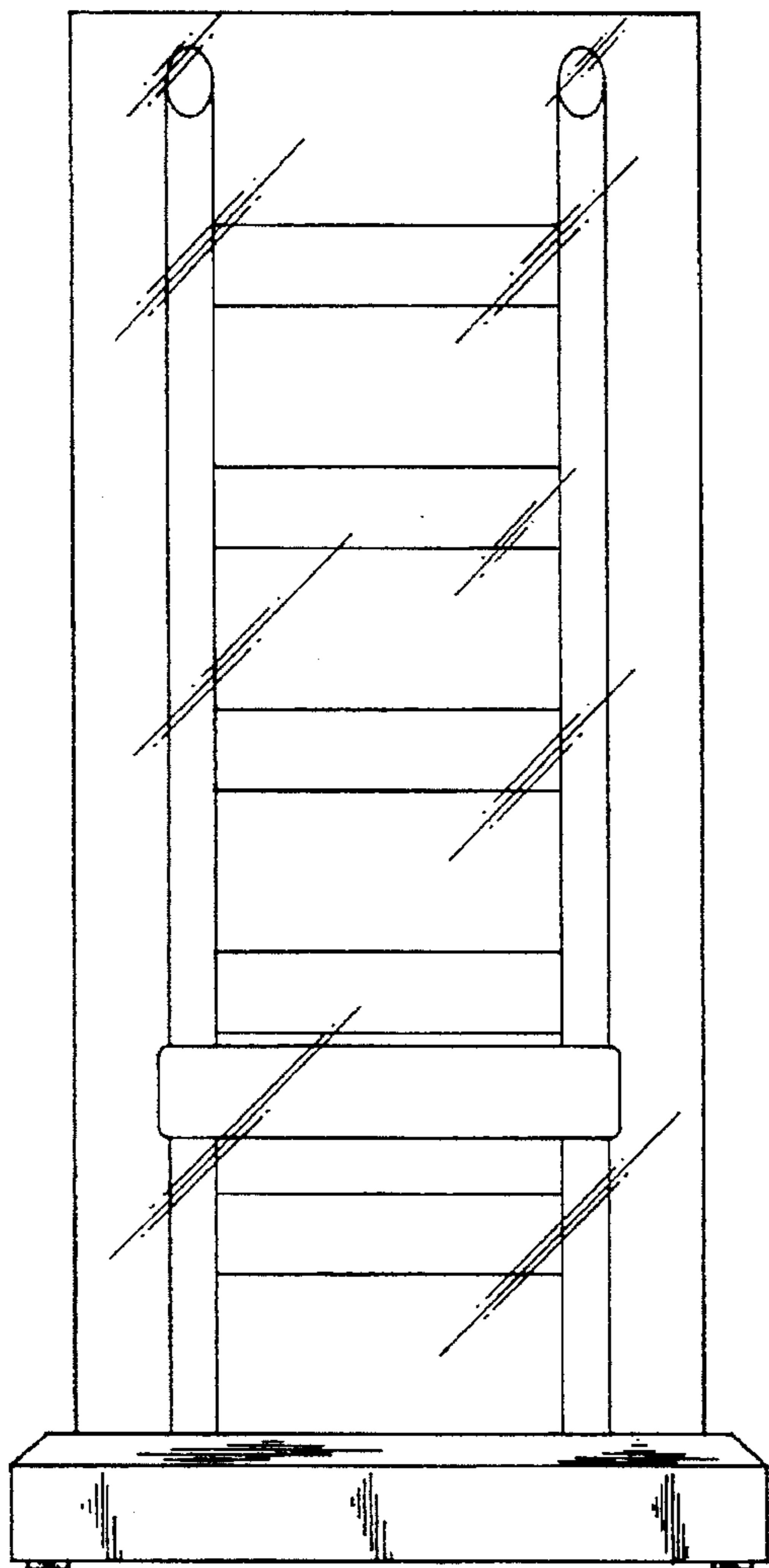


FIG. 6

