



US00D382511S

United States Patent [19]
Azarian

[11] **Patent Number: Des. 382,511**

[45] **Date of Patent: **Aug. 19, 1997**

[54] **FLOWER TOWER MODULE**

[76] **Inventor: Nazareth Azarian**, 192 Hawthorne Dr.,
Fairfield, Conn. 06430

[**] **Term: 14 Years**

[21] **Appl. No.: 48,831**

[22] **Filed: Jan. 5, 1996**

[51] **LOC (6) Cl. 11-02**

[52] **U.S. Cl. D11/143; D11/152**

[58] **Field of Search D11/143-145,**
D11/152-155, 164; D6/403-405, 556; 47/39,
41.01, 66, 82, 83, 75, 44; 206/423; 248/27.8

[56] **References Cited**

U.S. PATENT DOCUMENTS

70,316	10/1867	Bigelow	47/41.01
D. 281,406	11/1985	Guénat	D11/153
2,720,056	10/1955	Levy	47/66 X
5,438,797	8/1995	Lendel	47/82

Primary Examiner—Caron D. Veynar
Attorney, Agent, or Firm—Our Pal(R) Asija

[57] **CLAIM**

The ornamental design for a flower tower module, as shown and described.

DESCRIPTION

FIG. 1 is a top perspective view of a flower tower module showing my new design;
FIG. 2 is a bottom perspective view thereof;
FIG. 3 is an exploded side view, the opposite side view being a mirror image thereof;
FIG. 4 is a front elevation view, the rear elevation view being a mirror image thereof;
FIG. 5 is an exploded top plan view thereof;
FIG. 6 is an exploded bottom plan view thereof; and,
FIG. 7 is a perspective view, the broken line showing of three stacked modules is for illustrative purposes only and forms no part of the claimed design.

1 Claim, 4 Drawing Sheets

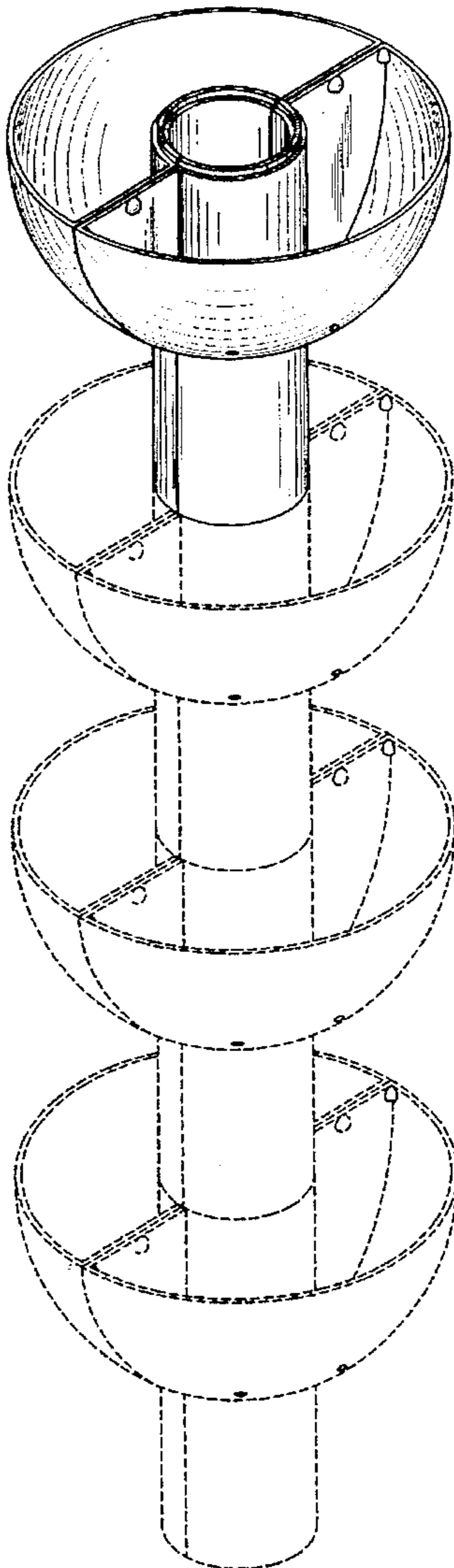


FIG. 1

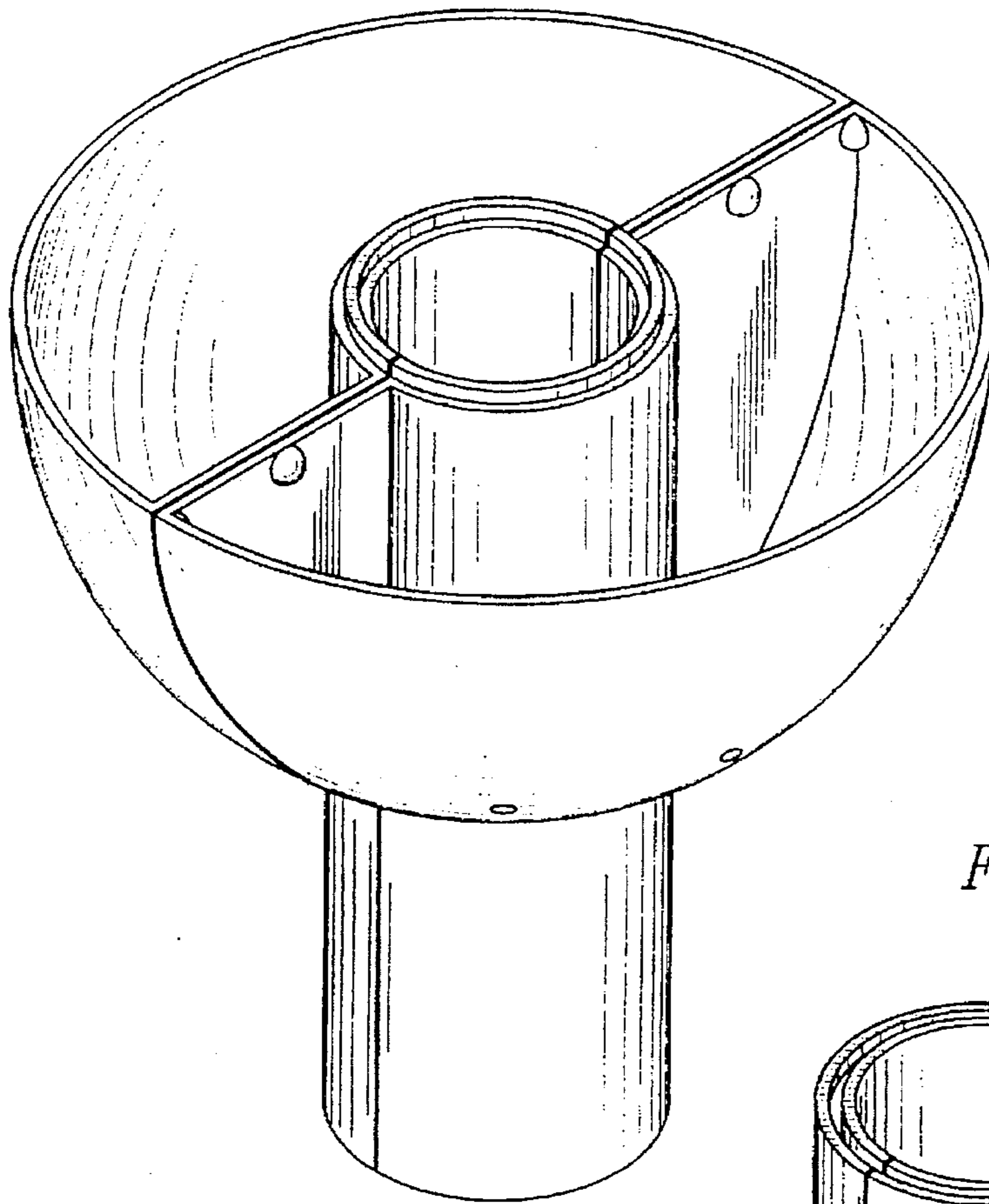


FIG. 2

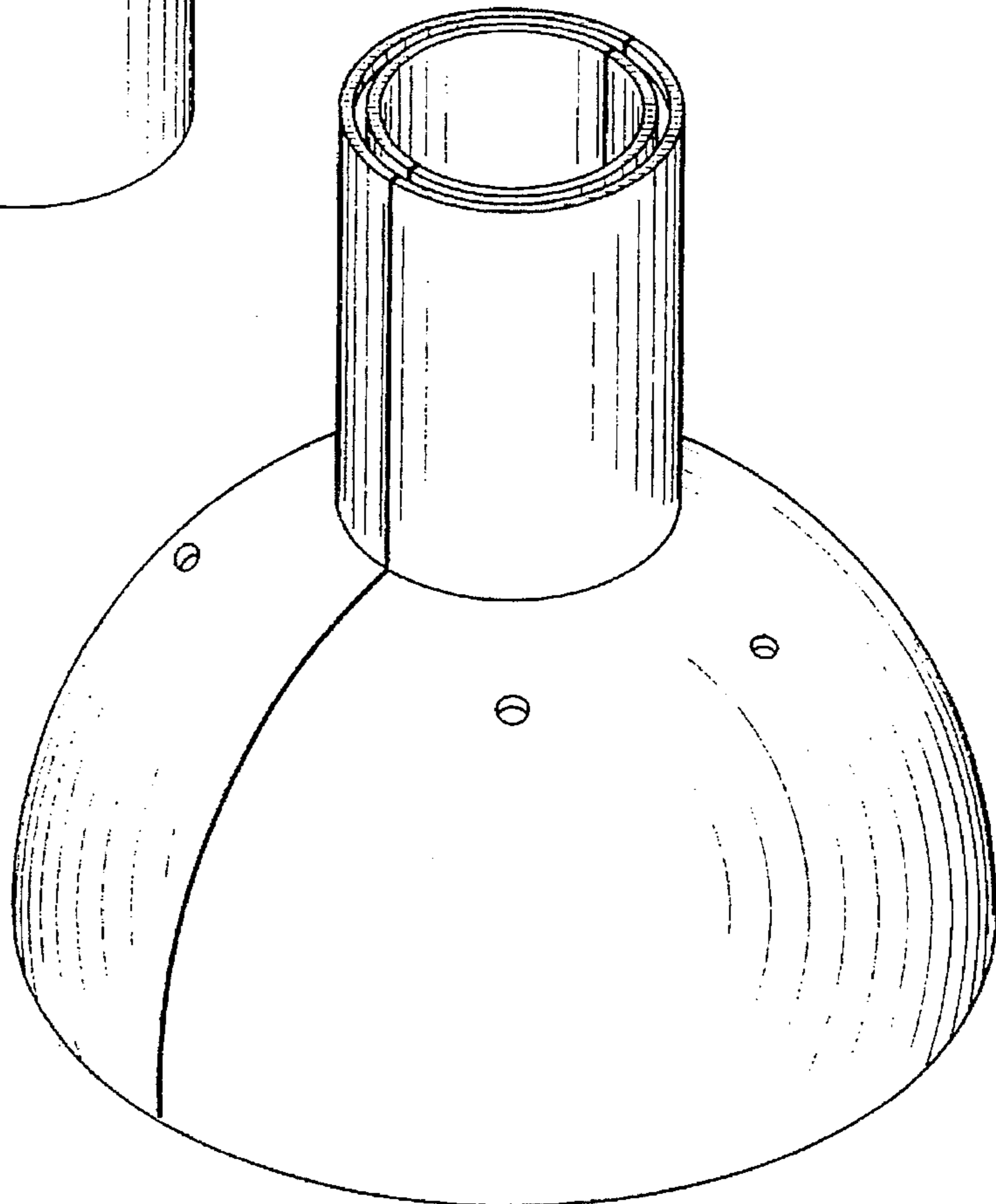


FIG. 3

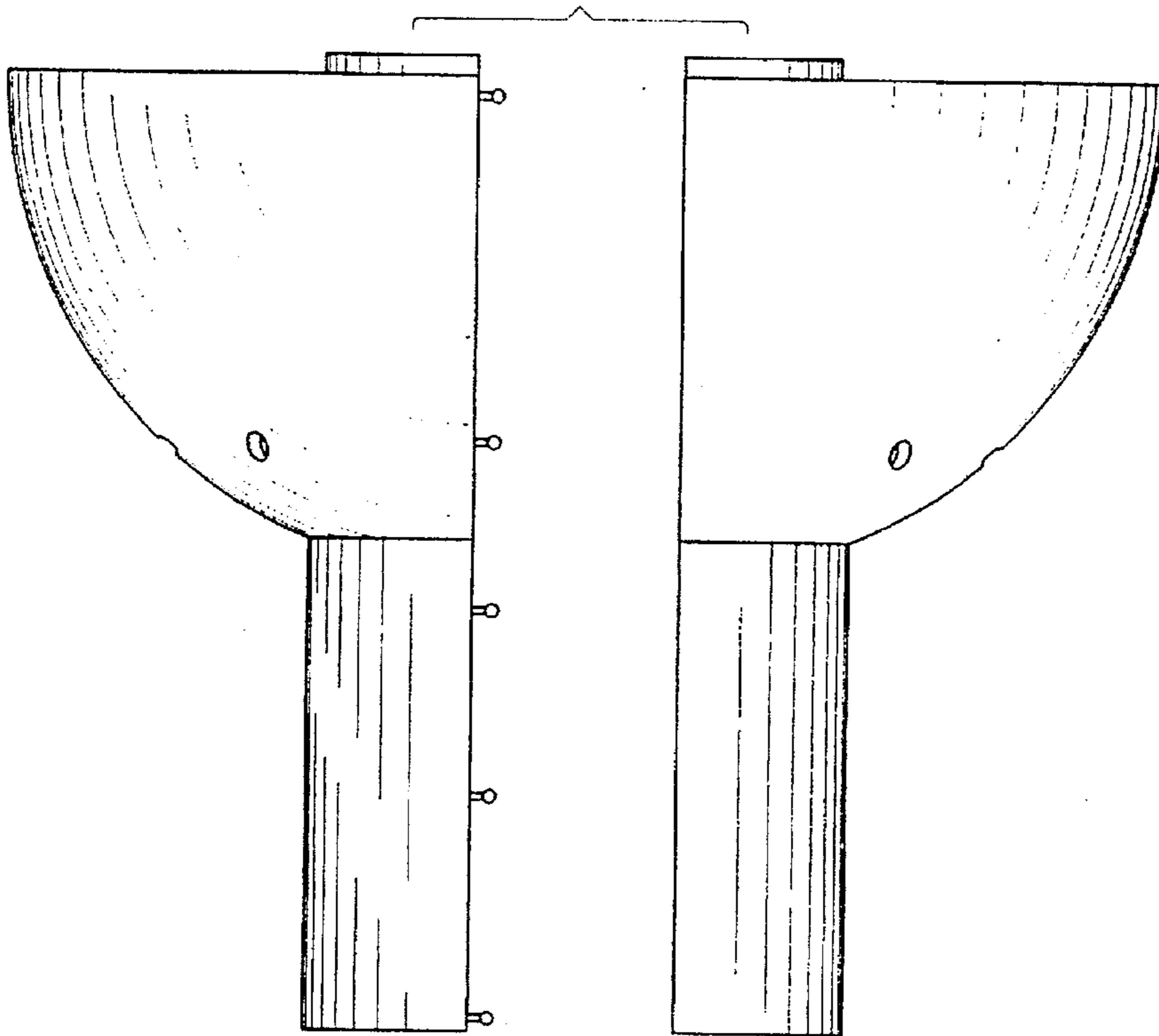


FIG. 4

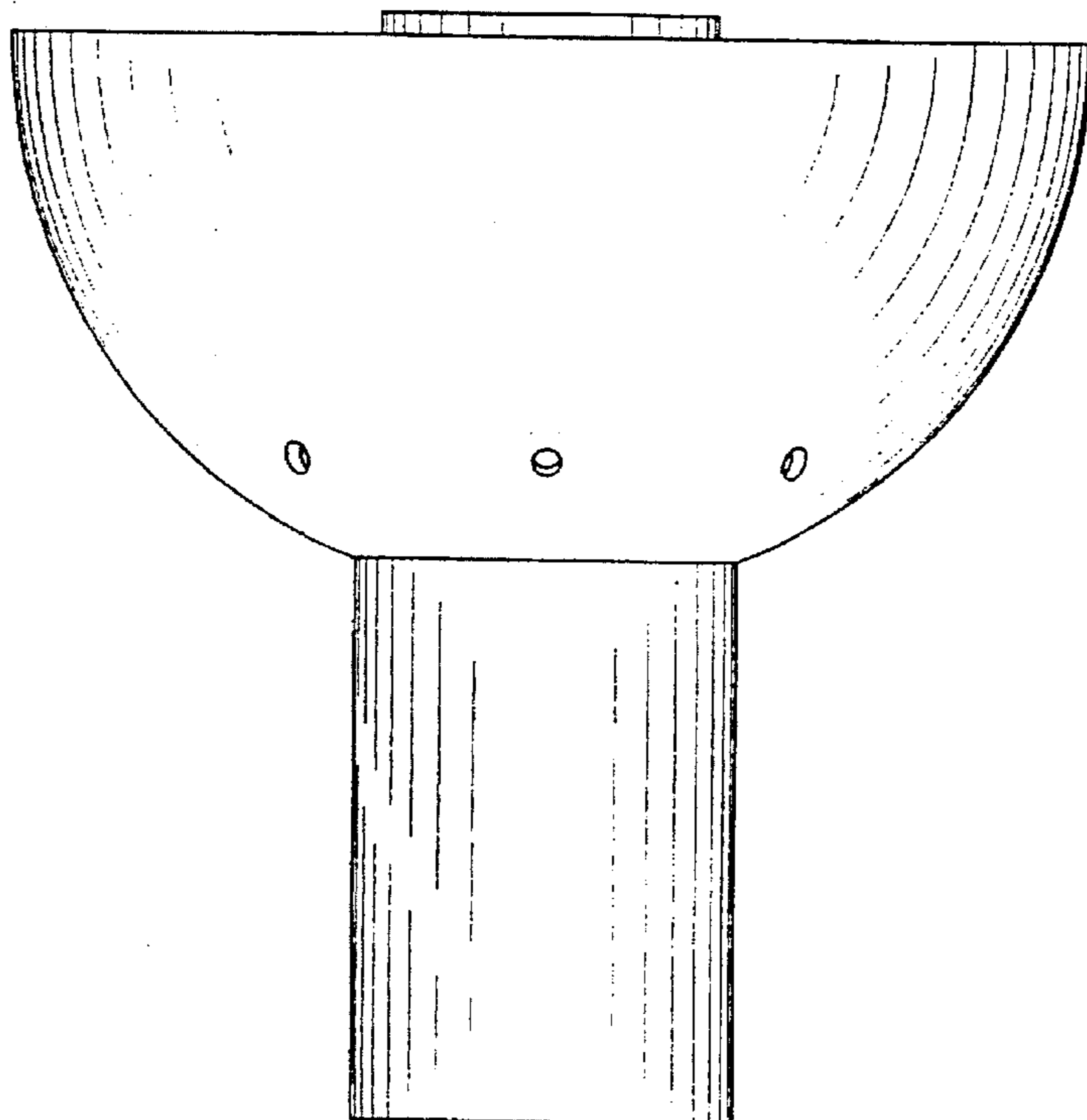


FIG. 5

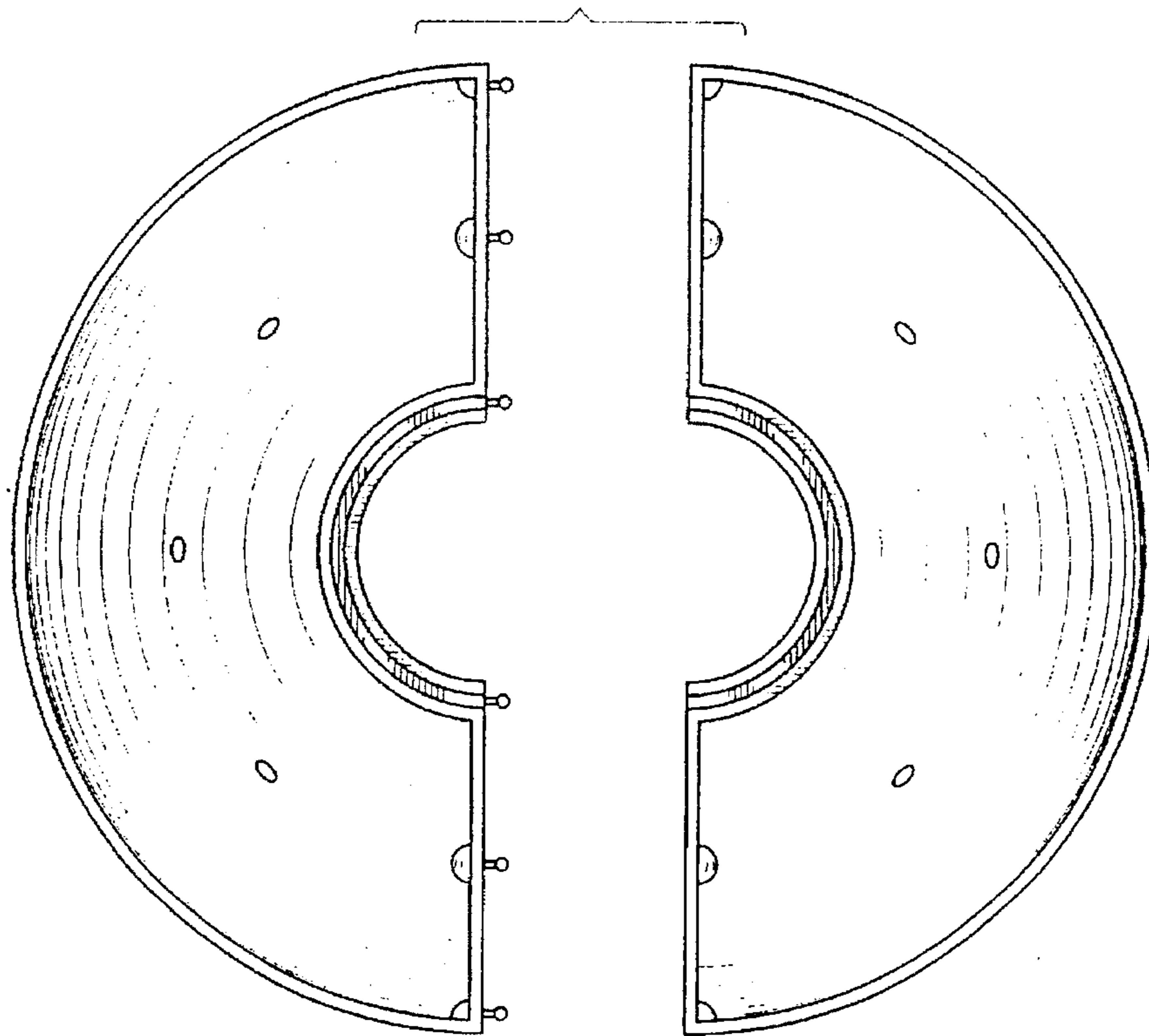


FIG. 6

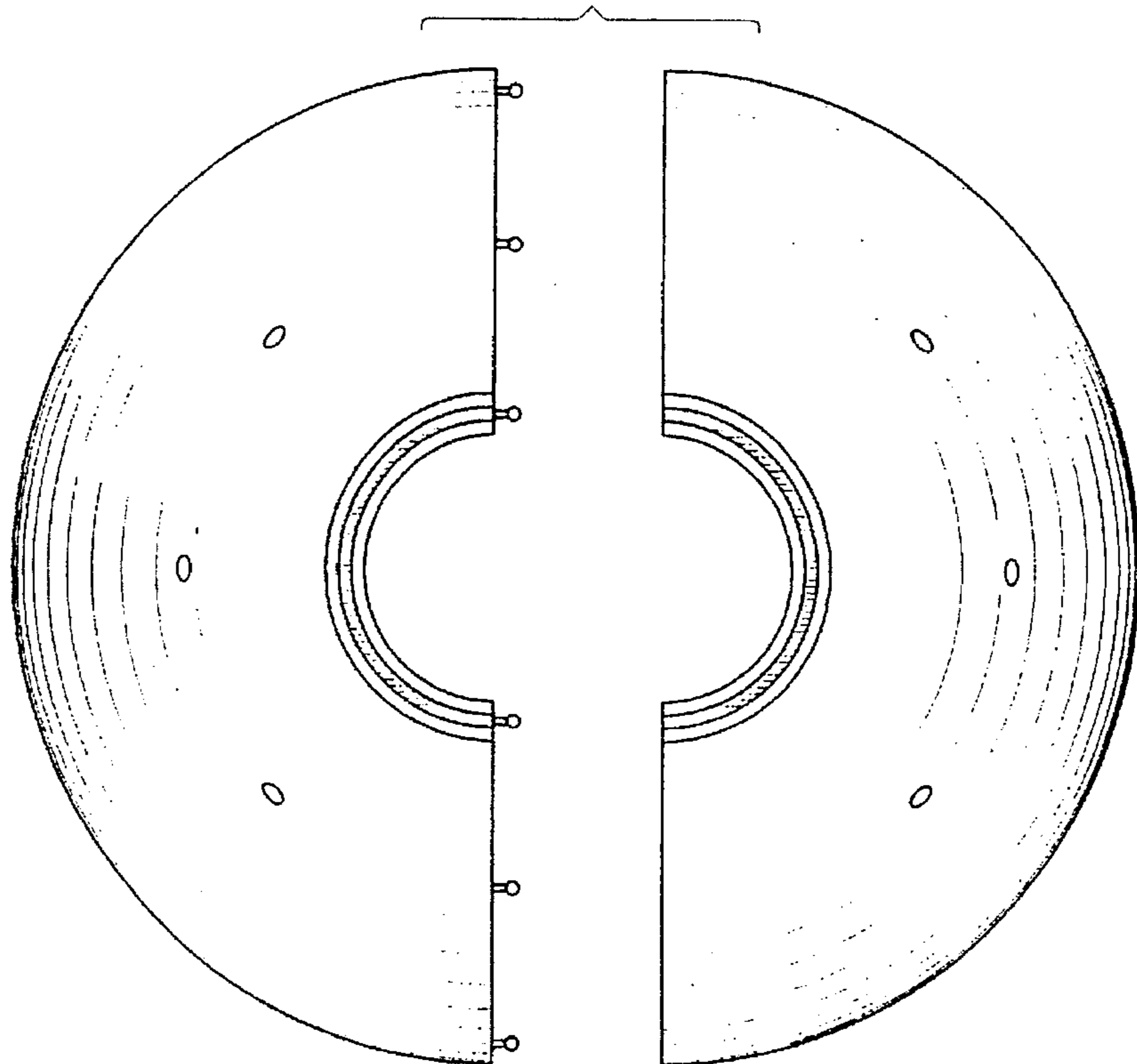


FIG. 7

