



US00D382509S

United States Patent [19]

[11] Patent Number: **Des. 382,509**

Epperson

[45] Date of Patent: ****Aug. 19, 1997**

[54] **DECORATIVE MANTEL ORNAMENT**

[76] Inventor: **Joe Willie Epperson**, 3890 E. Ponce de Leon Ave. Apt. #G.2., Clarkston, Ga. 30021

[**] Term: **14 Years**

[21] Appl. No.: **52,083**

[22] Filed: **Mar. 22, 1996**

[51] LOC (6) Cl. **11-02**

[52] U.S. Cl. **D11/131; D11/157; D6/571**

[58] Field of Search **D11/131, 157; D6/303, 450, 569, 570, 571, 574**

- D. 258,544 3/1981 Benedetto .
- D. 300,779 4/1989 Smith .
- D. 319,399 8/1991 Ritchie .
- D. 334,773 4/1993 Simpson .

OTHER PUBLICATIONS

Syracuse Ornamental Co., Inc; Catalog; Feb. 18, 1946; p. 6 Mirror Bracket (lower left).

Primary Examiner—Dominic Simone

[57] **CLAIM**

The ornamental design for the decorative mantel ornament, as shown and described.

DESCRIPTION

FIG. 1 is a perspective view of the decorative mantel ornament showing my new design;
 FIG. 2 is a front elevational view thereof;
 FIG. 3 is a rear elevational view thereof;
 FIG. 4 is a right side elevational view thereof;
 FIG. 5 is a top plan view thereof; and,
 FIG. 6 is a bottom plan view thereof.

1 Claim, 3 Drawing Sheets

[56] **References Cited**

U.S. PATENT DOCUMENTS

- D. 115,615 7/1939 Farrah D6/570 X
- D. 149,078 3/1948 Lucchesi D11/133 X
- D. 161,627 1/1951 Haworth D6/571
- D. 198,917 8/1964 Crawford D6/570
- D. 211,647 7/1968 Hardin D6/571
- D. 254,124 2/1980 Greenfield .
- D. 257,027 9/1980 Jones .

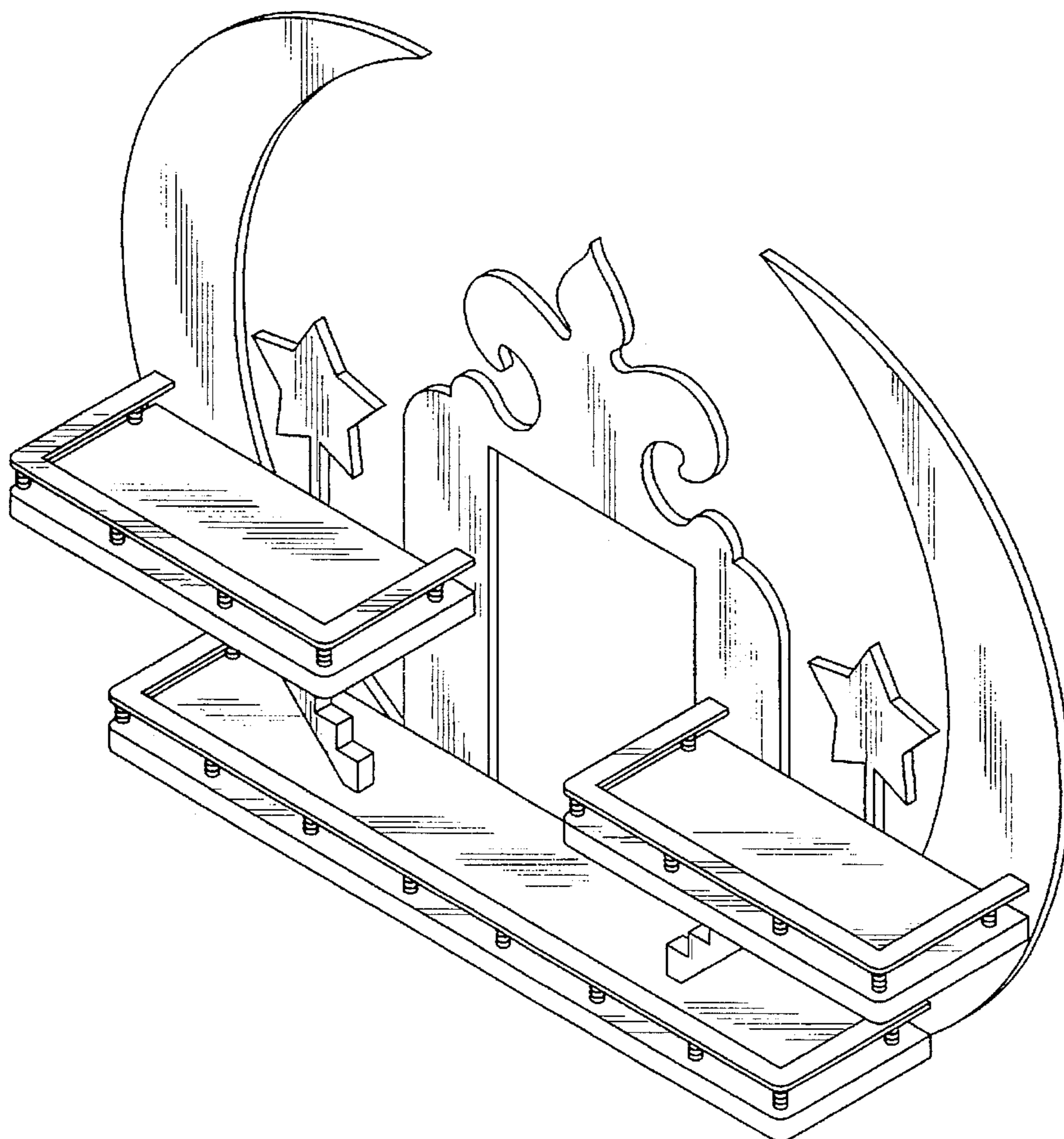


FIG. 1

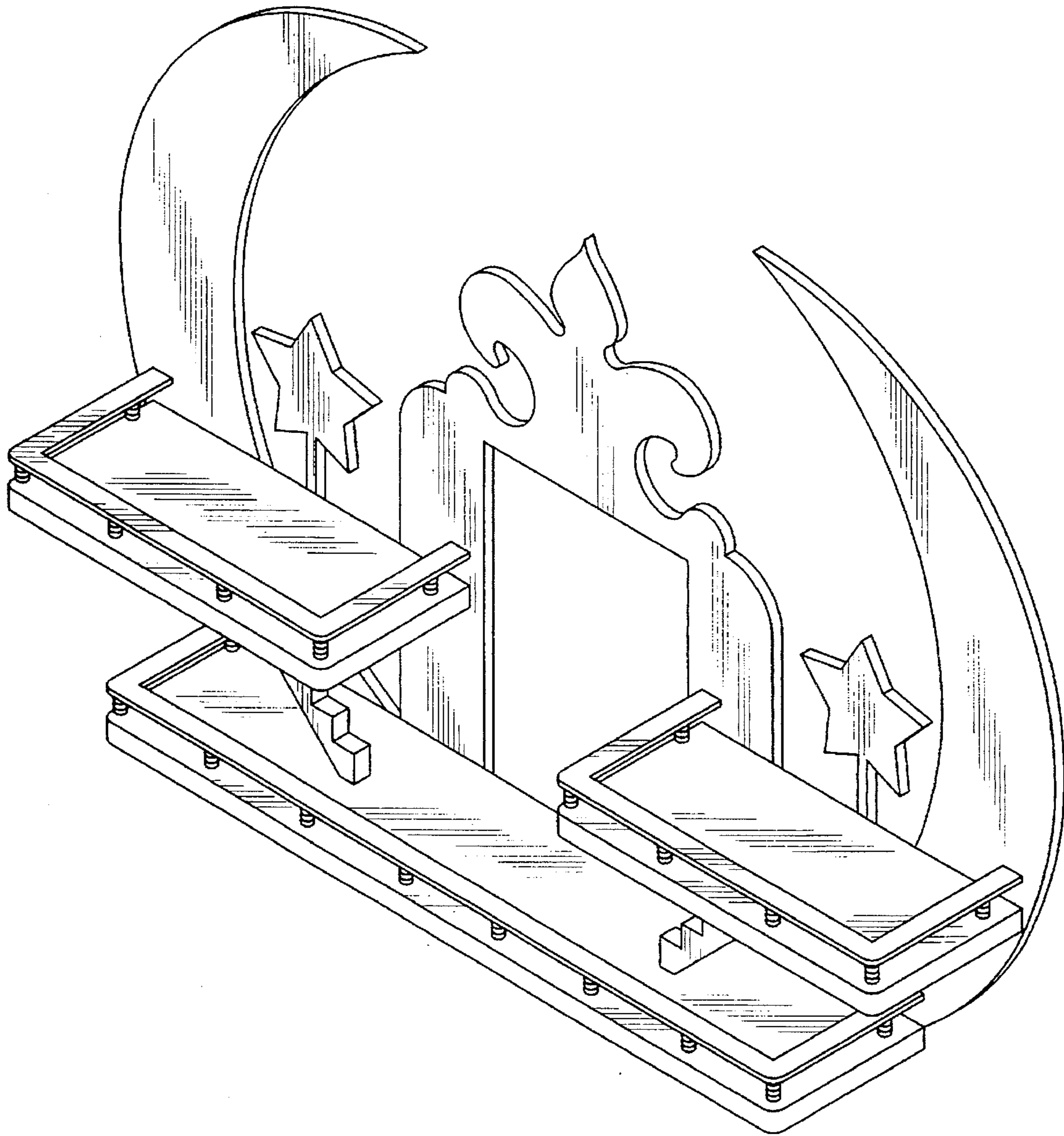


FIG. 2

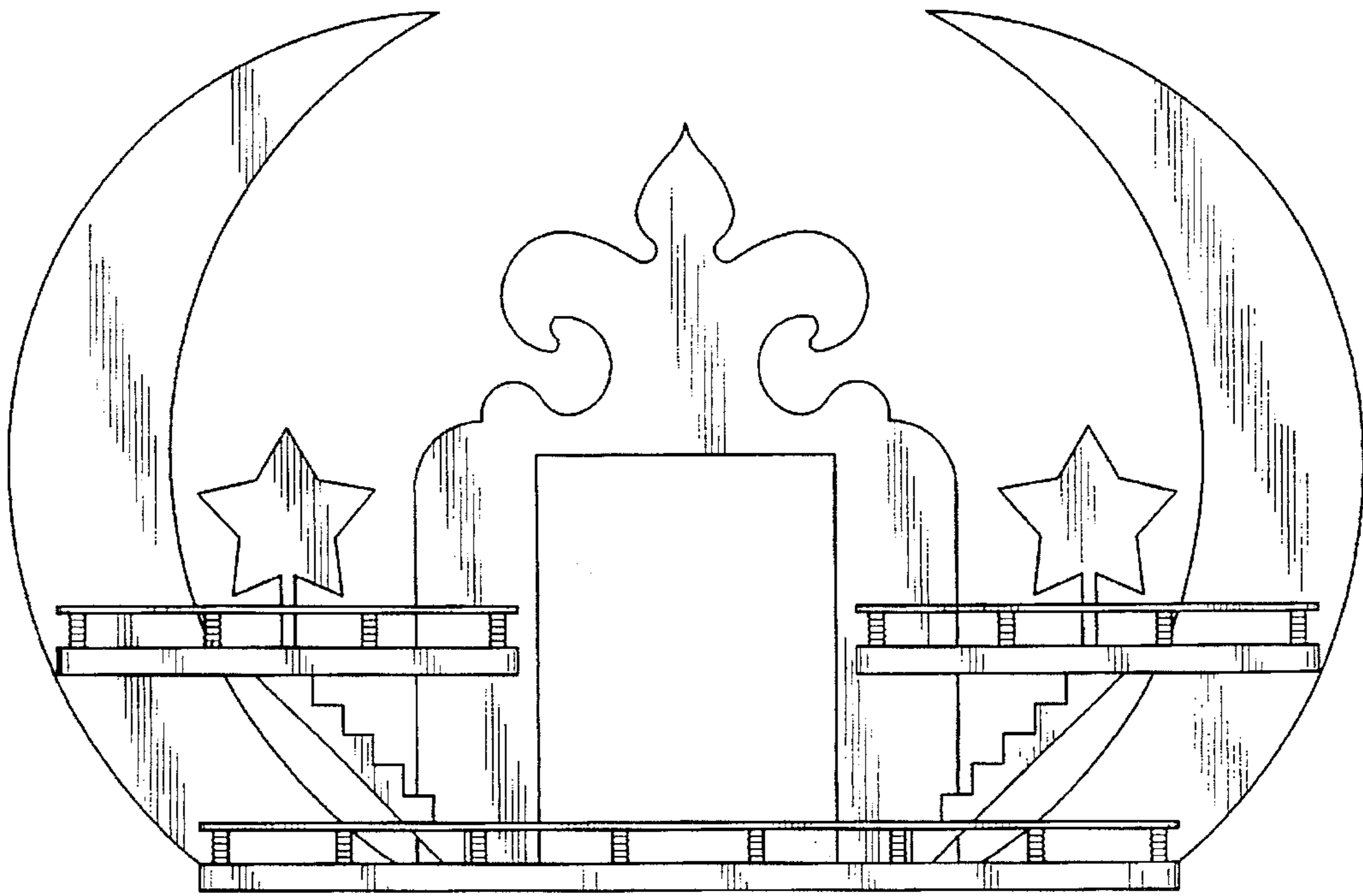


FIG. 3

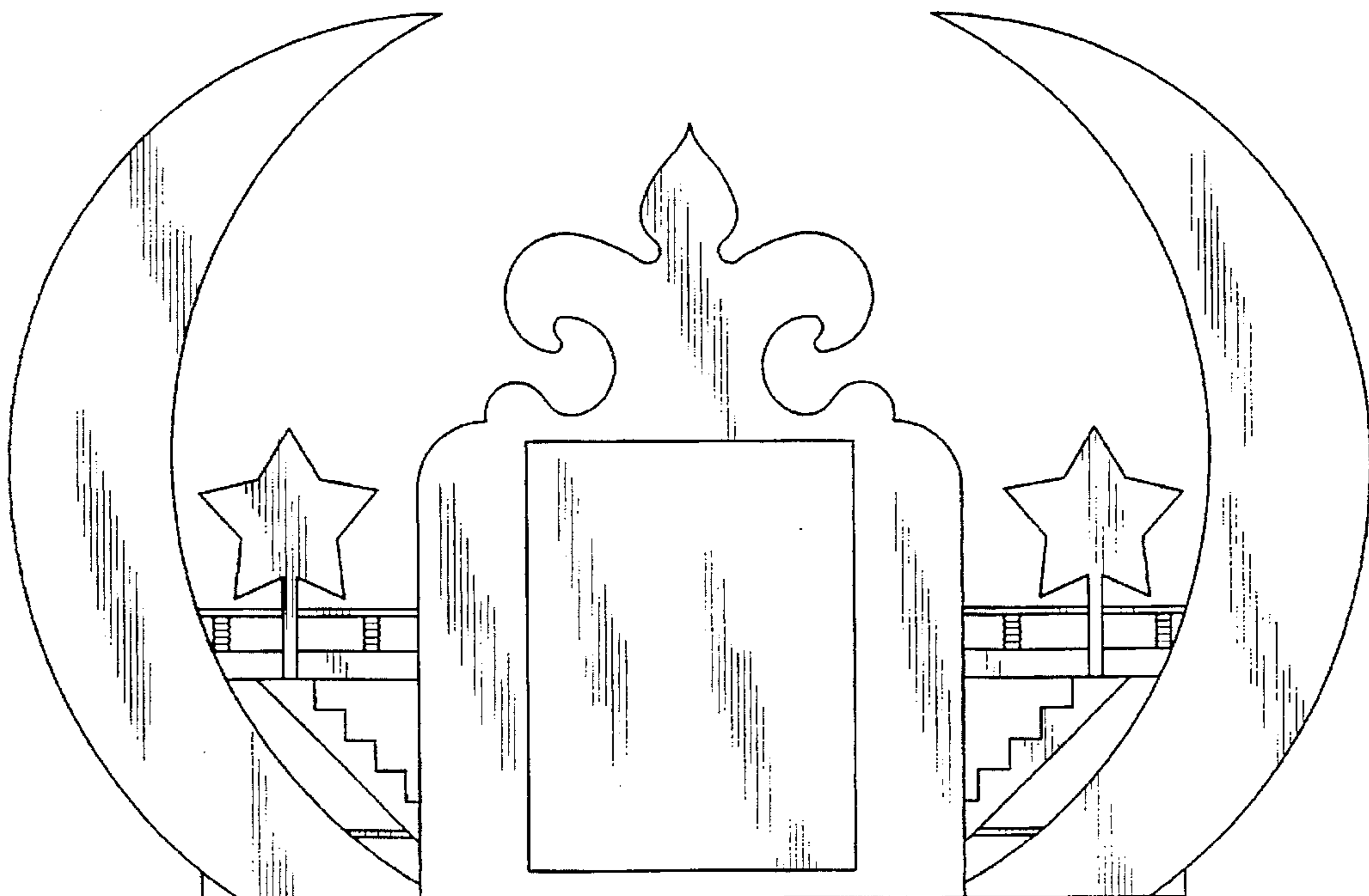


FIG. 4

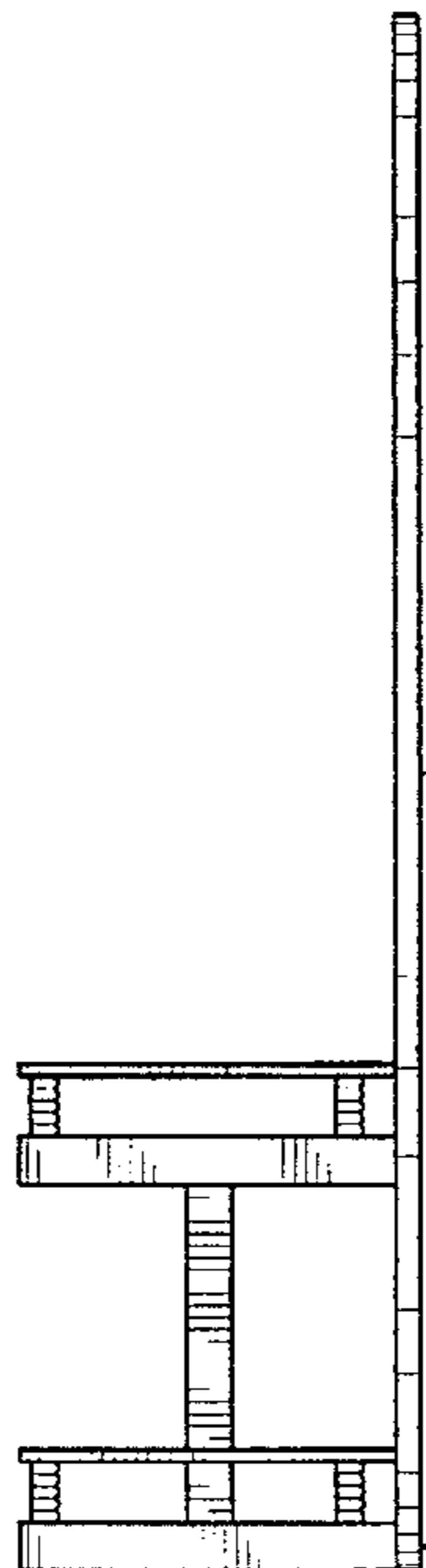


FIG. 5

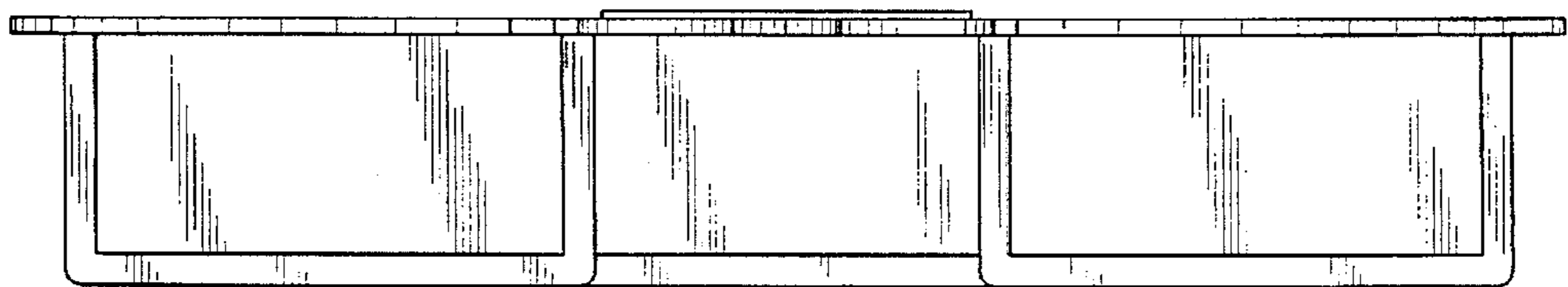


FIG. 6

