



US00D382504S

# United States Patent [19]

Strasser

[11] Patent Number: **Des. 382,504**

[45] Date of Patent: **\*\*Aug. 19, 1997**

[54] **LINK FOR A WATCH BRACELET**

[75] Inventor: **Florian Strasser**, Meinisberg, Switzerland

[73] Assignee: **Movado Watch Company, S.A.**, Grenchen, Switzerland

[\*\*] Term: **14 Years**

[21] Appl. No.: **53,418**

[22] Filed: **Apr. 22, 1996**

[51] LOC (6) Cl. .... **11-01**

[52] U.S. Cl. .... **D11/12; D11/93**

[58] **Field of Search** ..... D11/1-12, 19-25, D11/93-94; D2/633; D10/30-32; 63/3, 4, 5.1, 7, 9, 10

1,750,786 3/1930 Roy ..... D11/12  
 1,751,792 3/1930 Carlson ..... D11/12  
 2,213,096 8/1940 Schoeninger ..... 63/3  
 2,385,923 10/1945 Klaucke et al. .... D11/12  
 2,442,546 6/1948 Lipschitz et al. .... D11/12  
 3,837,163 9/1974 Fujimori ..... D11/12

*Primary Examiner*—Ralf Seifert  
*Attorney, Agent, or Firm*—Clifford W. Browning; Woodard, Emhardt, Naughton, Moriarty & McNett

## [57] CLAIM

The ornamental design for a link for a watch bracelet, as shown and described.

## DESCRIPTION

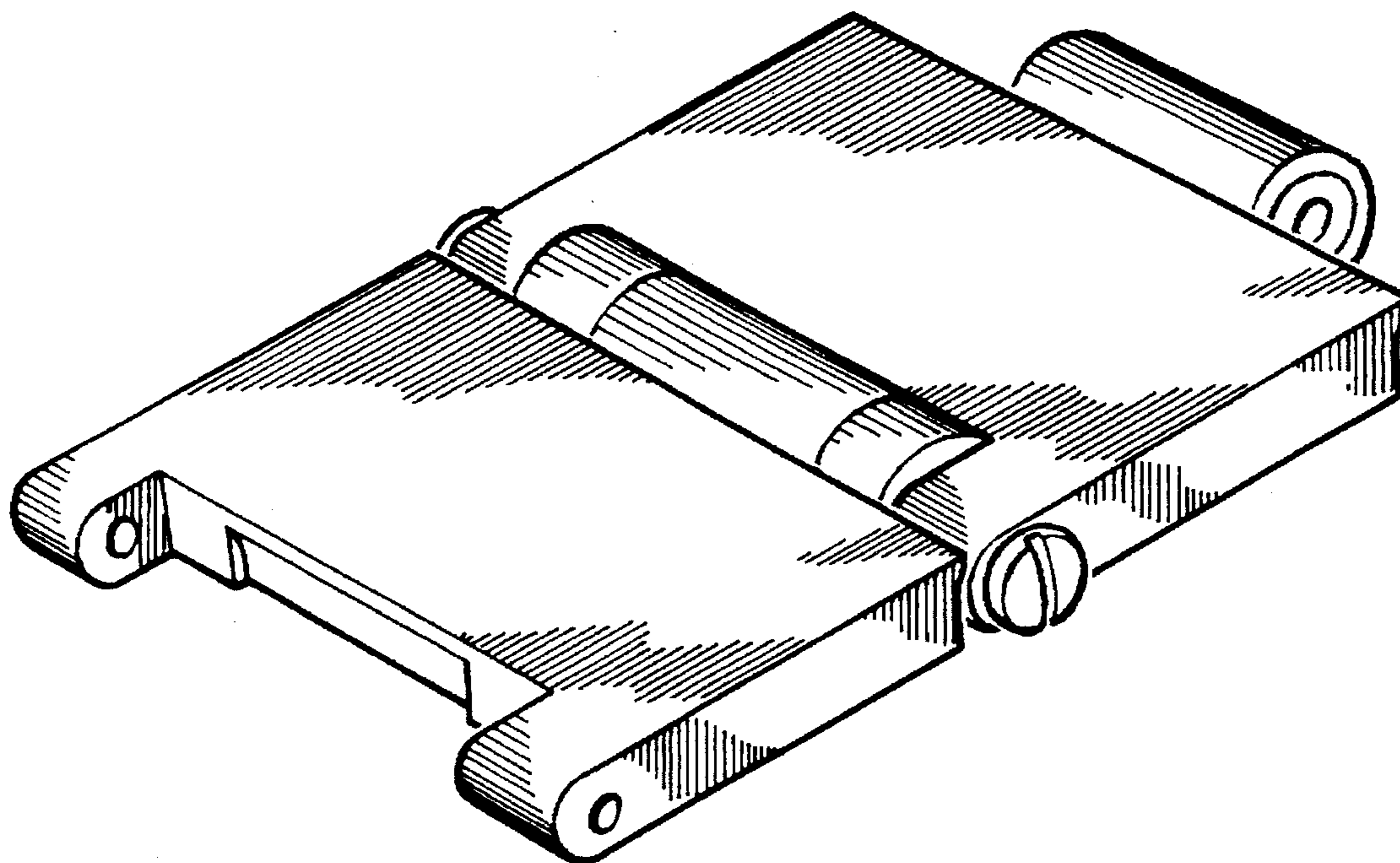
FIG. 1 is a perspective view of a link for a watch bracelet, showing my new design;  
 FIG. 2 is a top plan view;  
 FIG. 3 is a bottom plan view;  
 FIG. 4 is a right side elevation view;  
 FIG. 5 is a left side elevation view;  
 FIG. 6 is a front elevation view; and,  
 FIG. 7 is a rear elevation view.

[56] **References Cited**

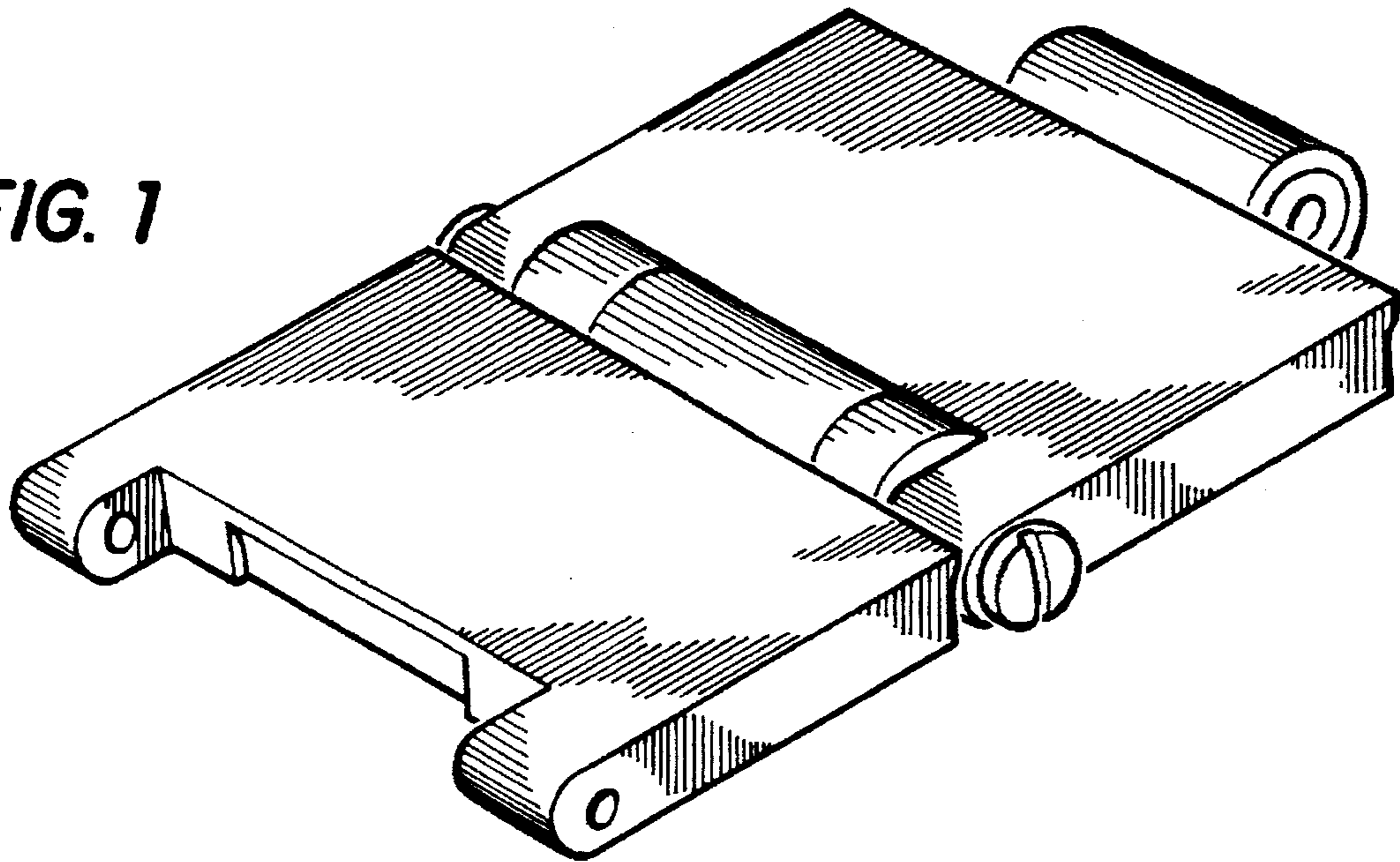
U.S. PATENT DOCUMENTS

D. 164,343 8/1951 Wishegrad ..... D11/12  
 D. 374,111 10/1996 Wilson ..... D11/12  
 1,626,139 4/1927 Kraysler ..... D11/12

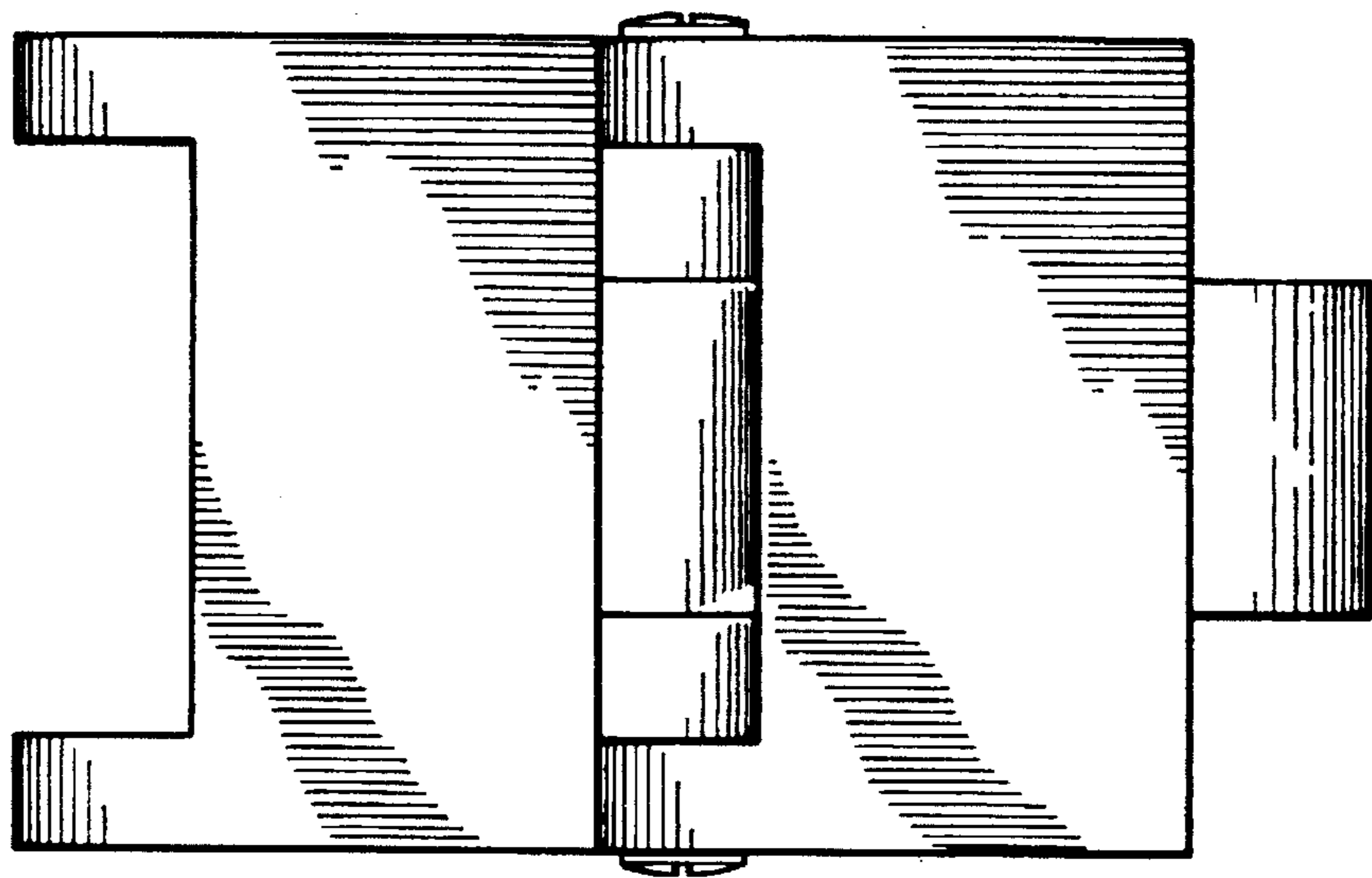
**1 Claim, 2 Drawing Sheets**



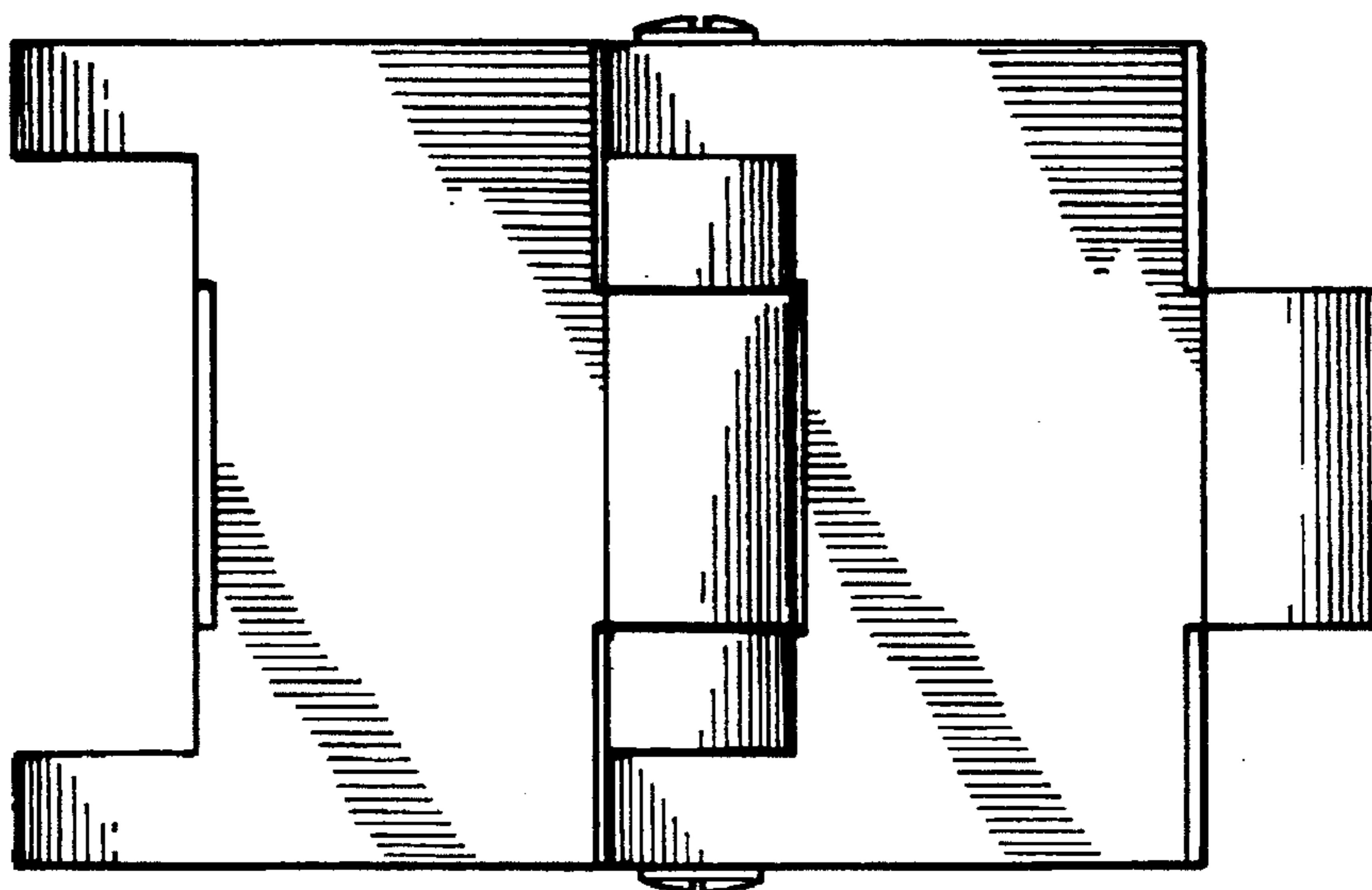
**FIG. 1**



**FIG. 2**



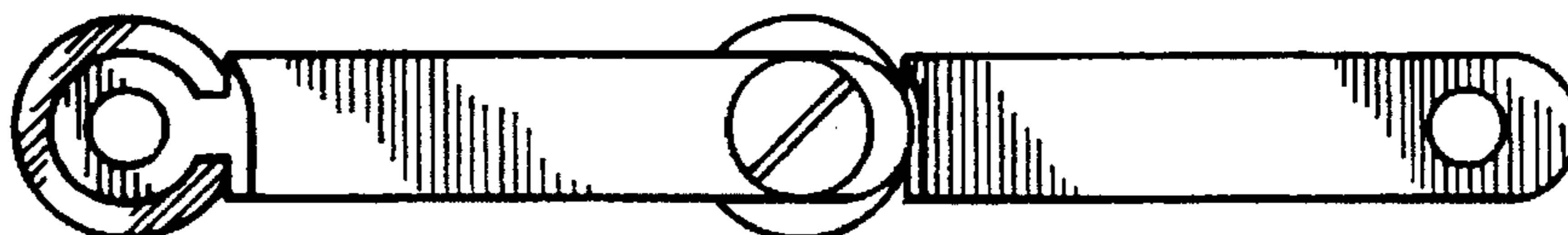
**FIG. 3**



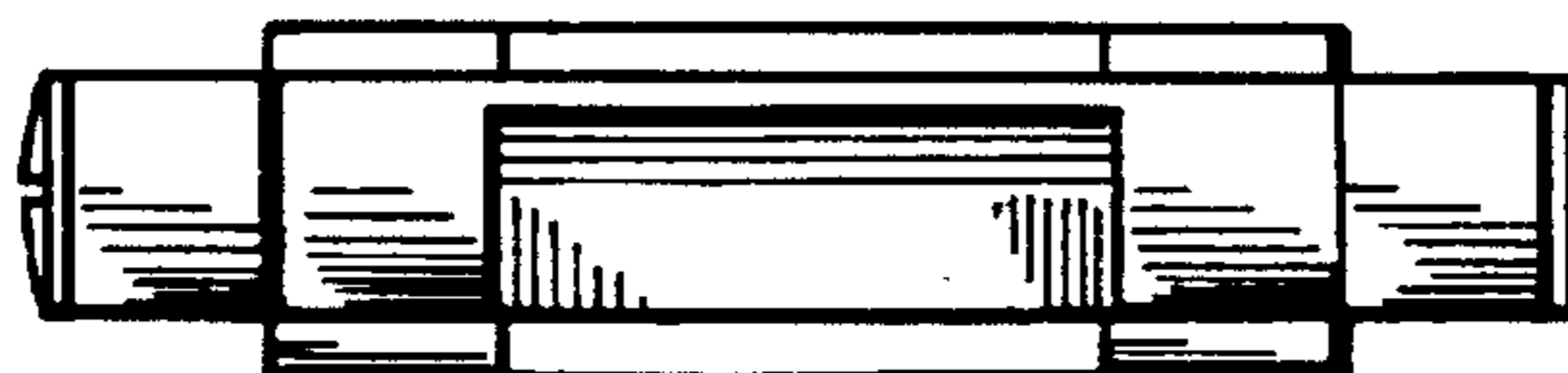
**FIG. 4**



**FIG. 5**



**FIG. 6**



**FIG. 7**

