



US00D382501S

**United States Patent** [19]  
**Clement**

[11] **Patent Number: Des. 382,501**  
[45] **Date of Patent: \*\*Aug. 19, 1997**

[54] **DIRECTIONAL INDICATING BAND FOR ATTACHMENT TO FIRE FIGHTING HOSE**

[76] **Inventor: Clifford Clement, 193 High St., Somerset, Mass. 02726**

[\*\*] **Term: 14 Years**

[21] **Appl. No.: 49,584**

[22] **Filed: Nov. 22, 1995**

[51] **LOC (6) Cl. .... 10-05**

[52] **U.S. Cl. .... D10/109; D29/129; D8/395**

[58] **Field of Search .... D29/129; 116/205; 138/104; D10/109, 111; D8/395**

[56] **References Cited**

**U.S. PATENT DOCUMENTS**

D. 345,519	3/1994	Clement	.....	D10/109
D. 345,520	3/1994	Clement	.....	D10/109
4,844,000	7/1989	Clement	.....	116/205
5,027,741	7/1991	Smith	.....	116/205

*Primary Examiner—Kay H. Chin*  
*Attorney, Agent, or Firm—Robert J. Doherty*

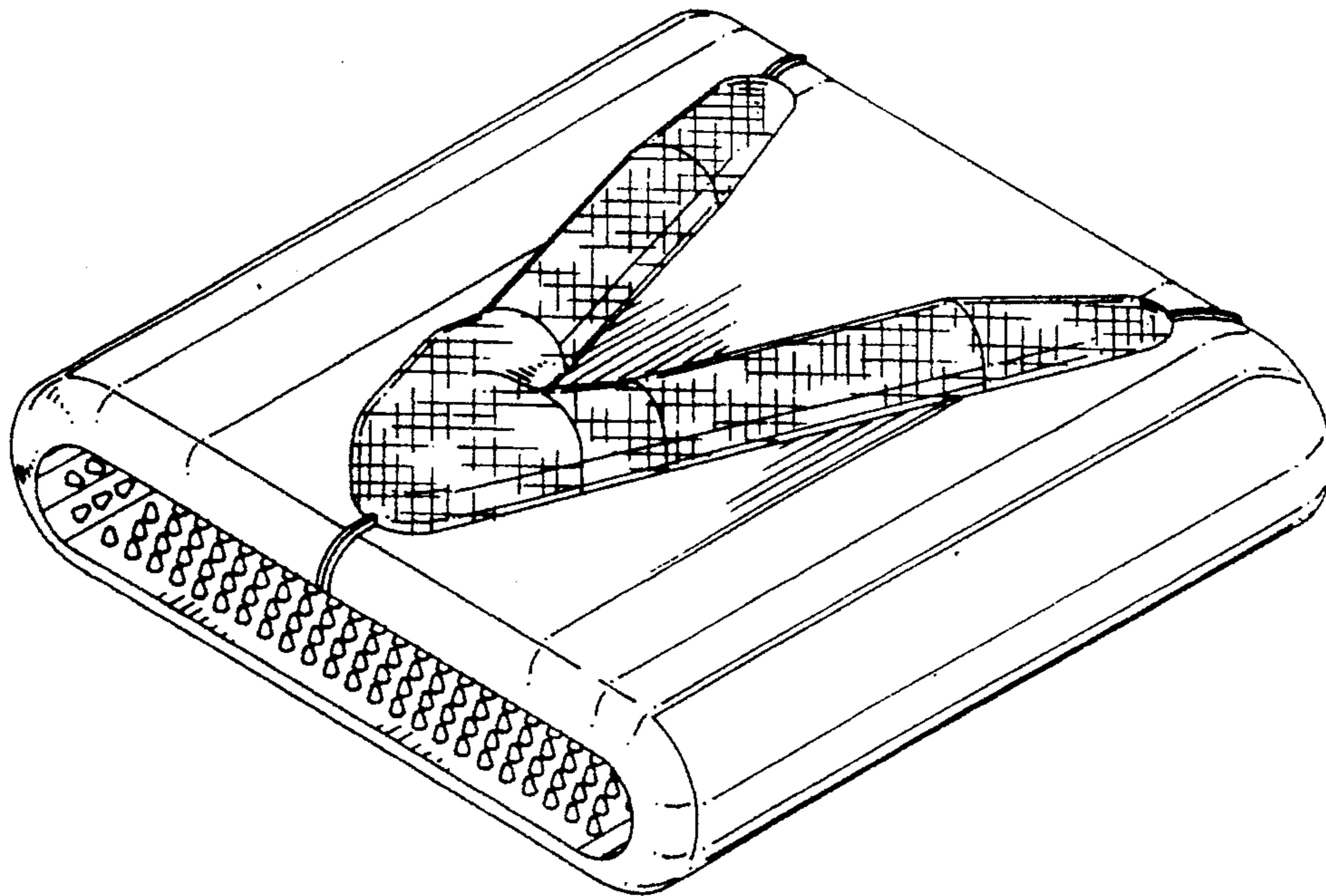
[57] **CLAIM**

The ornamental design for a directional indicating band for attachment to fire fighting hose, as shown and described.

**DESCRIPTION**

FIG. 1 is a front perspective view of a directional indicating band for attachment to fire fighting hose showing my new design;  
 FIG. 2 is a top plan view thereof;  
 FIG. 3 is a bottom plan view thereof;  
 FIG. 4 is a left side elevational view thereof, the right side being a mirror image of the right side;  
 FIG. 5 is a rear elevational view thereof;  
 FIG. 6 is a front elevational view thereof;  
 FIG. 7 is a front top perspective view of a second embodiment thereof;  
 FIG. 8 is a top plan view of FIG. 7;  
 FIG. 9 is a bottom plan view of FIG. 7;  
 FIG. 10 is a right side elevational view of FIG. 7, the left side being a mirror image of the right side;  
 FIG. 11 is a rear elevational view of FIG. 7; and,  
 FIG. 12 is a front elevational view of FIG. 7.  
 It is understood that the views have been shaded to indicate yellow or gold colors.

**1 Claim, 4 Drawing Sheets**



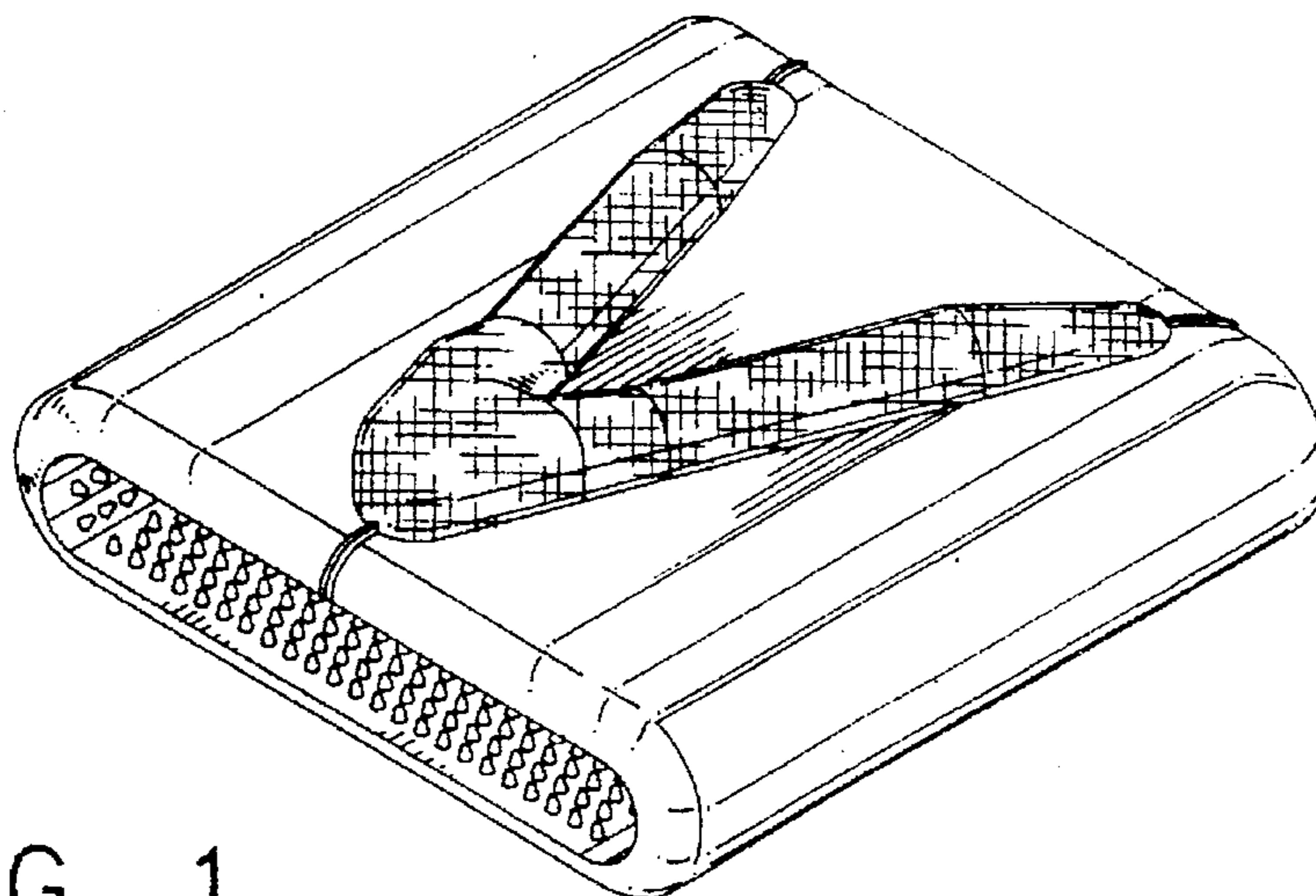


FIG. 1

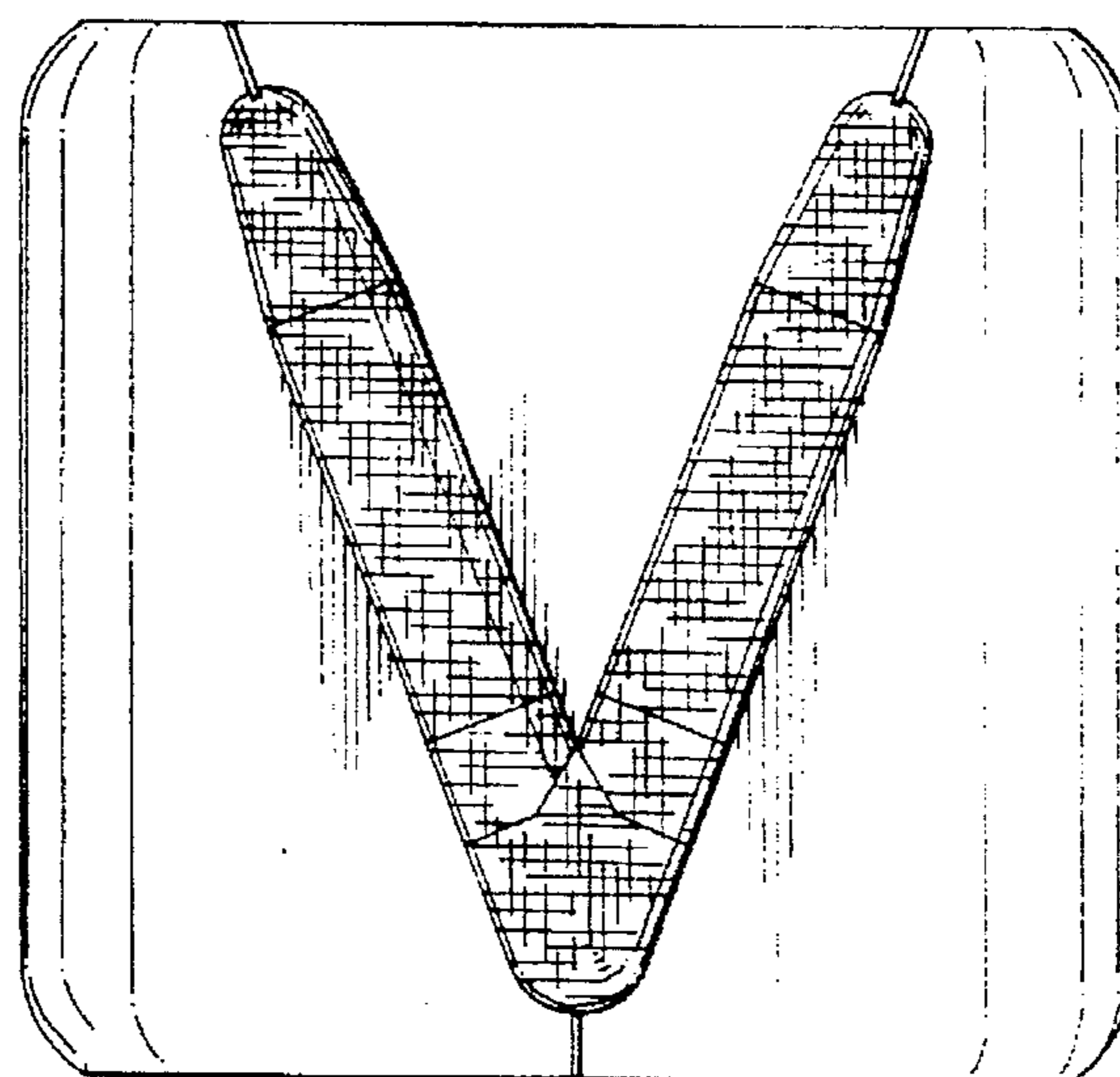


FIG. 2

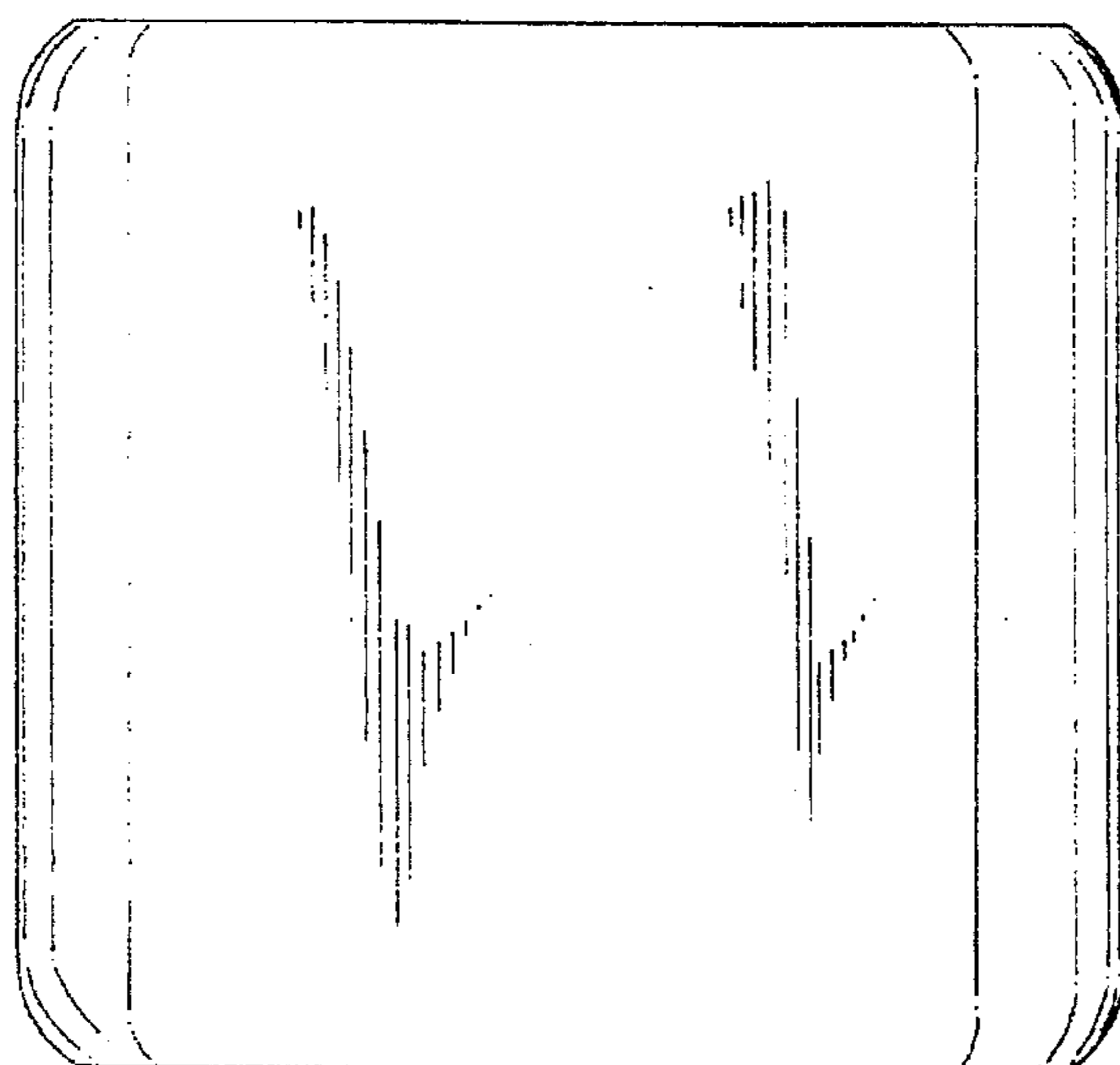


FIG. 3

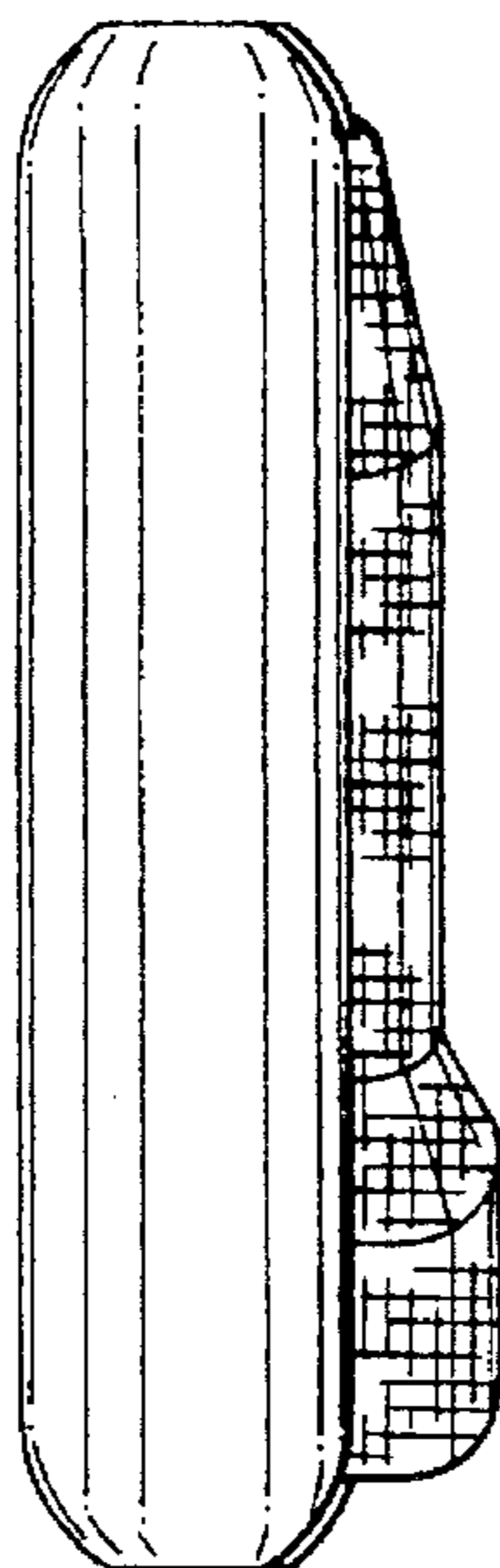


FIG. 4

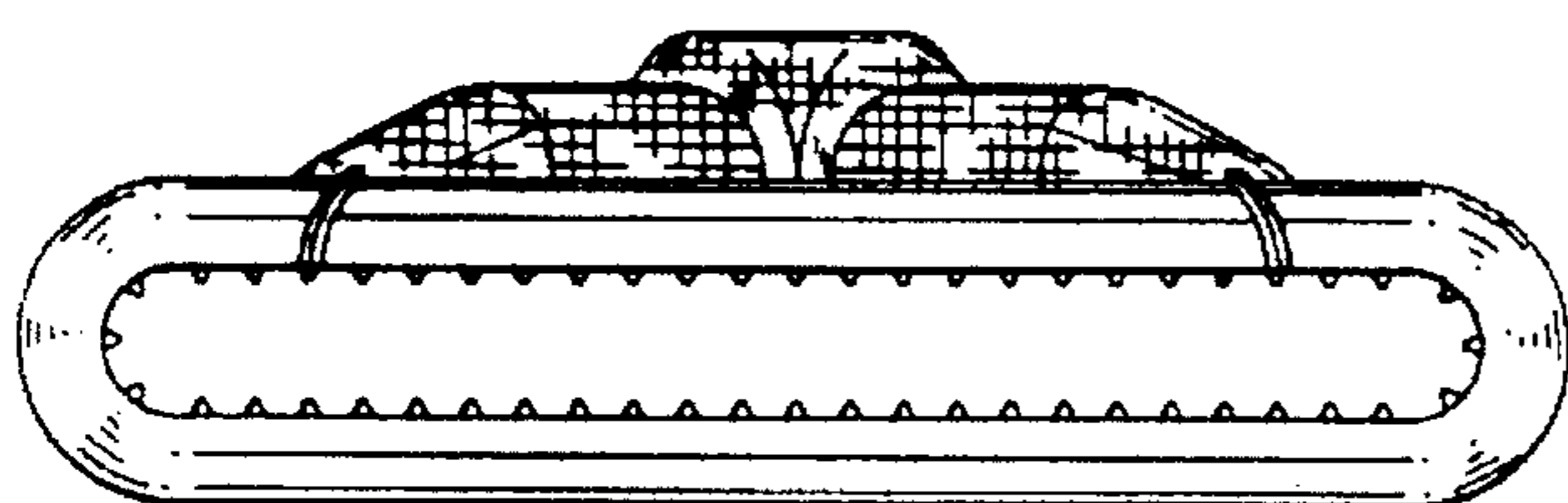


FIG. 5

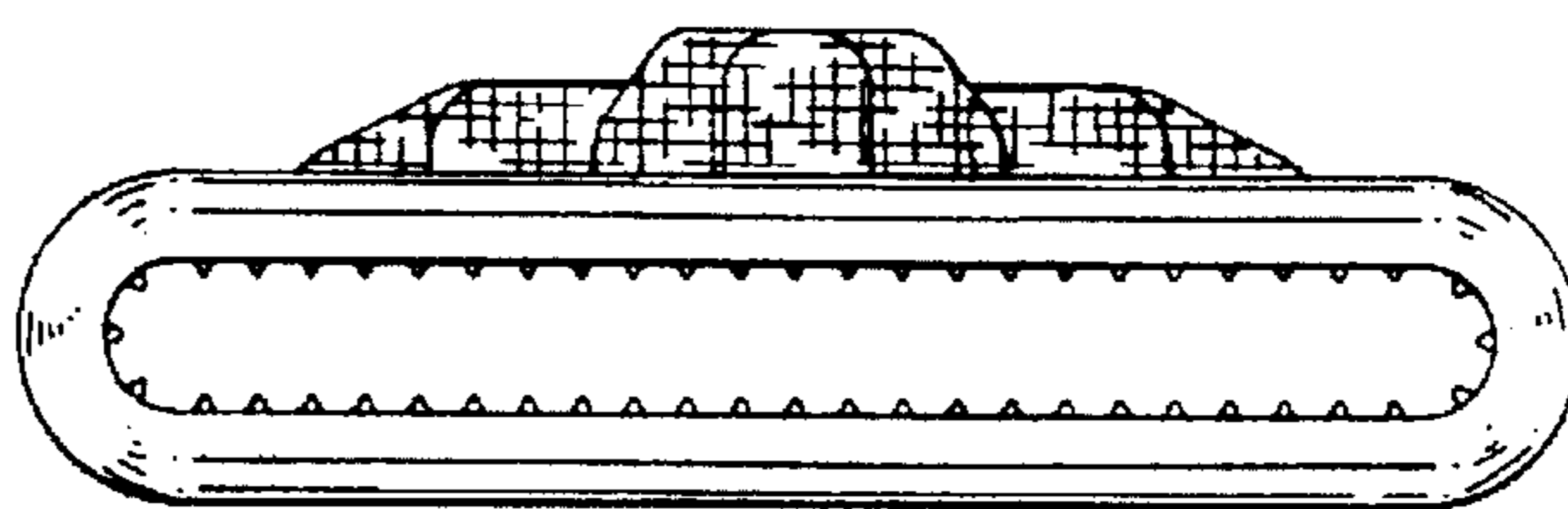


FIG. 6

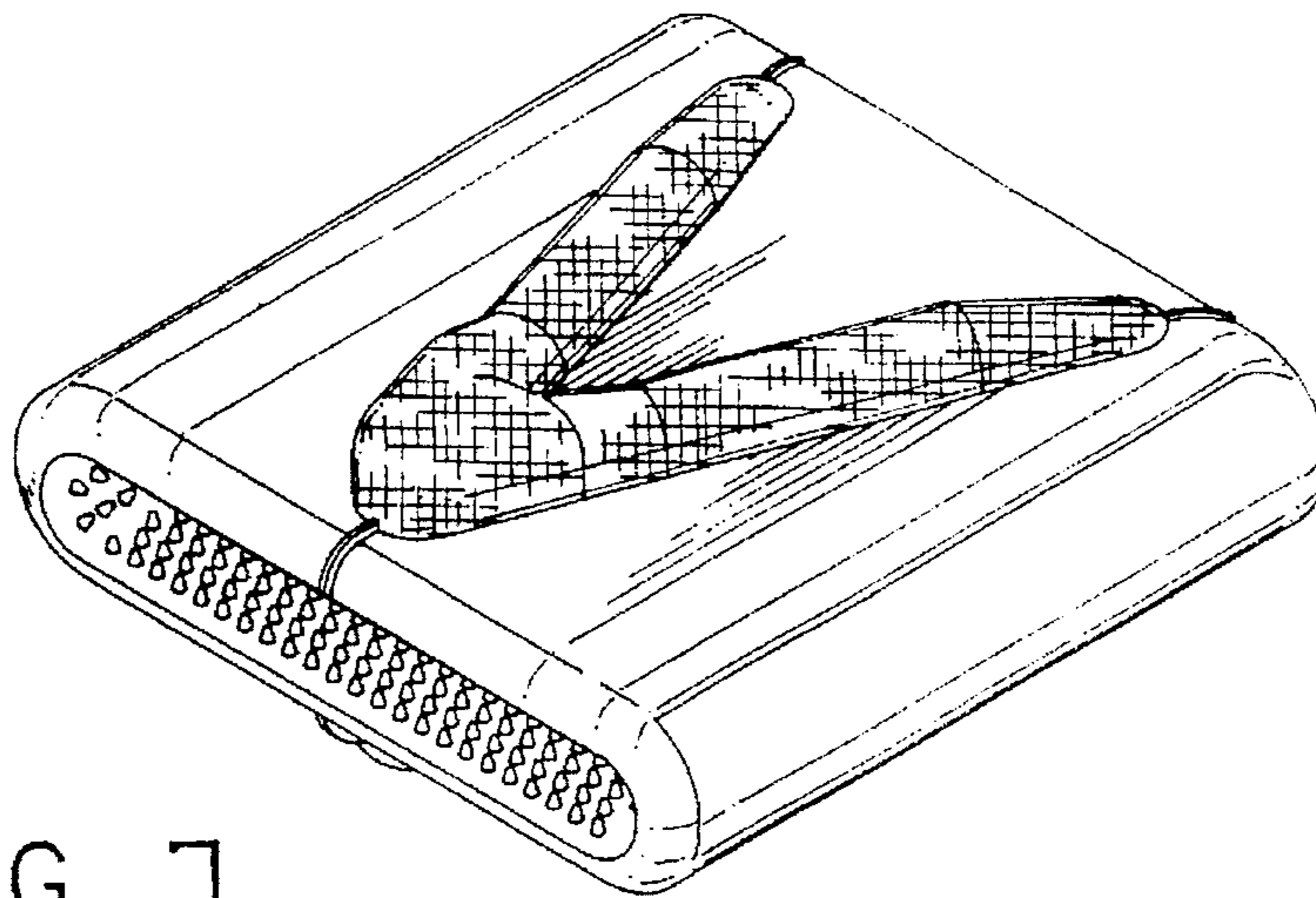


FIG. 7

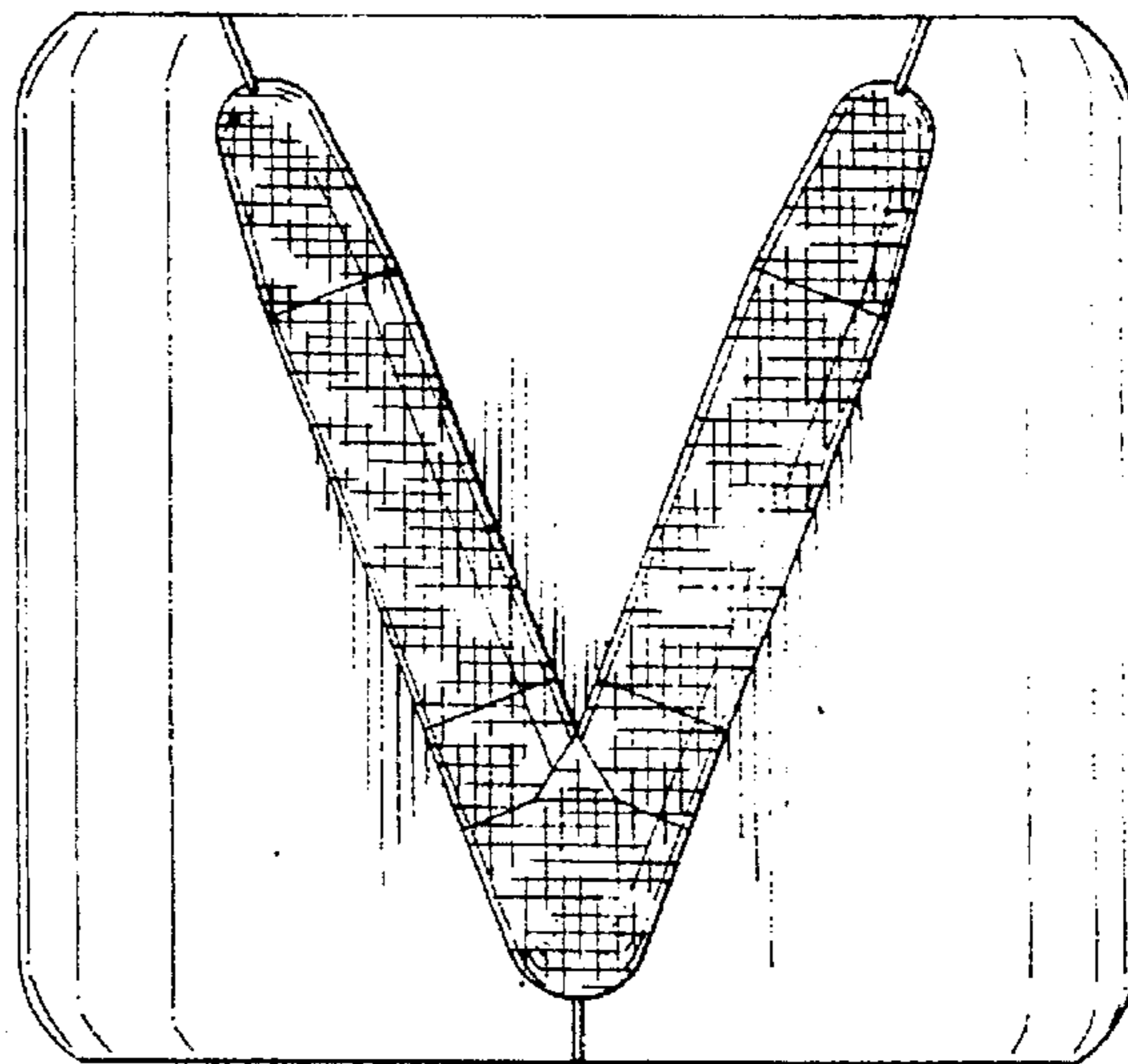


FIG. 8

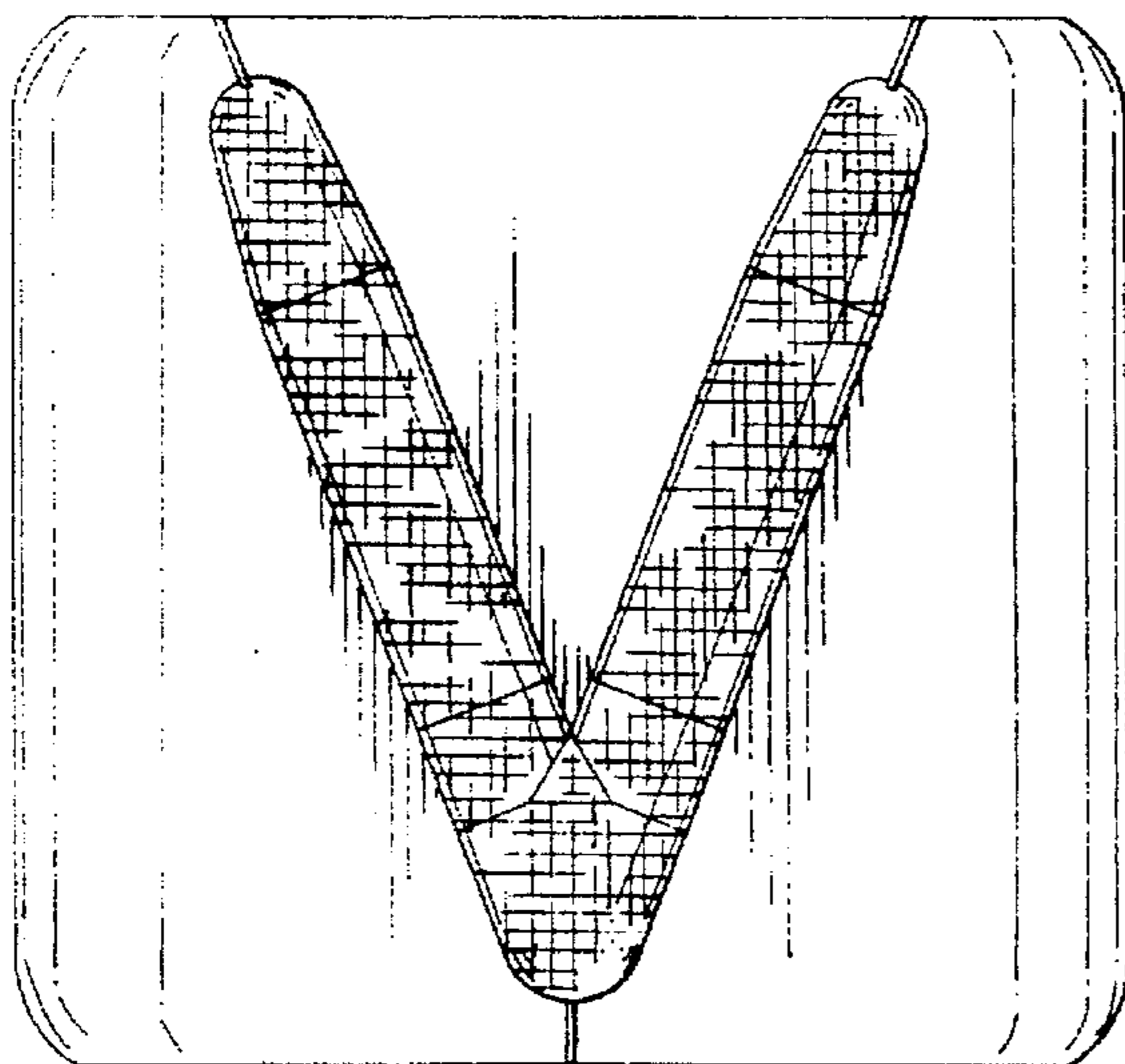


FIG. 9

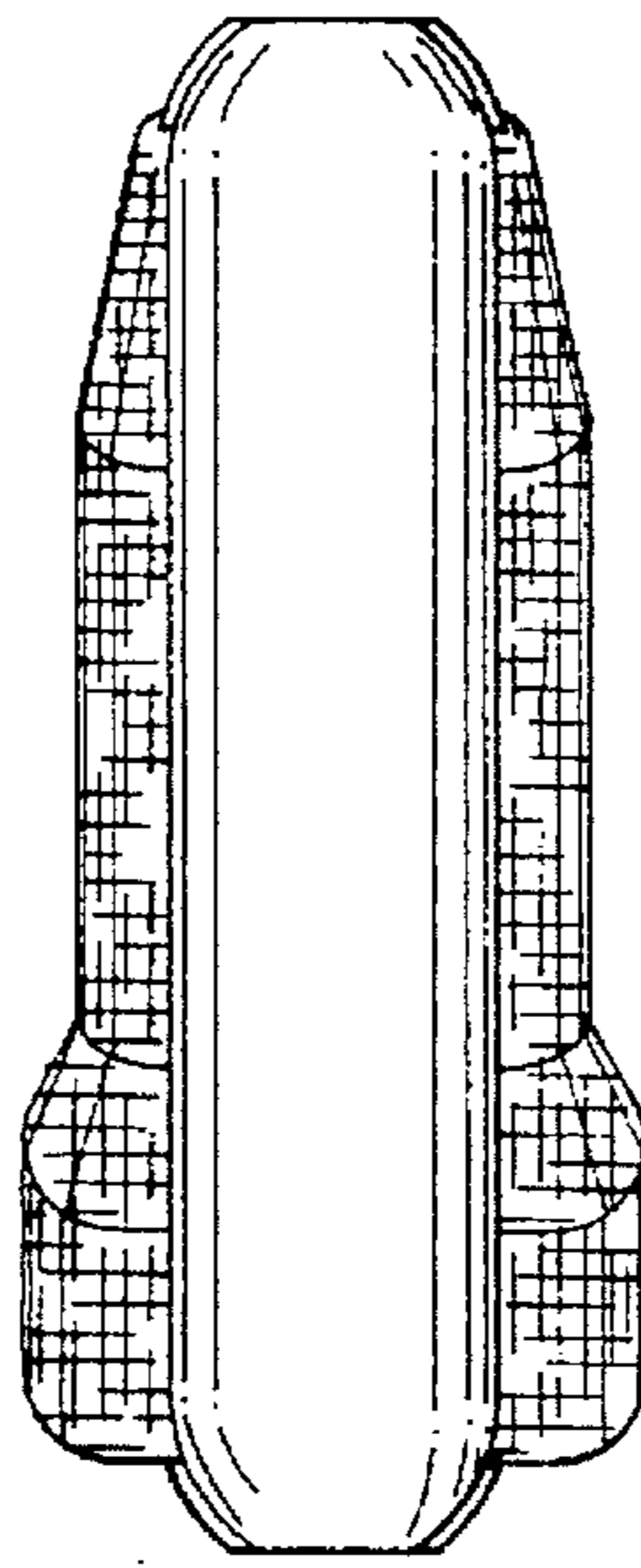


FIG. 10

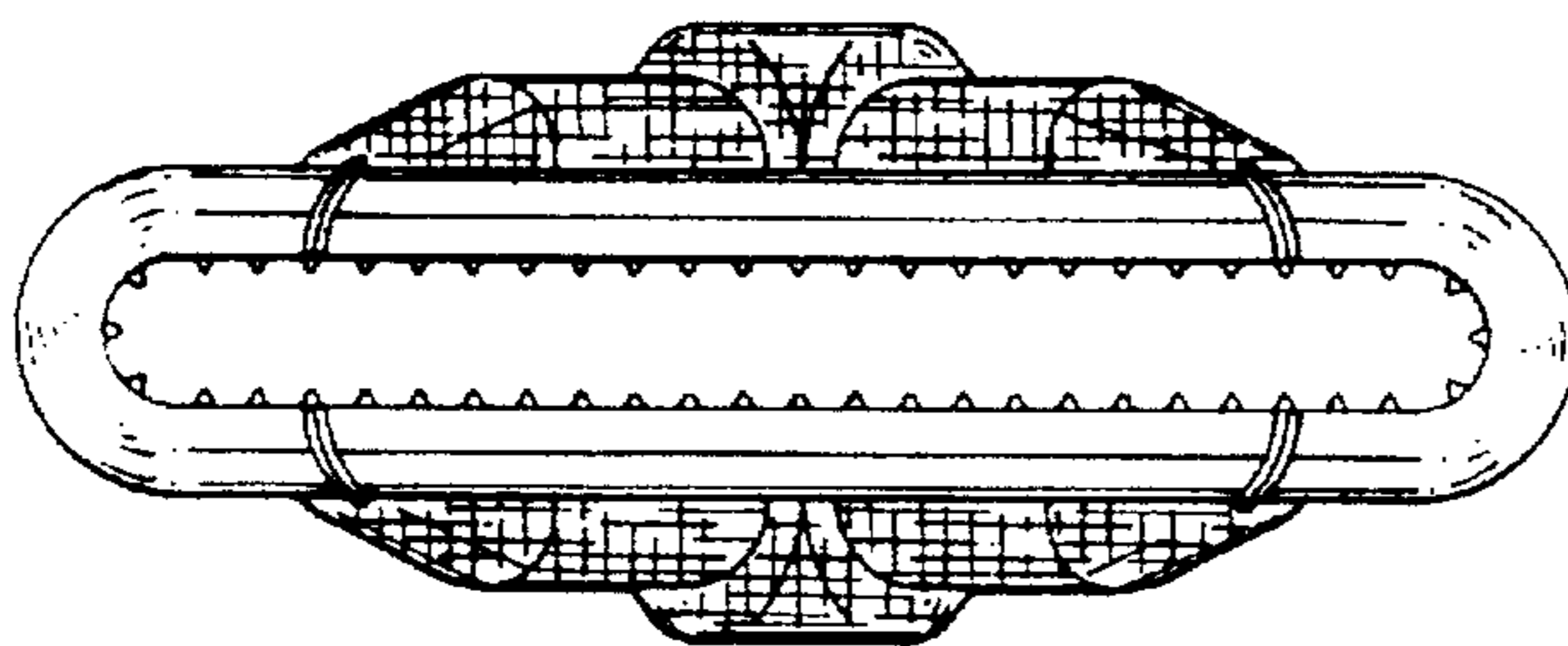


FIG. 11

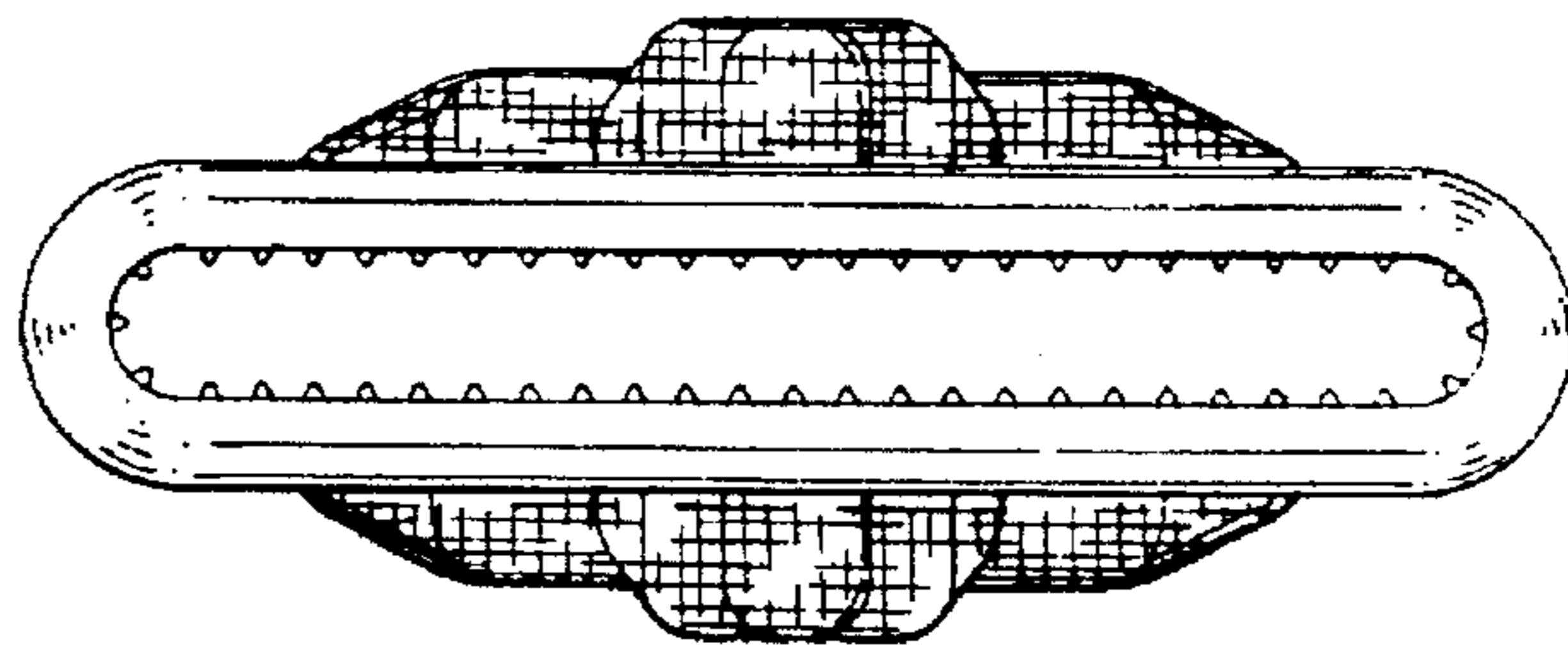


FIG. 12