



US00D382499S

United States Patent [19]
Beha

[11] **Patent Number: Des. 382,499**

[45] **Date of Patent: **Aug. 19, 1997**

[54] **FOLDABLE MEASURING APPARATUS**

[75] Inventor: **Christian Beha**, Glottertal, Germany

[73] Assignee: **Ch. Beha GmbH Technische Neuentwicklungen**, Glottertal, Germany

[**] Term: **14 Years**

[21] Appl. No.: **51,992**

[22] Filed: **Mar. 21, 1996**

[51] **LOC (6) Cl.** **10-04**

[52] **U.S. Cl.** **D10/78**

[58] **Field of Search** D10/78; 73/431;
324/72.5, 149, 114, 156; 439/482

[56] **References Cited**

U.S. PATENT DOCUMENTS

D. 312,218	11/1990	Hill	D10/78
D. 349,860	8/1994	Omuro et al.	D10/78
3,555,420	1/1971	Schwartz	324/149
4,298,837	11/1981	Kuslar	324/72.5
5,448,162	9/1995	Beha	324/72.5

Primary Examiner—Antoine Duval Davis

Attorney, Agent, or Firm—Nath & Associates; Gary M. Nath

[57] **CLAIM**

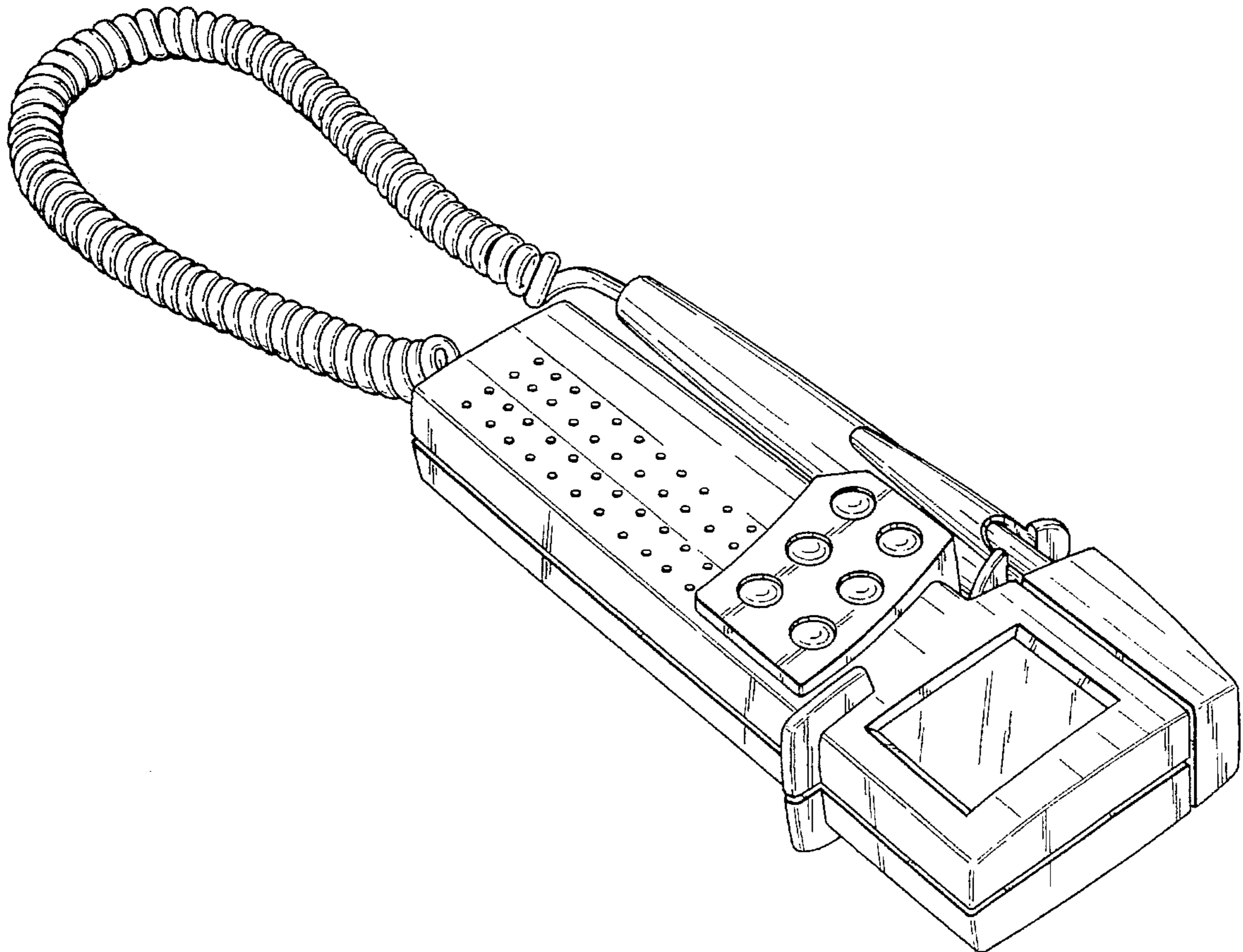
The ornamental design for a foldable measuring apparatus, as shown and described.

DESCRIPTION

FIG. 1 is a front perspective view of the foldable measuring apparatus showing my new design in a storage position; FIG. 2 is a front perspective view of the foldable measuring apparatus showing my new design in an extended position; FIG. 3 is a front plan view of the foldable measuring apparatus showing a display panel having readable indicia; FIG. 4 is a rear plan view of the foldable measuring apparatus; FIG. 5 is a side plan view of the foldable measuring apparatus showing the storage position; FIG. 6 is a side plan view of the side opposite that shown in FIG. 5 of the foldable measuring apparatus; FIG. 7 is a bottom plan view of the foldable measuring apparatus; and, FIG. 8 is a top plan view of the foldable measuring apparatus.

The broken line showing is for illustrative purposes only and forms no part of the claimed design.

1 Claim, 6 Drawing Sheets



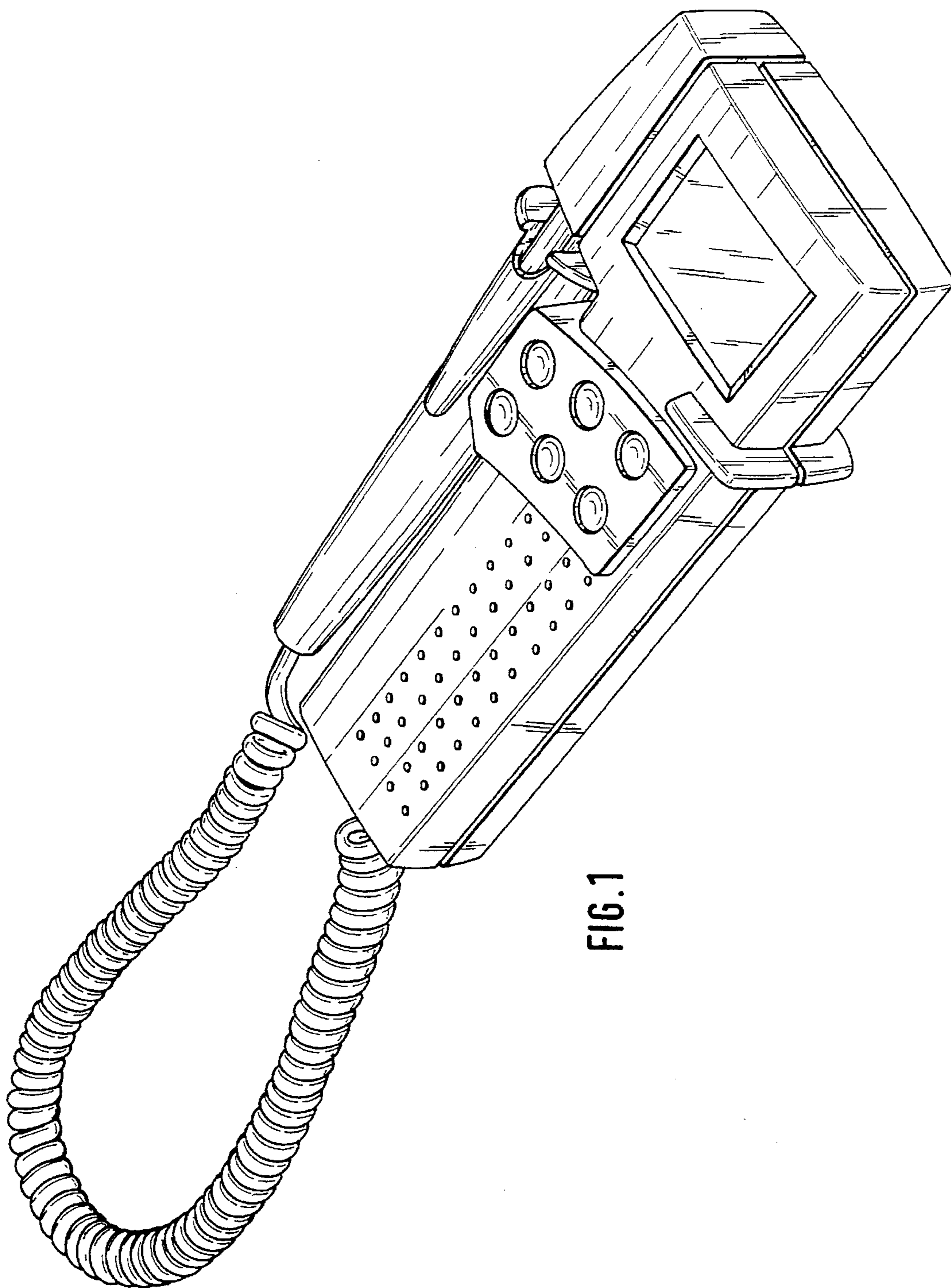


FIG. 1

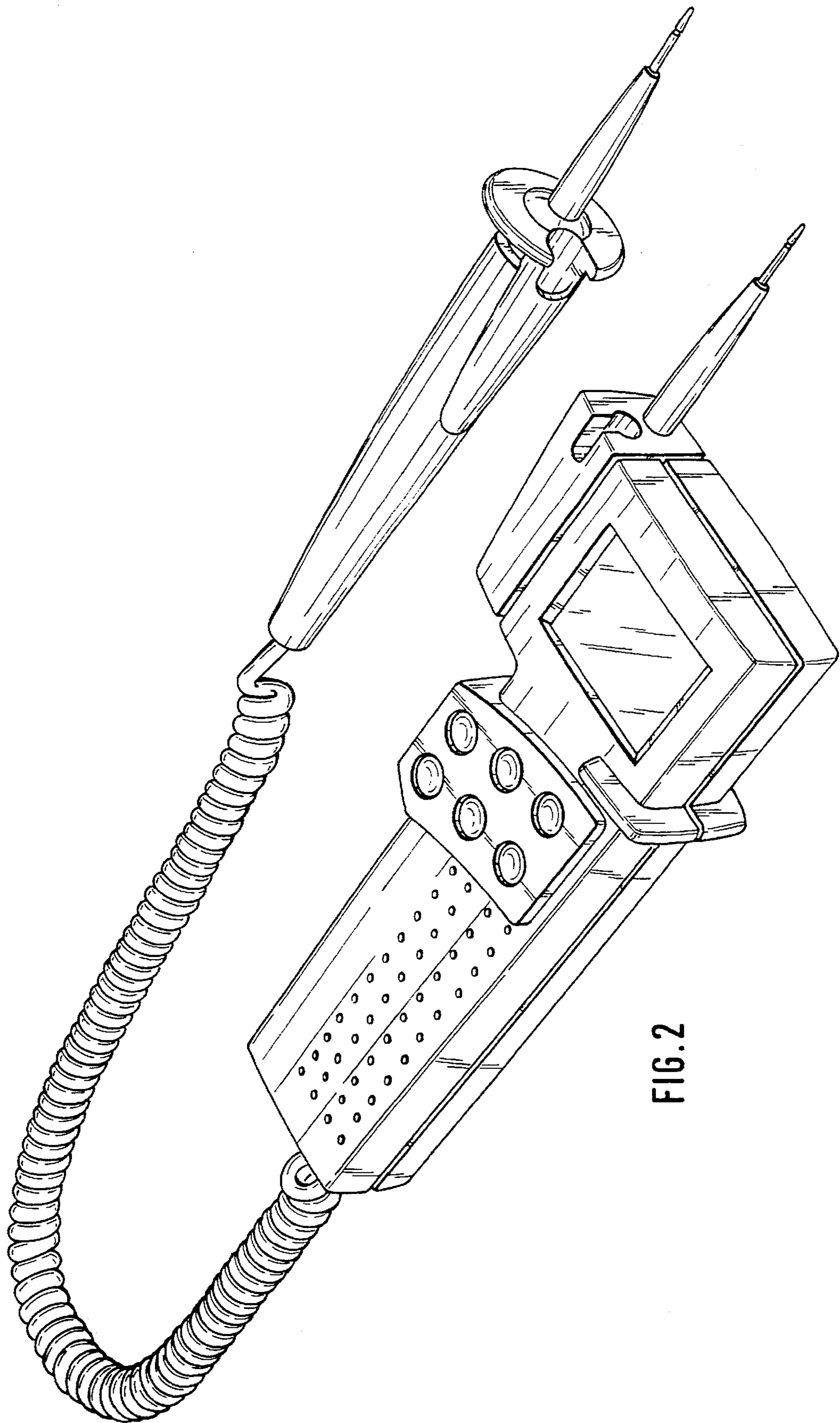


FIG. 2

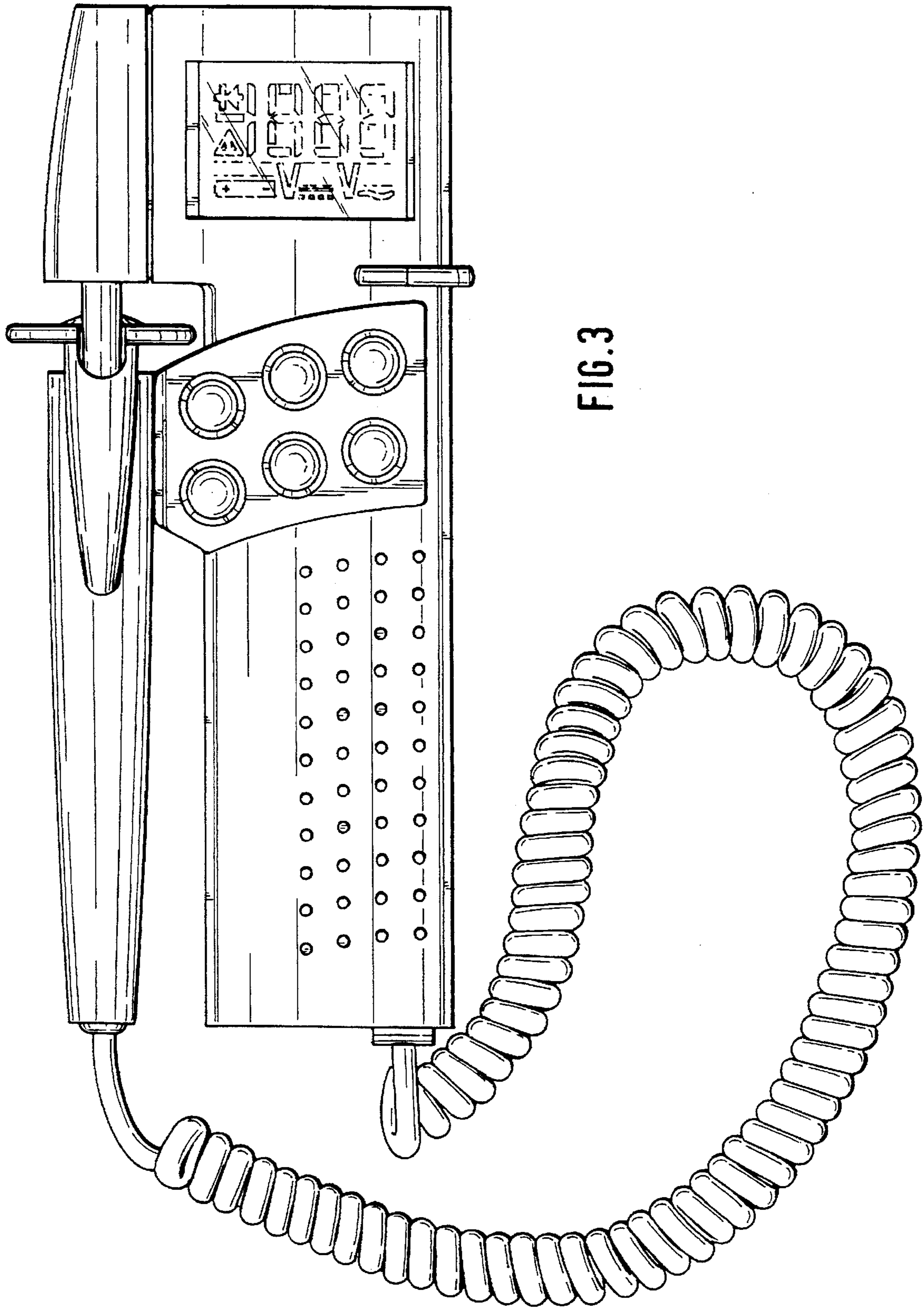


FIG. 3

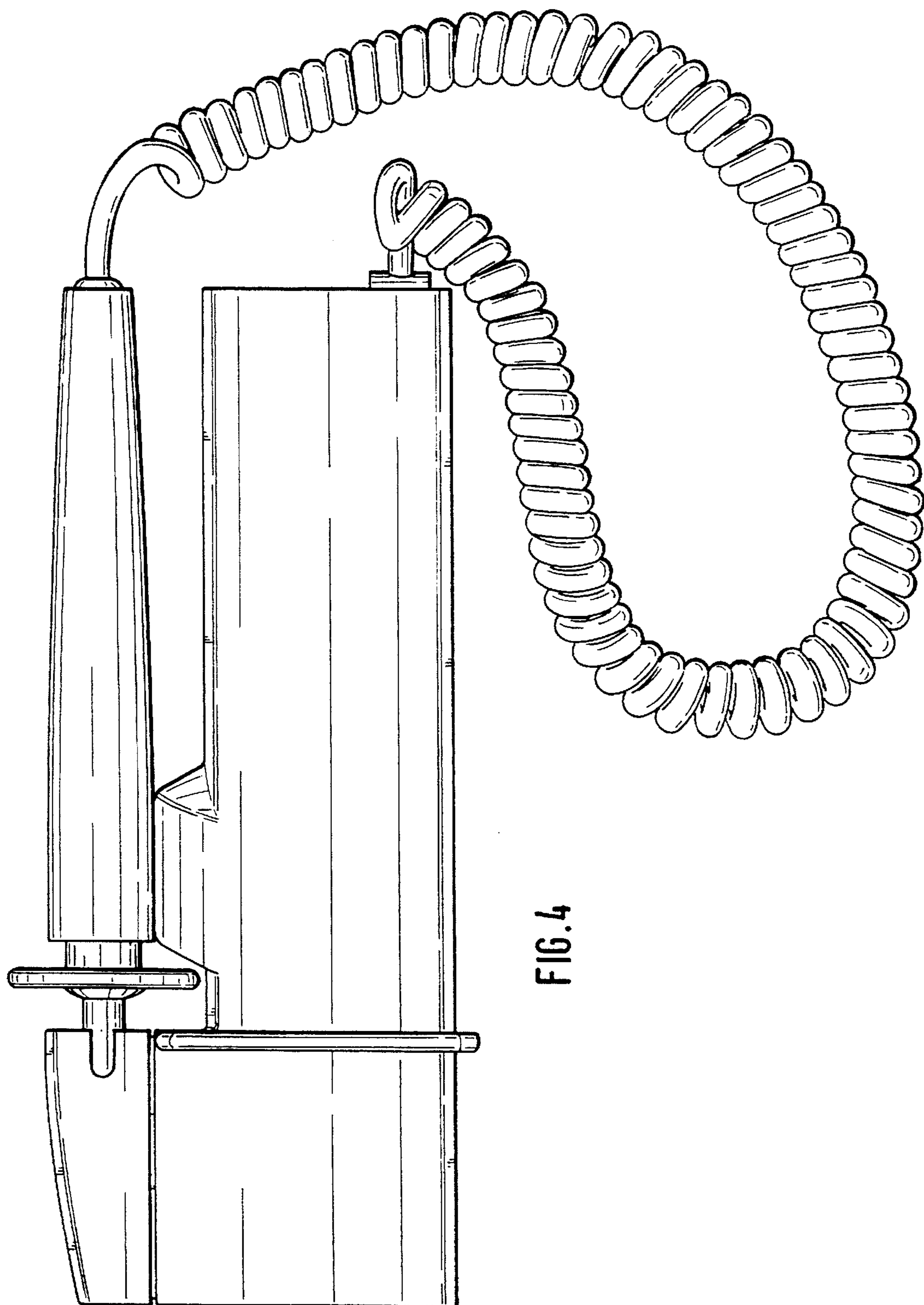
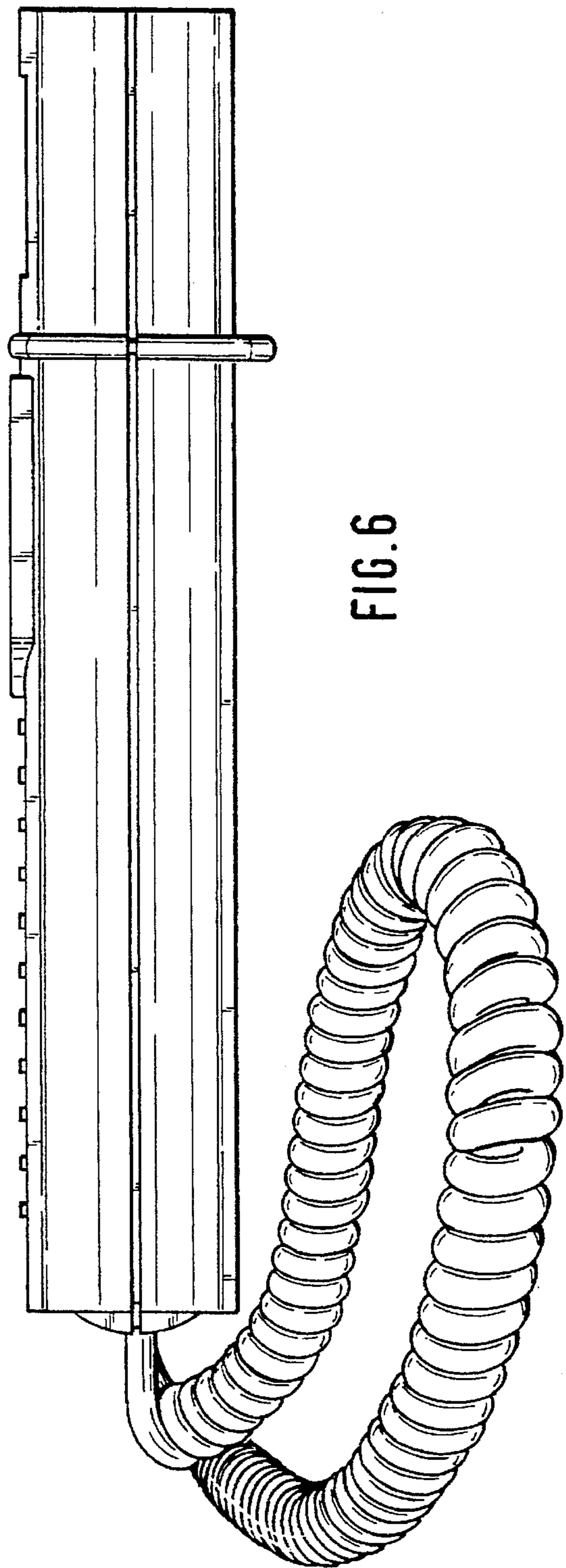
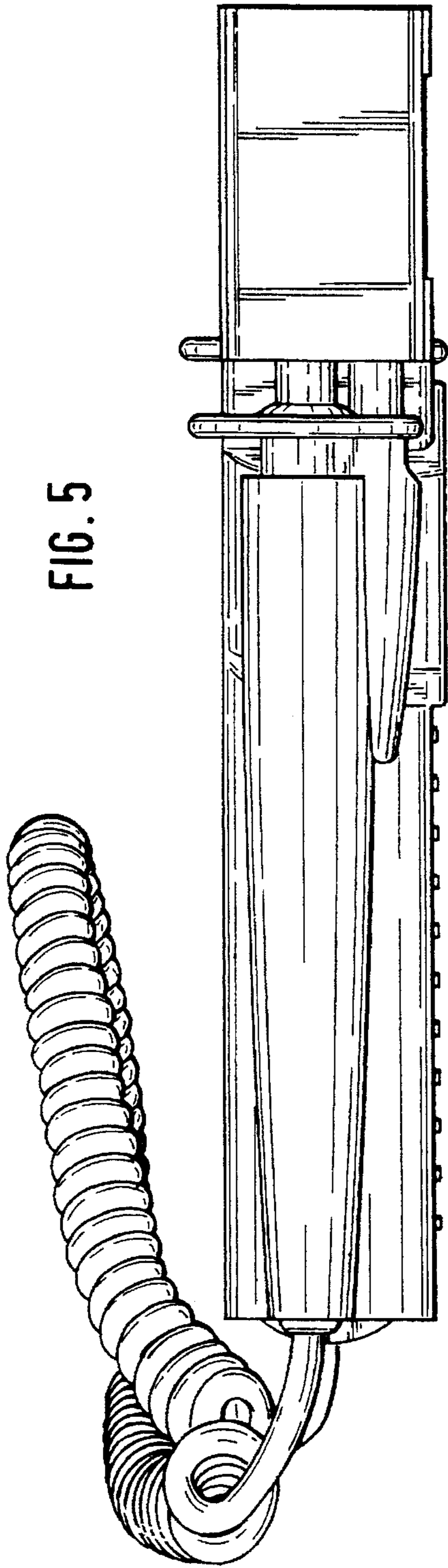


FIG. 4



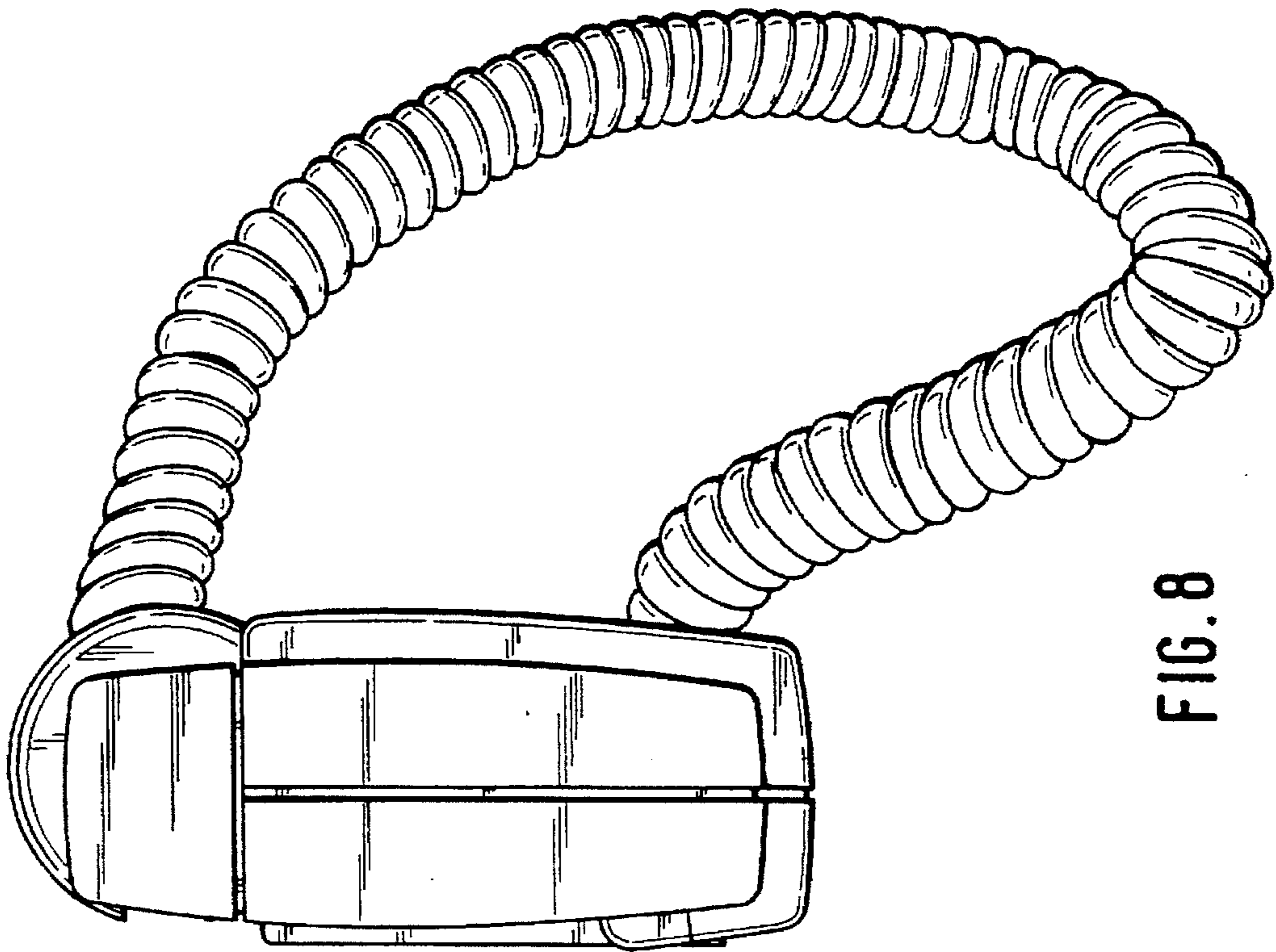


FIG. 8

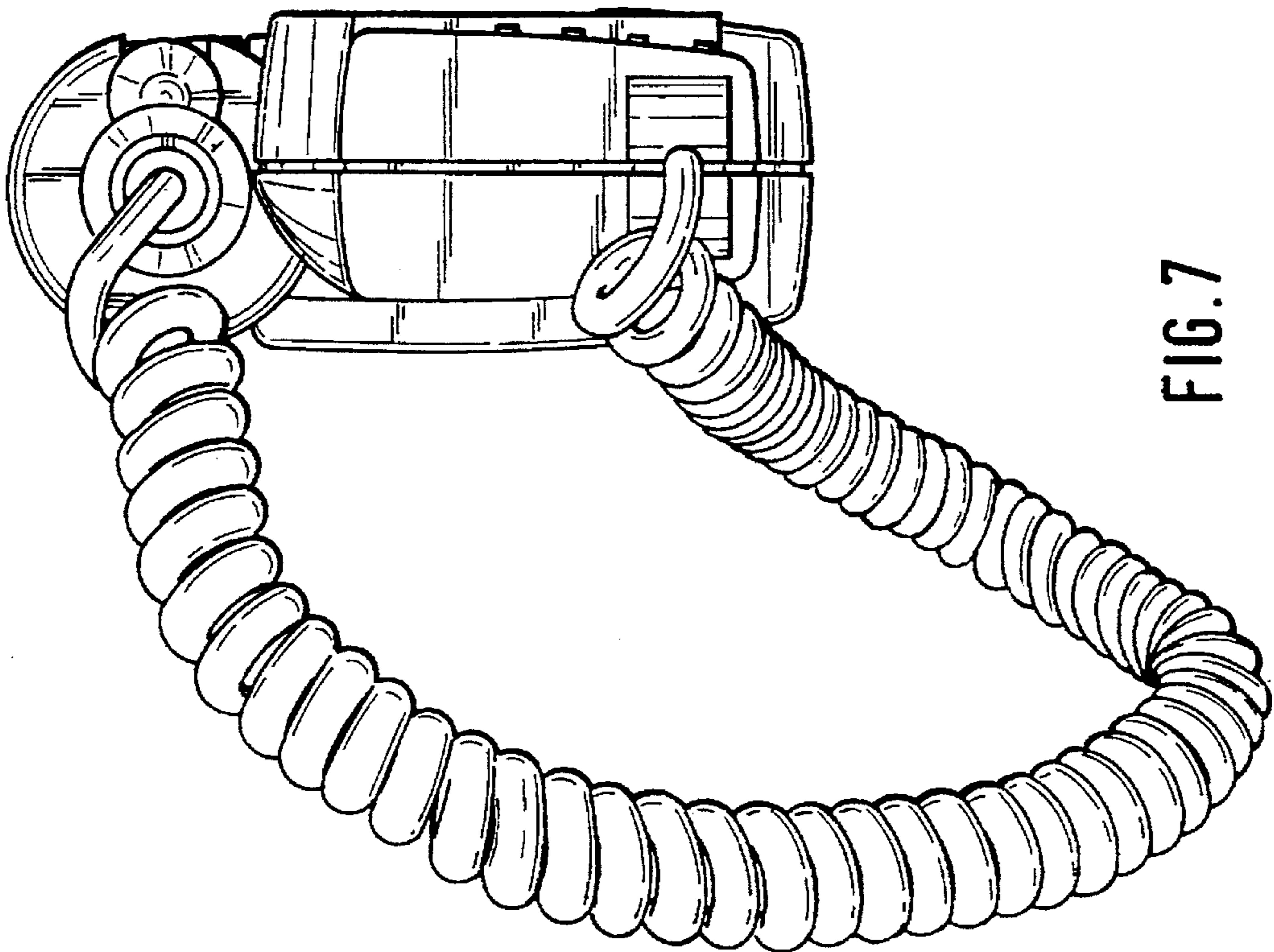


FIG. 7