



US00D382498S

**United States Patent** [19]  
**Warwick**

[11] **Patent Number: Des. 382,498**

[45] **Date of Patent: \*\*Aug. 19, 1997**

[54] **ELECTRIC METER**

[75] **Inventor: Ronald Warwick, Liverpool, England**

[73] **Assignee: Siemens Measurements Limited,  
Lancs, England**

[\*\*] **Term: 14 Years**

[21] **Appl. No.: 53,627**

[22] **Filed: Apr. 26, 1996**

[30] **Foreign Application Priority Data**

Oct. 27, 1995 [GB] United Kingdom ..... 2051522

[51] **LOC (6) Cl. .... 10-04**

[52] **U.S. Cl. .... D10/75; D10/81**

[58] **Field of Search** ..... D10/46, 75, 81;  
73/431; 206/305; 250/231.17, 239; 323/369;  
324/103 R, 96, 99 D, 110, 115, 116, 132,  
156, 157; 327/350; 340/870.02, 870.29;  
359/85, 86; 361/659, 660, 664, 668, 641;  
439/517, 544, 677; 341/125, 138, 168

[56] **References Cited**

**U.S. PATENT DOCUMENTS**

D. 187,985 5/1960 Franklin ..... D10/81 X  
D. 262,442 12/1981 Bressler et al. .... D10/75 X  
4,825,557 5/1989 Nettleton et al. .... 73/431 X  
5,431,038 7/1995 Furnie ..... 73/431 X

*Primary Examiner—Antoine Duval Dayis*  
*Attorney, Agent, or Firm—Hill, Steadman & Simpson*

[57] **CLAIM**

The ornamental design for an electric meter, as shown and described.

**DESCRIPTION**

FIG. 1 is a perspective view taken from the upper front right side of an electric meter in accordance with the present invention;

FIG. 2 is a perspective view taken from the bottom front right side of the electric meter of FIG. 1;

FIG. 3 is a perspective view taken from the upper front left side of the electric meter of FIG. 1;

FIG. 4 is a front elevational view of the electric meter of FIG. 1;

FIG. 5 is a top plan view of the electric meter of FIG. 1;

FIG. 6 is a bottom plan view of the electric meter of FIG. 1;

FIG. 7 is a back elevational view of the electric meter of FIG. 1;

FIG. 8 is an elevational view of the right side of the electric meter of FIG. 1;

FIG. 9 is an elevational view of the left side of the electric meter of FIG. 1; and,

FIG. 10 is a perspective view taken from the upper back left side of the electric meter of FIG. 1.

**1 Claim, 8 Drawing Sheets**

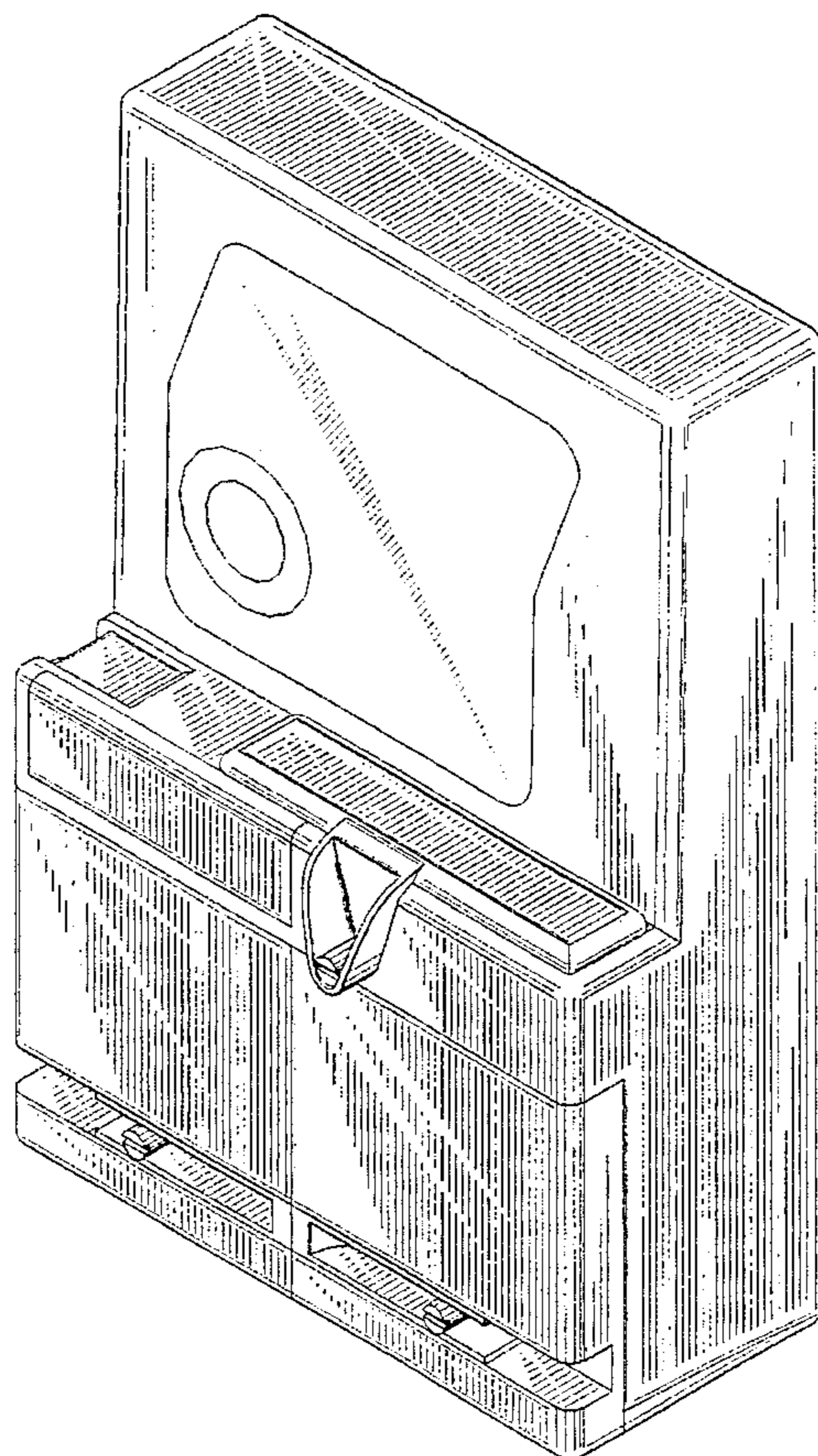


FIG. 1

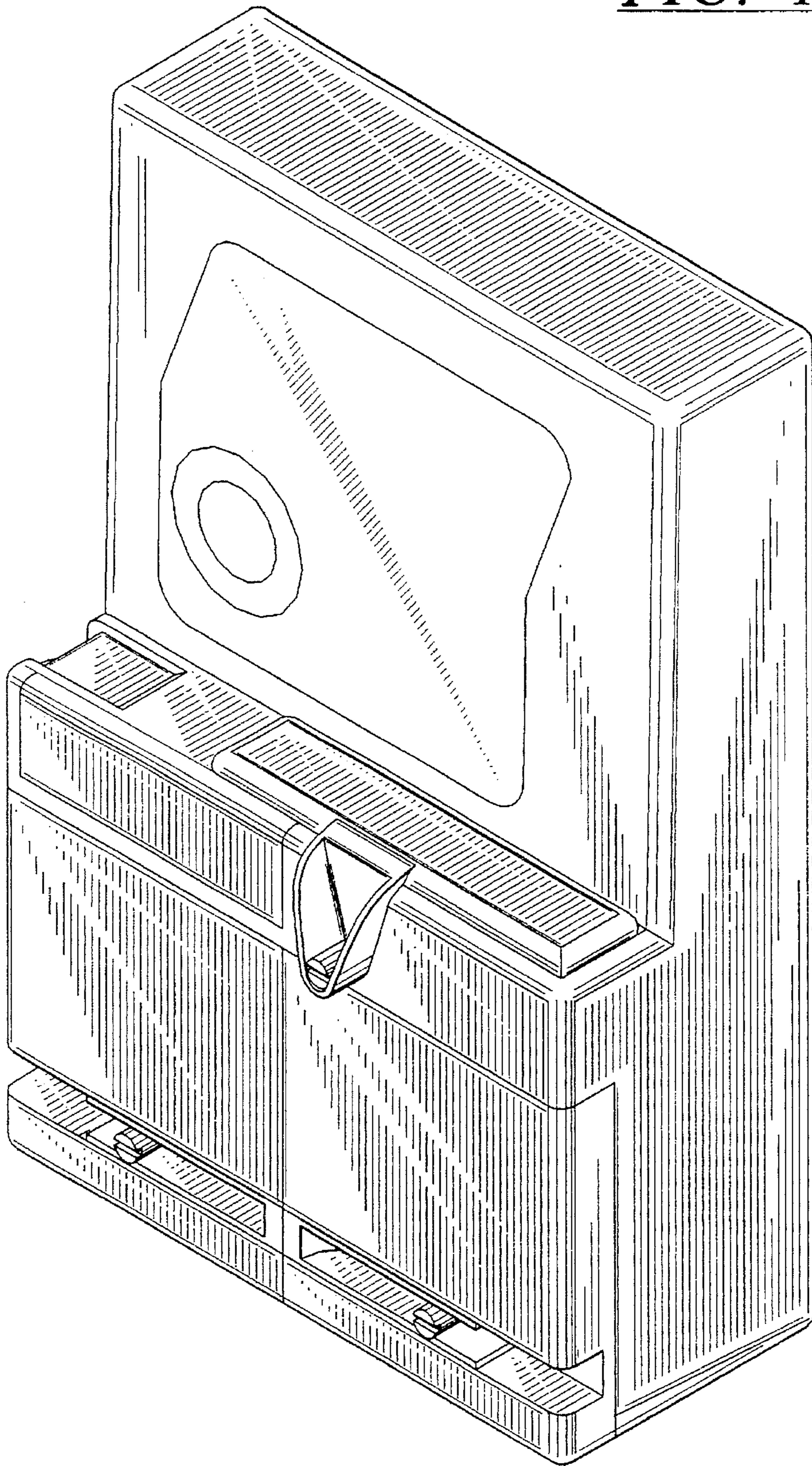


FIG. 2

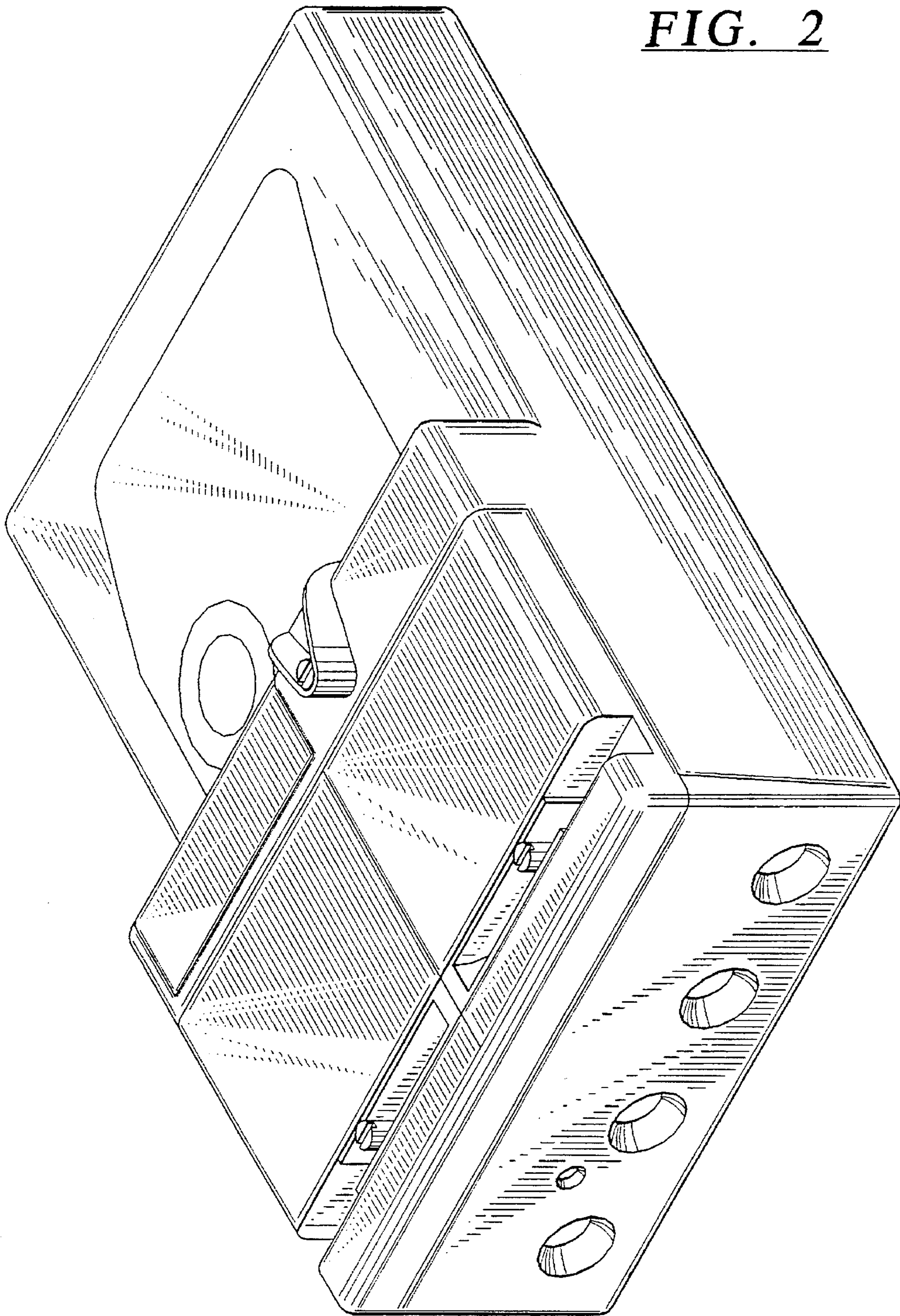


FIG. 3

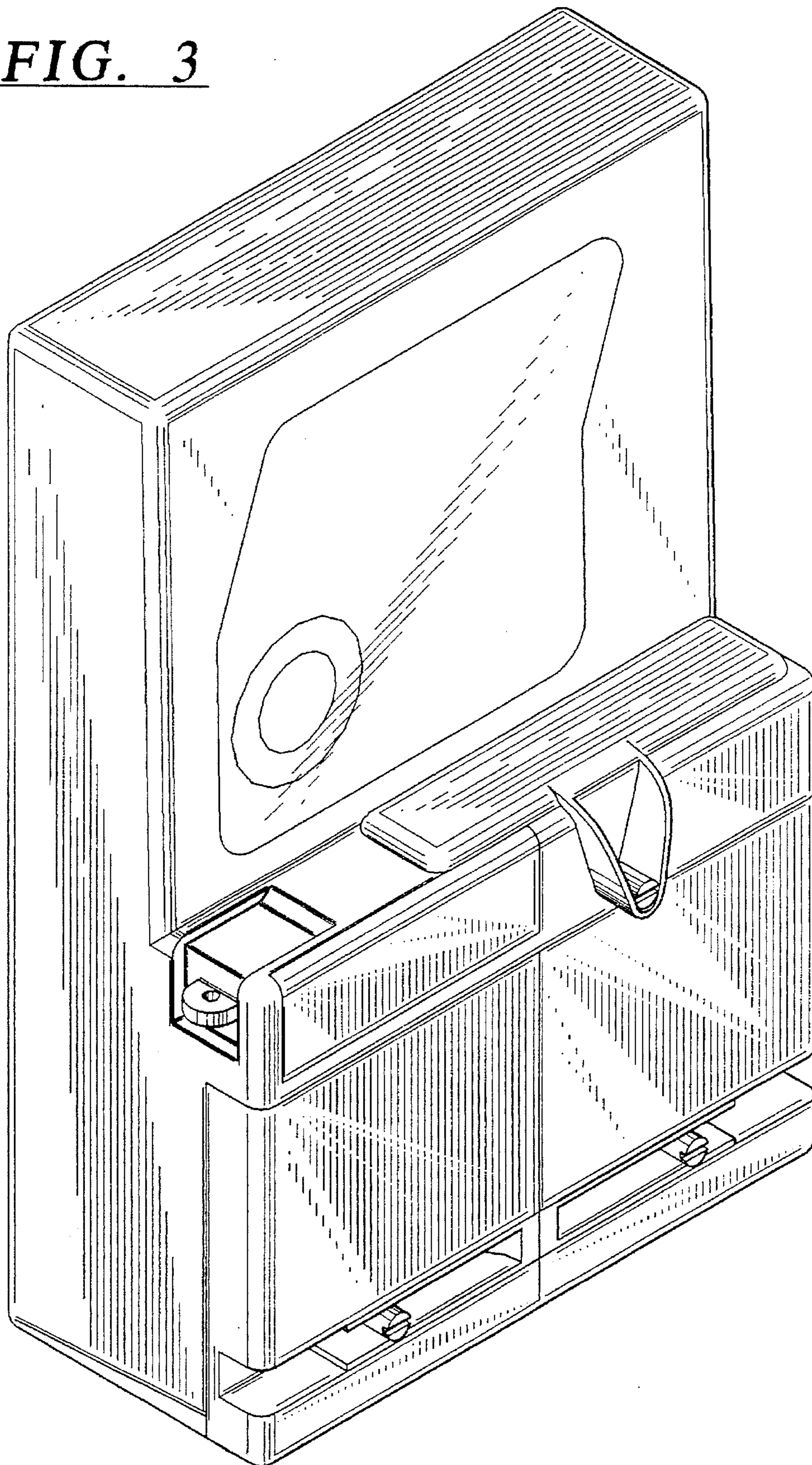


FIG. 4

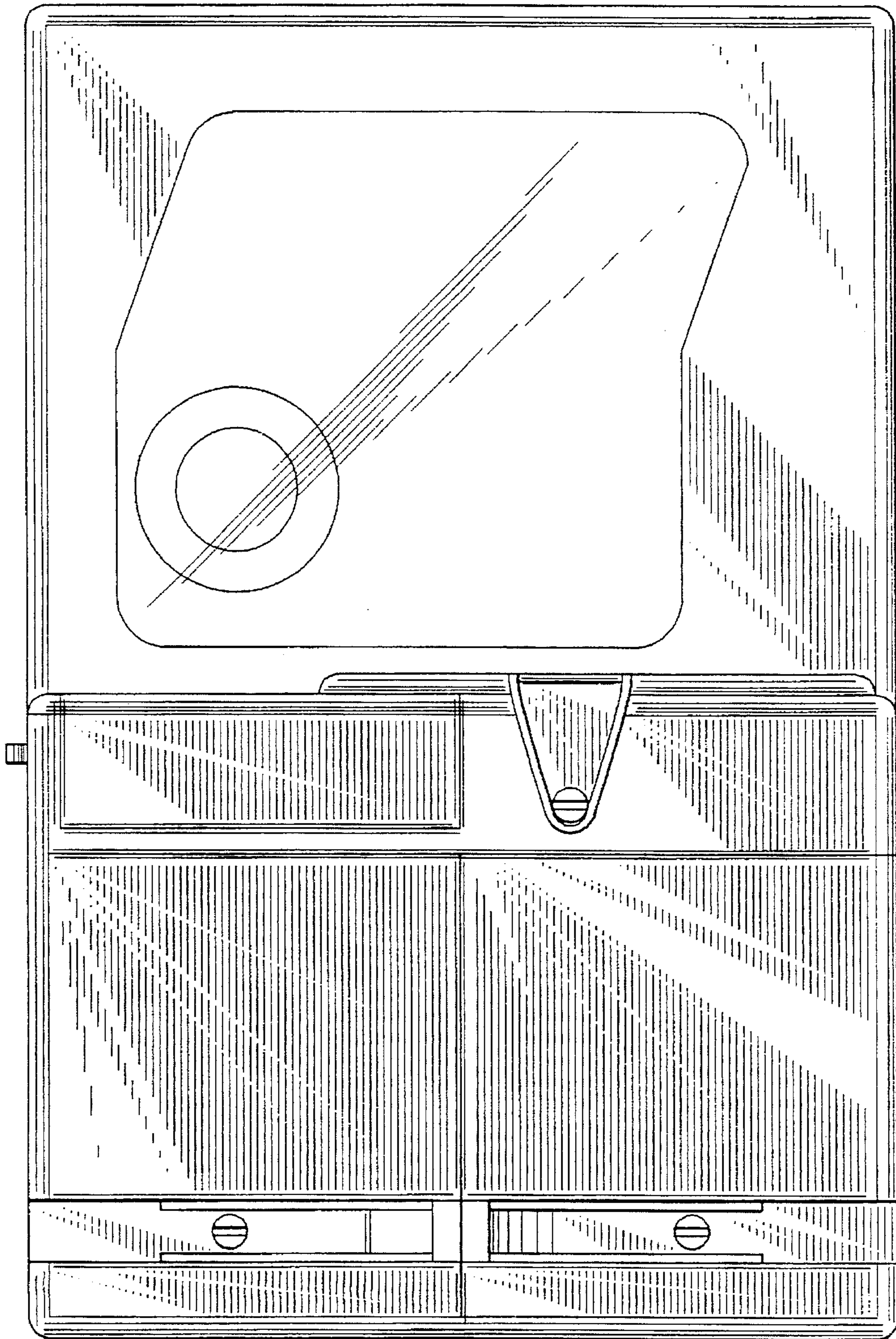


FIG. 5

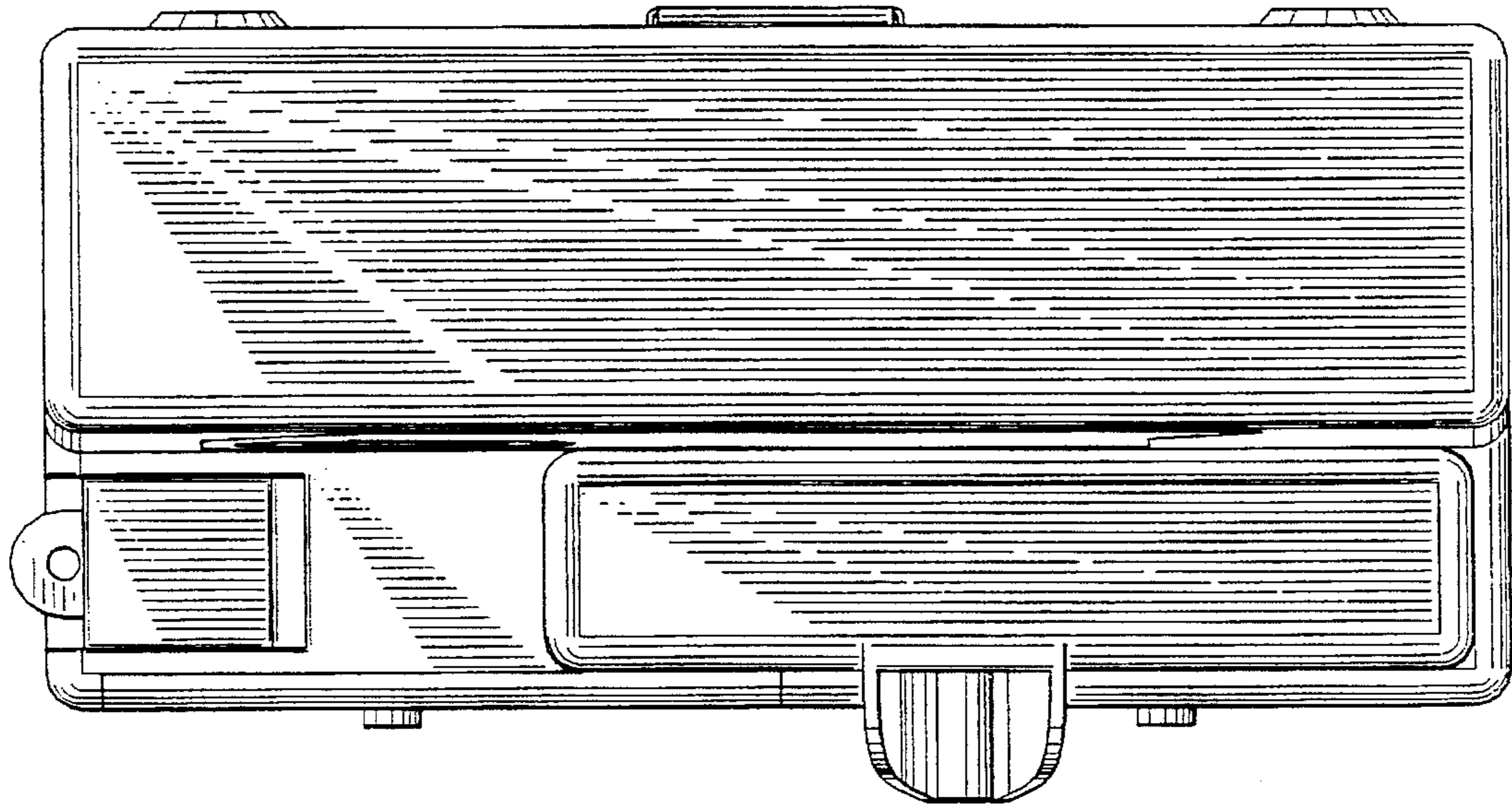


FIG. 6

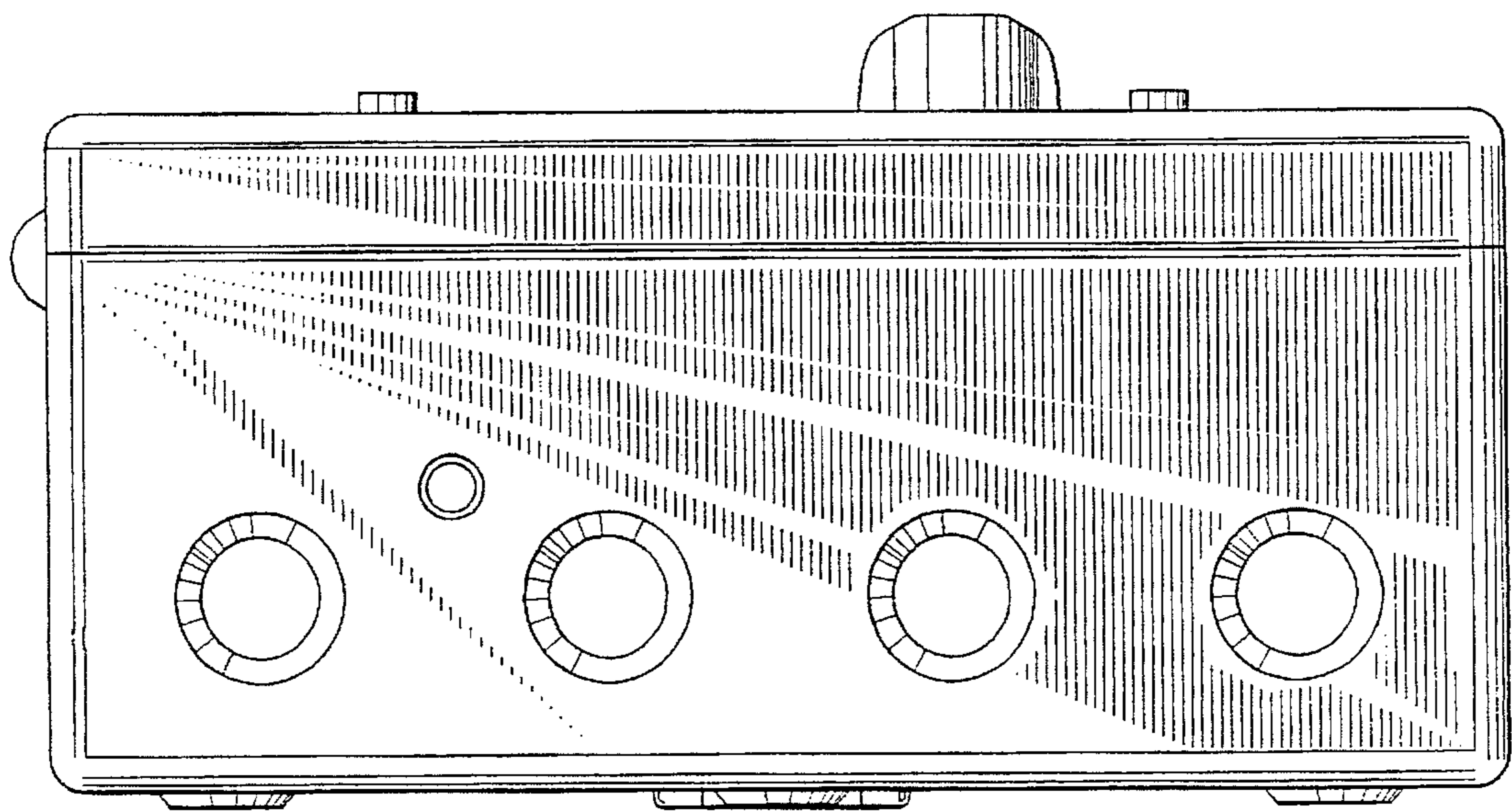


FIG. 7

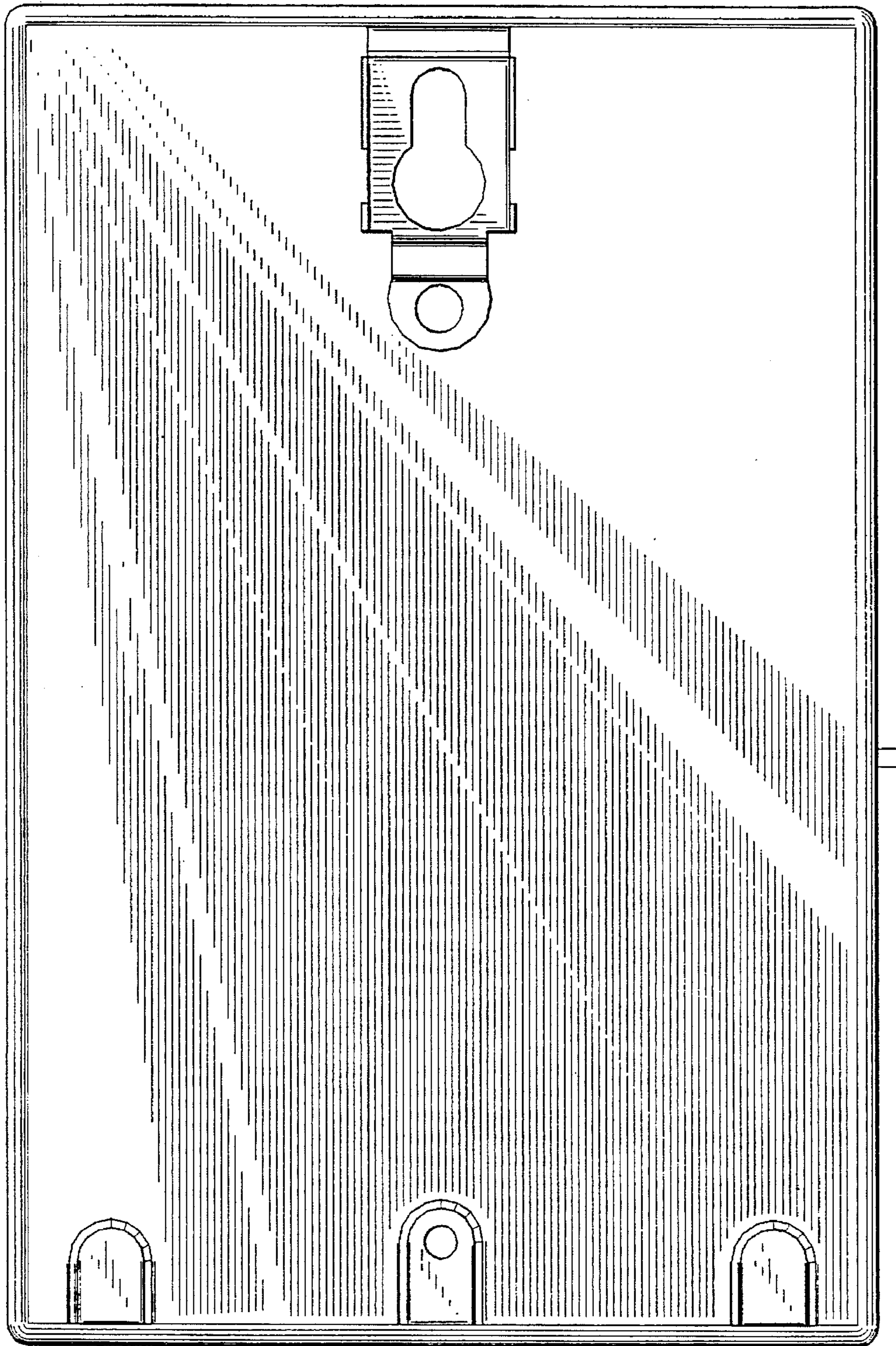


FIG. 8

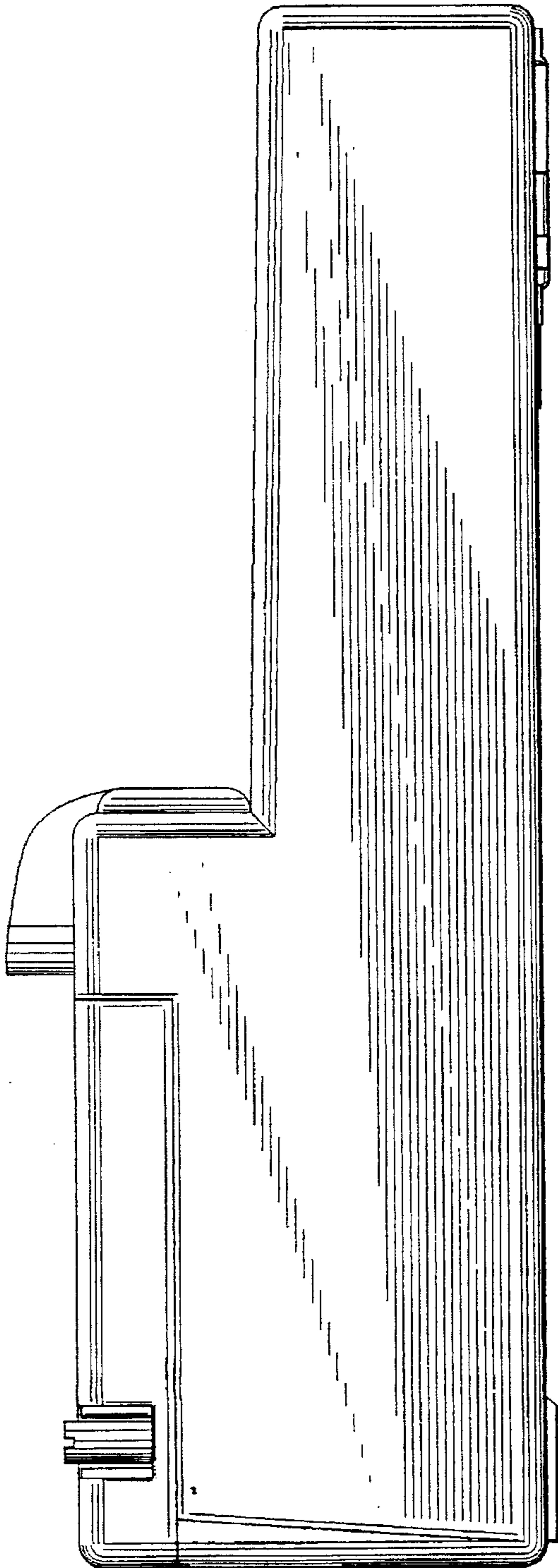


FIG. 9

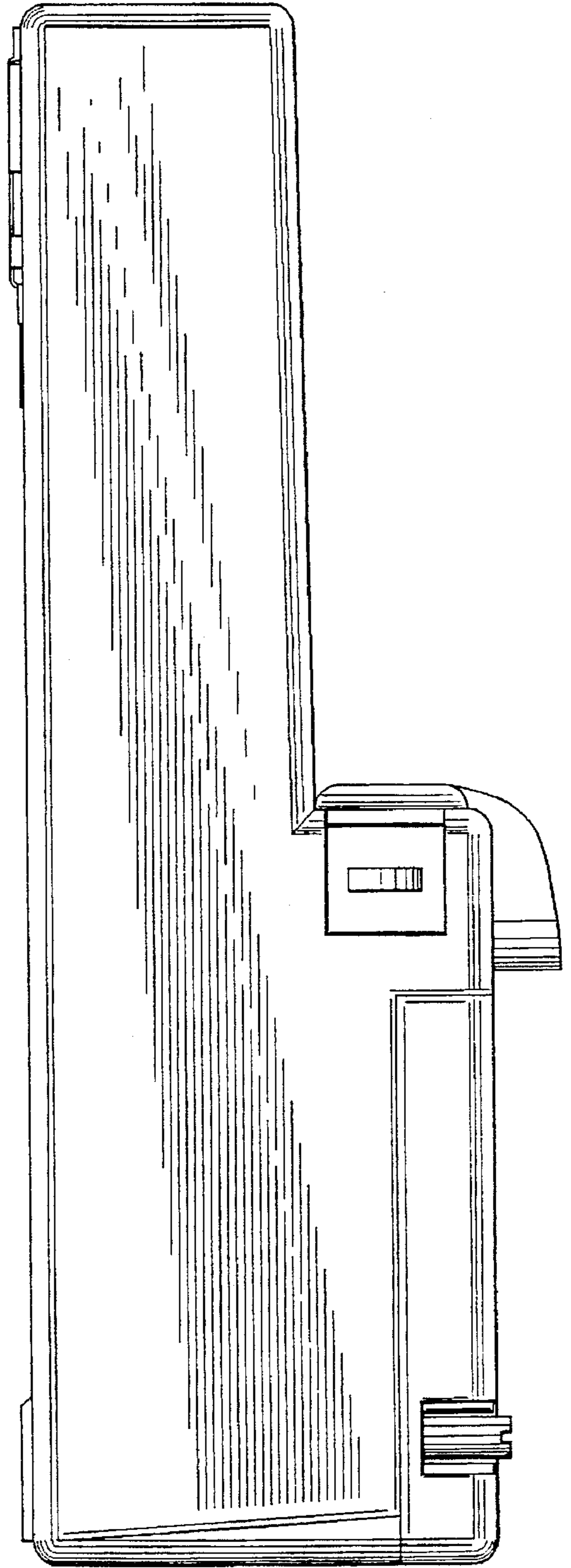




FIG. 10

