



US00D382492S

United States Patent [19]
Houlihan

[11] **Patent Number: Des. 382,492**
[45] **Date of Patent: **Aug. 19, 1997**

[54] **CASING FOR A DIGITAL WATCH**

OTHER PUBLICATIONS

[75] **Inventor: John T. Houlihan**, Southbury, Conn.
[73] **Assignee: Timex Corporation**, Middlebury, Conn.
[**] **Term: 14 Years**

Timex 1991 Catalog, p. 27.
Timex 1992 Catalog, p. 25.
Timex 1993 Catalog, pp. 24 & 25.
Timex 1994 Catalog, pp. 26 & 27.
Timex 1995 Catalog, pp. 36, 37, 38, 39.
Timex "Split Second" Sports Catalog, pp. 11, 12, 13, 14, 15
Timex 1995 Supplement.
Timex 1996 Catalog, pp. 32, 33, 34, 35, 36, 40.

[21] **Appl. No.: 56,468**

[22] **Filed: Jul. 1, 1996**

[51] **LOC (6) Cl. 10-02**

[52] **U.S. Cl. D10/30; D10/38**

[58] **Field of Search D10/1-40, 122-132;
368/280-282, 276-277, 285**

Primary Examiner—Nelson C. Holtje
Attorney, Agent, or Firm—Paul R. Junesz

[57] **CLAIM**

The ornamental design for a casing for a digital watch, as shown and described.

[56] **References Cited**

U.S. PATENT DOCUMENTS

D. 287,341	12/1986	Grimes .	
D. 295,729	5/1988	Suzuki	D10/39
D. 331,707	12/1992	Iwata	D10/39
D. 338,160	8/1993	Houlihan .	
D. 353,105	12/1994	Houlihan	D10/30
D. 357,635	4/1995	Riley	D10/38 X
D. 360,369	7/1995	Wong	D10/38
D. 360,587	7/1995	Houlihan	D10/30
D. 360,589	7/1995	Houlihan	D10/30
D. 361,041	8/1995	Houlihan	D10/30
D. 361,274	8/1995	Houlihan	D10/30
3,871,170	3/1975	Bergey .	

DESCRIPTION

FIG. 1 is a perspective elevational view of a casing for a digital watch;
FIG. 2 is a left side elevational view thereof;
FIG. 3 is a top plan view thereof;
FIG. 4 is a right side elevational view thereof;
FIG. 5 is an end elevational view thereof;
FIG. 6 is the other end elevational view thereof; and,
FIG. 7 is a bottom plan view thereof.

1 Claim, 2 Drawing Sheets

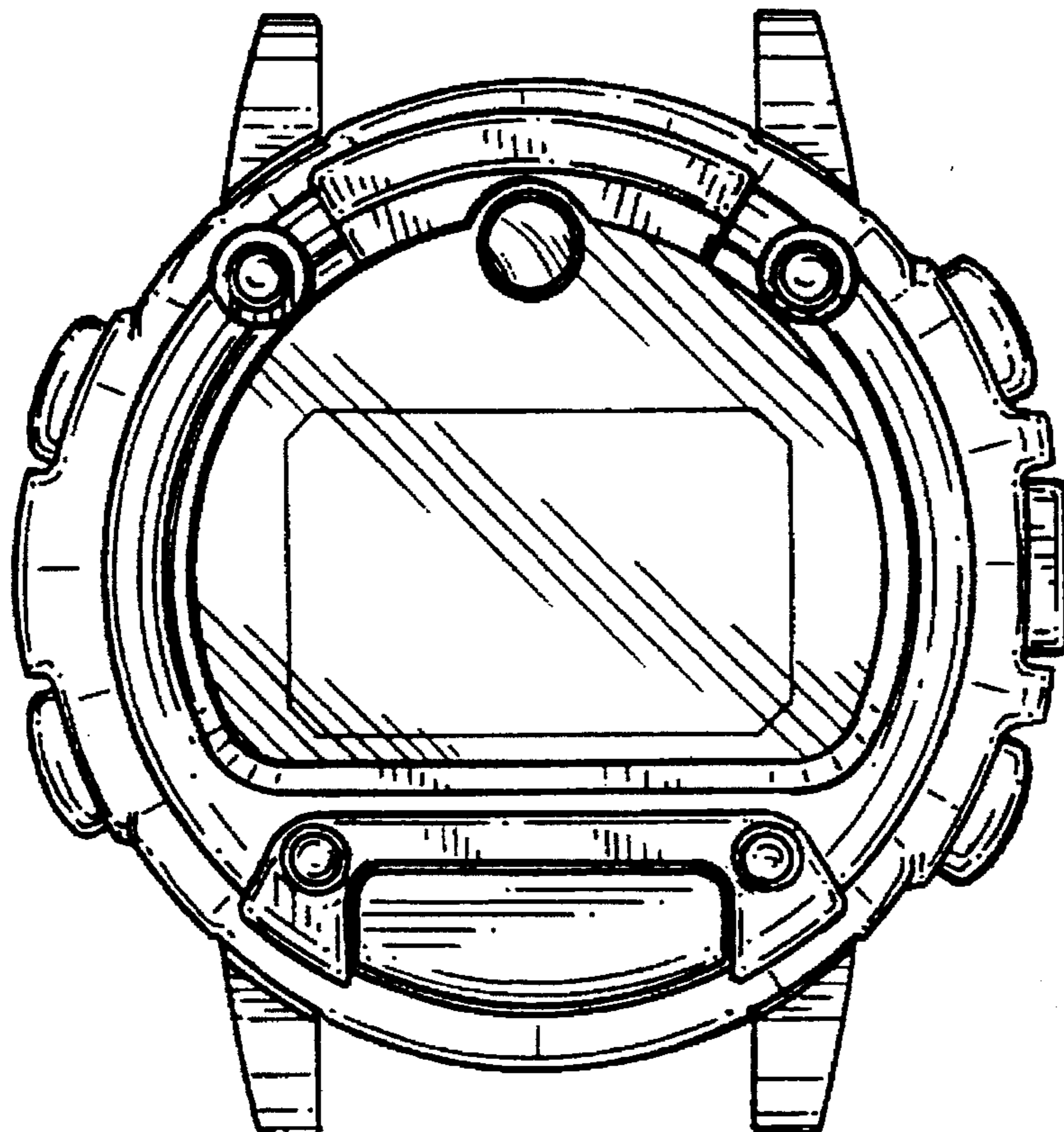


FIG. 1

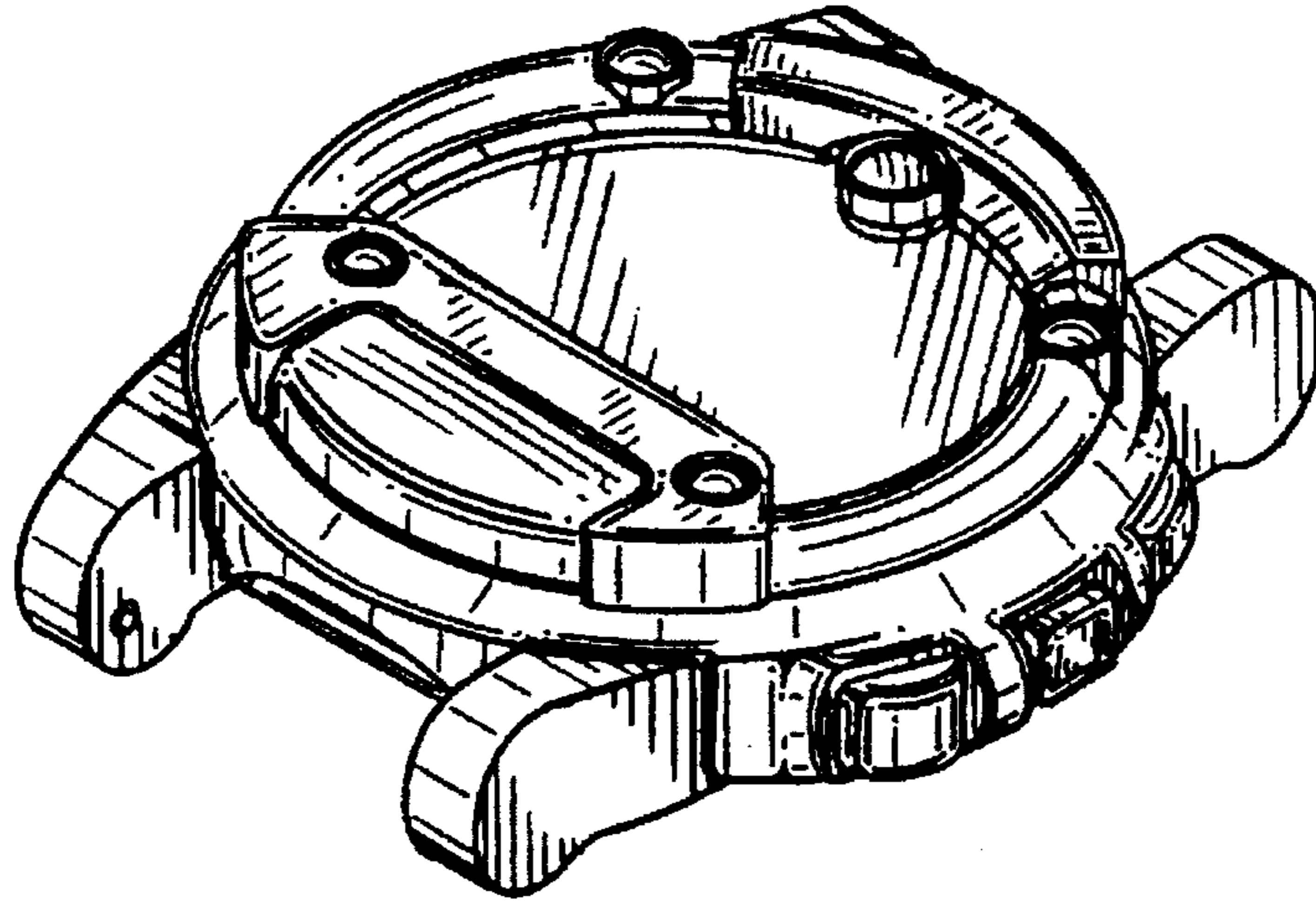


FIG. 7

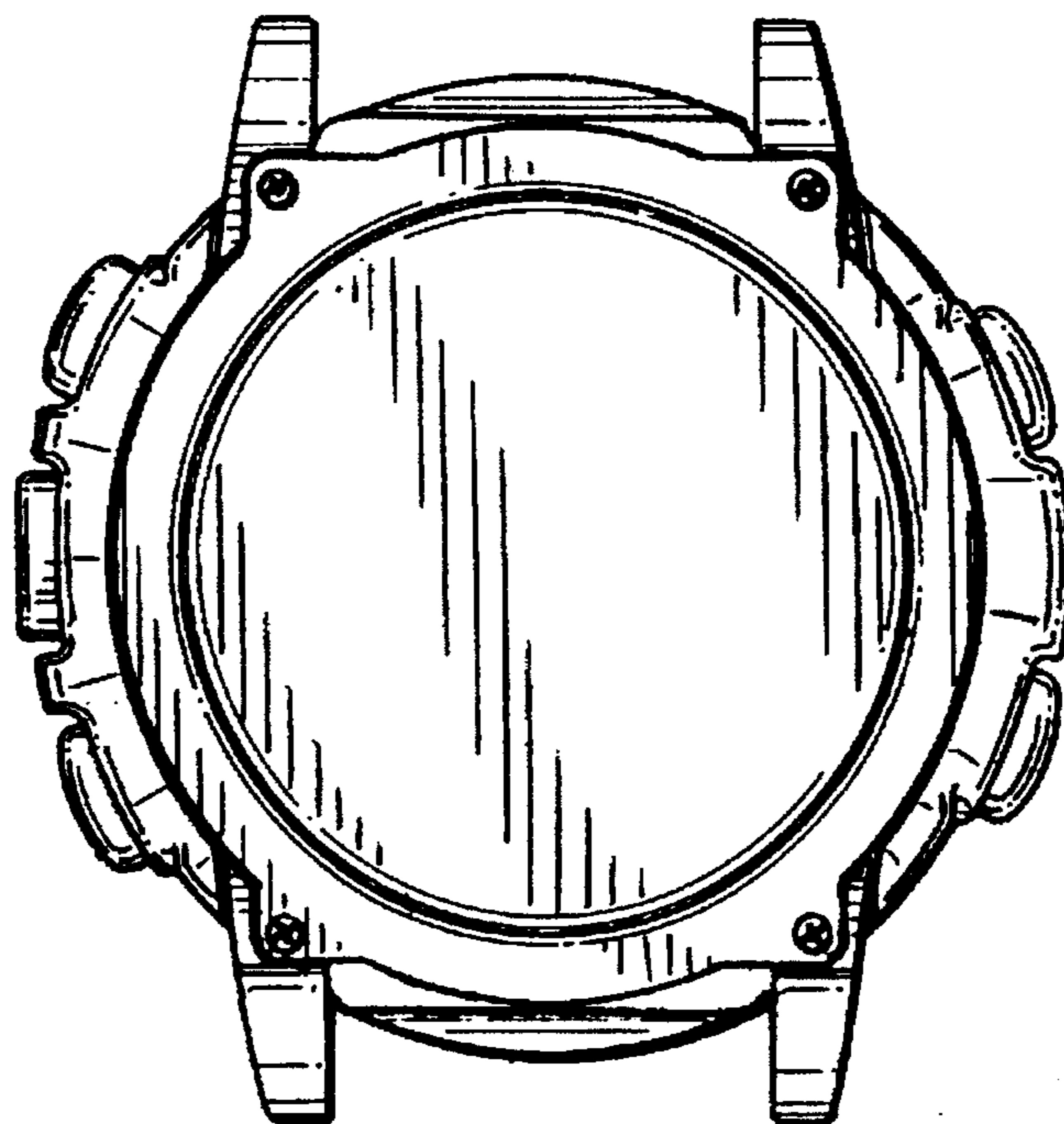


FIG. 2

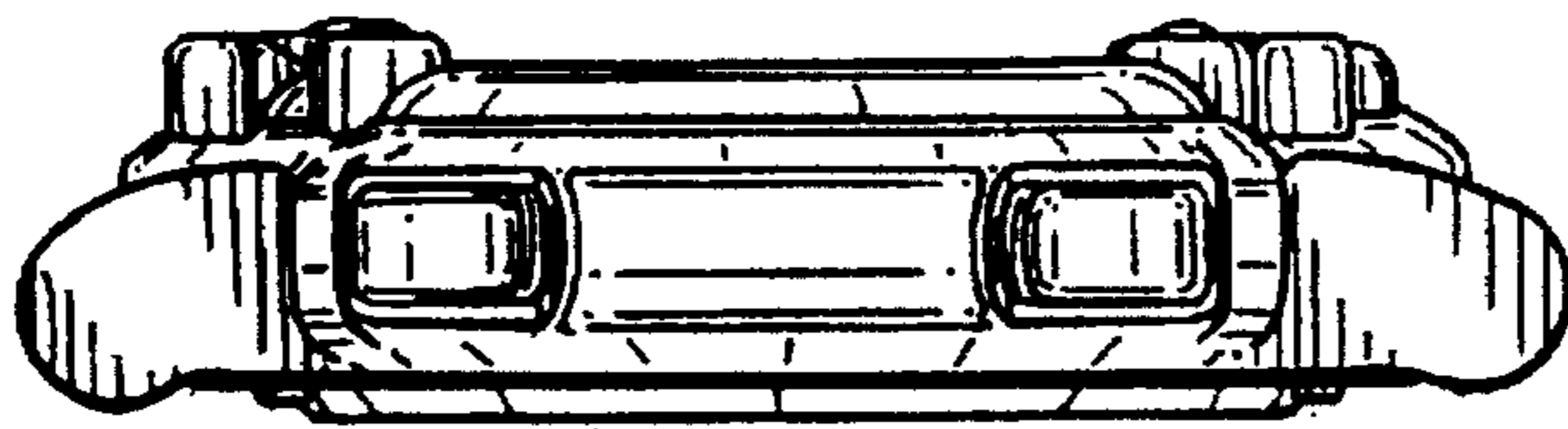


FIG. 3

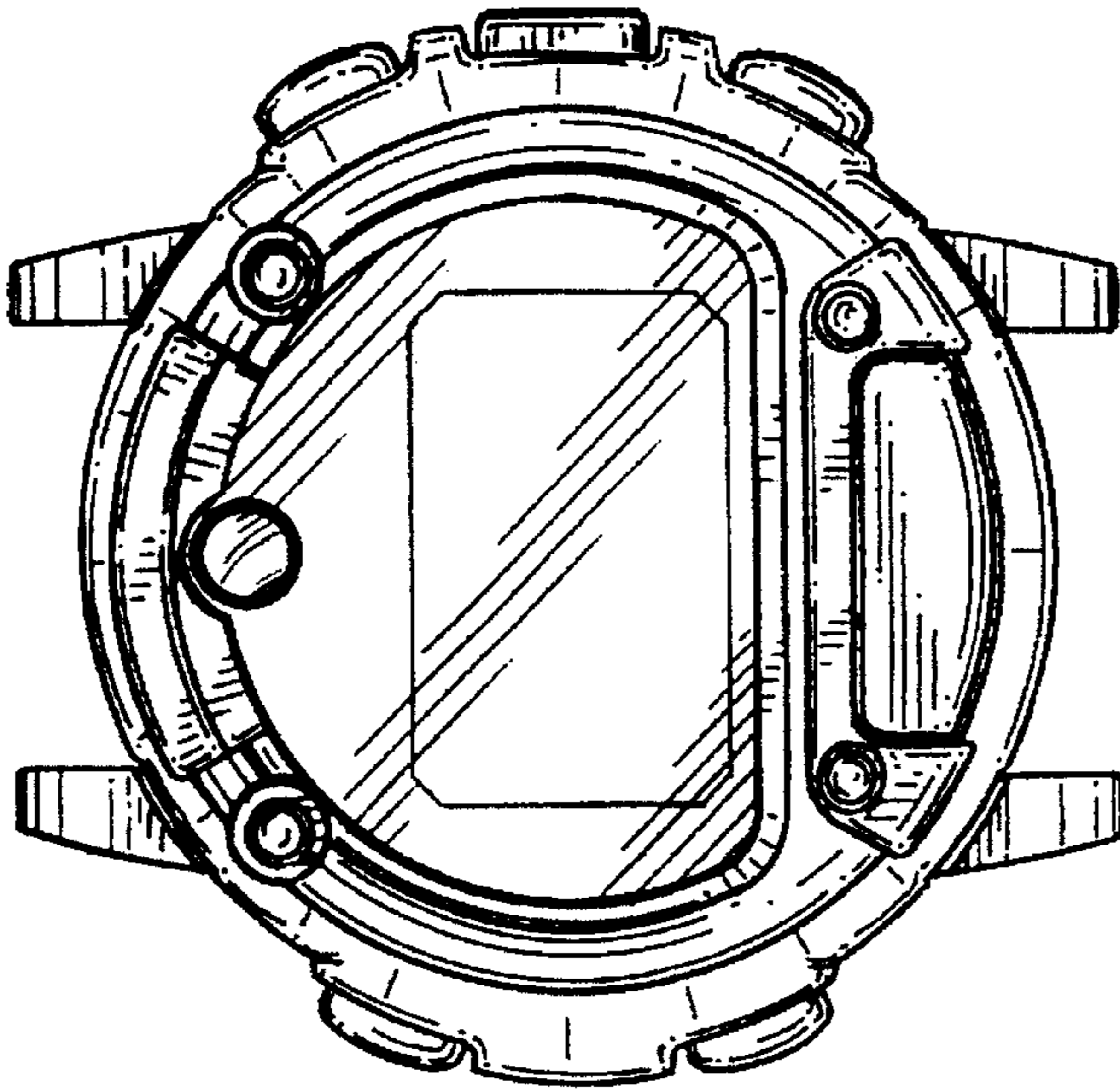


FIG. 4

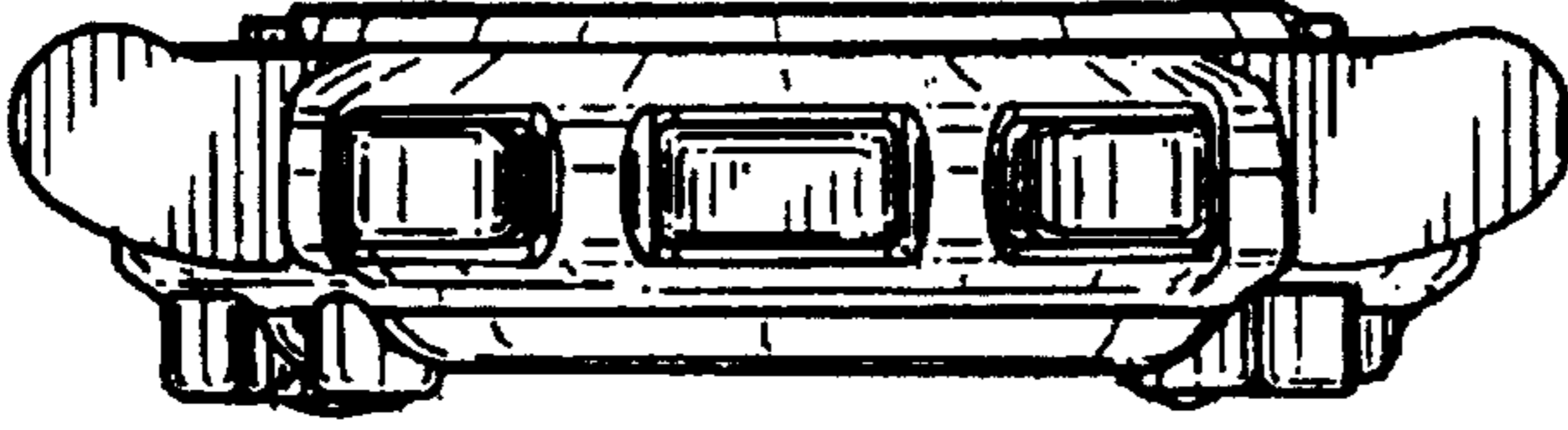


FIG. 5

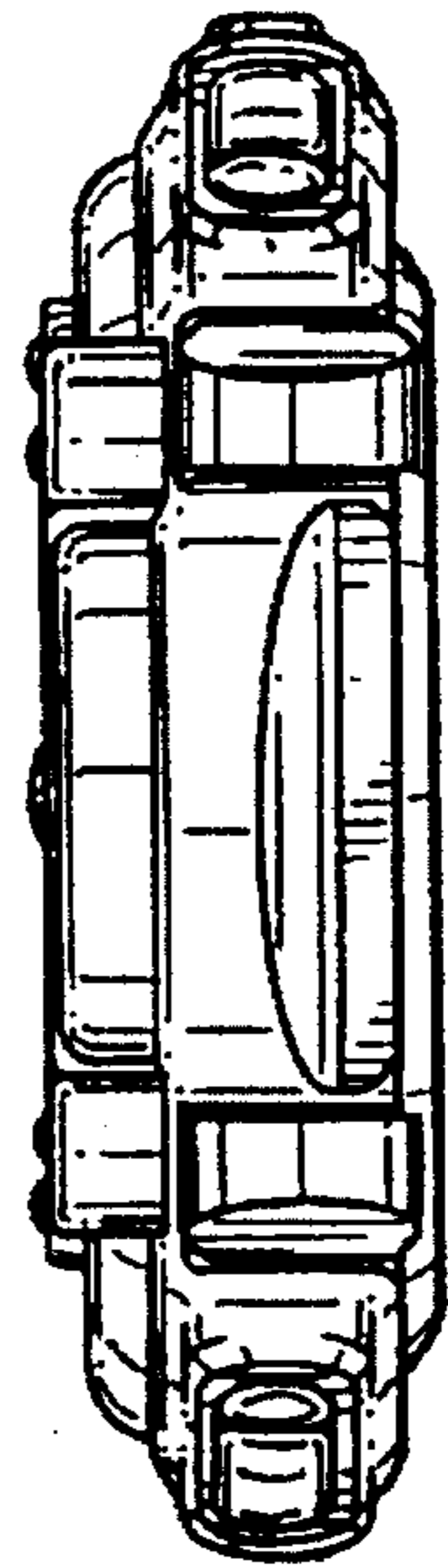


FIG. 6

