



US00D382486S

United States Patent [19]
Heinz

[11] **Patent Number: Des. 382,486**

[45] **Date of Patent: **Aug. 19, 1997**

[54] **COMBINED BOTTLE AND STOPPER**

[75] **Inventor: Carl Aug. Heinz, Tettau-Ofr., Germany**

[73] **Assignee: Carl Aug. Heinz Glashüttenwerke GmbH & Co. KG, Tettau/Ofr., Germany**

[**] **Term: 14 Years**

[21] **Appl. No.: 40,015**

[22] **Filed: Jun. 8, 1995**

Related U.S. Application Data

[62] **Division of Ser. No. 11,148, Jul. 28, 1993, Pat. No. Des. 369,553.**

[51] **LOC (6) Cl. 09-01**

[52] **U.S. Cl. D9/546; D9/449**

[58] **Field of Search D9/546, 559, 566, D9/439, 544; 215/382**

[56] **References Cited**

U.S. PATENT DOCUMENTS

D. 43,781	4/1913	Sanford	D9/546
D. 81,602	7/1930	Teague	D9/559
D. 90,047	5/1933	Popp	D9/566
D. 271,282	11/1983	Thrush	D9/546
D. 277,455	2/1985	Tordjman	D9/546
D. 289,142	4/1987	Bijaoui	D9/546
D. 328,247	7/1992	Robineau	D9/544

Primary Examiner—Lucy Lieberman
Attorney, Agent, or Firm—Smith-Hill and Bedell

[57] **CLAIM**

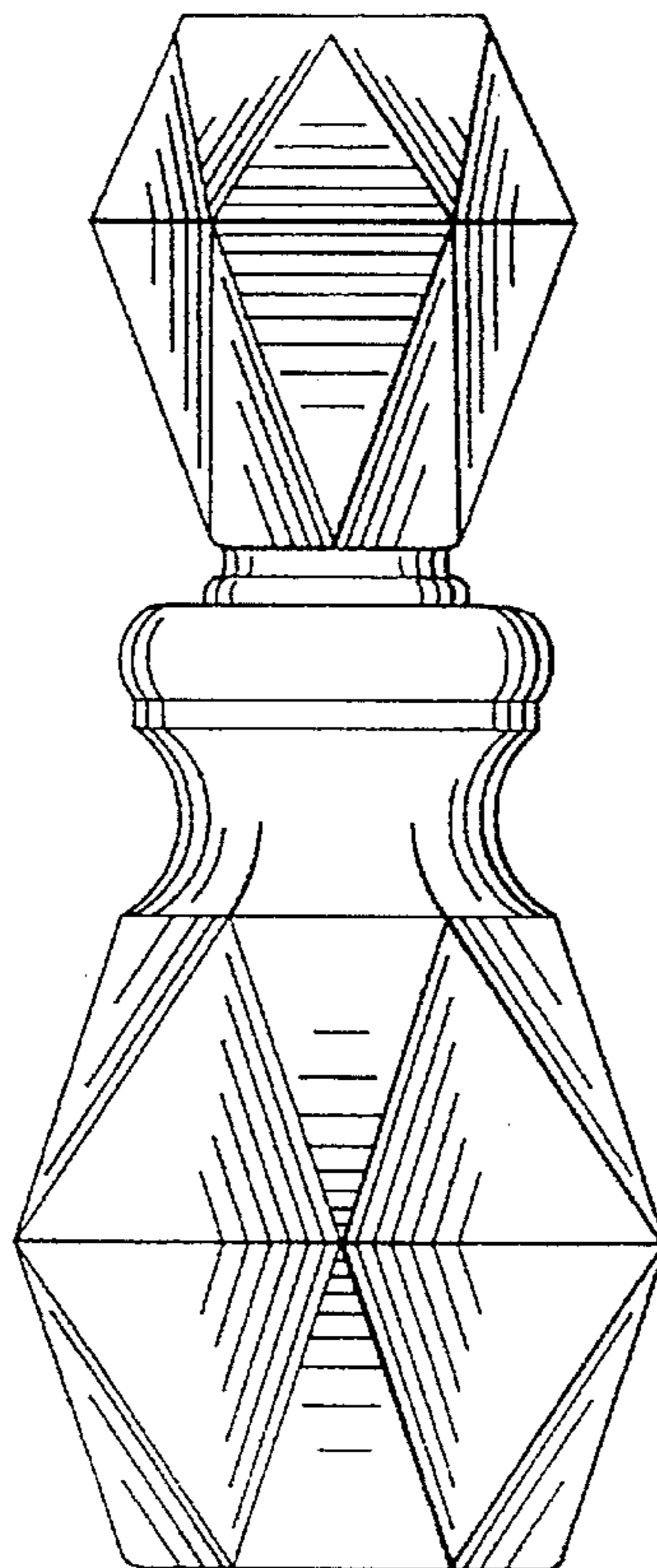
The ornamental design for a combined bottle and stopper, as shown and described.

DESCRIPTION

FIG. 1 is a front elevation of a combined bottle and stopper showing my new design, the rear elevation is the same; FIG. 2 is a left side elevation thereof, the right side elevation is the same; FIG. 3 is a top plan view of the bottle shown alone for clarity of illustration; FIG. 4 is a bottom plan view thereof; FIG. 5 is a front elevation of the stopper shown alone for clarity of illustration, the rear elevation is the same; FIG. 6 is a side elevation of FIG. 5, the opposite side elevation is the same; FIG. 7 is a top plan view of FIG. 5; FIG. 8 is a bottom plan view of FIG. 5; FIG. 9 is a front elevation of a second embodiment of the combined bottle and stopper, the rear elevation is the same; FIG. 10 is a left side elevation of FIG. 9, the right side elevation is the same; FIG. 11 is a top plan view of the bottle of FIG. 9 shown without the stopper for clarity of illustration; and, FIG. 12 is a bottom plan view of FIG. 9.

The stopper is shown separately in FIGS. 5-8 for clarity of illustration only.

1 Claim, 3 Drawing Sheets



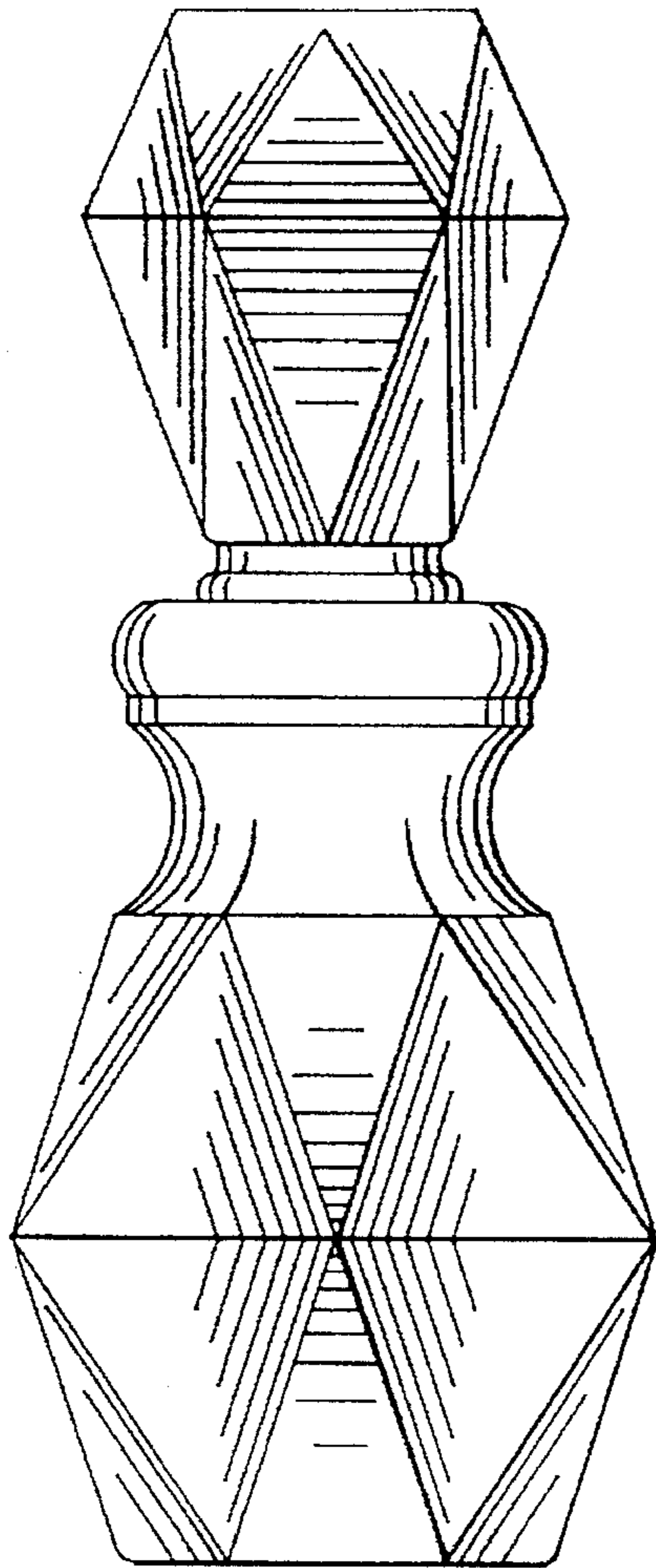


FIG. 1

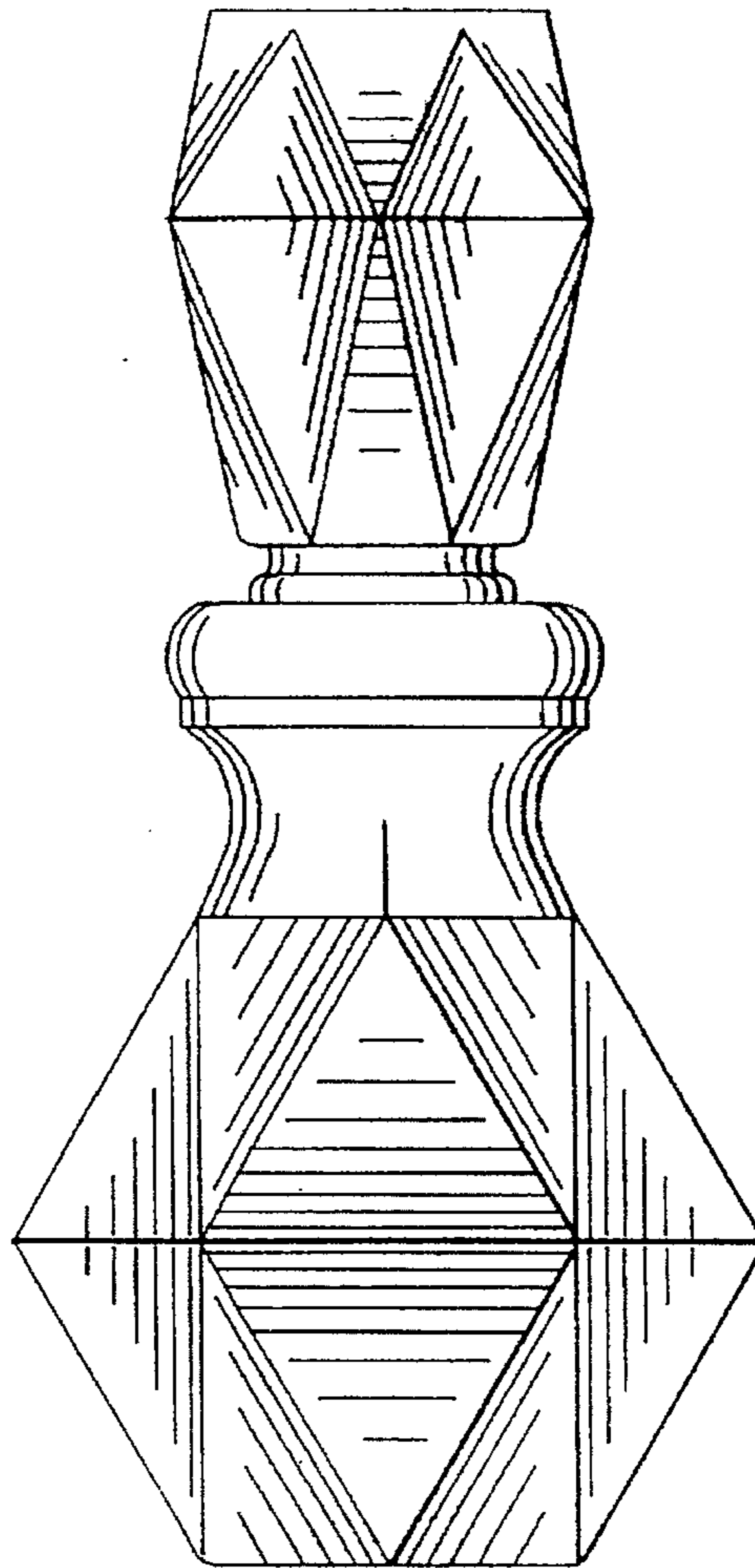


FIG. 2

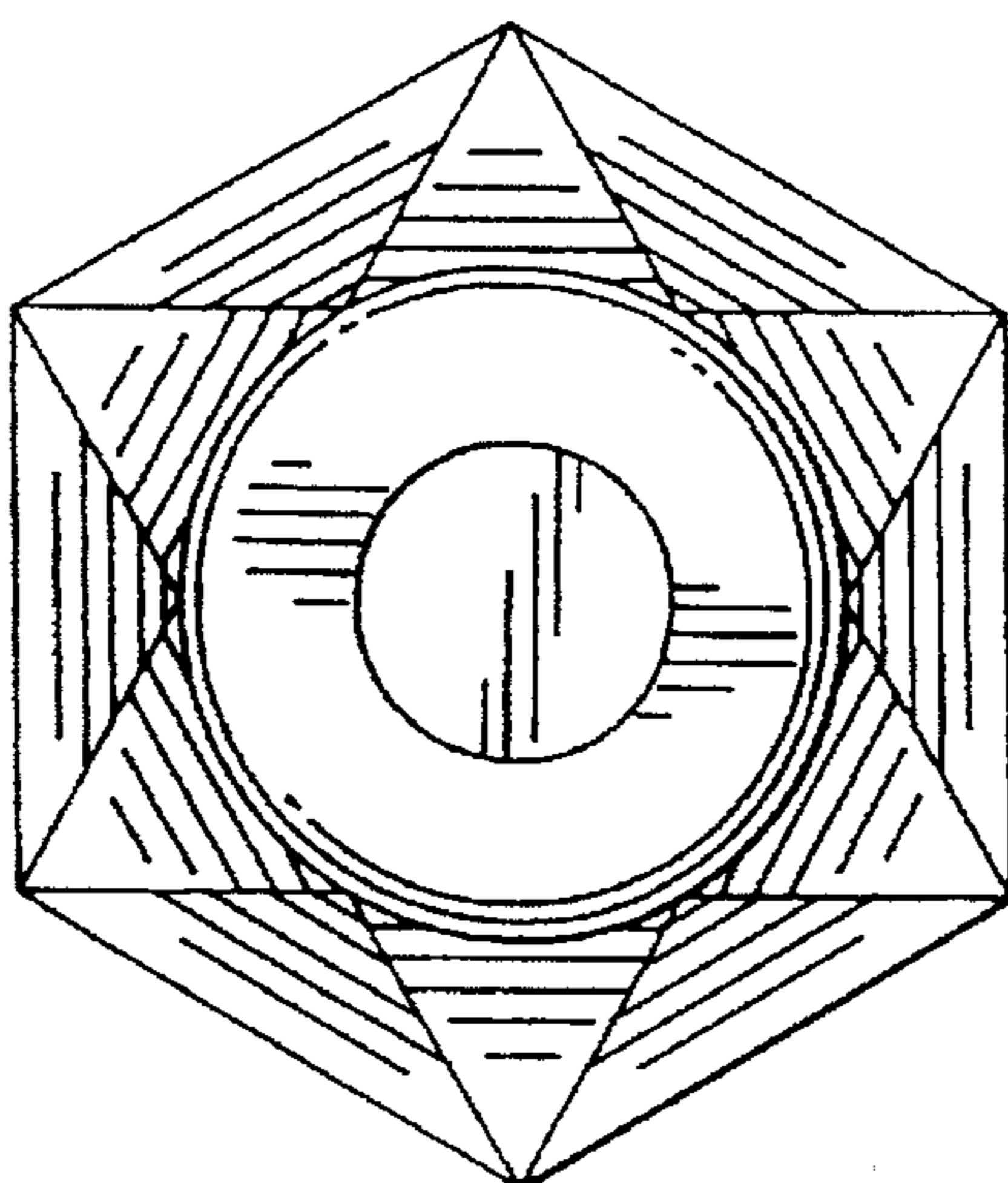


FIG. 3

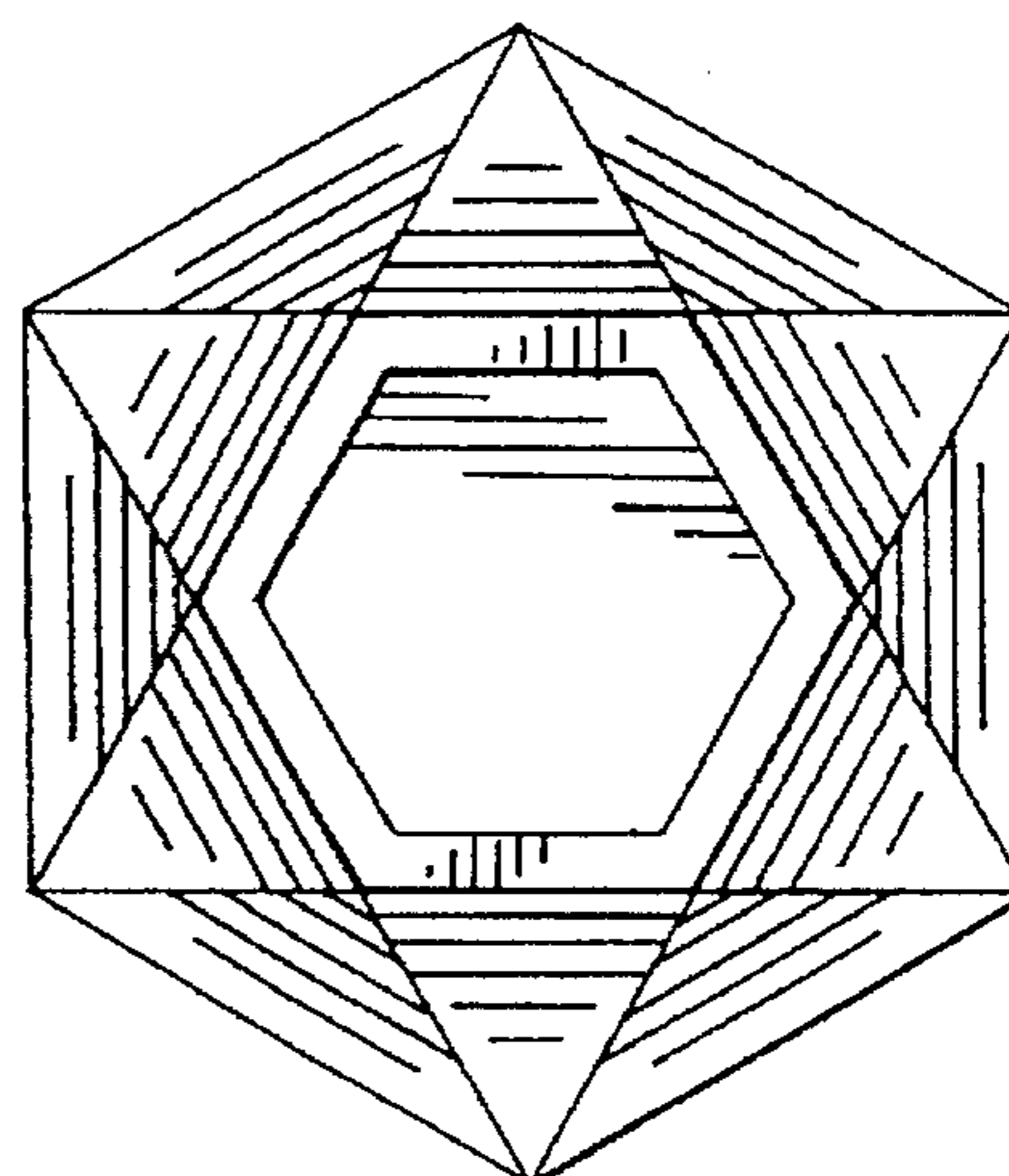


FIG. 4

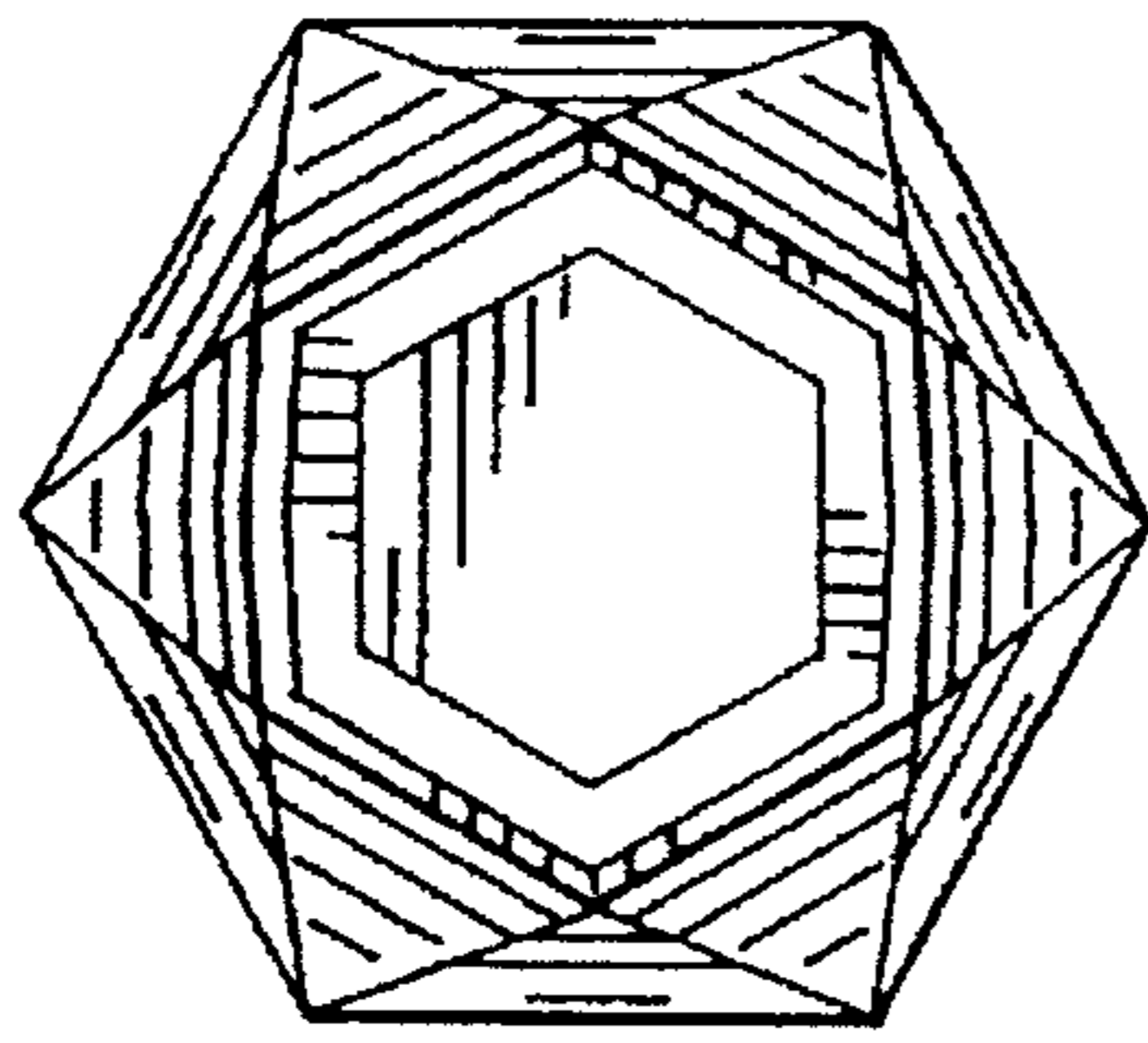


FIG. 7

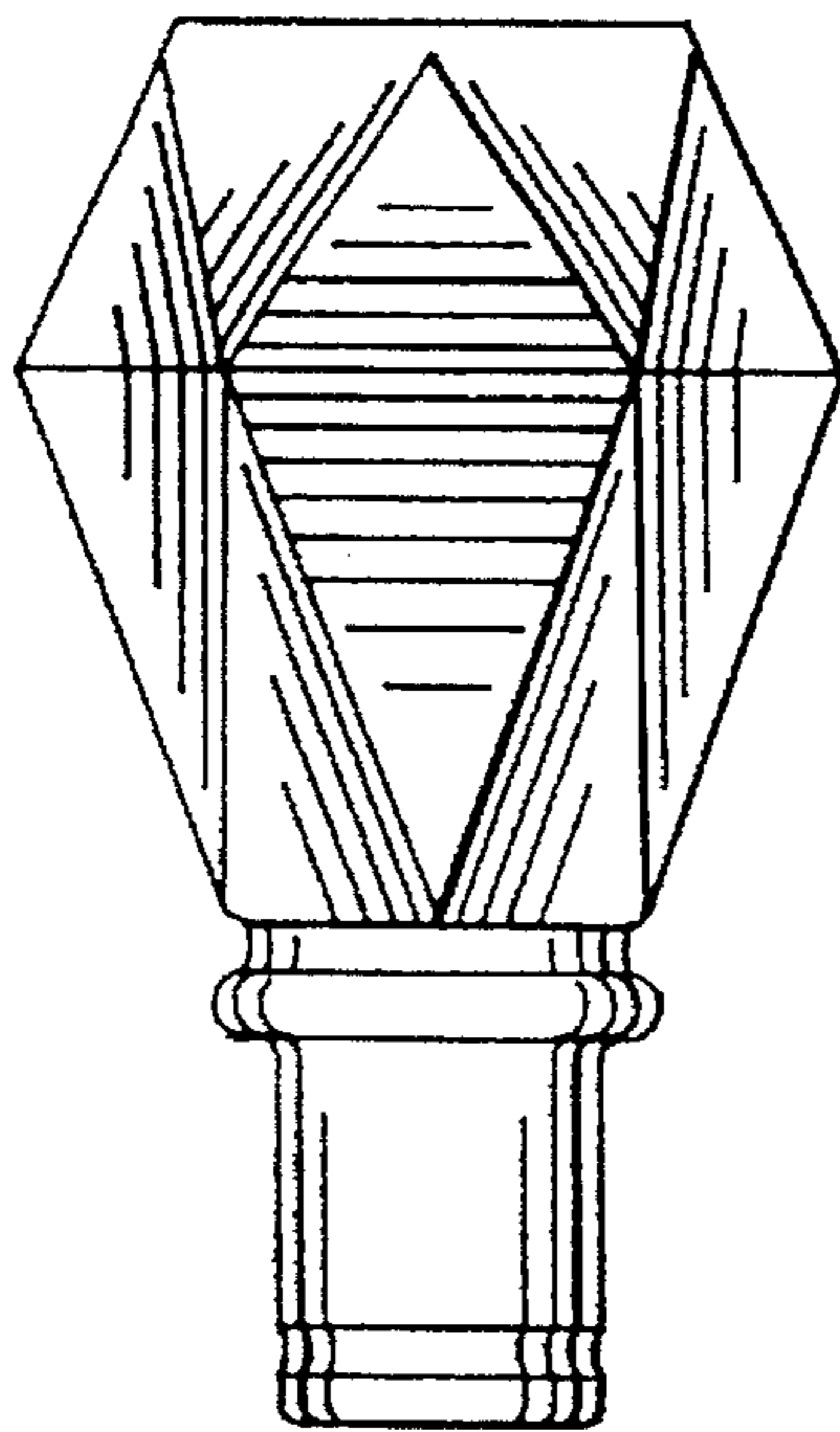


FIG. 5

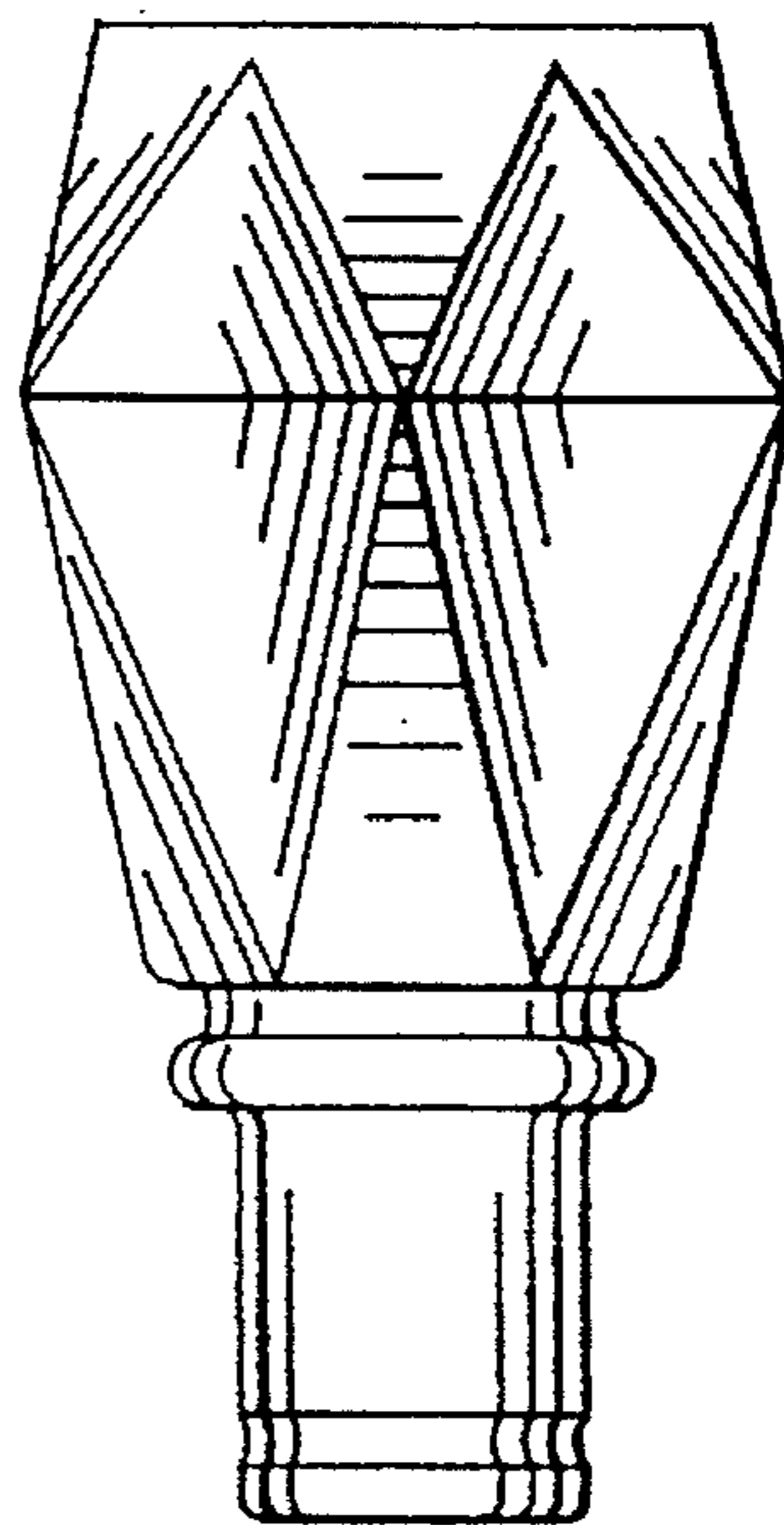


FIG. 6

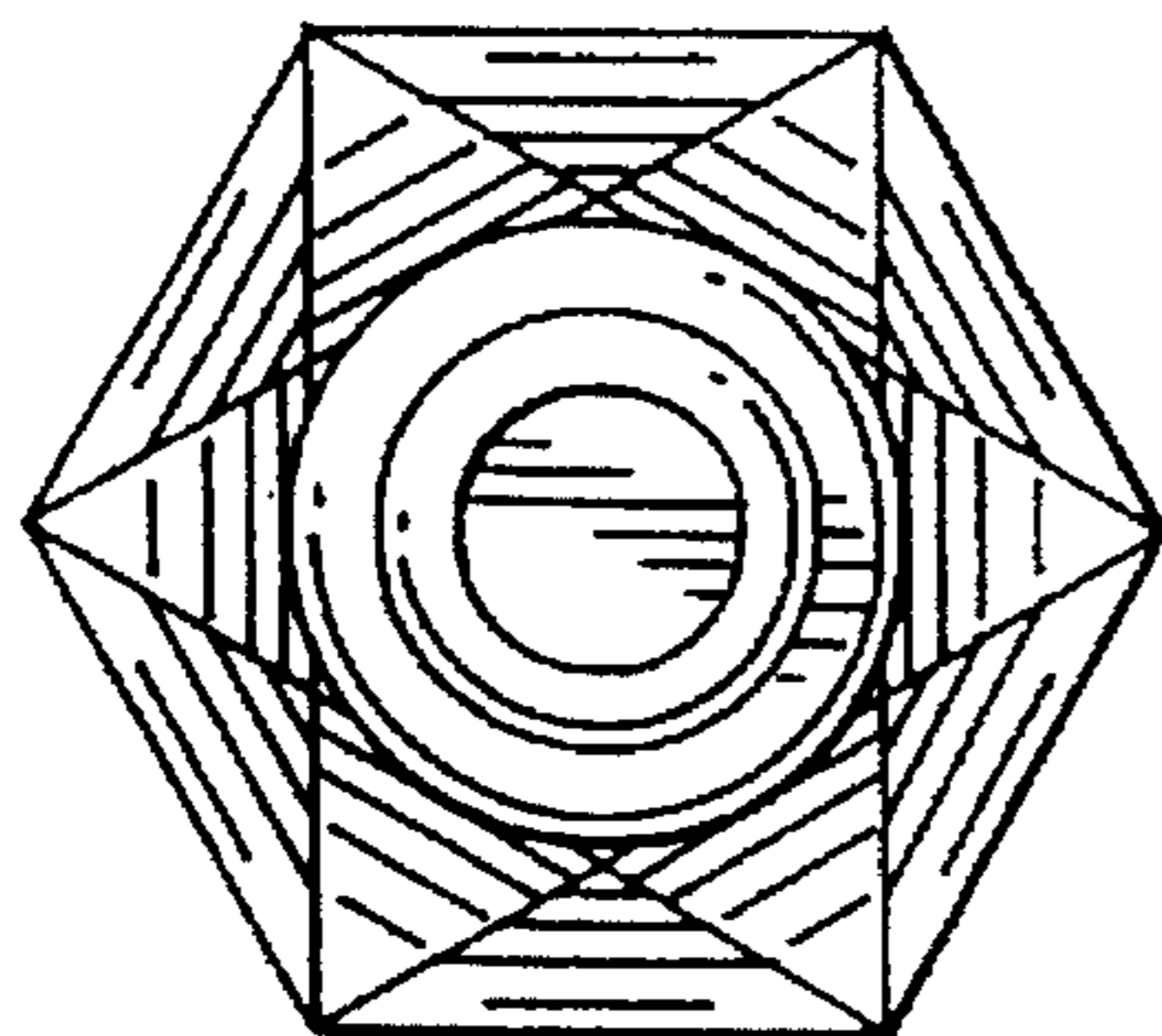


FIG. 8

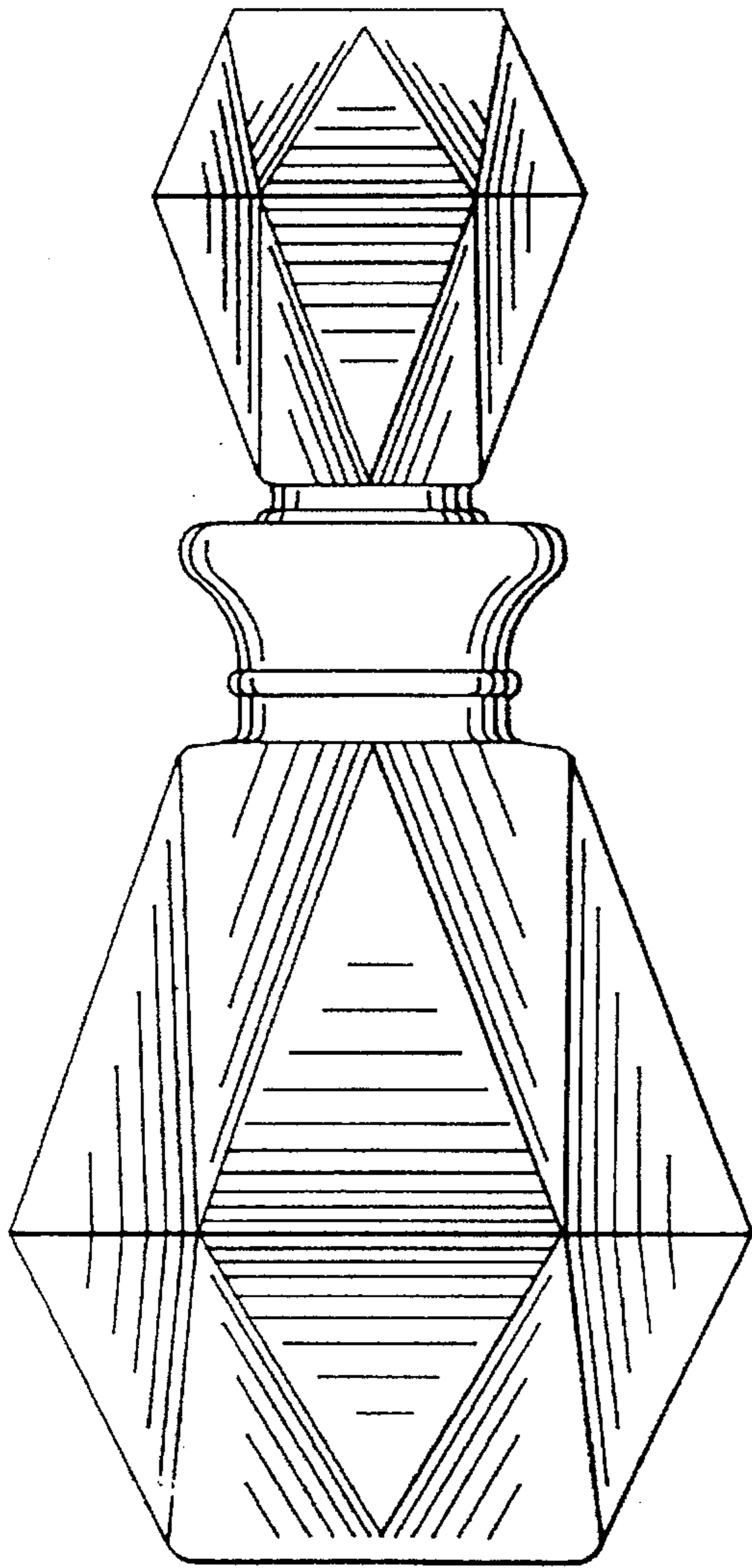


FIG. 9

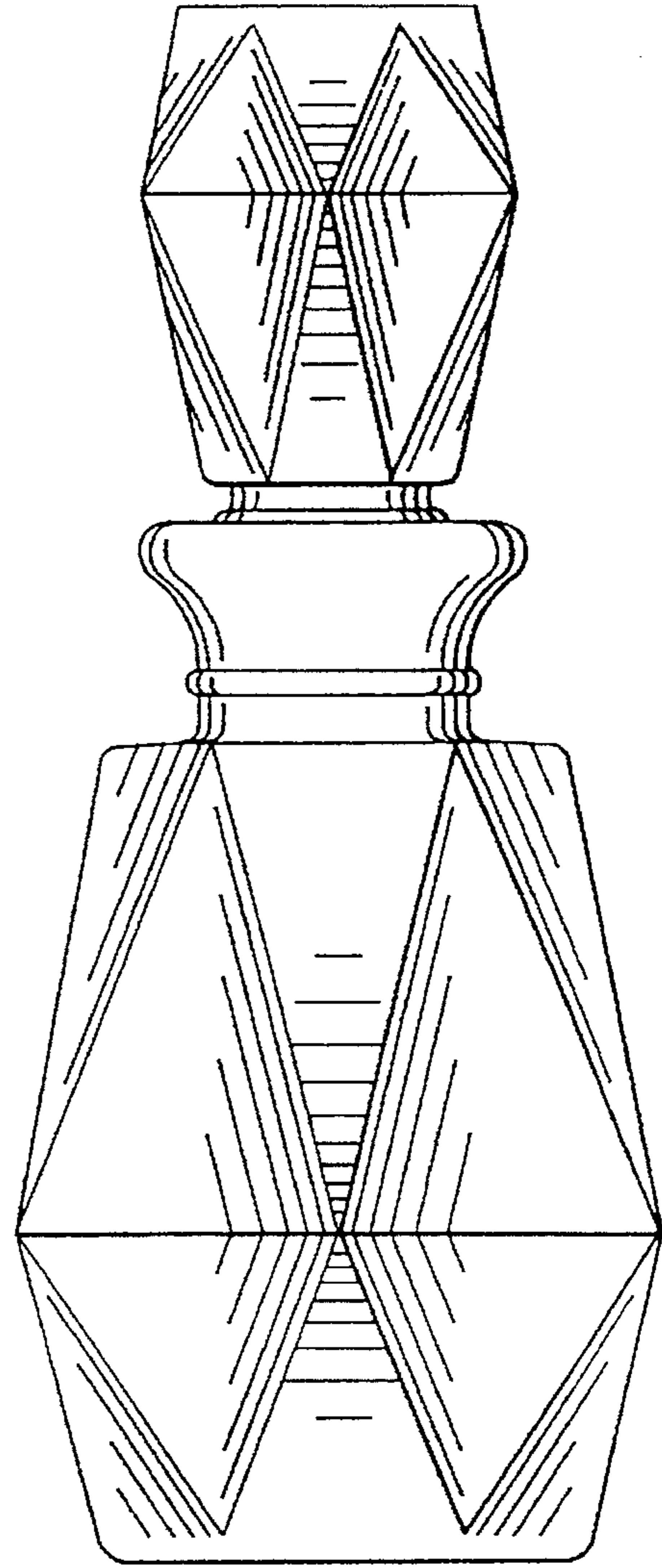


FIG. 10

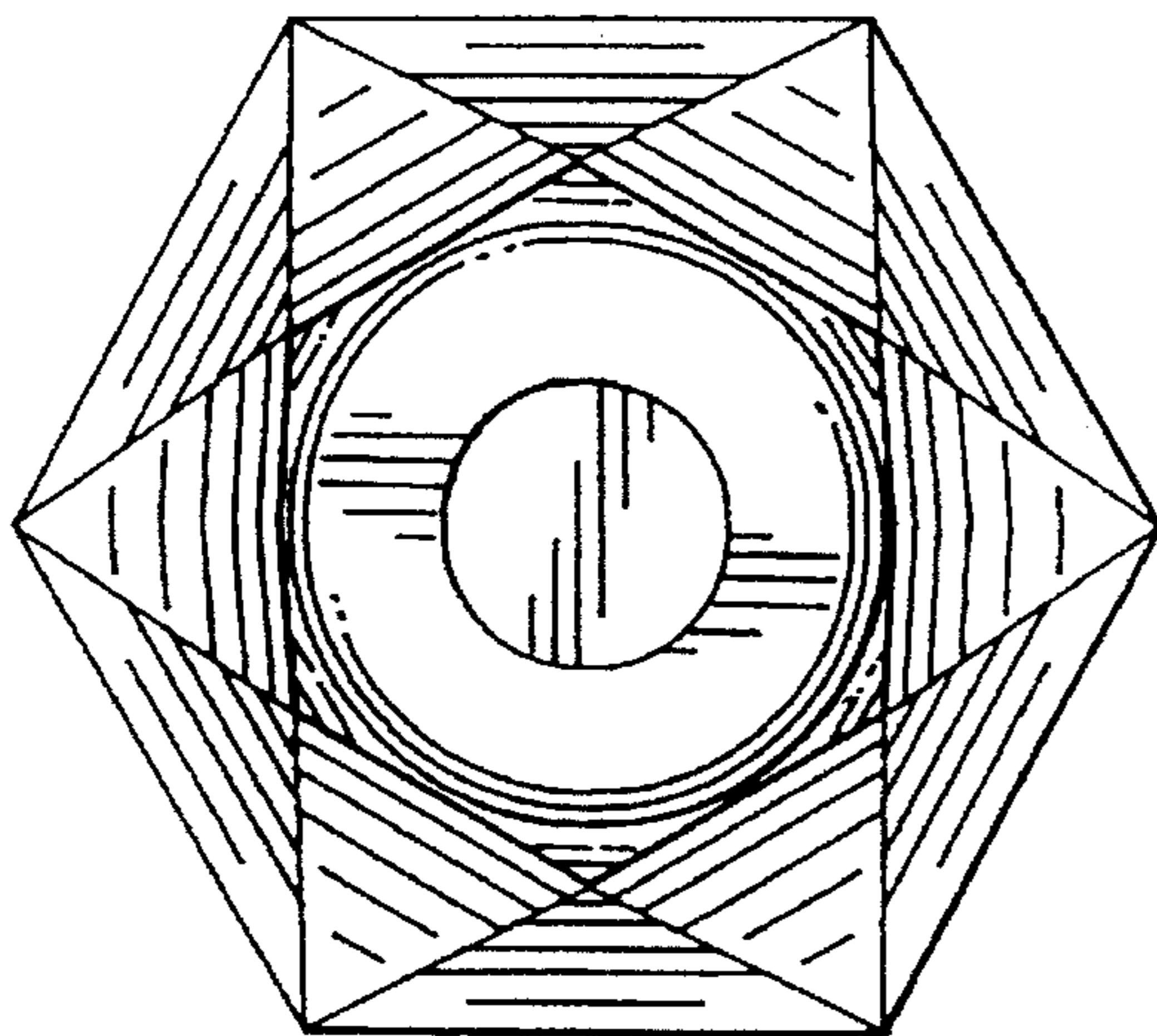


FIG. 11

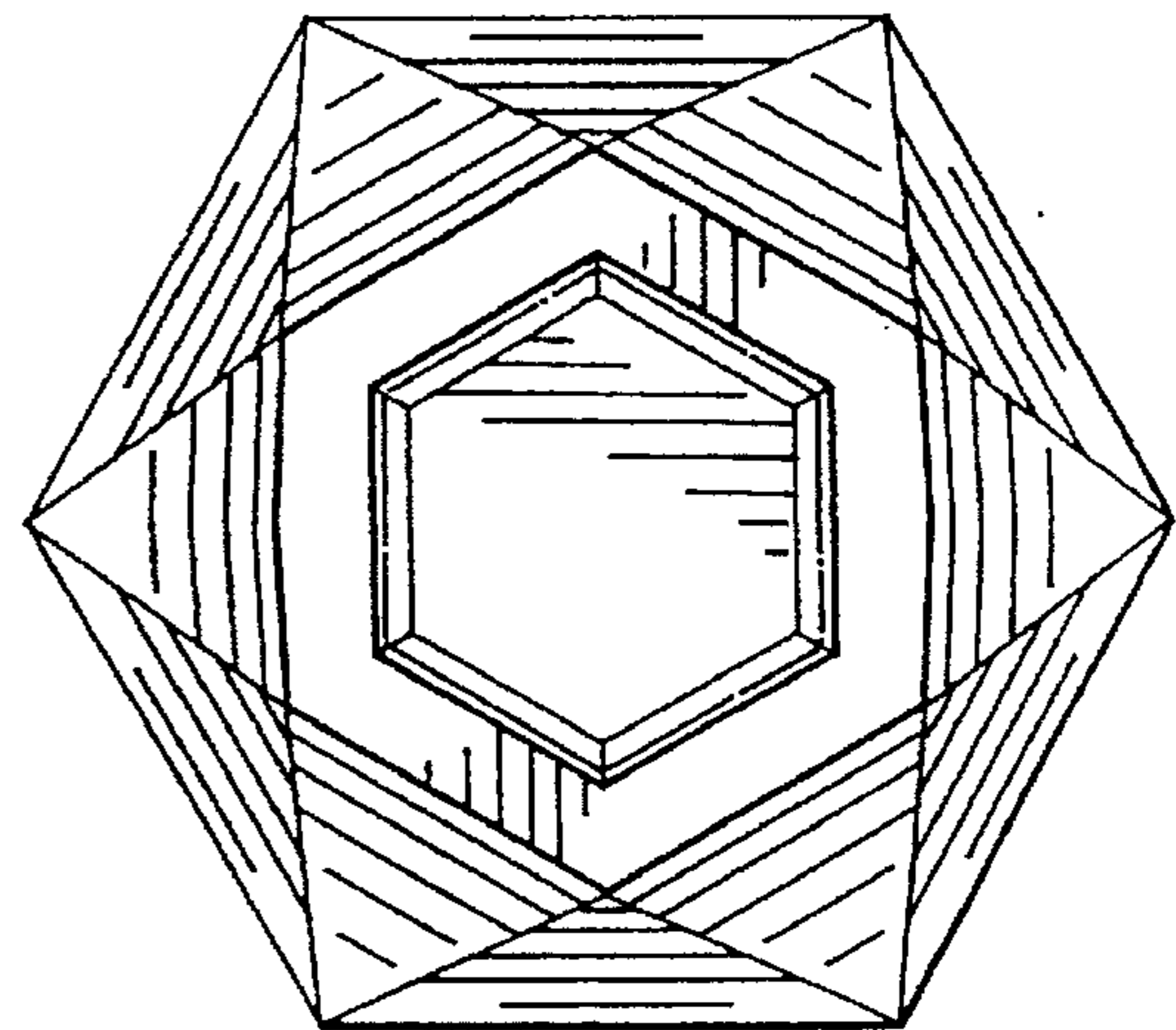


FIG. 12