



US00D382482S

United States Patent [19]

Lathrop et al.

[11] Patent Number: Des. 382,482

[45] Date of Patent: **Aug. 19, 1997

[54] BOTTLE CLOSURE

[75] Inventors: Gregory Alan Lathrop, Manchester; Mark Douglas Gerhart, Westminster; David Frederic Gnad, Owings Mills, all of Md.

[73] Assignee: Lever Brothers Company, Division of Conopco, Inc., New York, N.Y.

[**] Term: 14 Years

[21] Appl. No.: 36,979

[22] Filed: Mar. 31, 1995

[51] LOC (6) Cl. 09-07

[52] U.S. Cl. D9/453

[58] Field of Search D9/434, 435, 436, D9/439, 440, 443, 447, 449, 452, 453, 454, 523, 528; 215/41, 228, 320, 329, 325, 354, 382; 220/288, 306; 222/570

D. 289,978	5/1987	Clover, Jr.	D9/450 X
D. 292,489	10/1987	Kowolik et al. .	
D. 292,491	10/1987	Ross et al. .	
D. 292,492	10/1987	Ross et al.	D9/453
D. 293,551	1/1988	Britt .	
D. 293,770	1/1988	Ross et al.	D9/453
D. 296,672	7/1988	Bouthillier	D9/436
D. 304,301	10/1989	Moss et al.	D9/436
D. 305,407	1/1990	Gonda .	
D. 311,134	10/1990	Maes .	
D. 311,135	10/1990	Maes .	
D. 315,497	3/1991	Kamerichs et al.	D9/438 X
D. 354,684	1/1995	Lathrop et al.	D9/523
2,851,196	9/1958	Livingstone .	
4,558,862	12/1985	Barker et al. .	
4,572,384	2/1986	Vesborg .	
4,706,829	11/1987	Li .	
4,741,459	5/1988	Silvenis et al. .	
4,939,152	7/1990	Barr et al.	215/354 X
4,974,749	12/1990	Mon .	
5,458,854	10/1995	Burns	215/354 X
5,499,730	3/1996	Harbour	215/382

Primary Examiner—Jeffrey Asch
Attorney, Agent, or Firm—James J. Farrell

[56] References Cited

U.S. PATENT DOCUMENTS

H803	8/1990	Sherrington	D9/435
D. 196,324	9/1963	Sterges .	
D. 233,825	12/1974	Thomas .	
D. 237,254	10/1975	Kretz .	
D. 247,021	1/1978	Britt .	
D. 248,828	8/1978	Weckman .	
D. 252,556	8/1979	Kretz .	
D. 258,419	3/1981	Wilson et al. .	
D. 268,898	5/1983	Douglas .	
D. 268,902	5/1983	Douglas .	
D. 278,681	5/1985	Prahs .	
D. 280,487	9/1985	Lane et al. .	
D. 280,488	9/1985	Lane et al. .	
D. 283,396	4/1986	Bouthillier .	

[57] CLAIM

The ornamental design for a bottle closure, as shown and described.

DESCRIPTION

FIG. 1 is a perspective view of a bottle closure with the opening downward showing our new design; FIG. 2 is a front elevational view thereof, the undisclosed opposite side being identical; FIG. 3 is a top plan view thereof; FIG. 4 is a bottom plan view thereof; and, FIG. 5 is a perspective view with the opening upwards.

1 Claim, 1 Drawing Sheet

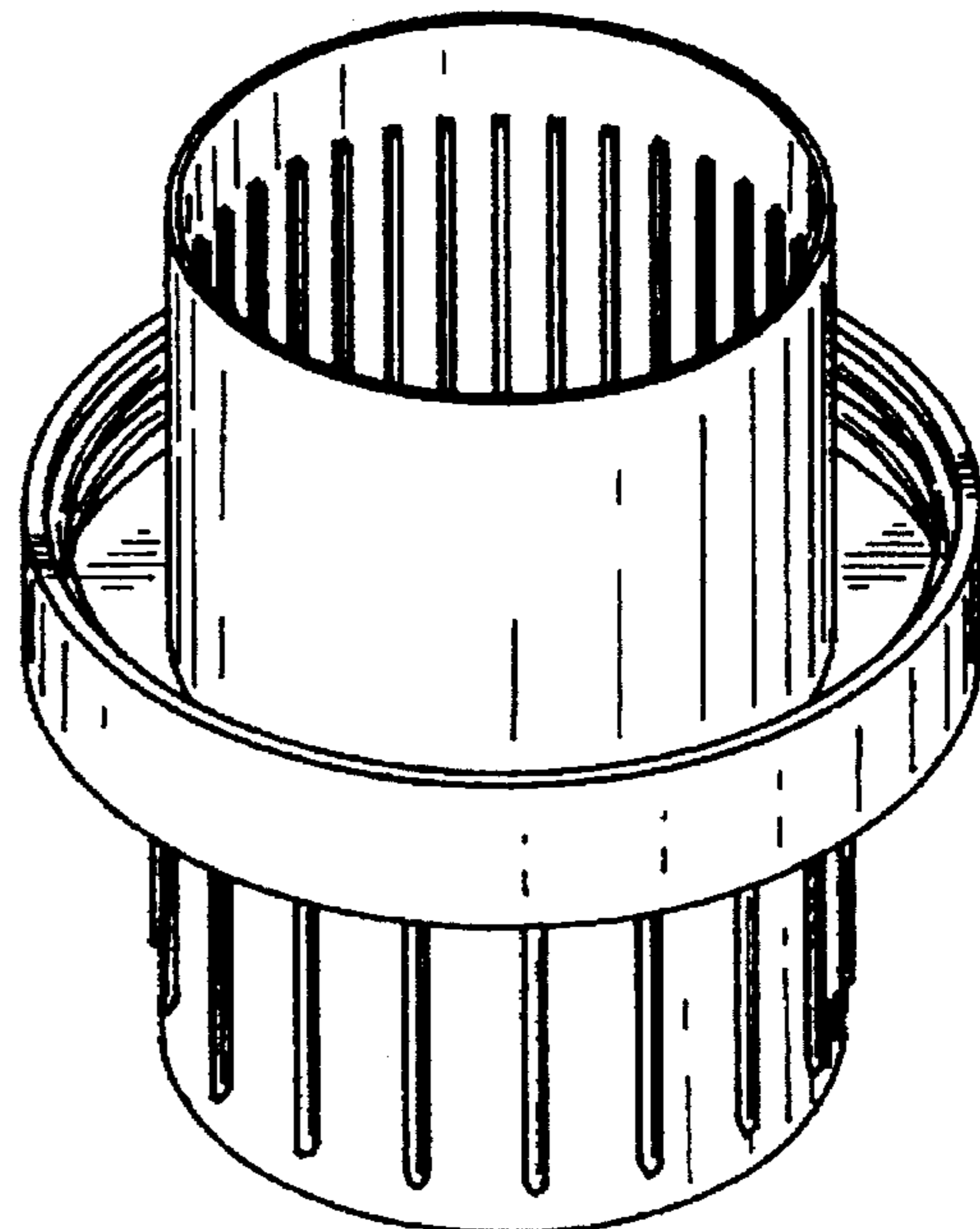
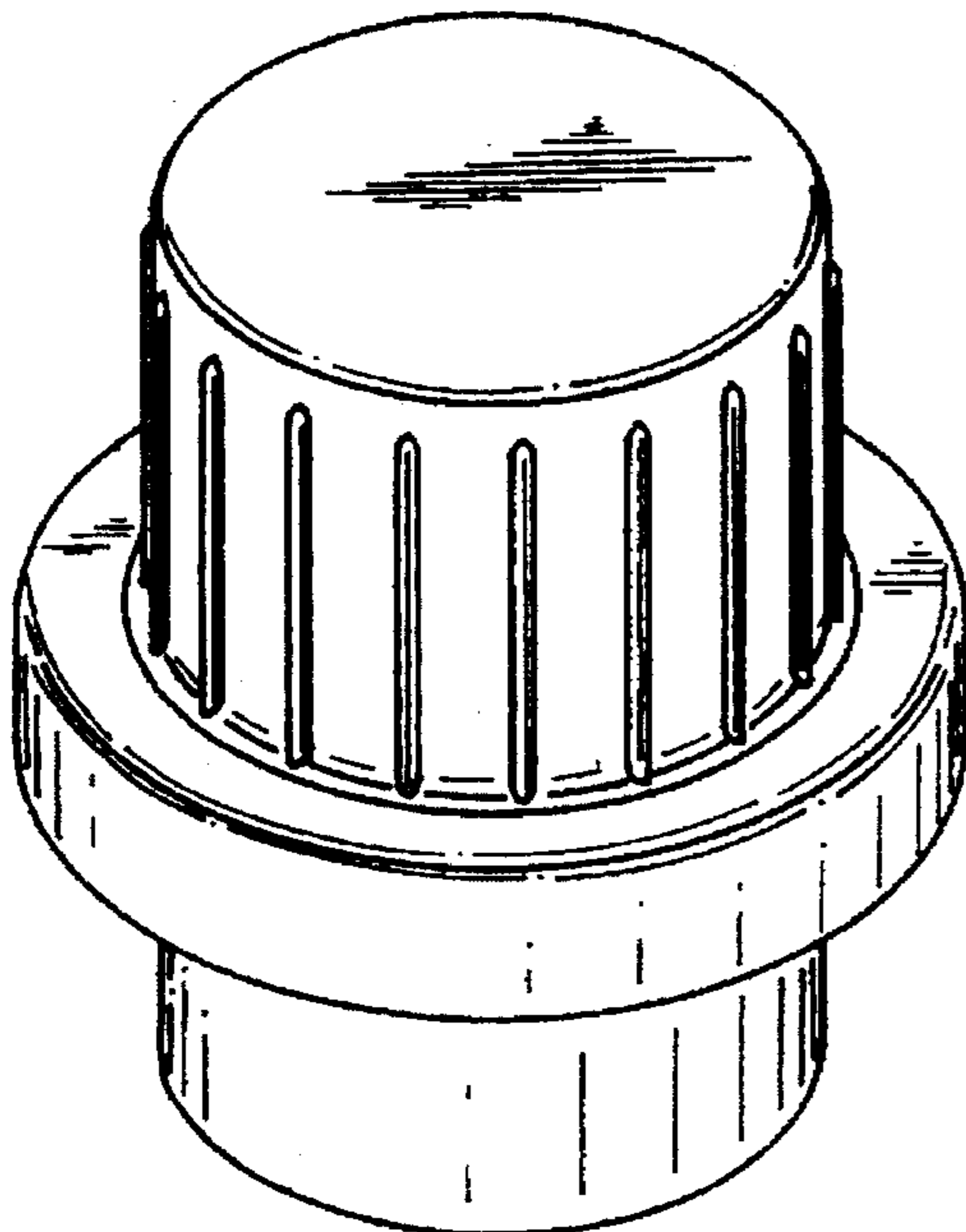


FIG. 1

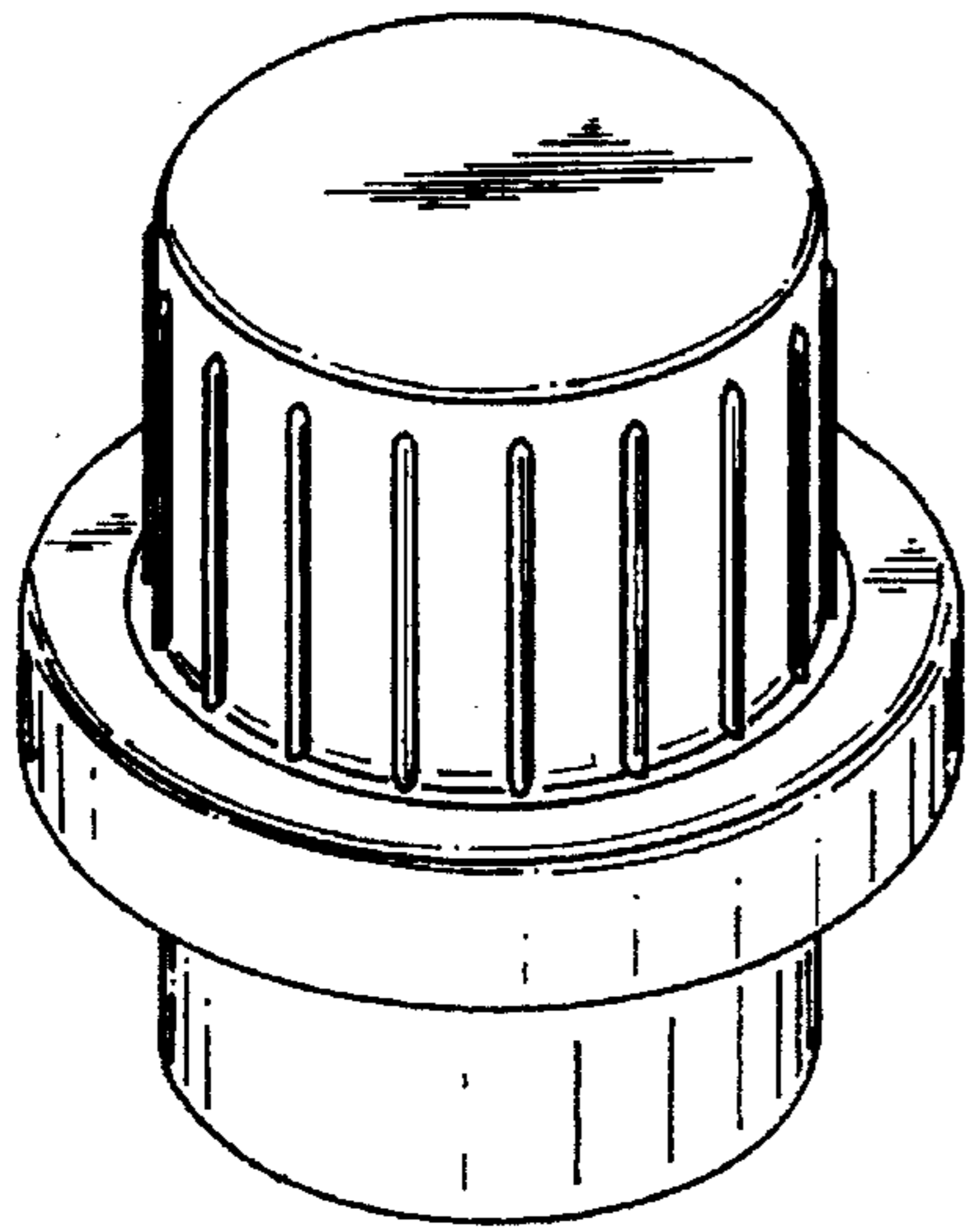


FIG. 2

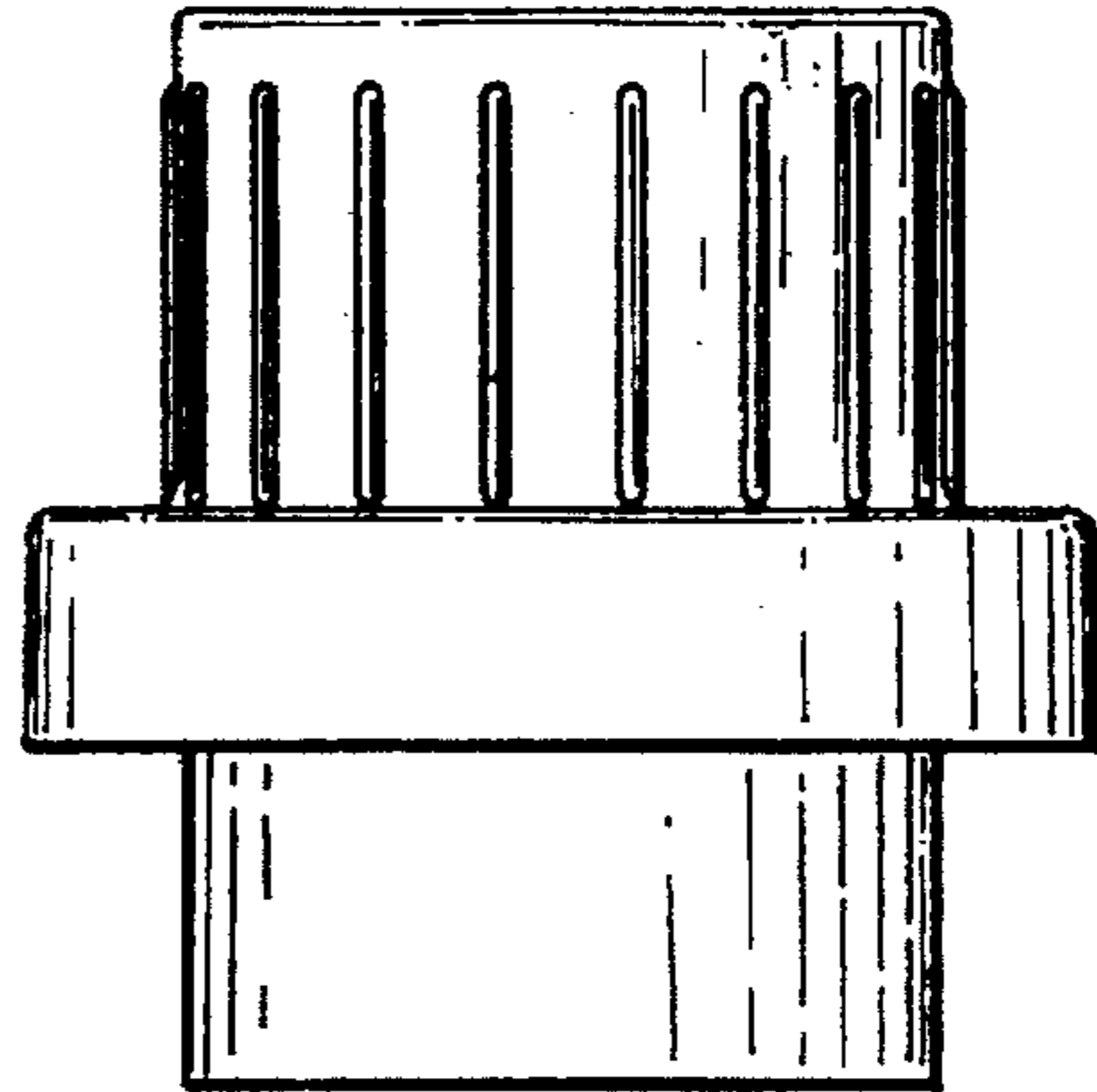


FIG. 3

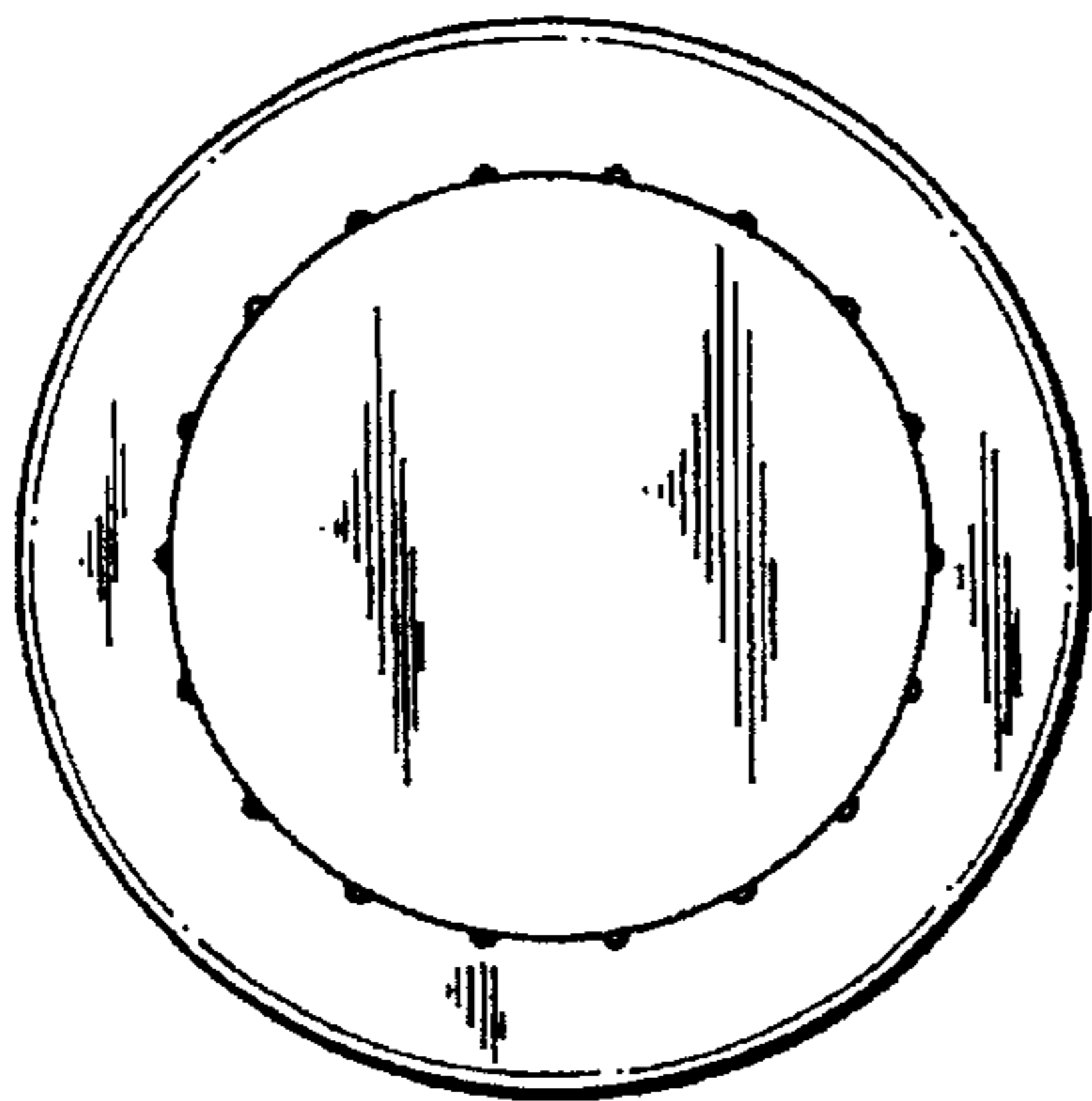


FIG. 4

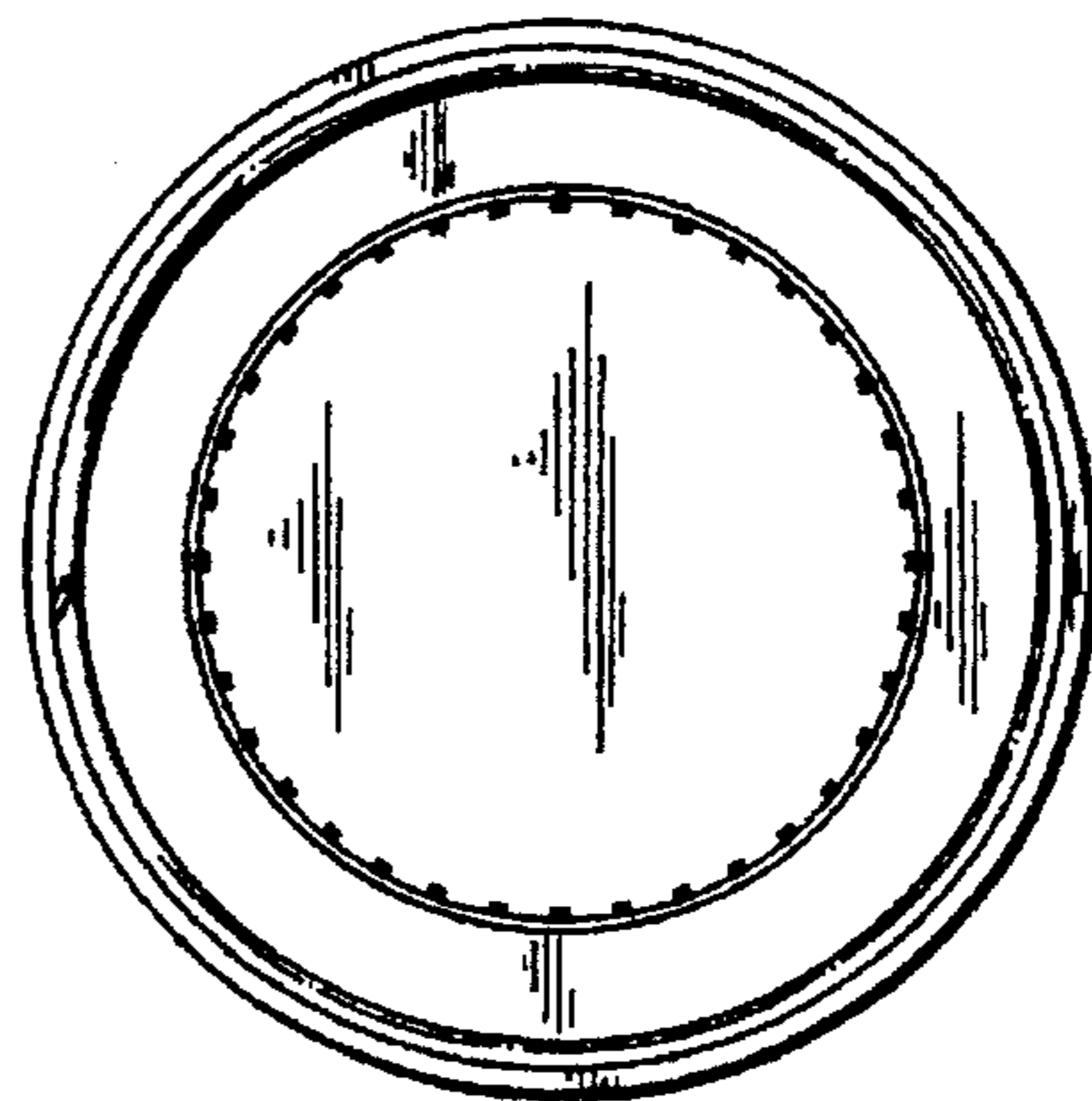


FIG. 5

