



US00D382481S

United States Patent [19]
McEldowney

[11] **Patent Number: Des. 382,481**
[45] **Date of Patent: **Aug. 19, 1997**

[54] **EASY OPEN CONTAINER END**
[75] **Inventor: Carl McEldowney, Russia, Ohio**
[73] **Assignee: Aluminum Company of America, Pittsburgh, Pa.**
[**] **Term: 14 Years**
[21] **Appl. No.: 48,638**
[22] **Filed: Jan. 5, 1996**
[51] **LOC (6) Cl. 09-07**
[52] **U.S. Cl. D9/438**
[58] **Field of Search D9/434, 438, 499, D9/518; 215/255; 220/269, 270, 271; 222/541.9**

4,205,760 6/1980 Hasegawa 220/271
4,210,257 7/1980 Radtke 220/269
4,211,335 7/1980 Langseder 220/269
4,276,993 7/1981 Hasegawa 220/269
4,361,251 11/1982 Langseder et al. 220/269
4,363,419 12/1982 Walz, Sr. 220/269
4,387,827 6/1983 Ruemer, Jr. 220/269
4,465,204 8/1984 Kaminski et al. 220/269
4,733,793 3/1988 Moen 220/269
4,872,597 10/1989 Hanafusa 222/541
4,930,654 6/1990 Thibeault et al. 220/253
5,011,037 4/1991 Moen et al. 220/271

Primary Examiner—James Gandy
Assistant Examiner—Cathron B. Matta
Attorney, Agent, or Firm—Thomas R. Trempus

[57] **CLAIM**

The ornamental design for the easy-open container end, as shown and described.

DESCRIPTION

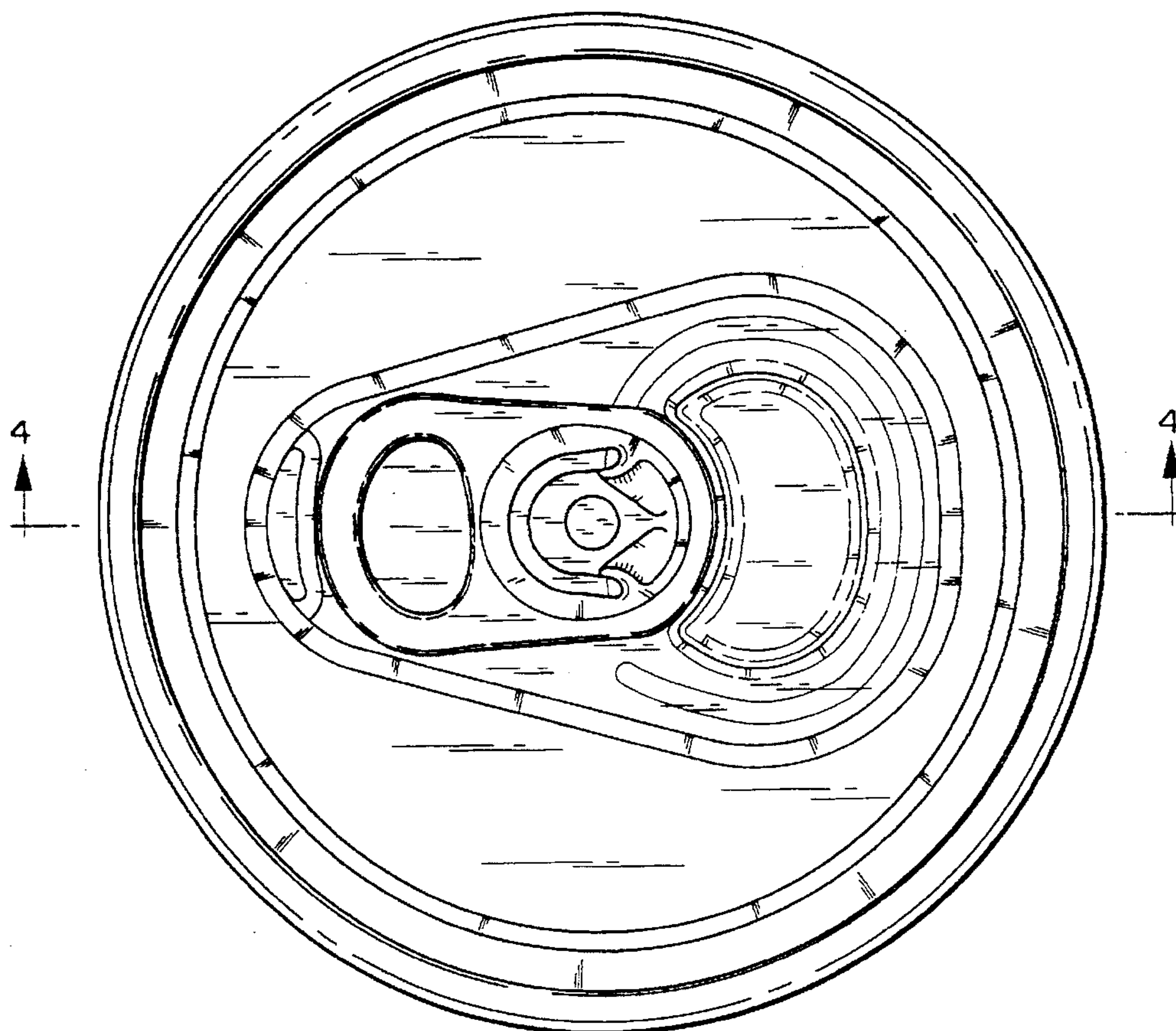
FIG. 1 is a top plan view of an easy-open container end showing my new design;
FIG. 2 is a side elevation view thereof;
FIG. 3 is a bottom plan view thereof; and,
FIG. 4 is a section through the easy-open can end of FIG. 1 along lines 4—4 thereof.

1 Claim, 2 Drawing Sheets

[56] **References Cited**

U.S. PATENT DOCUMENTS

Re. 31,702 10/1984 Brown 220/269
D. 337,521 7/1993 McNulty D9/435 X
D. 338,156 8/1993 Cook D9/438
D. 365,988 1/1996 Clark, III D9/438
3,534,883 10/1970 Khoury D9/438 X
3,929,252 12/1975 LaCroce 220/269
4,015,744 4/1977 Brown 220/269
4,024,981 5/1977 Brown 220/269
4,061,243 12/1977 Khoury 220/269
4,184,607 1/1980 Potts 220/273



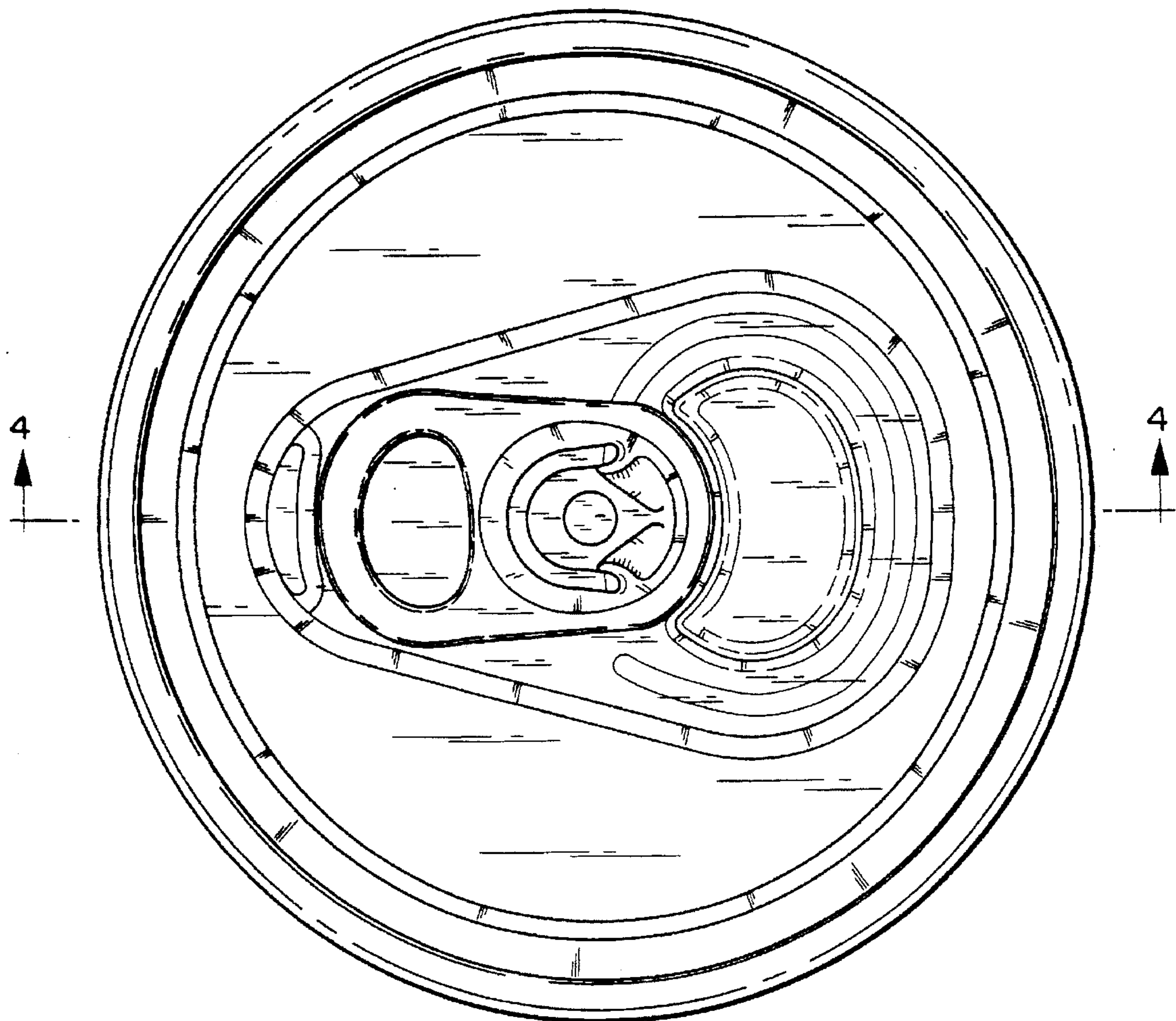


FIG. 1

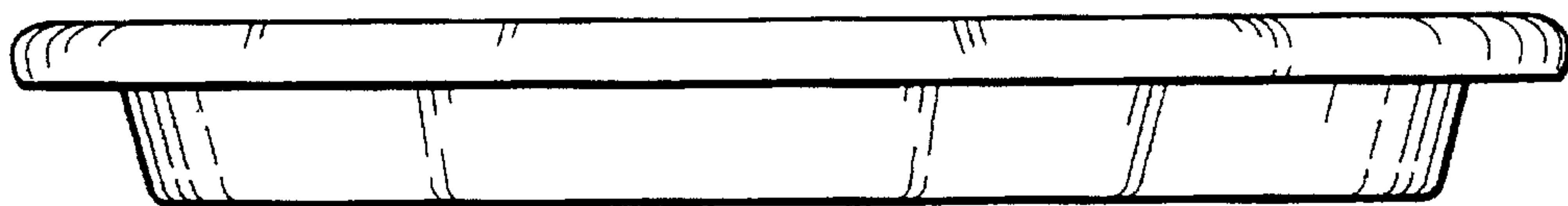


FIG. 2

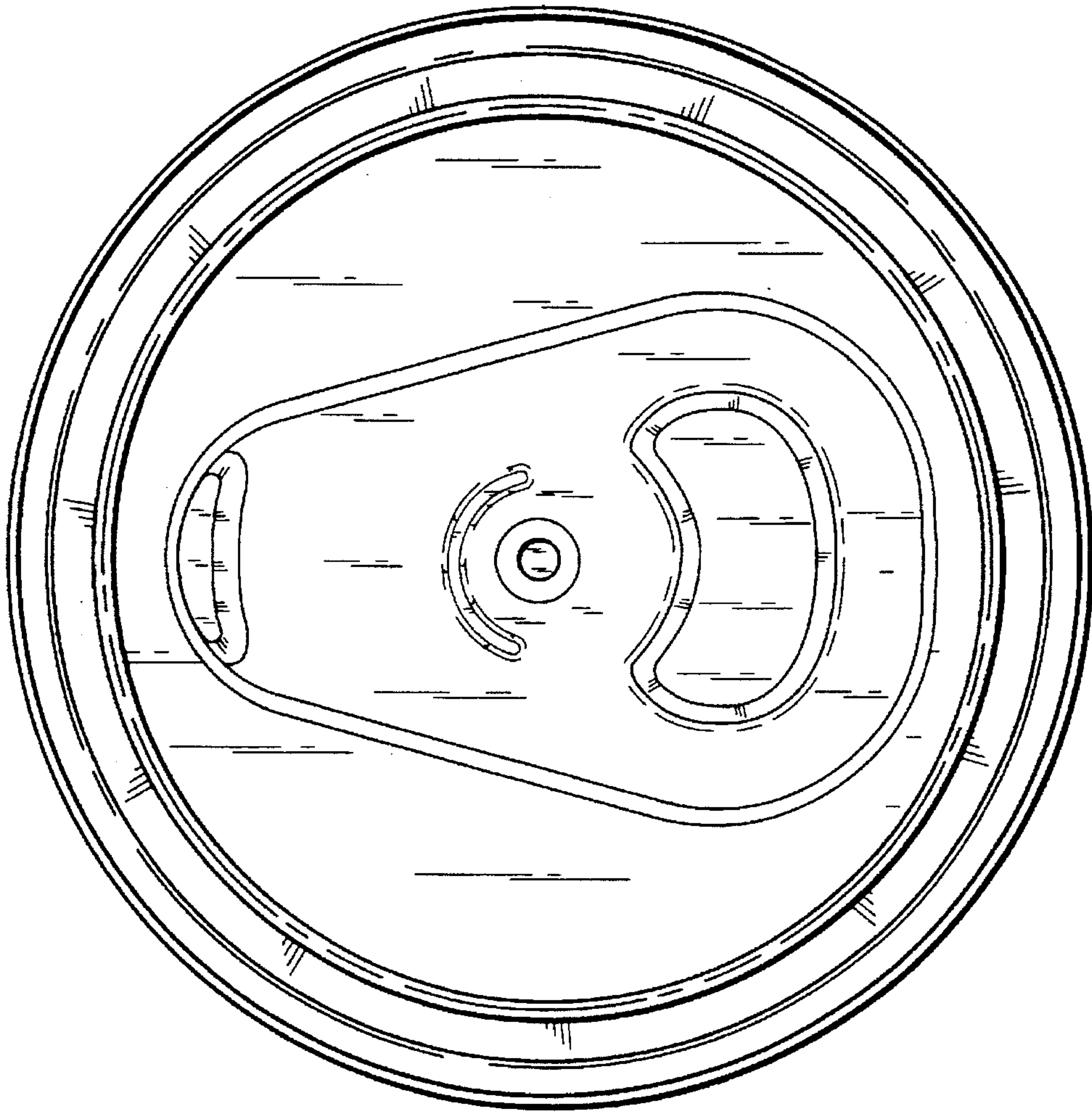


FIG. 3

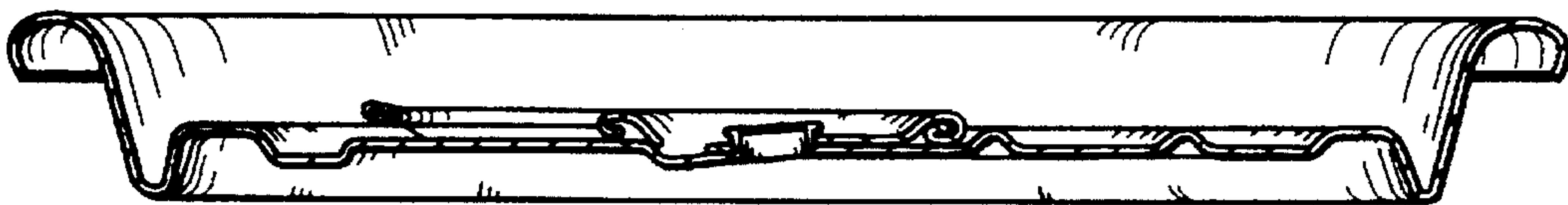


FIG. 4