



US00D382476S

United States Patent [19]
Bell

[11] **Patent Number: Des. 382,476**

[45] **Date of Patent: **Aug. 19, 1997**

[54] **BOX FOR CANDY AND NUTS**

[75] Inventor: **Edward Bell**, Hauppauge, N.Y.
[73] Assignee: **21st Century Snack Foods**, Plainview, N.Y.
[**] Term: **14 Years**

[21] Appl. No.: **51,575**
[22] Filed: **Mar. 13, 1996**

[51] **LOC (6) Cl.** **09-07**
[52] **U.S. Cl.** **D9/418; D9/432; D9/315**
[58] **Field of Search** **D9/432, 423, 414, D9/307, 315, 337, 418, 415; 206/457, 459.5, 459.1, 830, 800, 541, 769, 776; 229/116.1, 116.2, 116.5, 87.06, 87.08, 87.18, 87.19, 904.1, 922, 923, 125.22, 125.34**

[56] **References Cited**

U.S. PATENT DOCUMENTS

D. 130,500	11/1941	Huch	D9/315
646,852	4/1900	Lorscheider	229/116.5
1,628,121	5/1927	Covel	229/116.5
1,705,838	3/1929	Schleicher	220/376 X
1,935,251	11/1933	Scully	229/125.22 X
2,166,504	7/1939	Nichols	229/116.5
3,128,725	4/1964	Becker et al.	229/116.2 X
3,370,779	2/1968	Cole	229/923 X
3,910,408	10/1975	Husney et al.	206/457 X
4,776,511	10/1988	Tischer	229/125.38 X

FOREIGN PATENT DOCUMENTS

2190660	11/1987	United Kingdom	229/904.1
---------	---------	----------------	-------	-----------

OTHER PUBLICATIONS

Packaging Catalog, 1940, p. 135.
Packaging 1959, p. 81, Item #123.
Packaging 1959, p. 87, Item #153.

Primary Examiner—Prabhakar G. Deshmukh
Attorney, Agent, or Firm—Dilworth & Barrese

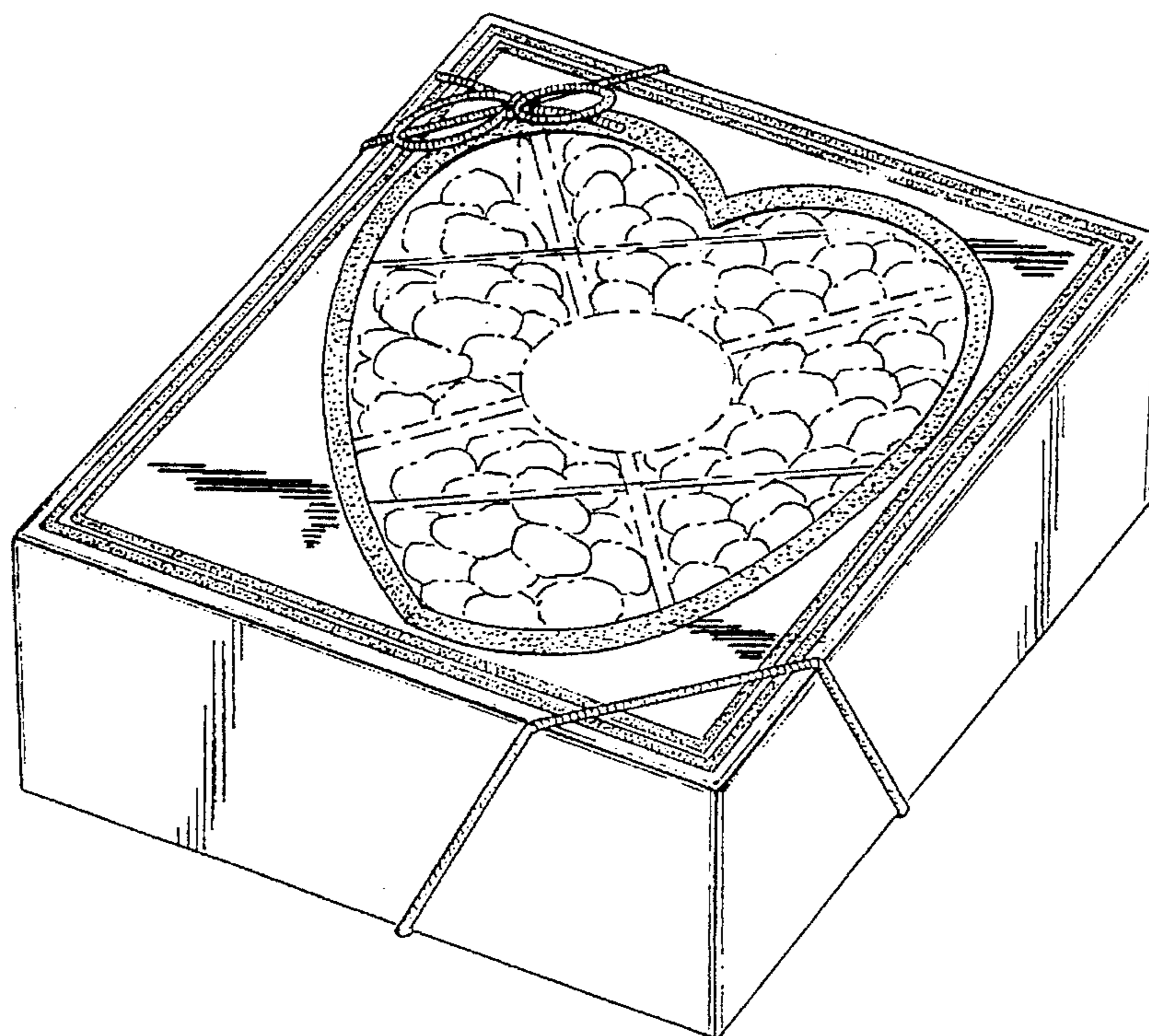
[57] **CLAIM**

The ornamental design for a box for candy and nuts, as shown and described.

DESCRIPTION

FIG. 1 is a perspective view of the box of the present invention;
FIG. 2 is a top plan view of the box of FIG. 1;
FIG. 3 is a front elevation view of the box of FIG. 1, which is a mirror image of a rear elevation view;
FIG. 4 is a bottom plan view of the box of FIG. 1;
FIG. 5 is a right side elevation view of the box of FIG. 1, which is a mirror image of a left side elevation view;
FIG. 6 is a perspective view of an alternate embodiment of the box of FIG. 1;
FIG. 7 is a top plan view of the box of FIG. 1;
FIG. 8 is a front elevation view of the box of FIG. 6;
FIG. 9 is a bottom plan view of the box of FIG. 6;
FIG. 10 is a rear elevation view of the box of FIG. 6;
FIG. 11 is a right side elevation view of the box of FIG. 6; and,
FIG. 12 is a left side elevation view of the box of FIG. 6.
The broken line structure is shown for illustrative purpose only and forms no part of the claim.

1 Claim, 7 Drawing Sheets



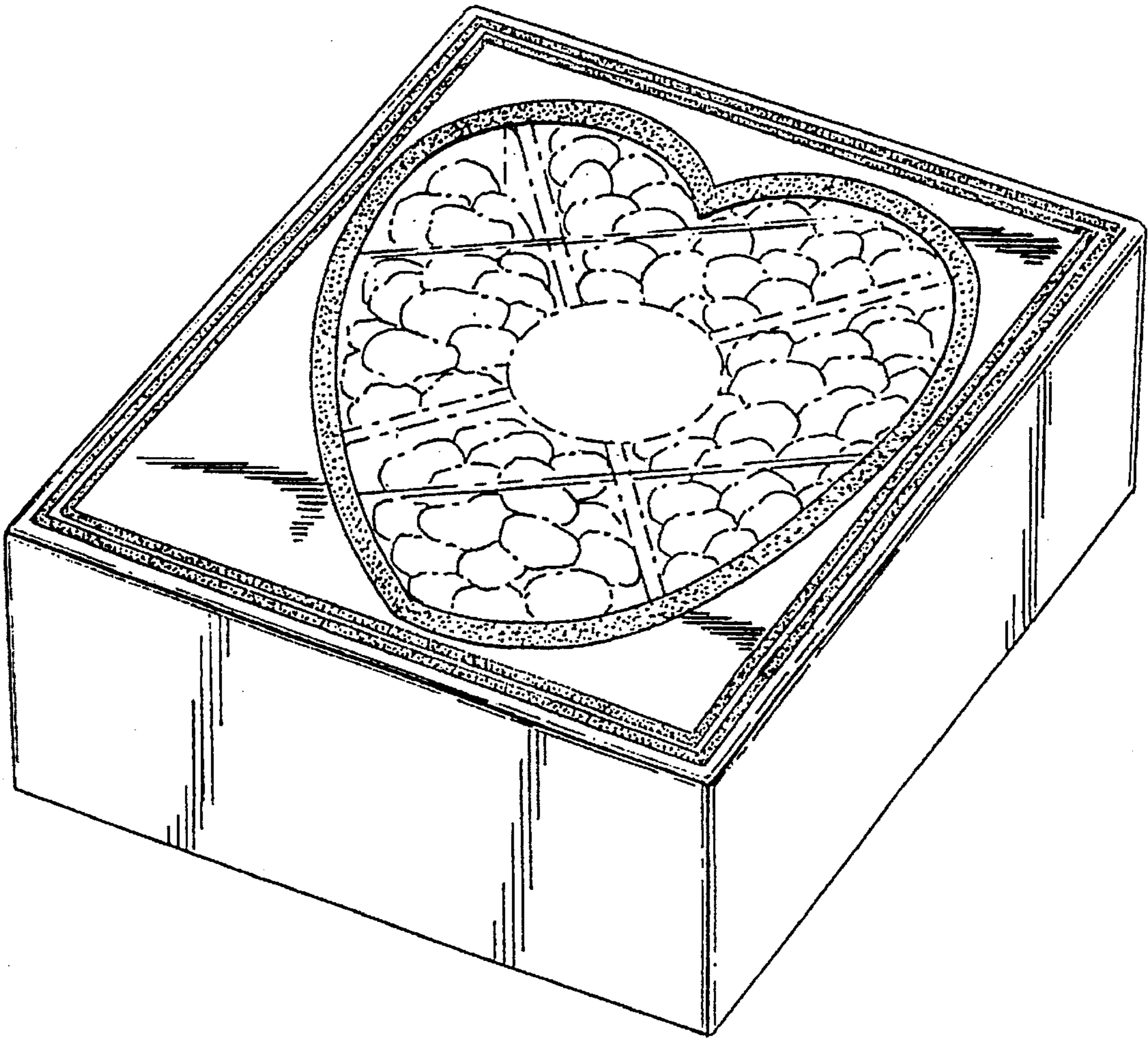


FIG. 1

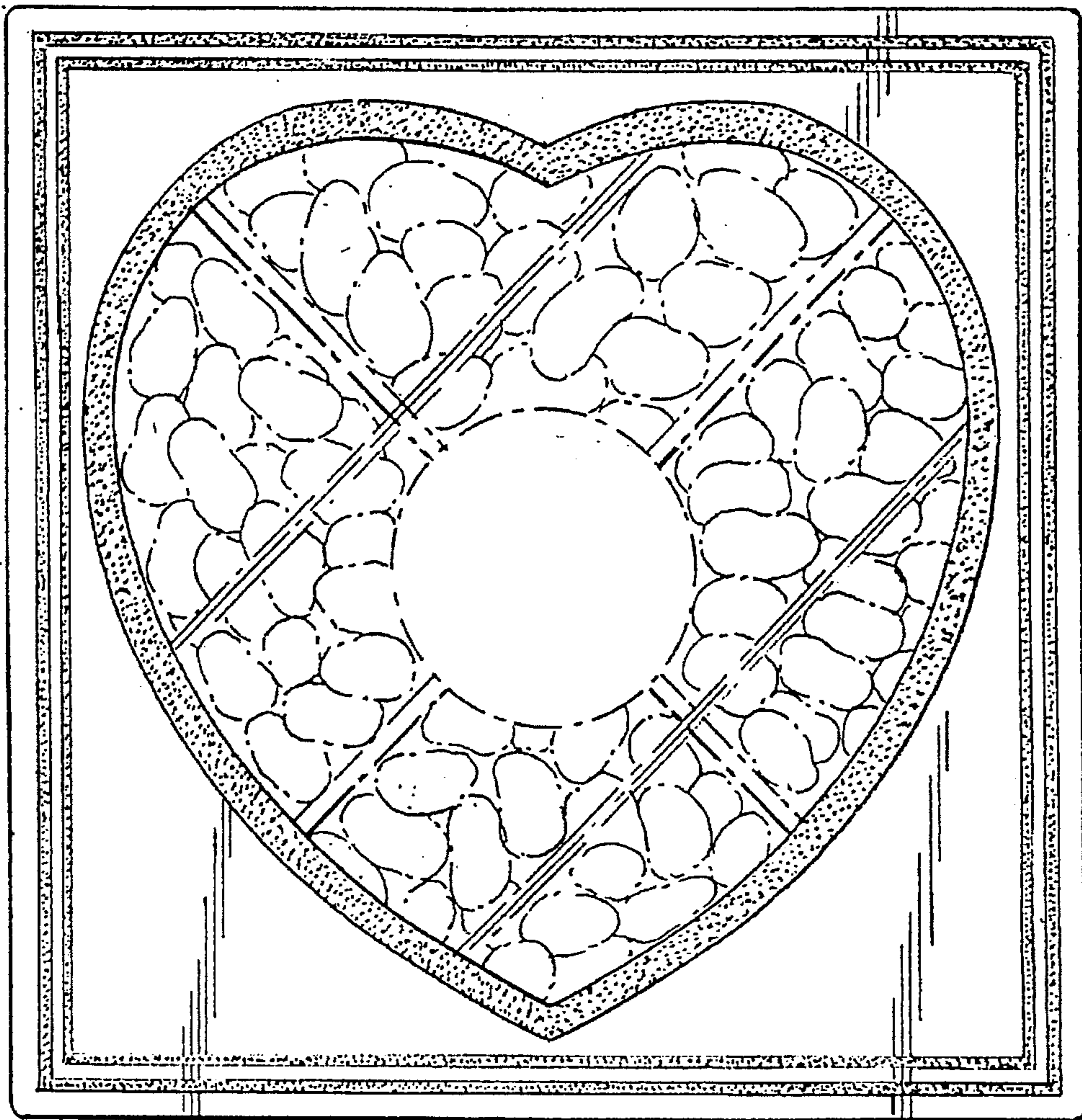


FIG. 2

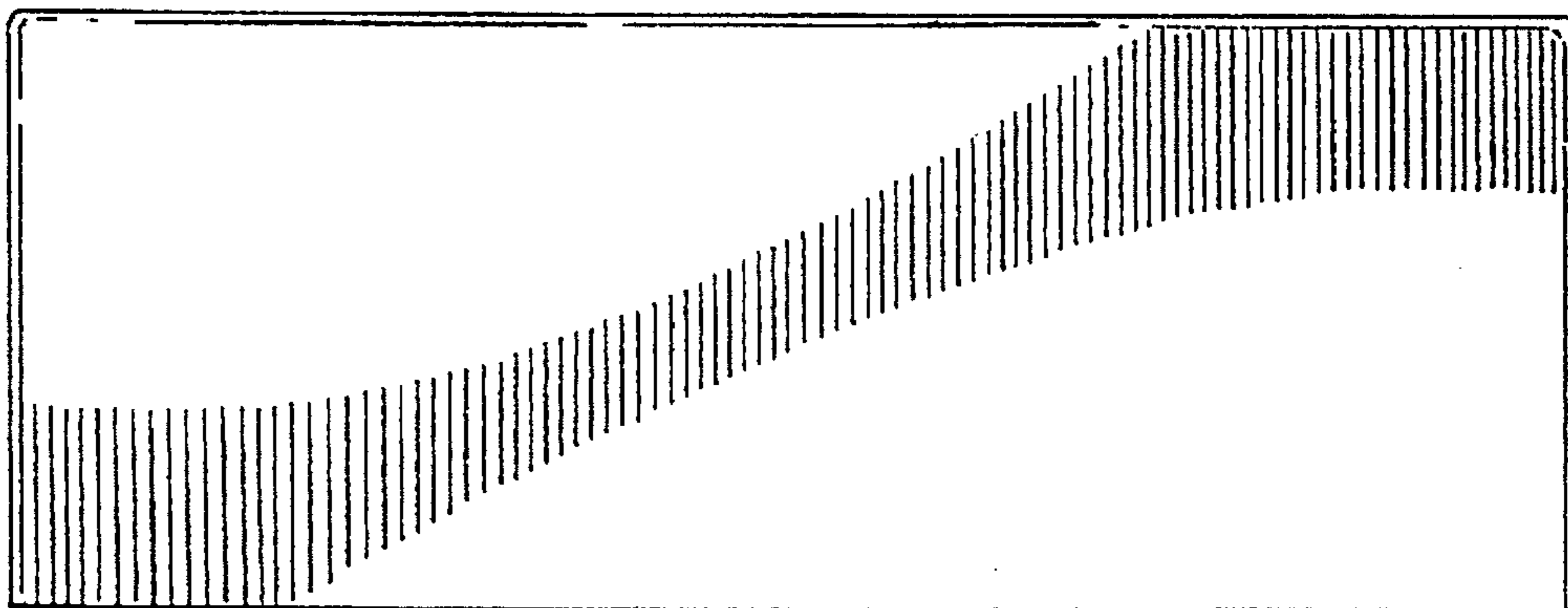


FIG. 3

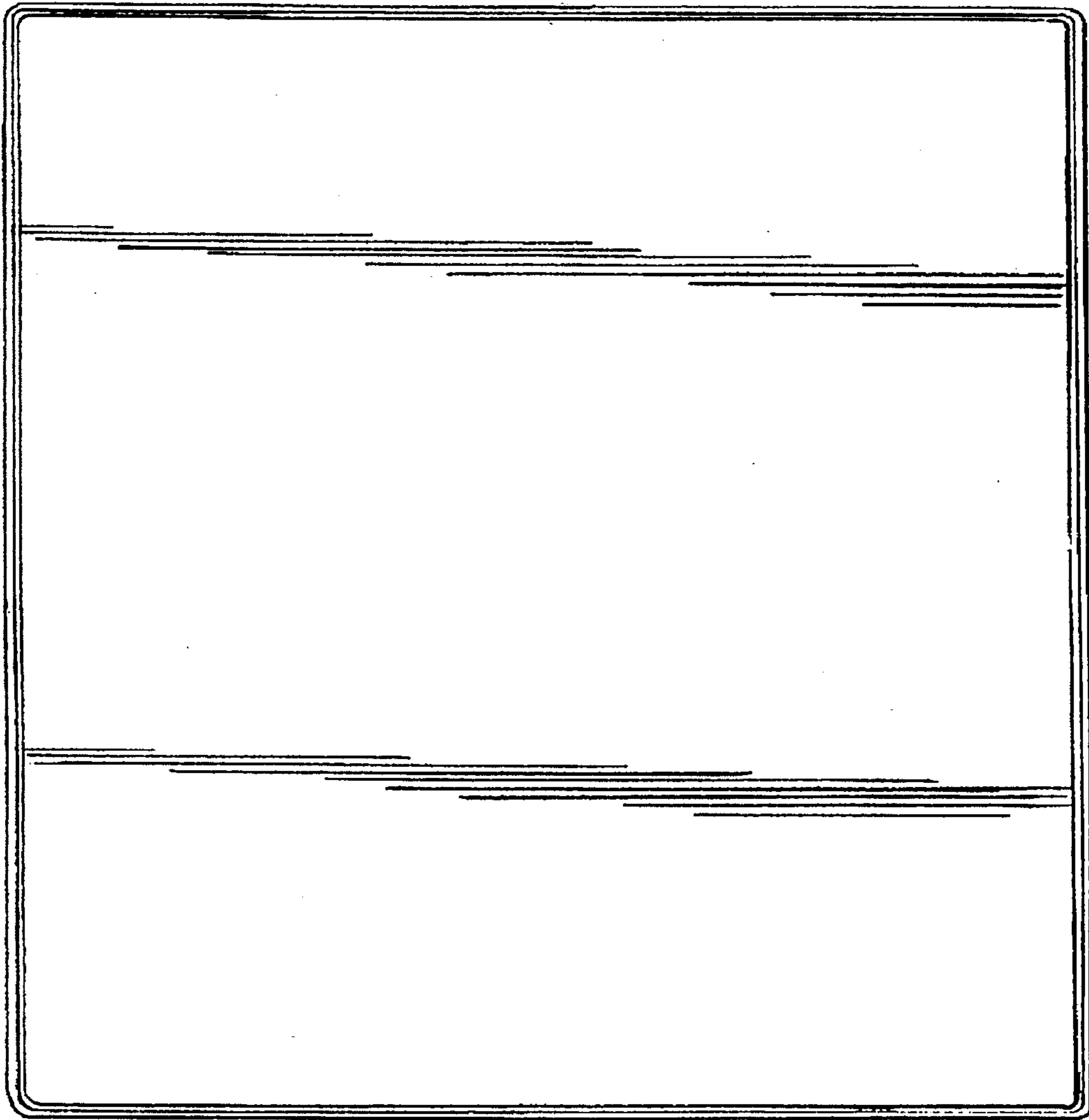


FIG. 4

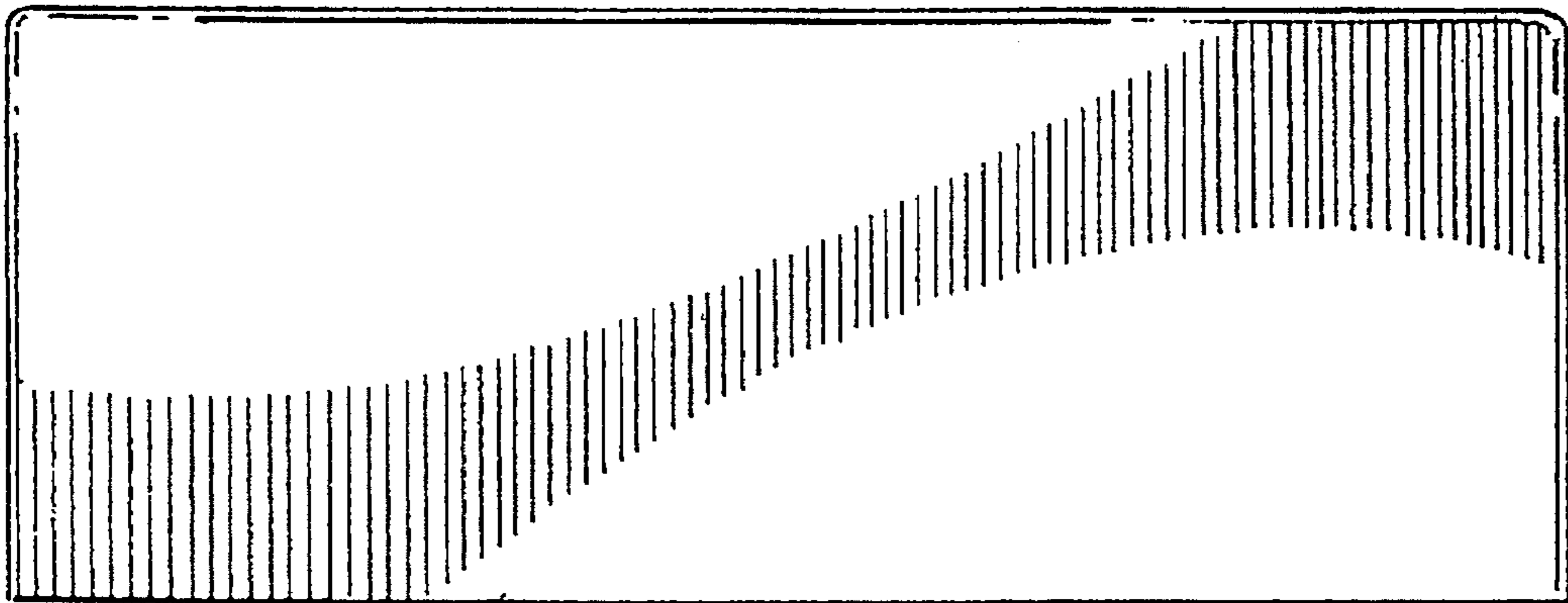


FIG. 5

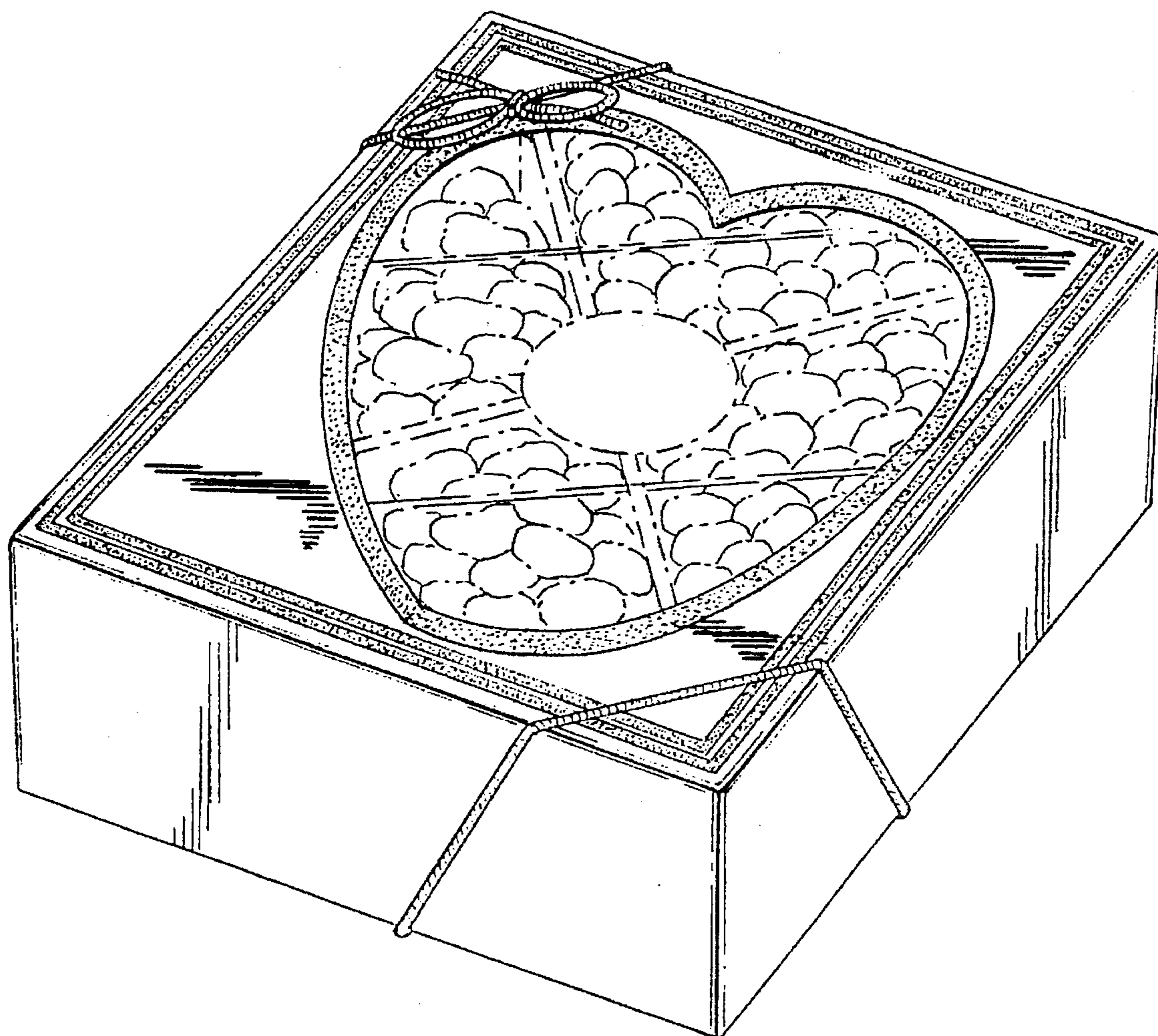


FIG. 6

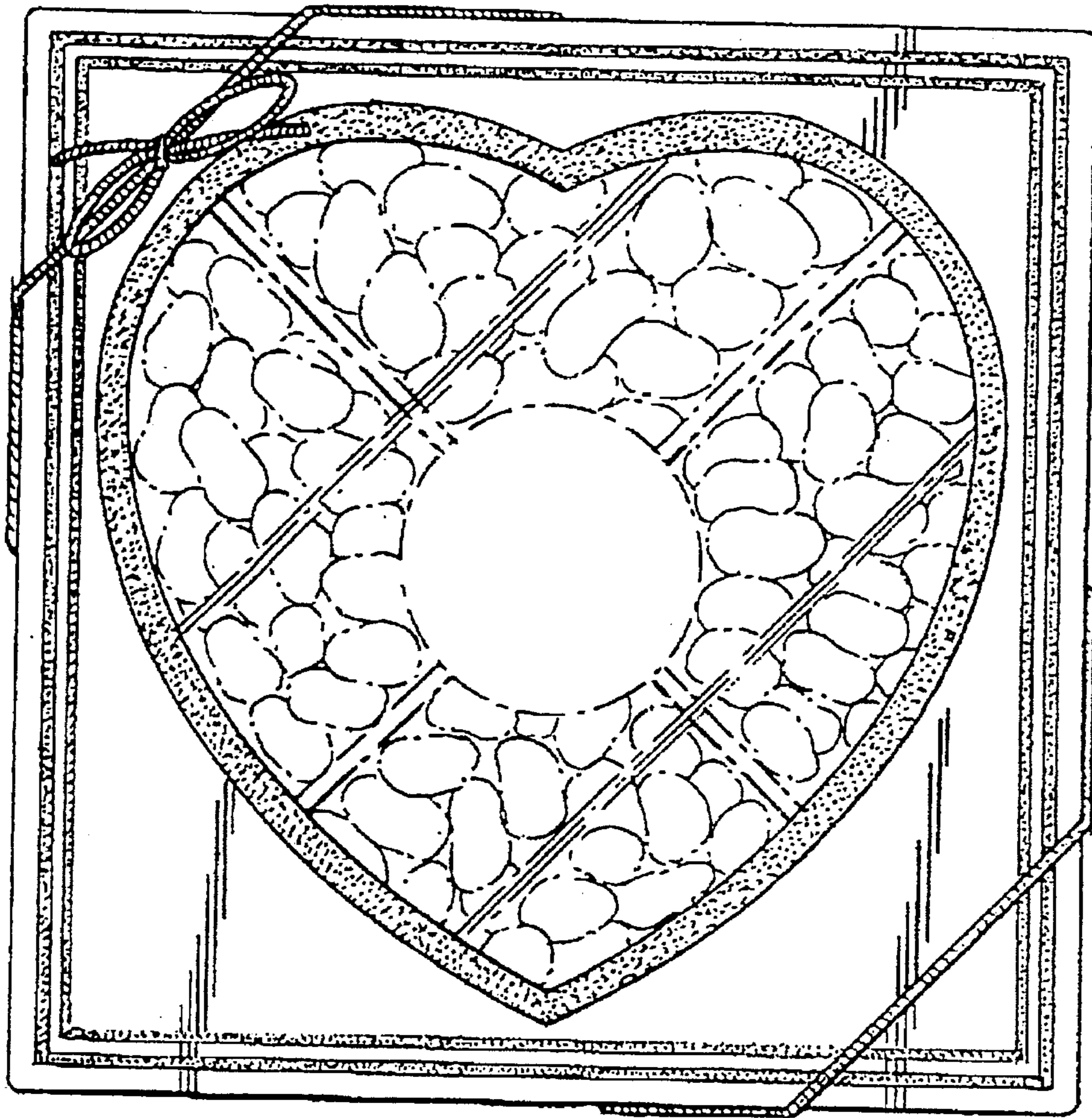


FIG. 7

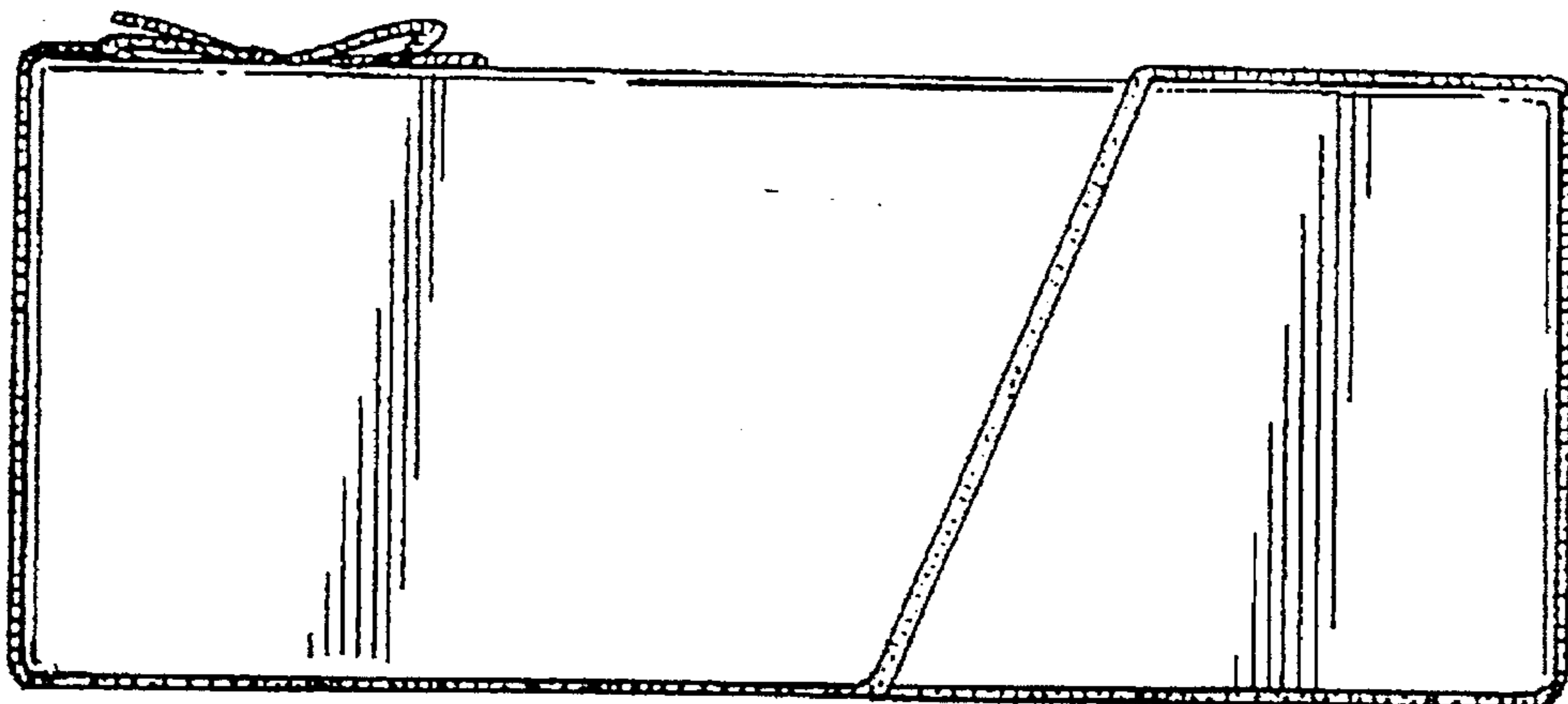


FIG. 8

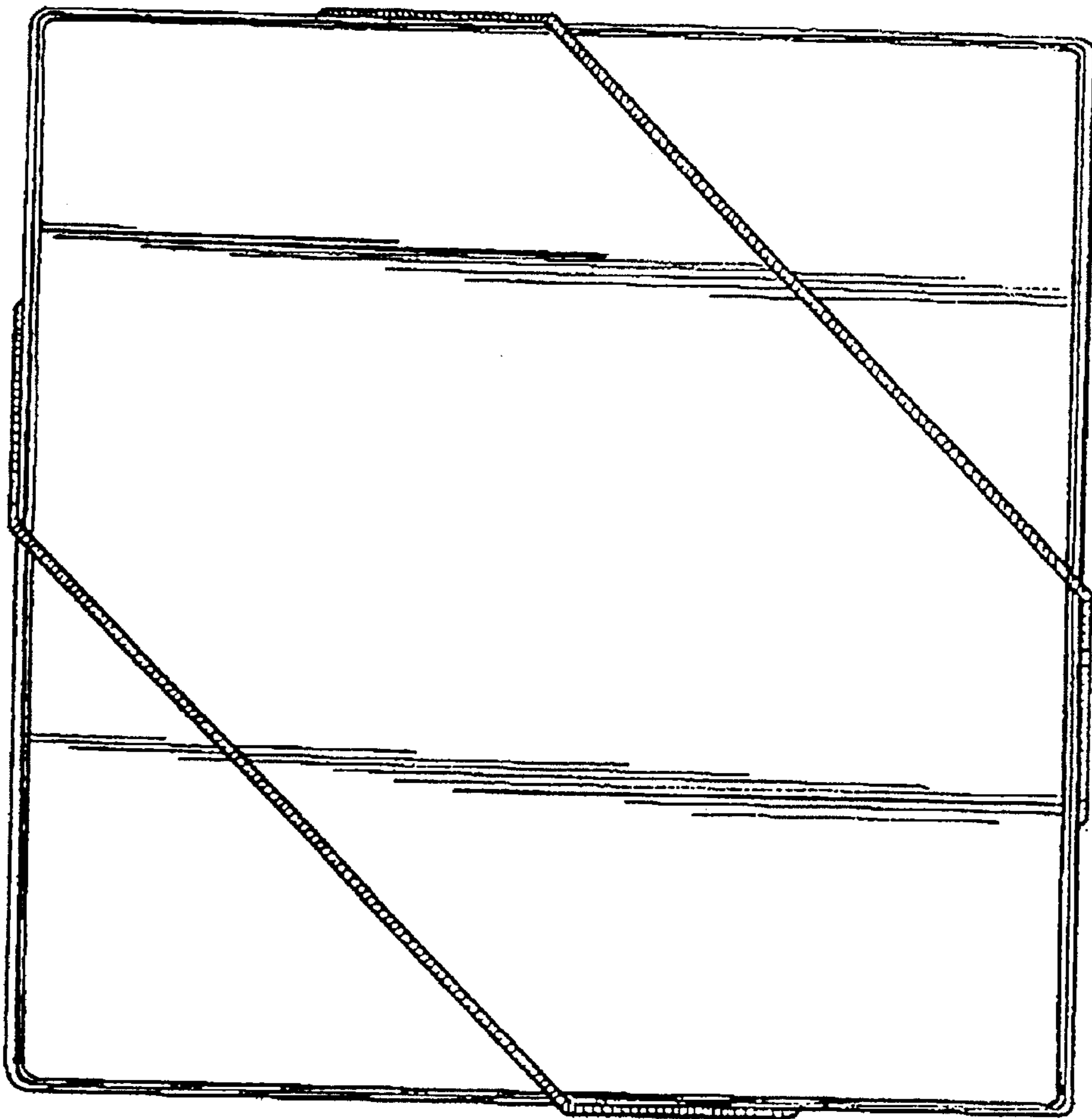


FIG. 9

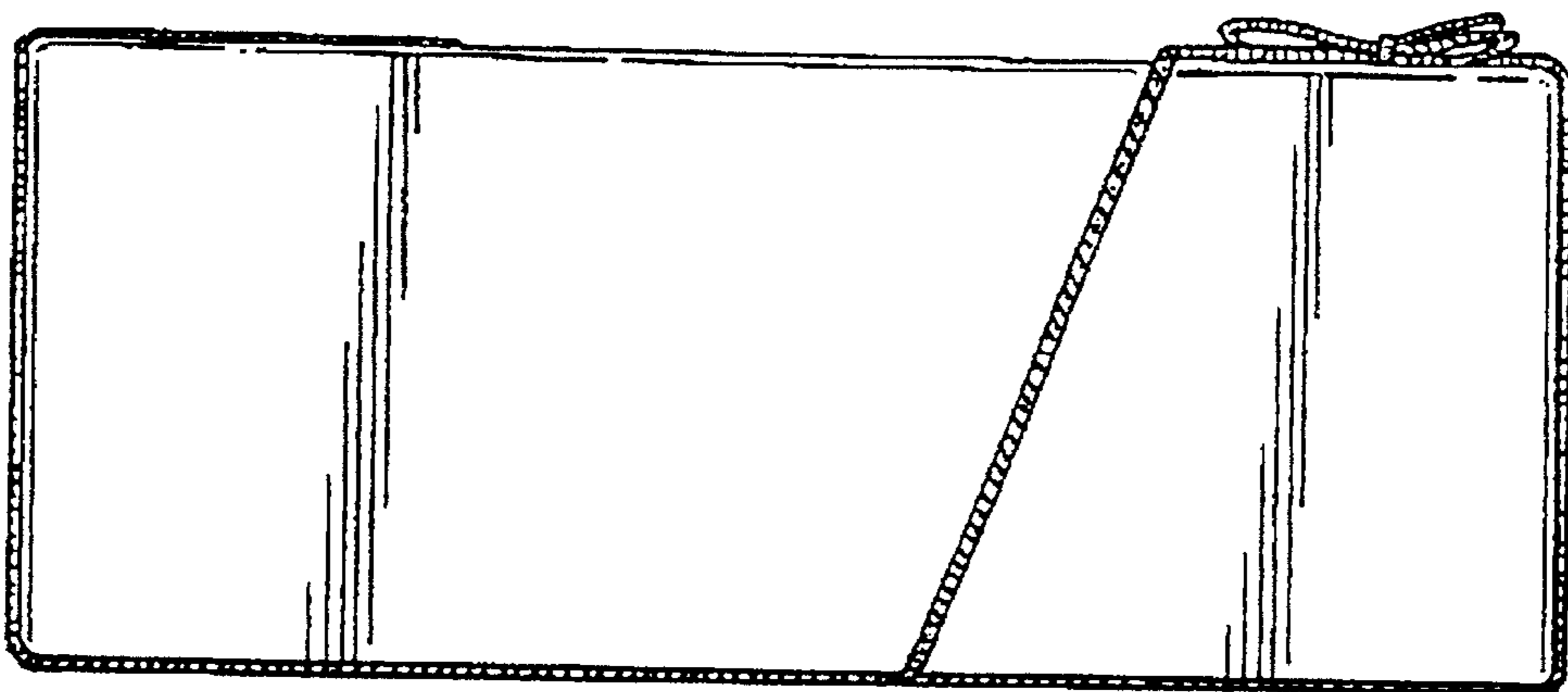


FIG. 10

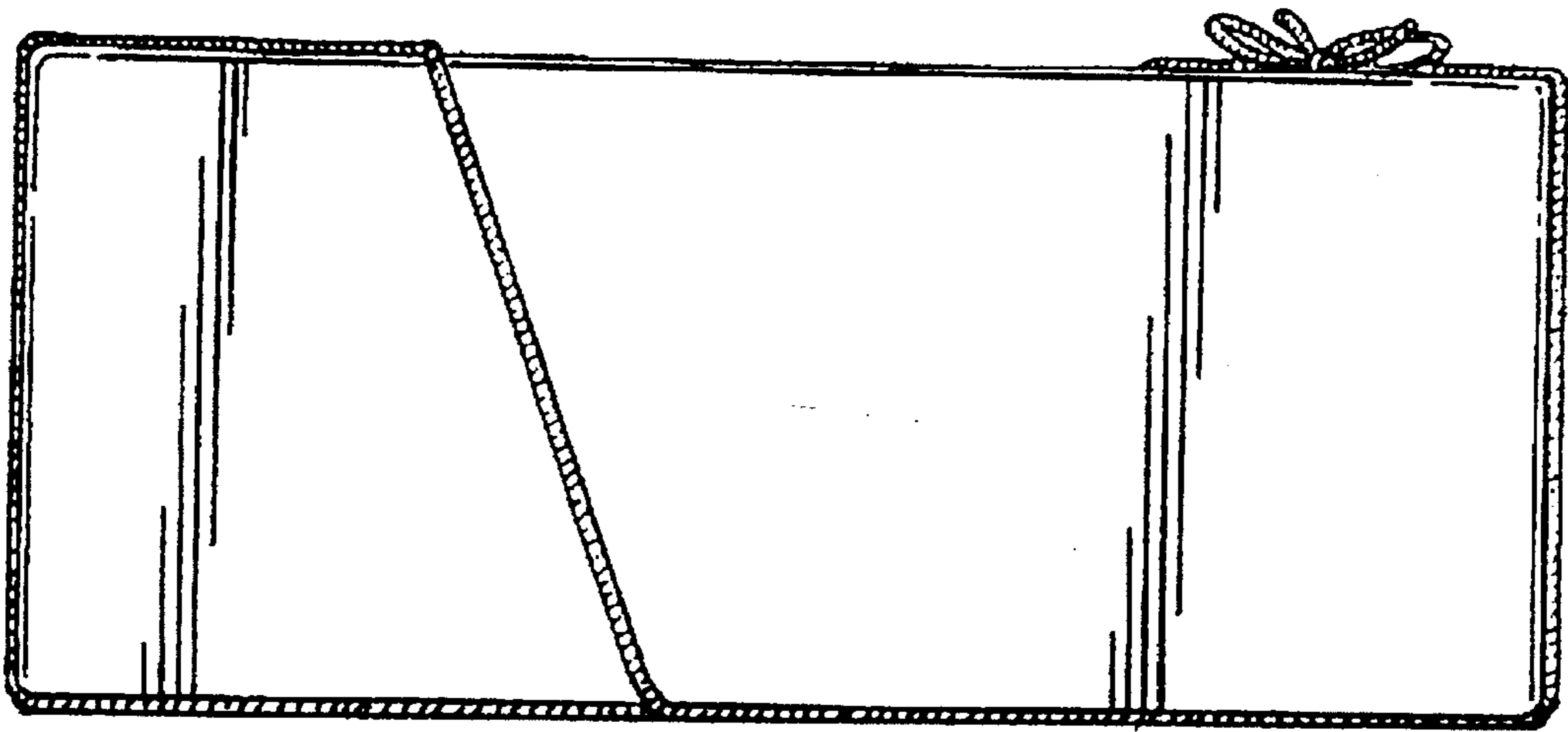


FIG. 11

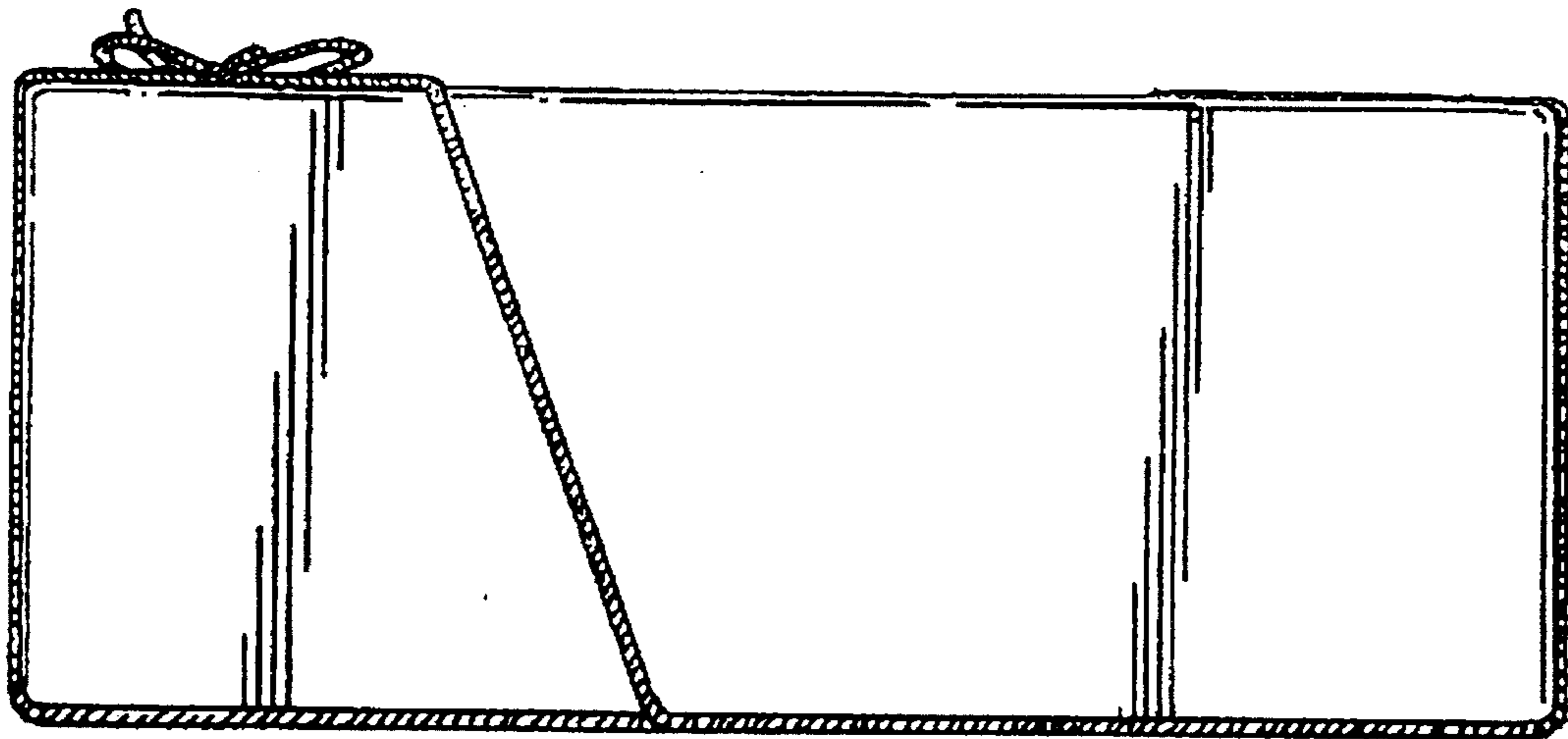


FIG. 12