



US00D382475S

United States Patent [19] Cooper

[11] Patent Number: **Des. 382,475**

[45] Date of Patent: ****Aug. 19, 1997**

[54] **DISPLAY PACKAGE**

[75] Inventor: **Theresa Elizabeth Cooper**, Los Angeles County, Calif.

[73] Assignee: **American International Industries**, Los Angeles, Calif.

[**] Term: **14 Years**

[21] Appl. No.: **44,964**

[22] Filed: **Oct. 4, 1995**

[51] LOC (6) Cl. **09-07**

[52] U.S. Cl. **D9/415**

[58] Field of Search D9/415, 418, 457, D9/414; 206/461-471, 806, 45.34, 45.31, 44 R, 495, 581, 771, 763

3,273,702	9/1966	Palmer	206/461	X
3,608,705	9/1971	Moshel	206/461	
4,320,829	3/1982	DiMarzio et al.	206/776	
5,018,622	5/1991	Hartley	206/461	X
5,020,669	6/1991	Nakagoshi	206/466	

OTHER PUBLICATIONS

Modern Packaging, 1941, p. 300.
Techform Inc., Nov. 1982.

Primary Examiner—Prabhakar G. Deshmukh
Attorney, Agent, or Firm—Conkle & Olesten Professional Law Corp.

[57] CLAIM

The ornamental design for a display package, as shown and described.

DESCRIPTION

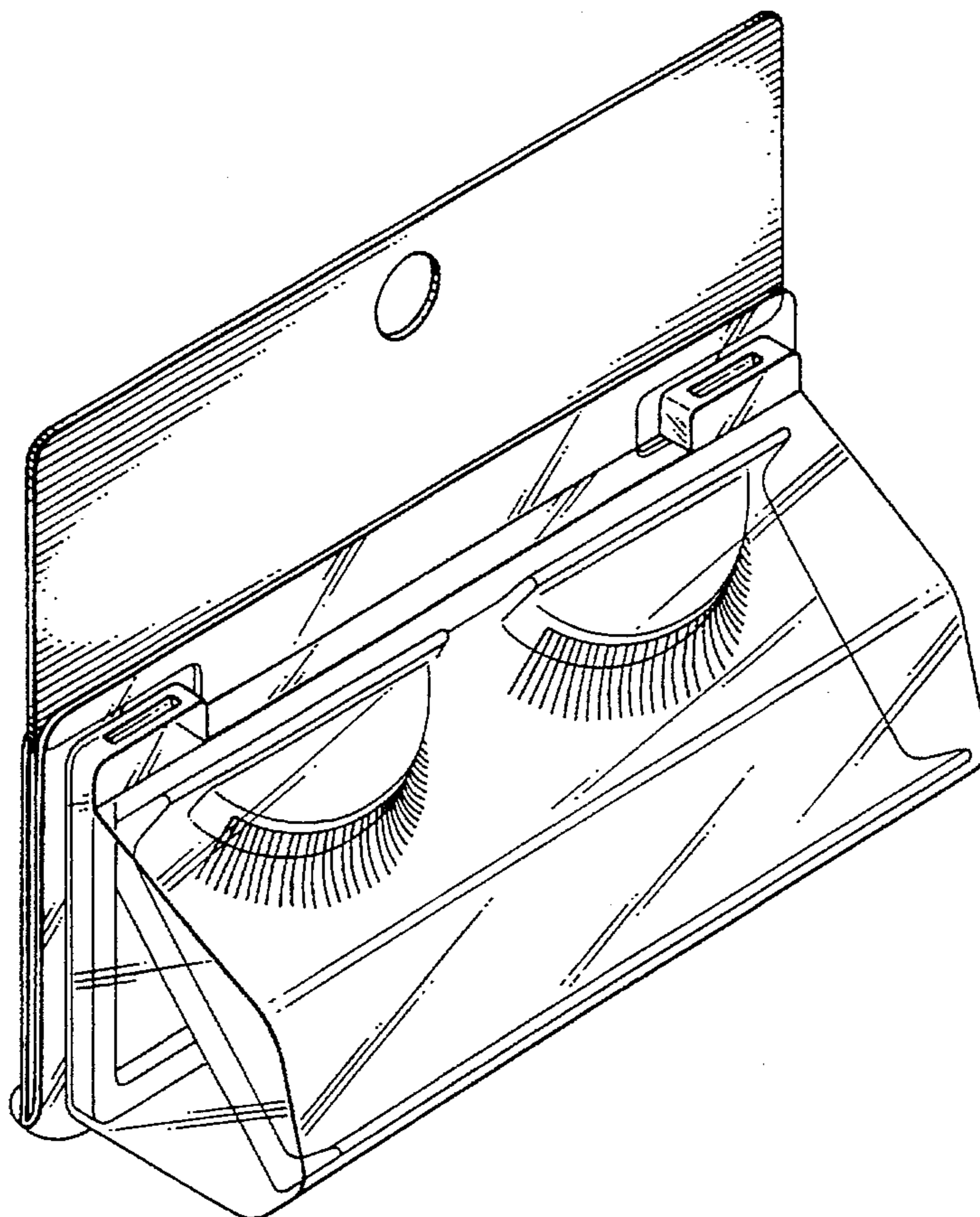
FIG. 1 is a front perspective view of a display package showing my new design;
FIG. 2 is a front elevational view thereof;
FIG. 3 is a left side elevational view thereof;
FIG. 4 is a right side elevational view thereof;
FIG. 5 is a rear elevational view thereof;
FIG. 6 is a top plan view thereof;
FIG. 7 is a bottom plan view thereof; and,
FIG. 8 is a sectional elevational view thereof, taken along line 8—8 of FIG. 2.

1 Claim, 4 Drawing Sheets

[56] **References Cited**

U.S. PATENT DOCUMENTS

D. 227,229	6/1973	Funahashi	D9/415
D. 249,639	9/1978	Hogg et al.	D9/415
D. 278,795	5/1985	Fireman	D9/415 X
D. 282,718	2/1986	Fireman	D9/415 X
D. 319,185	8/1991	Ferrero	D9/418 X
D. 333,613	3/1993	Theros	D9/415
D. 352,894	11/1994	Halaburda et al.	D9/415
D. 364,561	11/1995	Chapman et al.	D9/415
3,259,236	7/1966	Cole	206/776 X



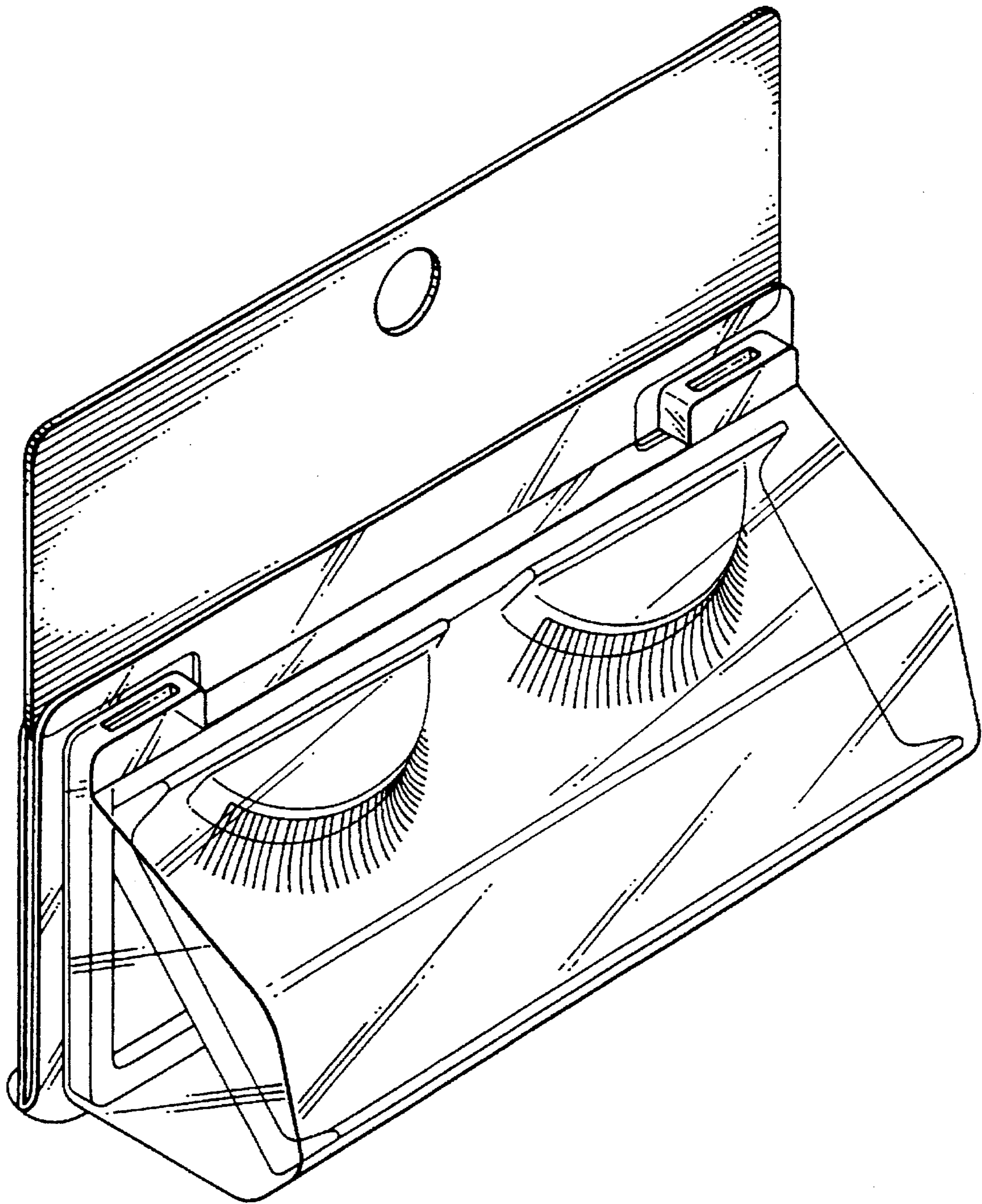


FIG. 1

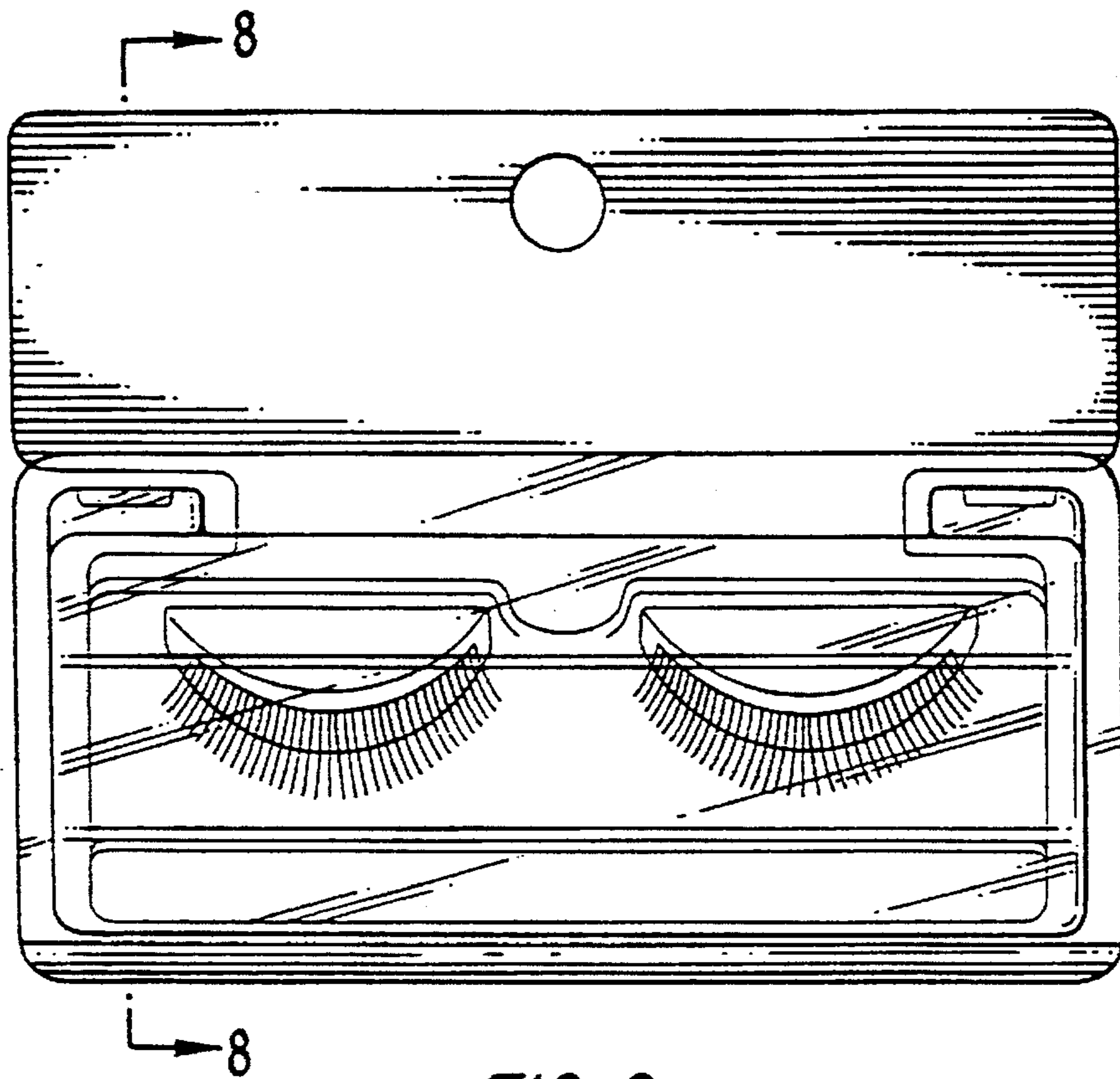


FIG. 2

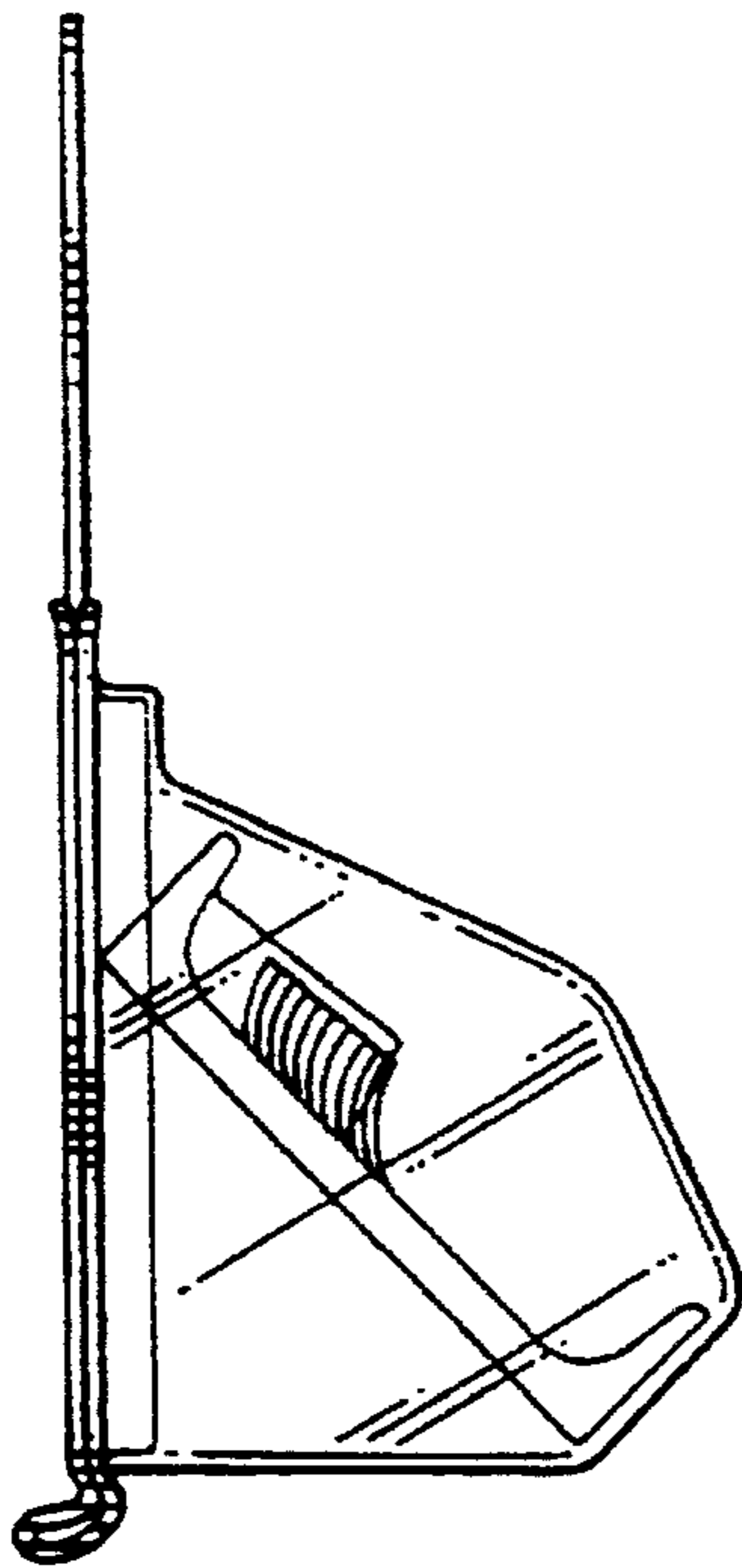


FIG. 3

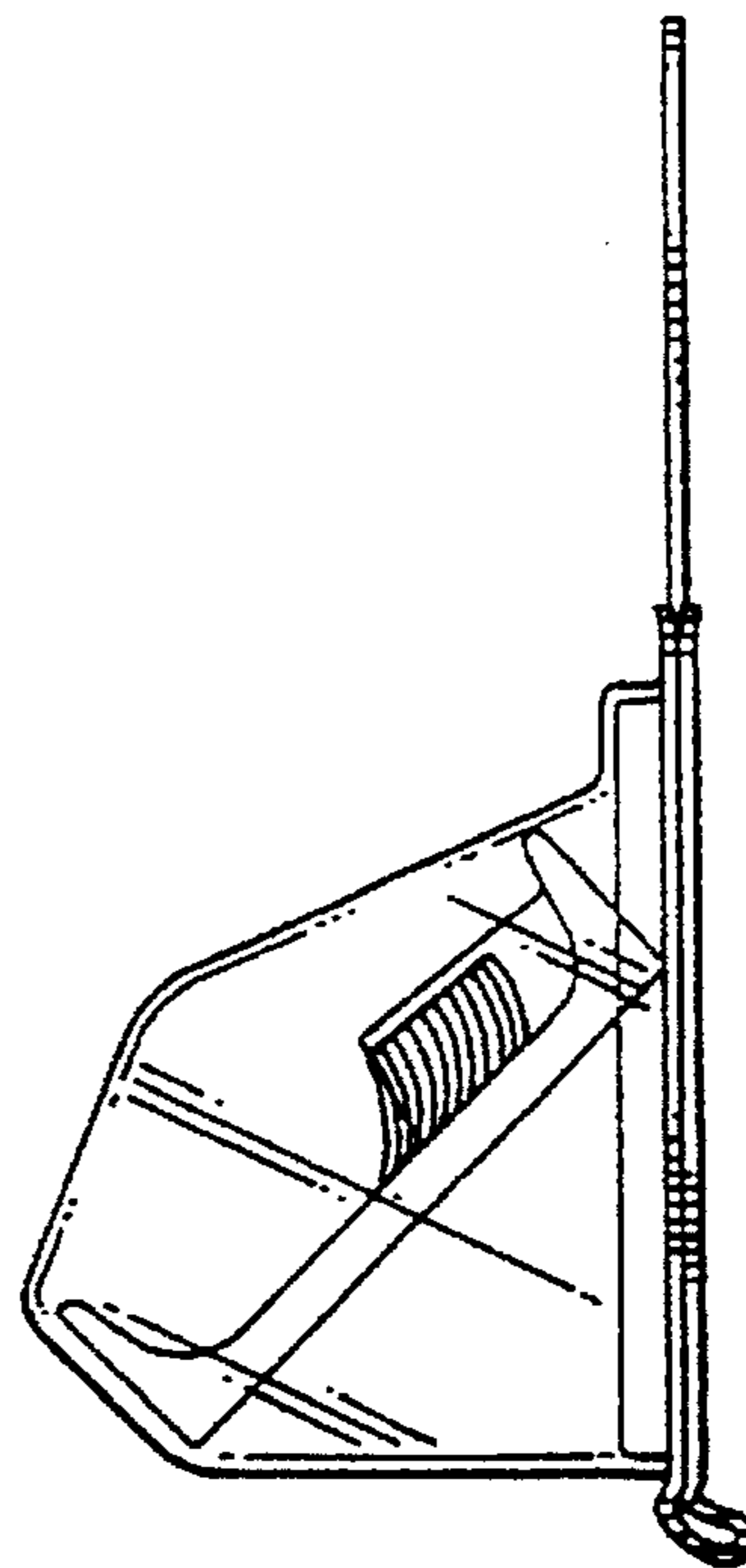


FIG. 4

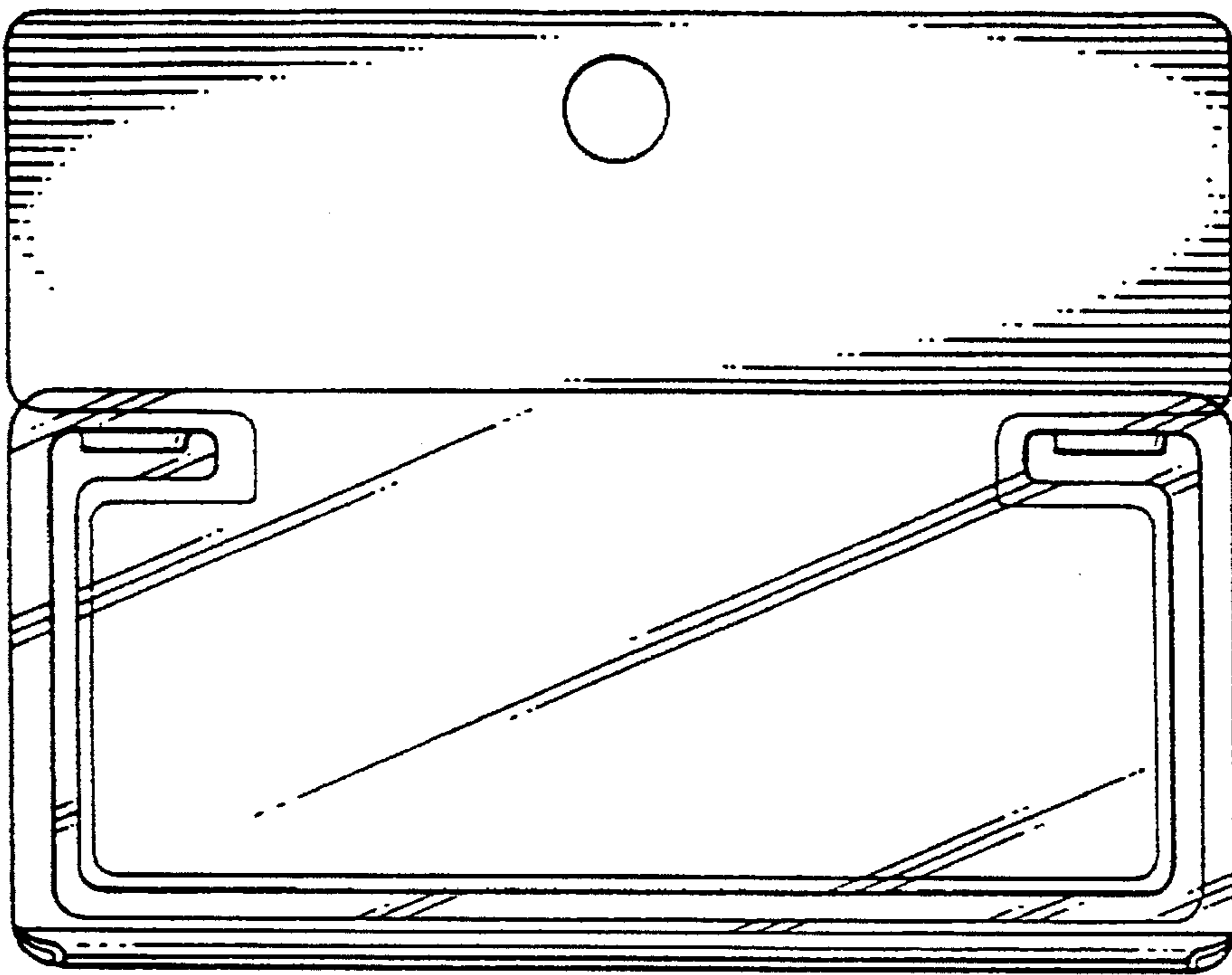


FIG. 5

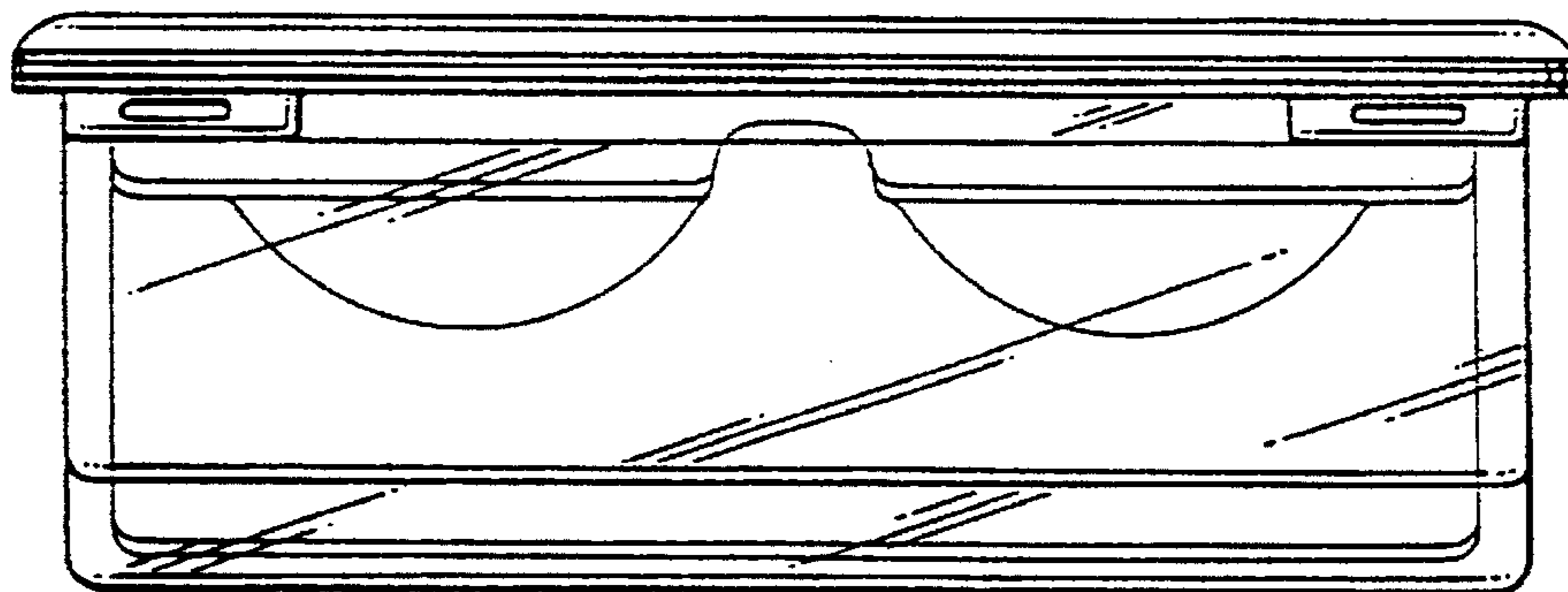


FIG. 6

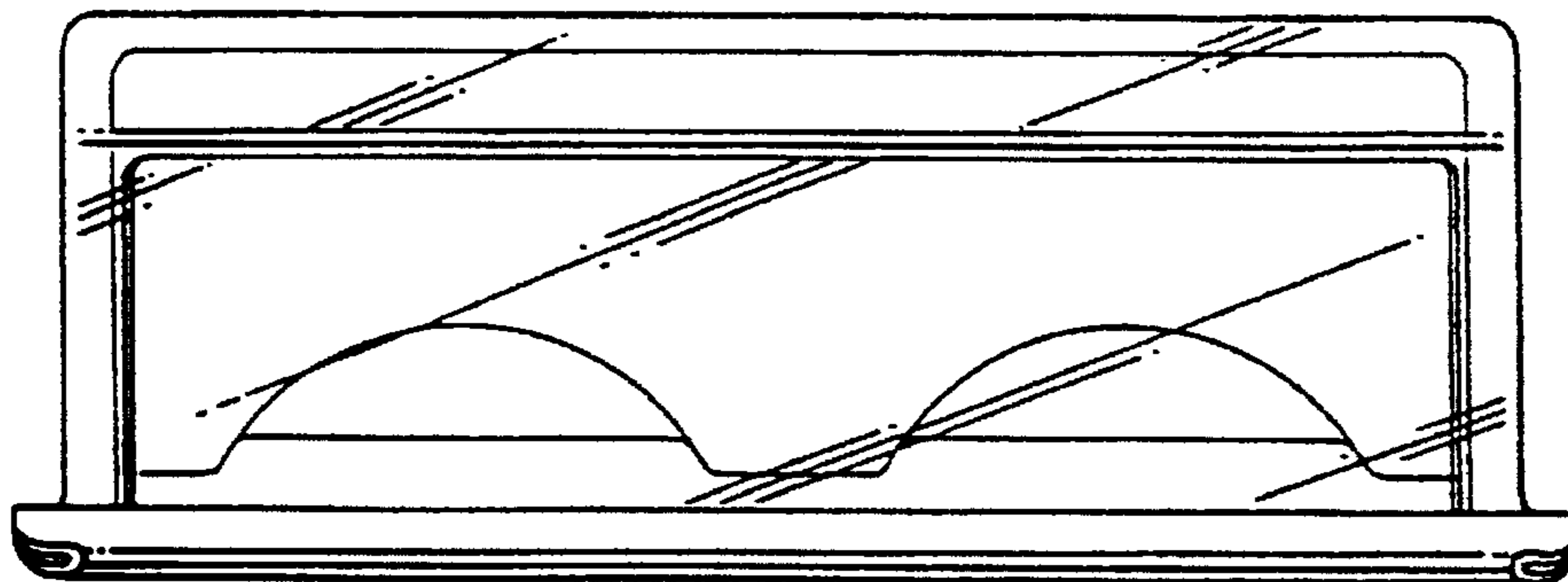


FIG. 7

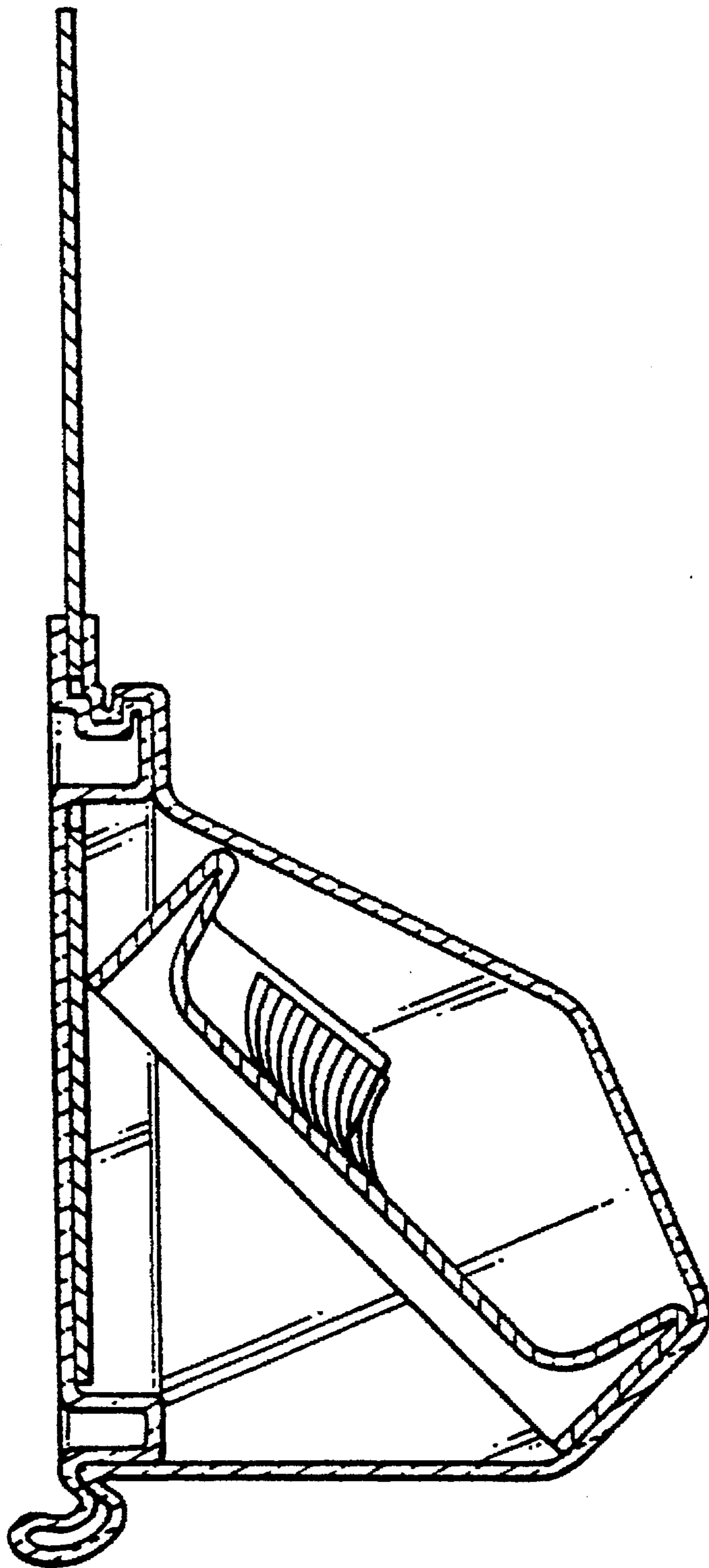


FIG. 8