



US00D382474S

United States Patent [19]
Malmborg

[11] **Patent Number: Des. 382,474**
[45] **Date of Patent: **Aug. 19, 1997**

- [54] **DISPENSING HOUSING WITH BLISTER PACKAGE**
- [75] **Inventor: Bengt Malmborg, Helsingborg, Sweden**
- [73] **Assignee: Pharmacia AB, Stockholm, Sweden**
- [**] **Term: 14 Years**
- [21] **Appl. No.: 48,102**
- [22] **Filed: Dec. 20, 1995**
- [51] **LOC (6) Cl. 09-03**
- [52] **U.S. Cl. D9/341; D9/423**
- [58] **Field of Search D3/203; D9/339, D9/341, 414, 420, 423, 424; 206/531, 534, 538; 220/4.23, 326, 337, 338, 343**

[56] **References Cited**

U.S. PATENT DOCUMENTS

D. 279,258	6/1985	Curtis	D9/341	X
3,570,707	3/1971	Finkel	D9/341	X
3,651,927	3/1972	Richardson et al.	206/531	X
4,646,936	3/1987	Frazier et al.	206/534	X
4,706,815	11/1987	Chrtis et al.	206/531	
5,020,671	6/1991	Smith et al.	206/534	

Primary Examiner—Sandra L. Morris
Assistant Examiner—Nanda Bondade
Attorney, Agent, or Firm—Birch, Stewart, Kolasch & Birch, LLP

[57] **CLAIM**

The ornamental design for a dispensing housing with blister package, as shown and described.

DESCRIPTION

FIG. 1 is a front perspective view of a dispensing housing with blister package showing my new design, the dispensing housing is shown separately for clarity of illustration;

FIG. 2 is rear perspective view of thereof;

FIG. 3 is a perspective view thereof, shown in an open position, for clarity of illustration;

FIG. 4 is a rear perspective view of FIG. 3;

FIG. 5 is a front perspective view of FIG. 1, with the blister package;

FIG. 6 is a rear perspective view of FIG. 5;

FIG. 7 is a perspective view of FIG. 5 shown in an open position for clarity of illustration;

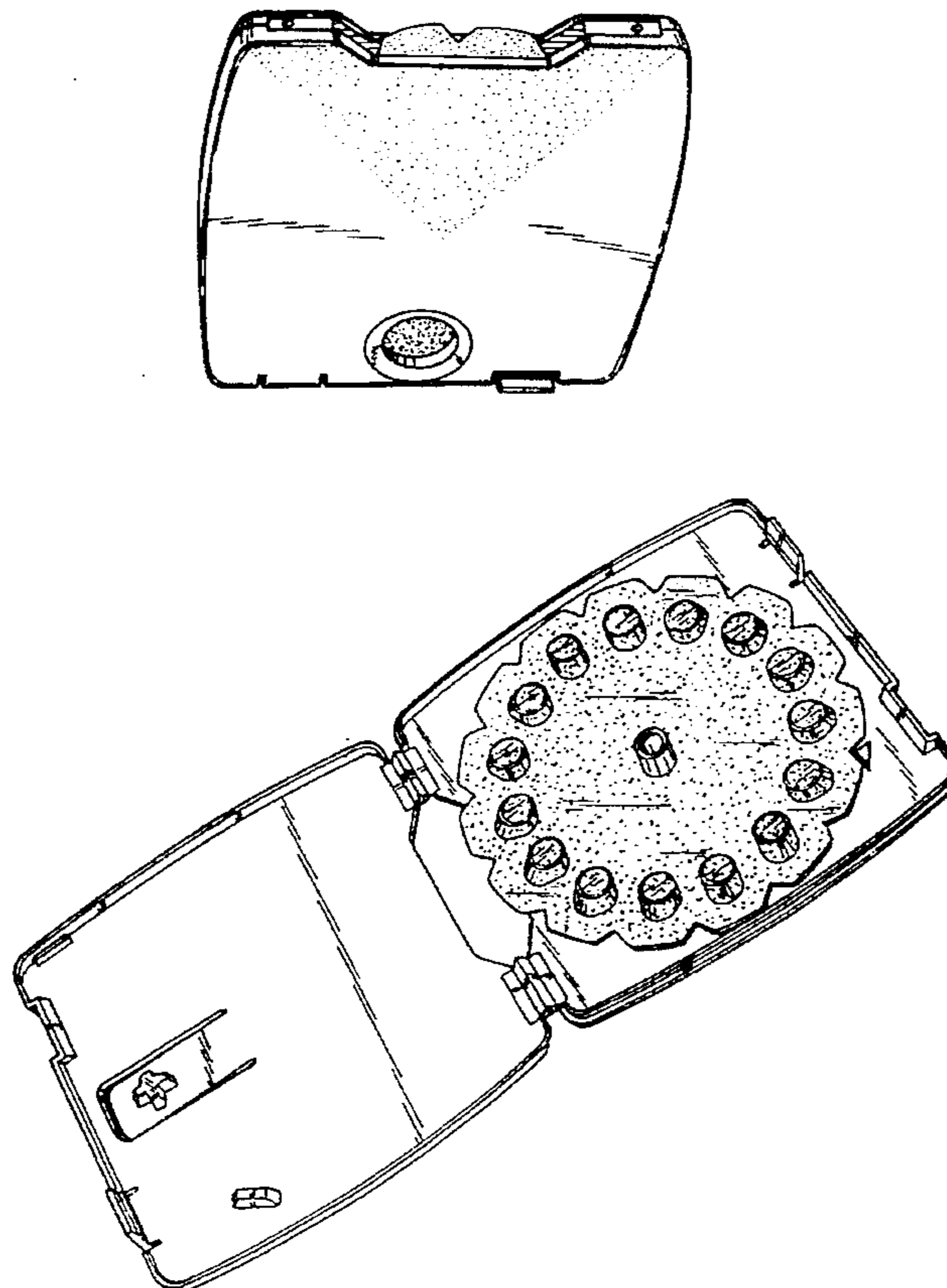
FIG. 8 is a rear perspective view of FIG. 7;

FIG. 9 is a perspective view of blister package, shown separately for clarity of illustration;

FIG. 10 is a front view of FIG. 9; and,

FIG. 11 is a rear view of FIG. 9.

1 Claim, 5 Drawing Sheets



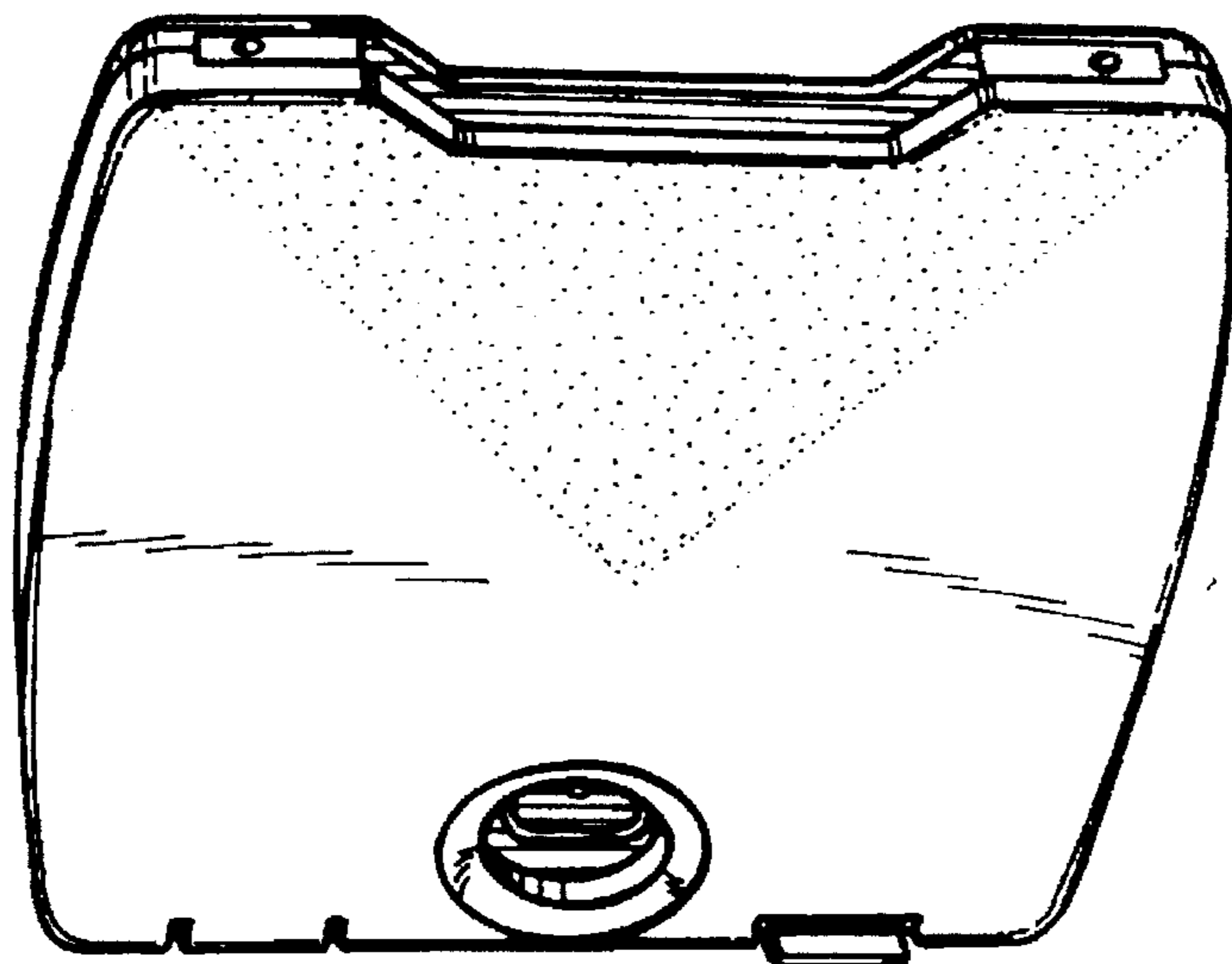


FIG. 1

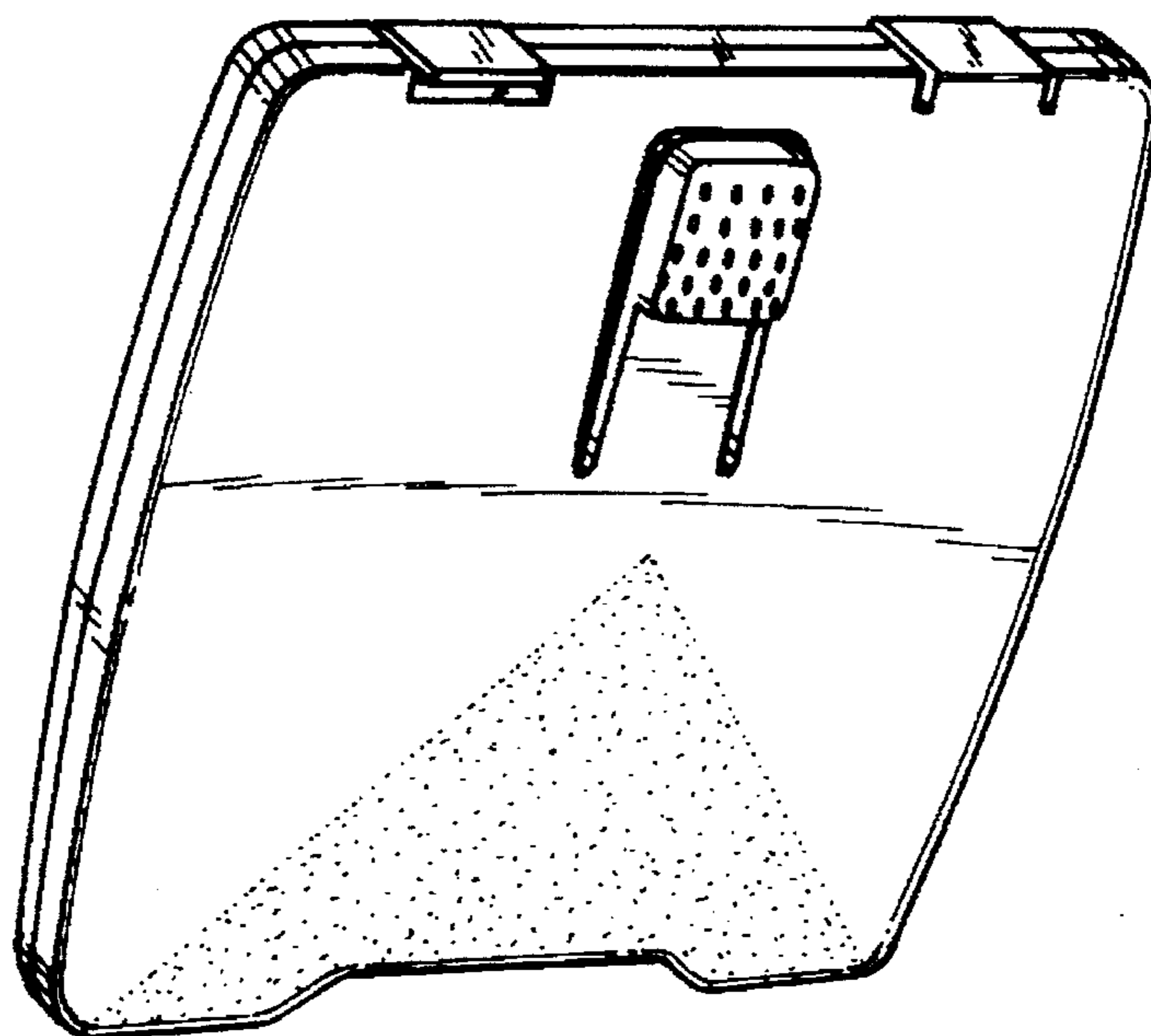


FIG. 2

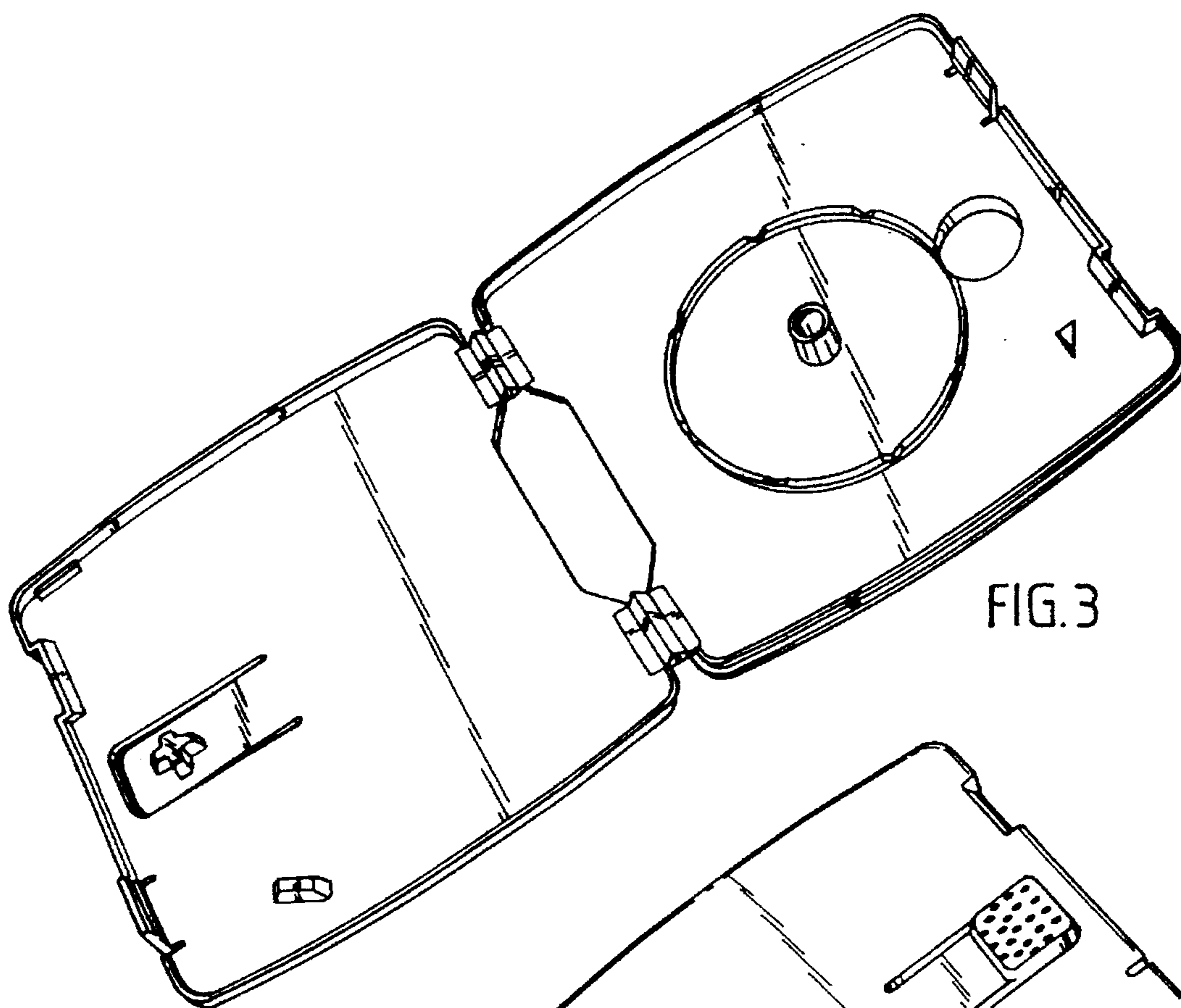


FIG. 3

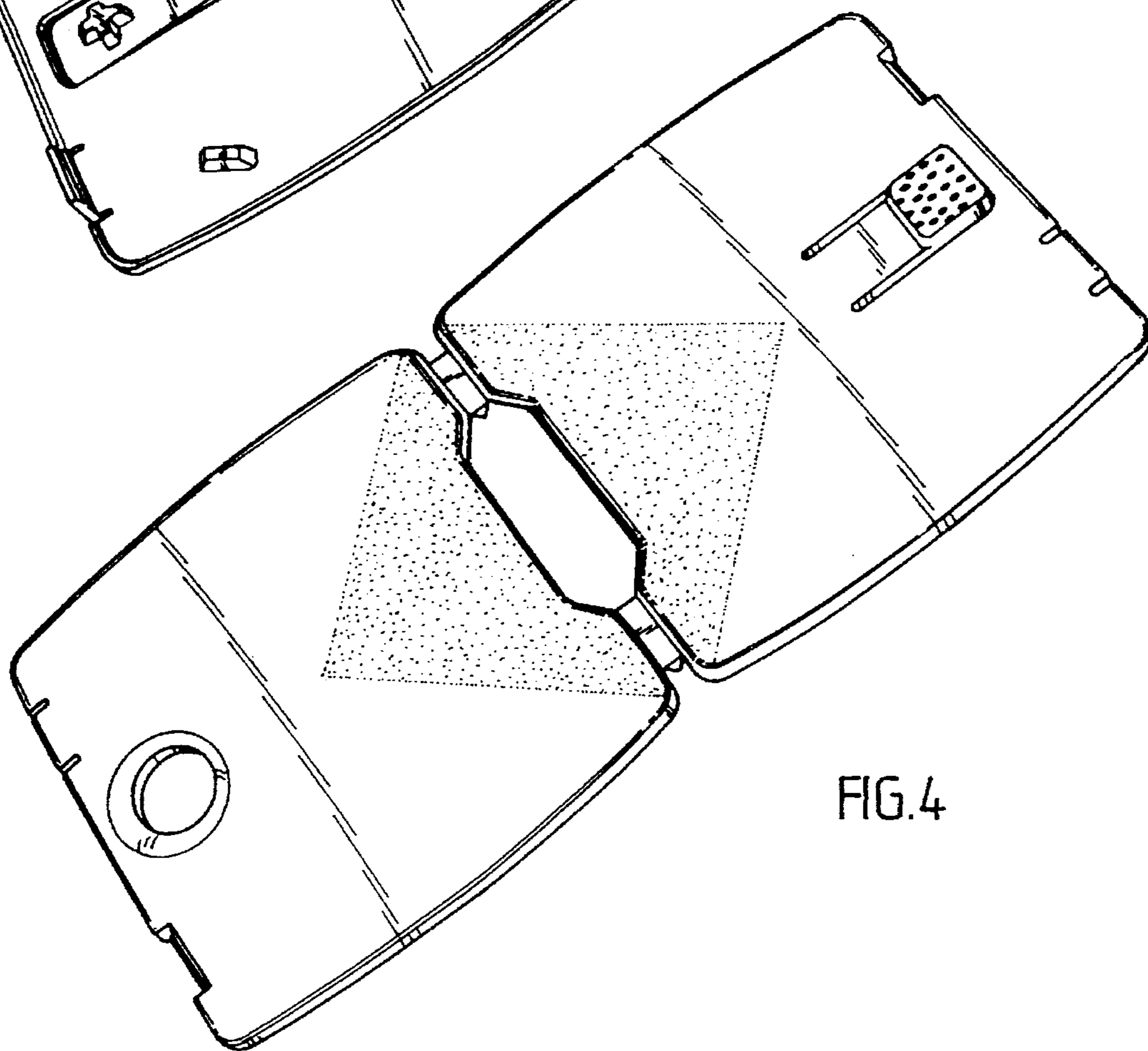


FIG. 4

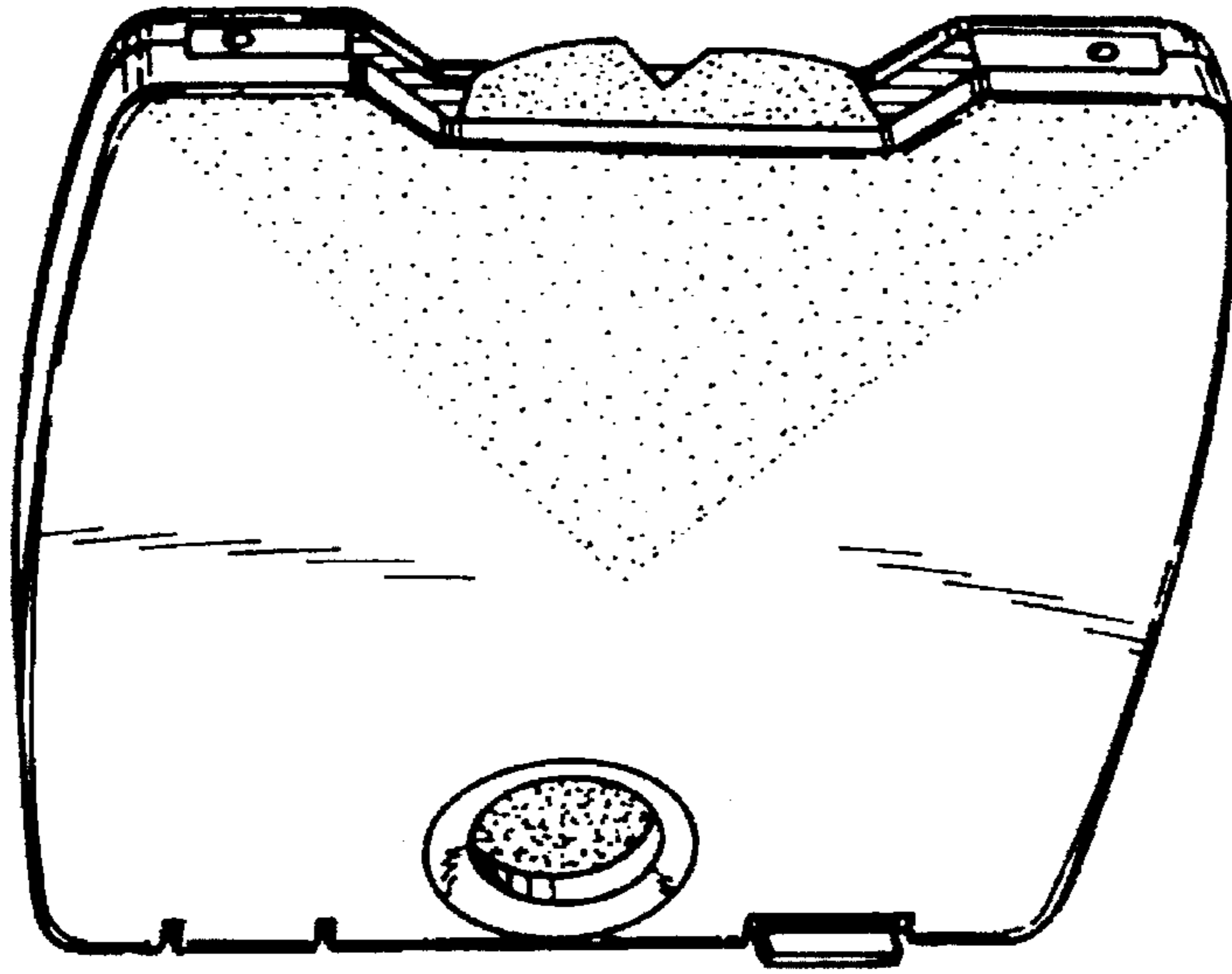


FIG. 5

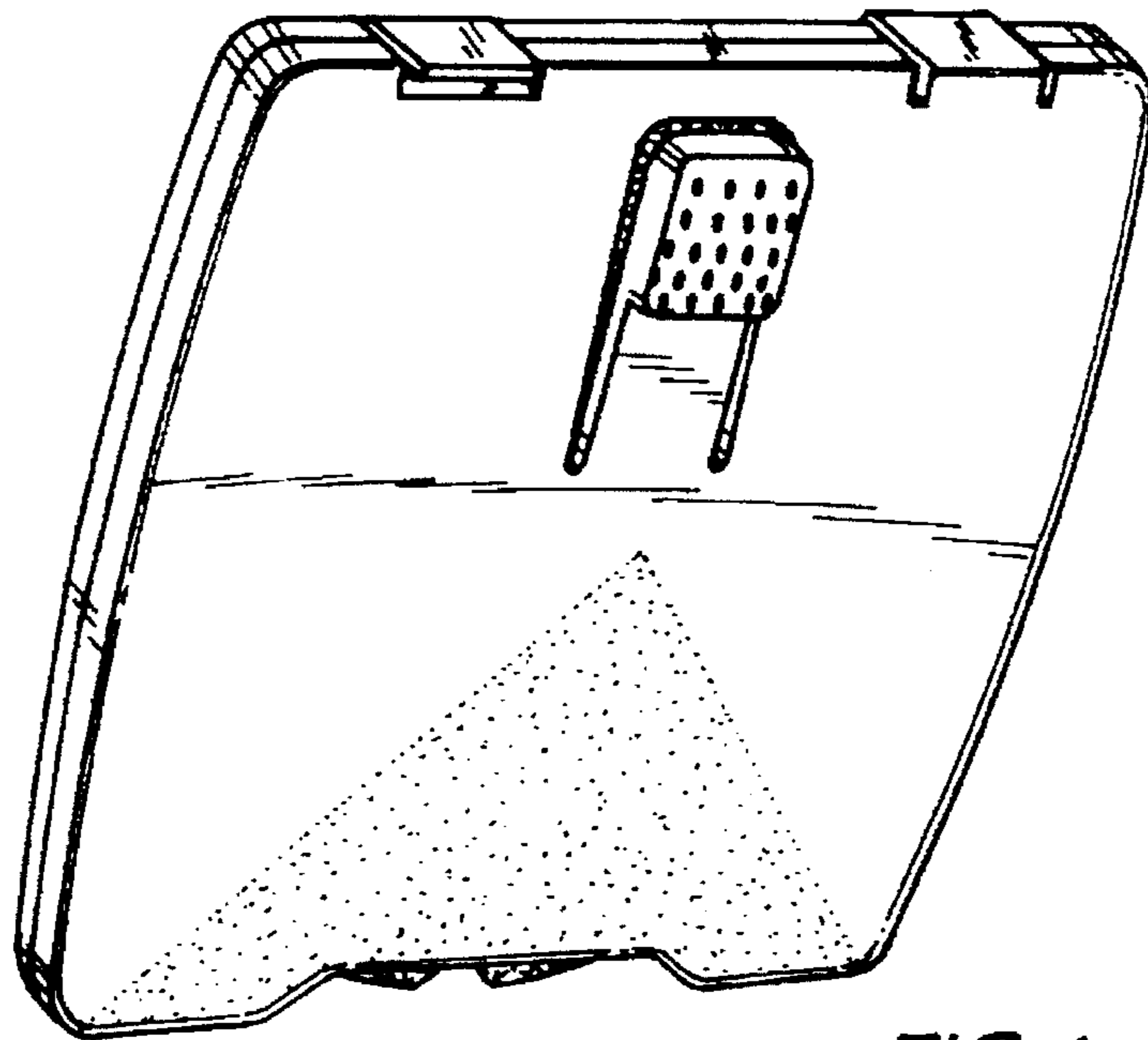


FIG. 6

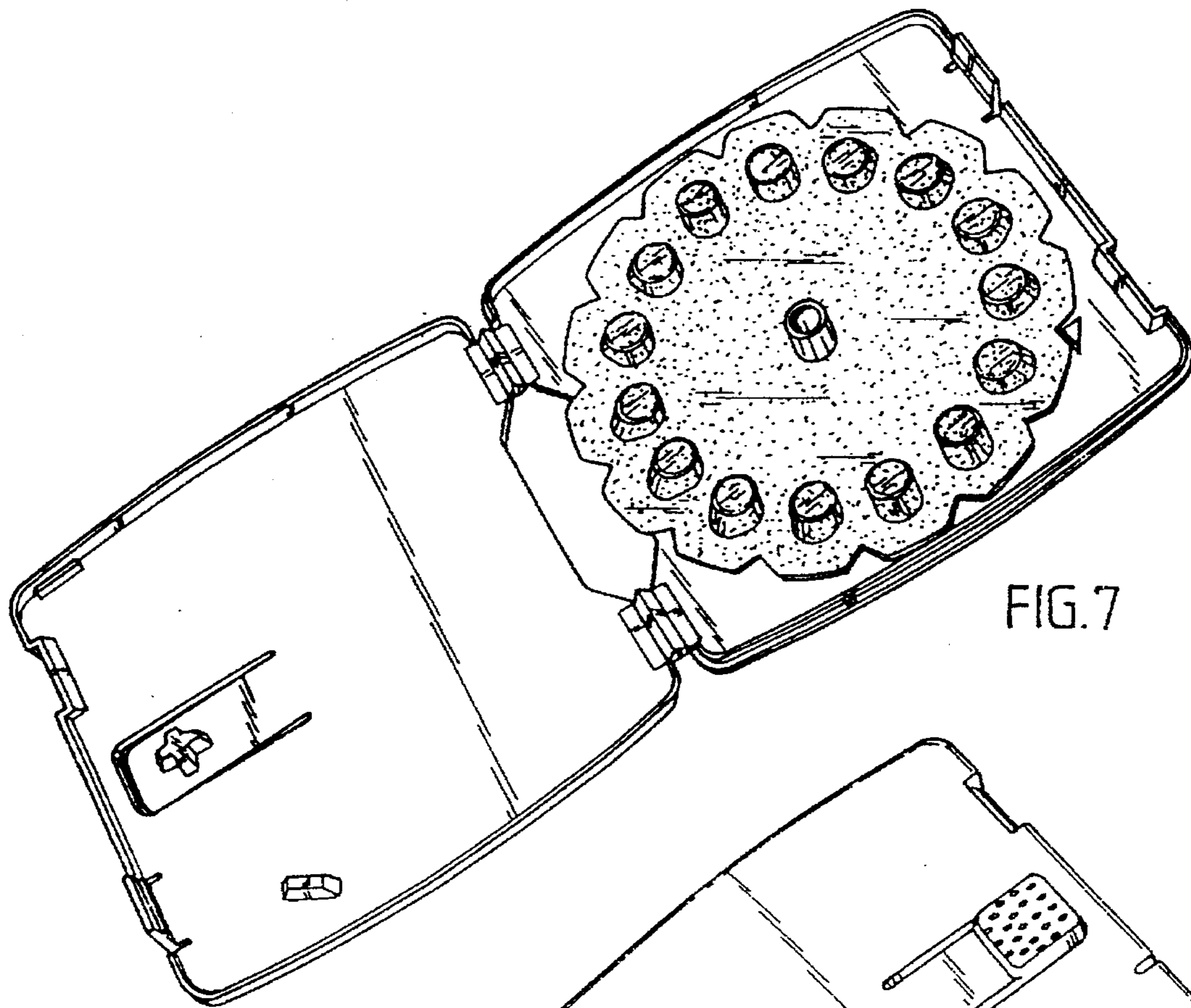


FIG. 7

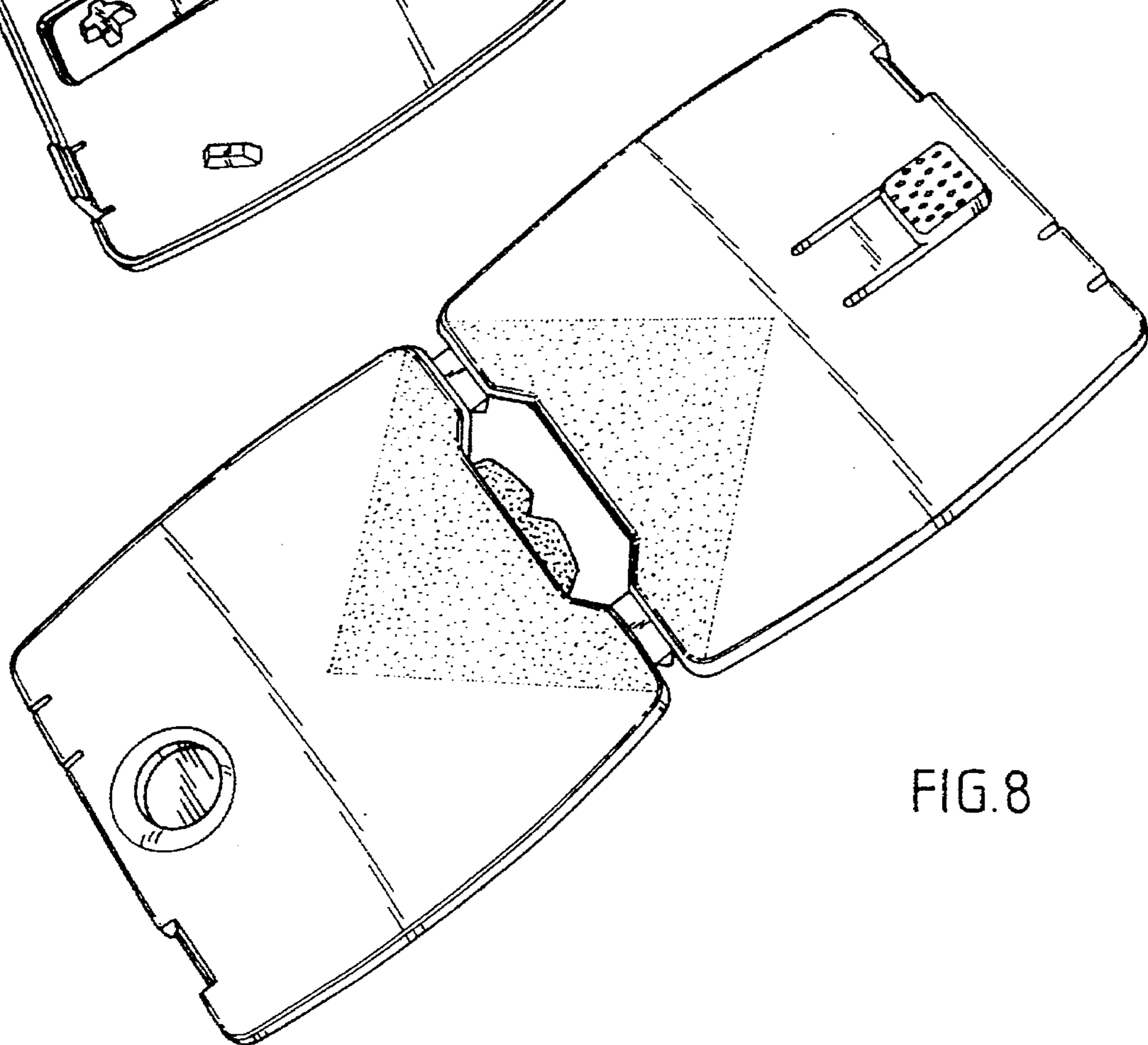


FIG. 8

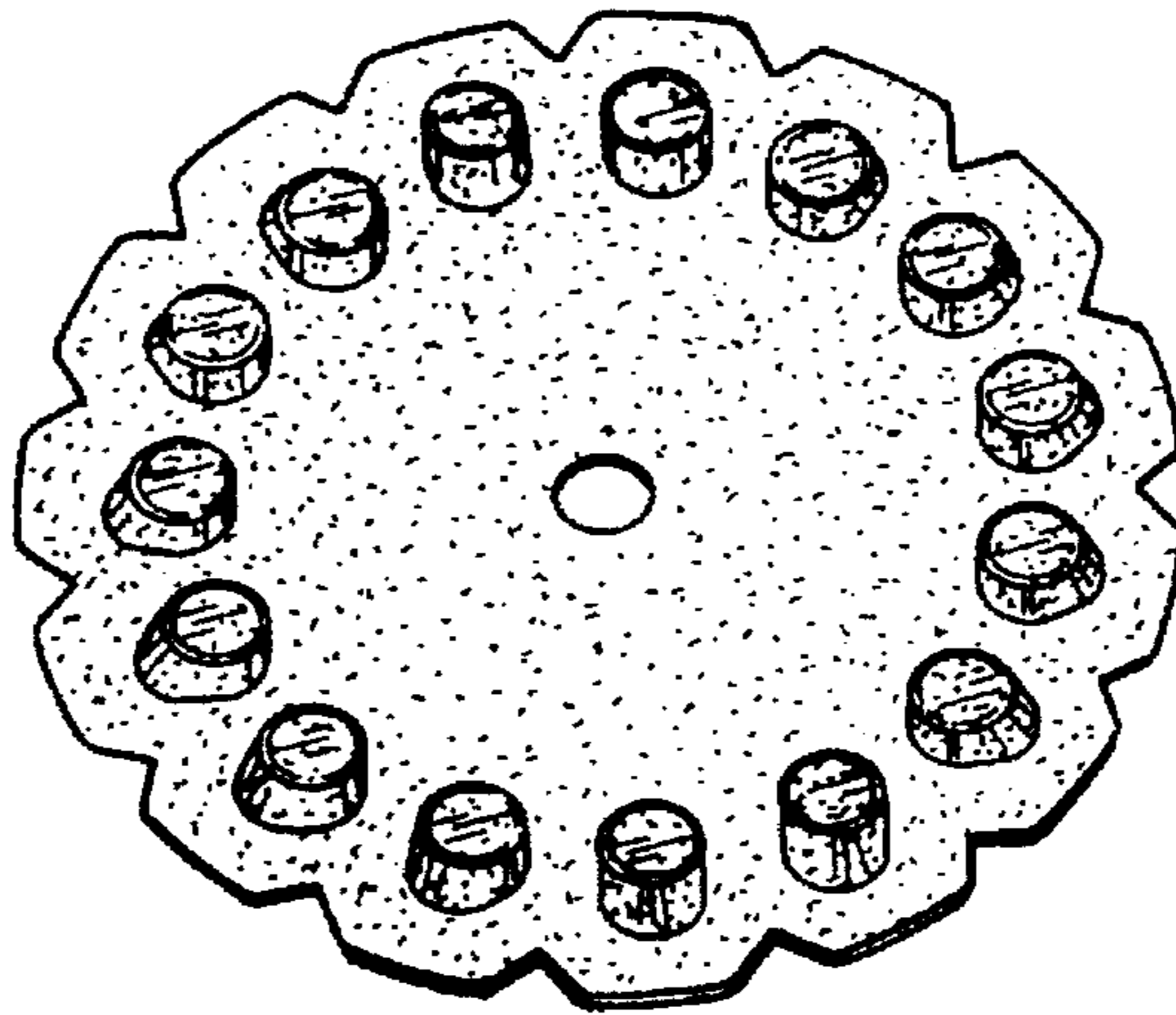


FIG. 9

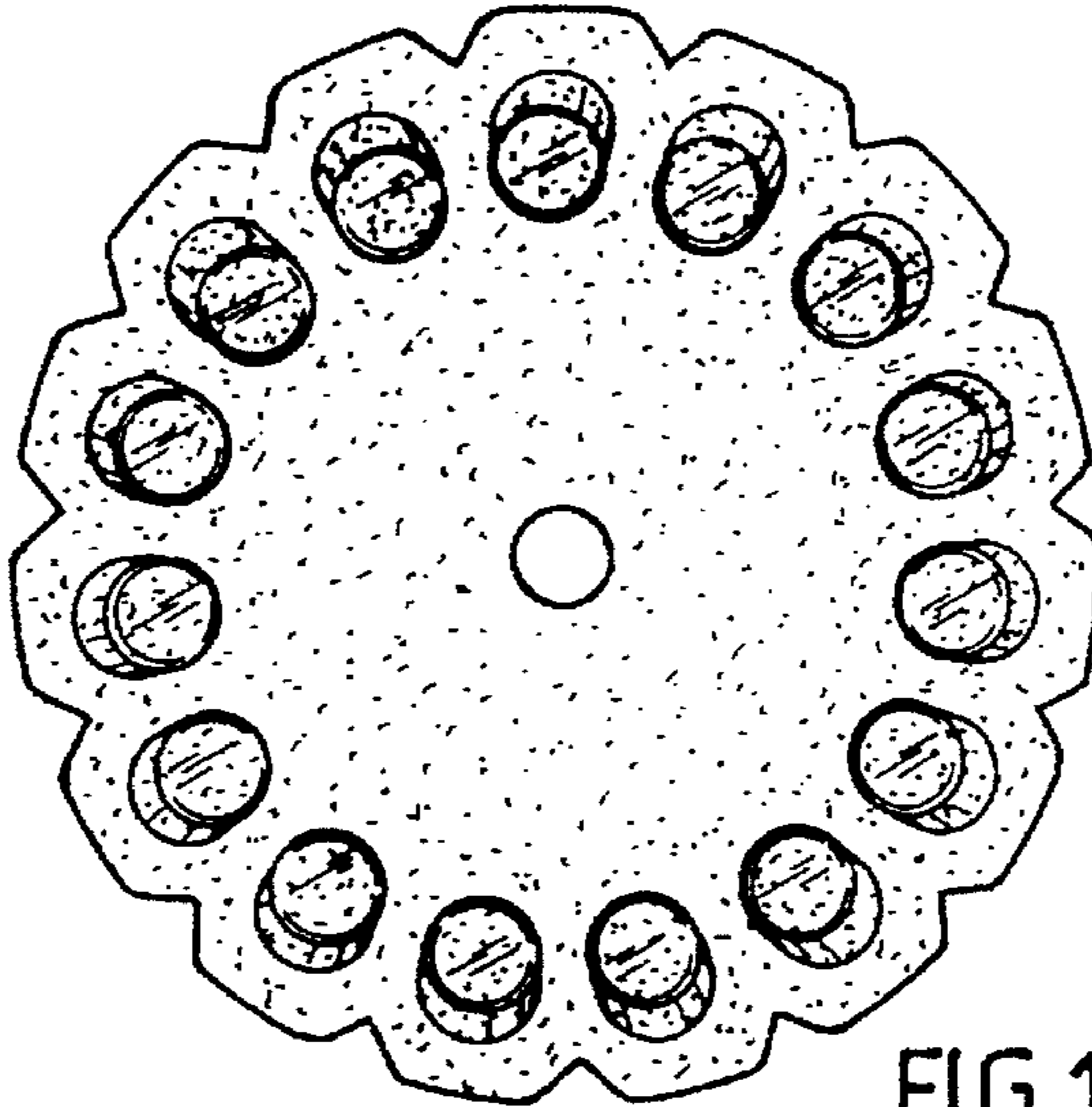


FIG. 10

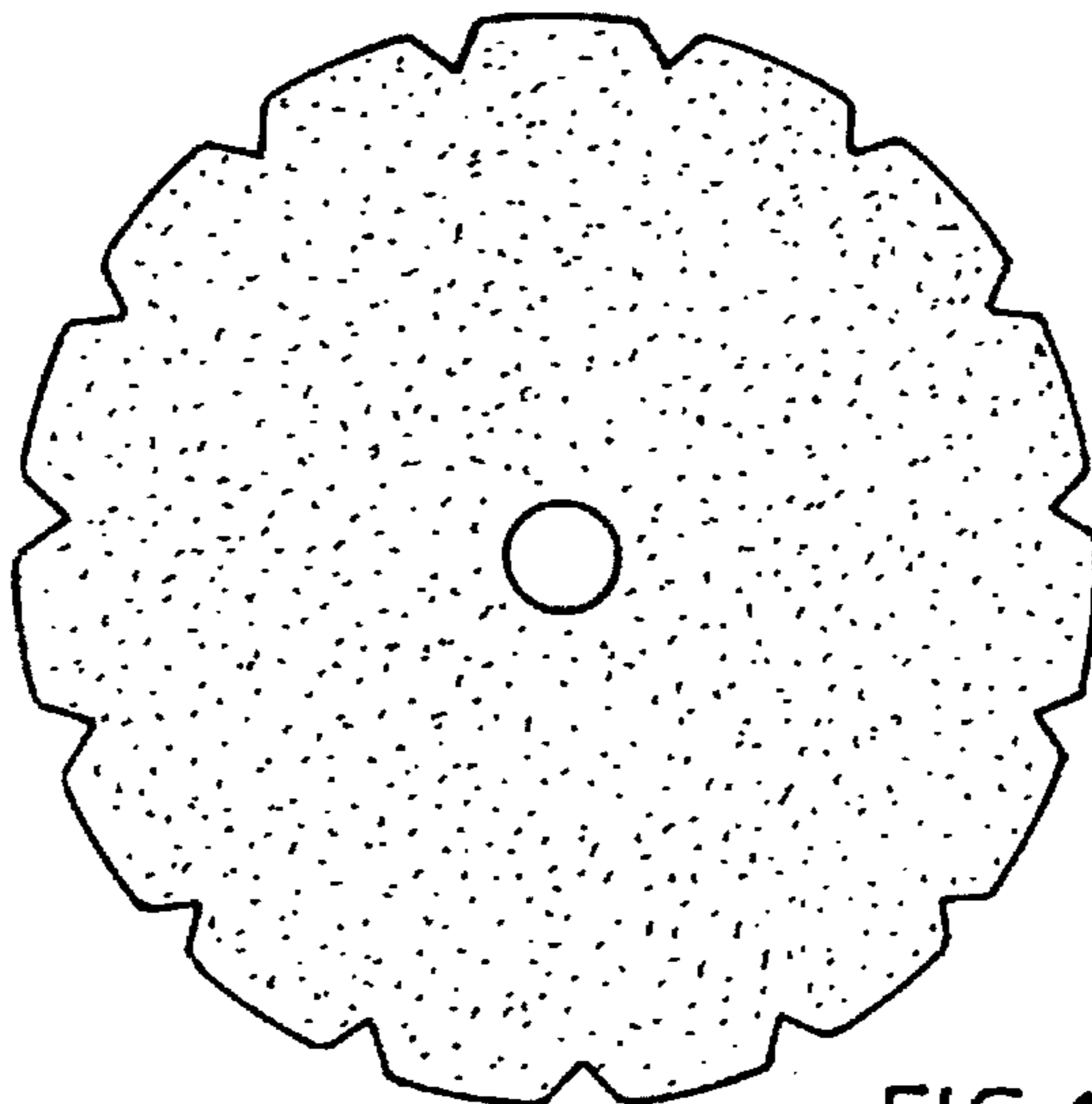


FIG. 11