



US00D382473S

United States Patent [19] Egender

[11] Patent Number: Des. 382,473

[45] Date of Patent: **Aug. 19, 1997

[54] CONTAINER

[75] Inventor: Jimmie J. Egender, Kansas City, Mo.

[73] Assignee: Jimini Packaging, Inc., Kansas City, Mo.

[**] Term: 14 Years

[21] Appl. No.: 49,924

[22] Filed: Feb. 5, 1996

[51] LOC (6) Cl. 09-03

[52] U.S. Cl. D9/320; D7/613; D9/307; D99/37

[58] Field of Search D9/320, 307; D29/102, D29/106; D7/612, 613, 539; D99/37; 206/457

[56] **References Cited**

U.S. PATENT DOCUMENTS

D. 209,219	11/1967	Goldstein et al.	D99/37
D. 232,011	7/1974	Denton	D29/106 X
D. 314,492	2/1991	Weller et al.	D9/320 X
D. 343,093	1/1994	Sabin et al.	D7/612
D. 344,659	3/1994	Hsu	D9/307 X
D. 346,110	4/1994	Hale	D9/316
D. 349,630	8/1994	Redmon	D9/307 X
D. 369,529	5/1996	Blankenburg et al.	D29/106 X

4,566,292 1/1986 Parmet D9/320 X

Primary Examiner—Prabhakar G. Deshmukh
Assistant Examiner—Cheri Cohen

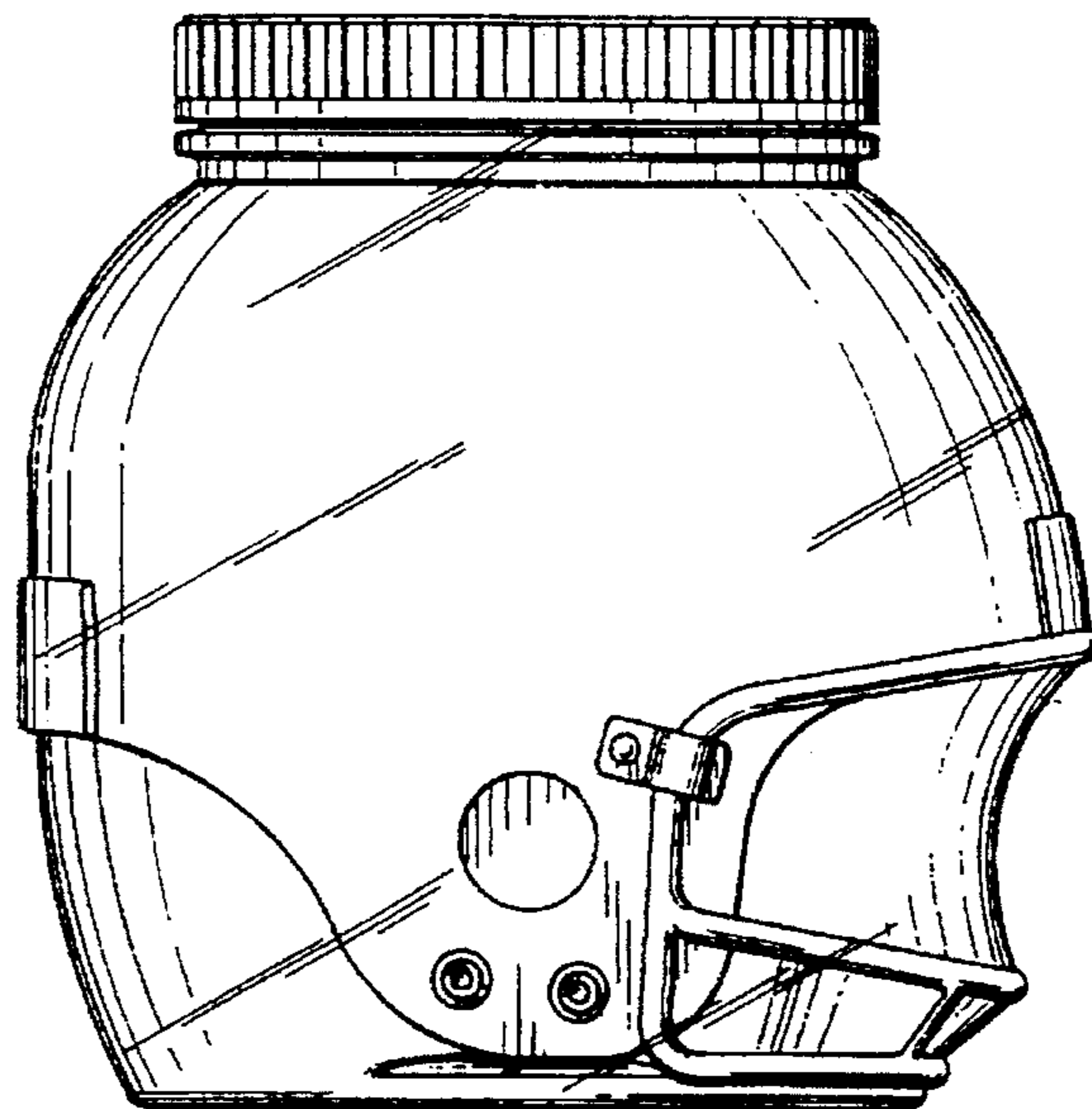
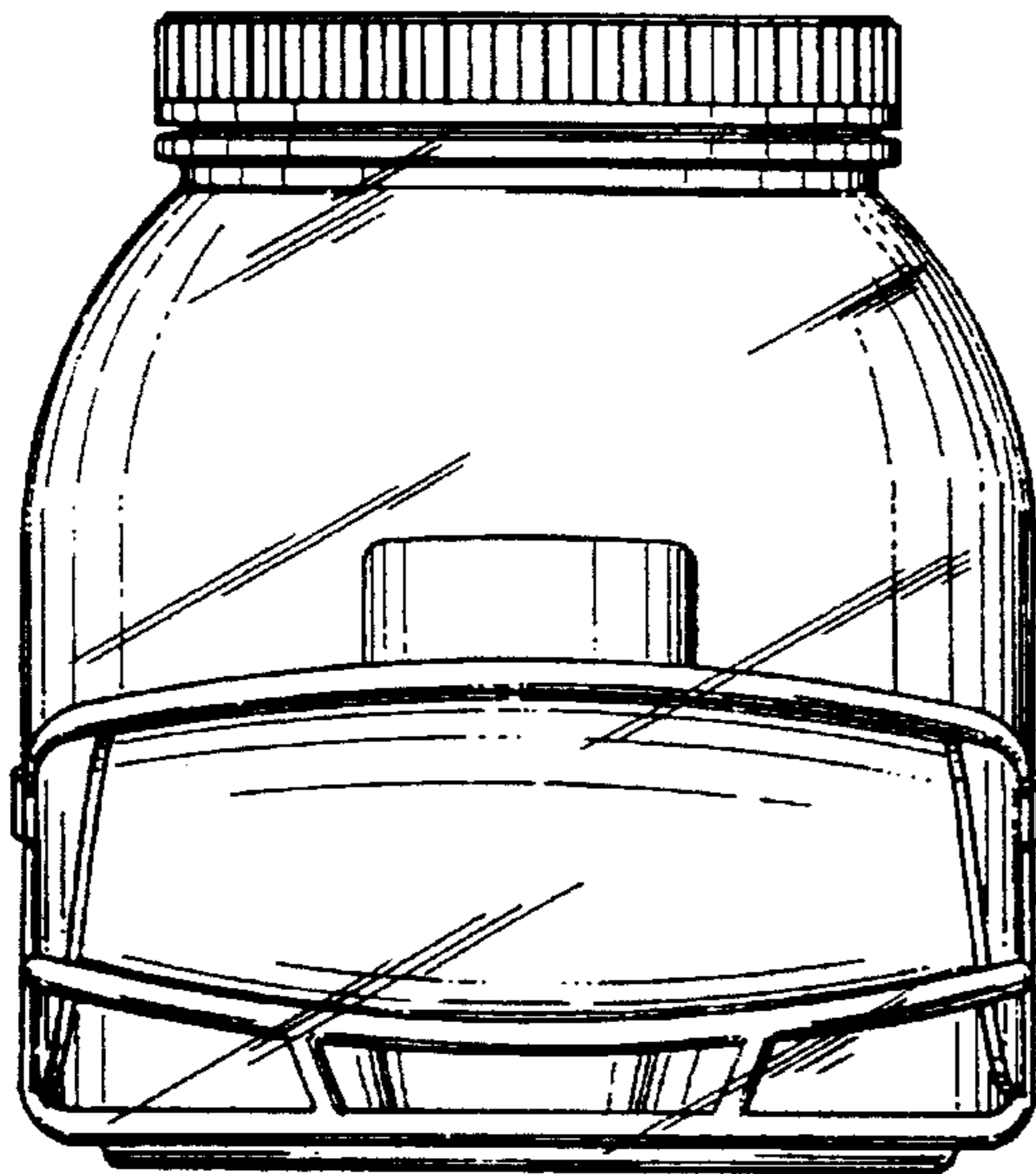
[57] **CLAIM**

The ornamental design for a container, as shown and described.

DESCRIPTION

FIG. 1 is a front elevation view of a container according to the present invention;
 FIG. 2 is a side elevation view, the opposite side being a mirror image thereof;
 FIG. 3 is a rear elevation view thereof;
 FIG. 4 is a top plan view of FIG. 1;
 FIG. 5 is a bottom plan view of FIG. 1;
 FIG. 6 is a front elevation view of a second embodiment of the present invention;
 FIG. 7 is a side elevation view, the opposite side being a mirror image thereof;
 FIG. 8 is a rear elevation view thereof;
 FIG. 9 is a top plan view of FIG. 6; and,
 FIG. 10 is a bottom plan view of FIG. 6.
 The broken line showing of the coin slot in FIGS. 4 and 10 is for illustrative purposes only and forms no part of the claimed design.

1 Claim, 2 Drawing Sheets



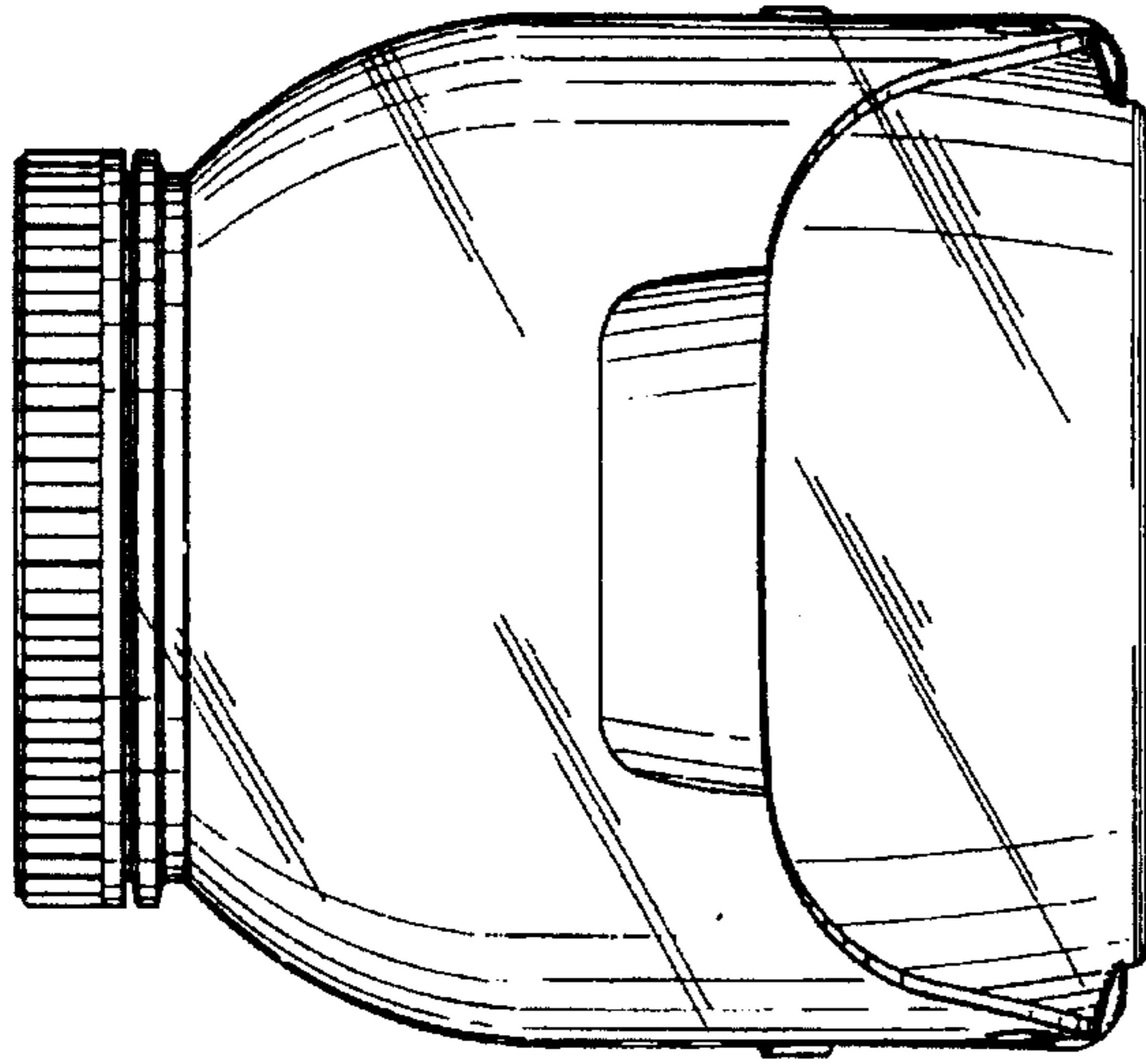


Fig. 1.

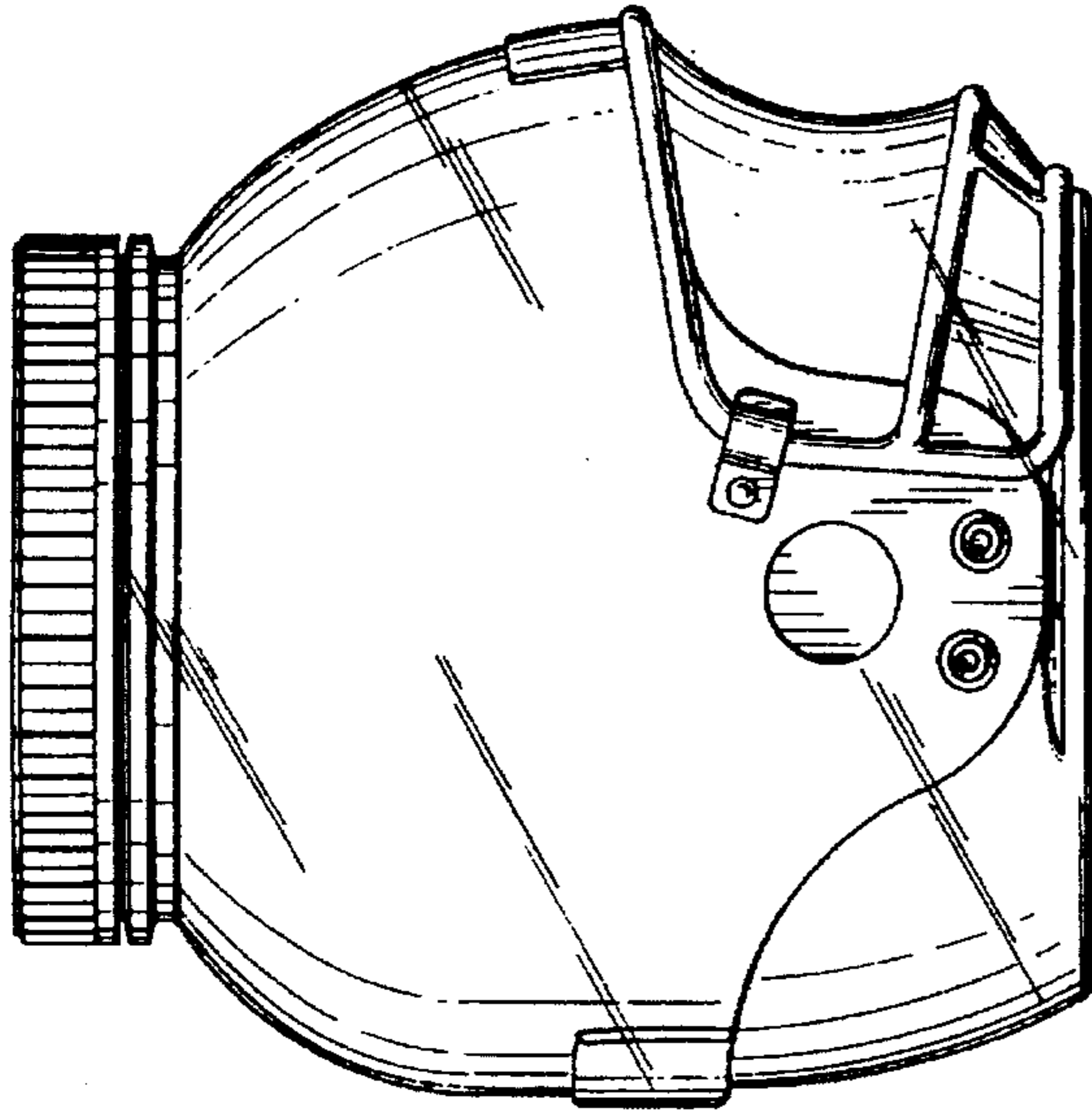


Fig. 2.

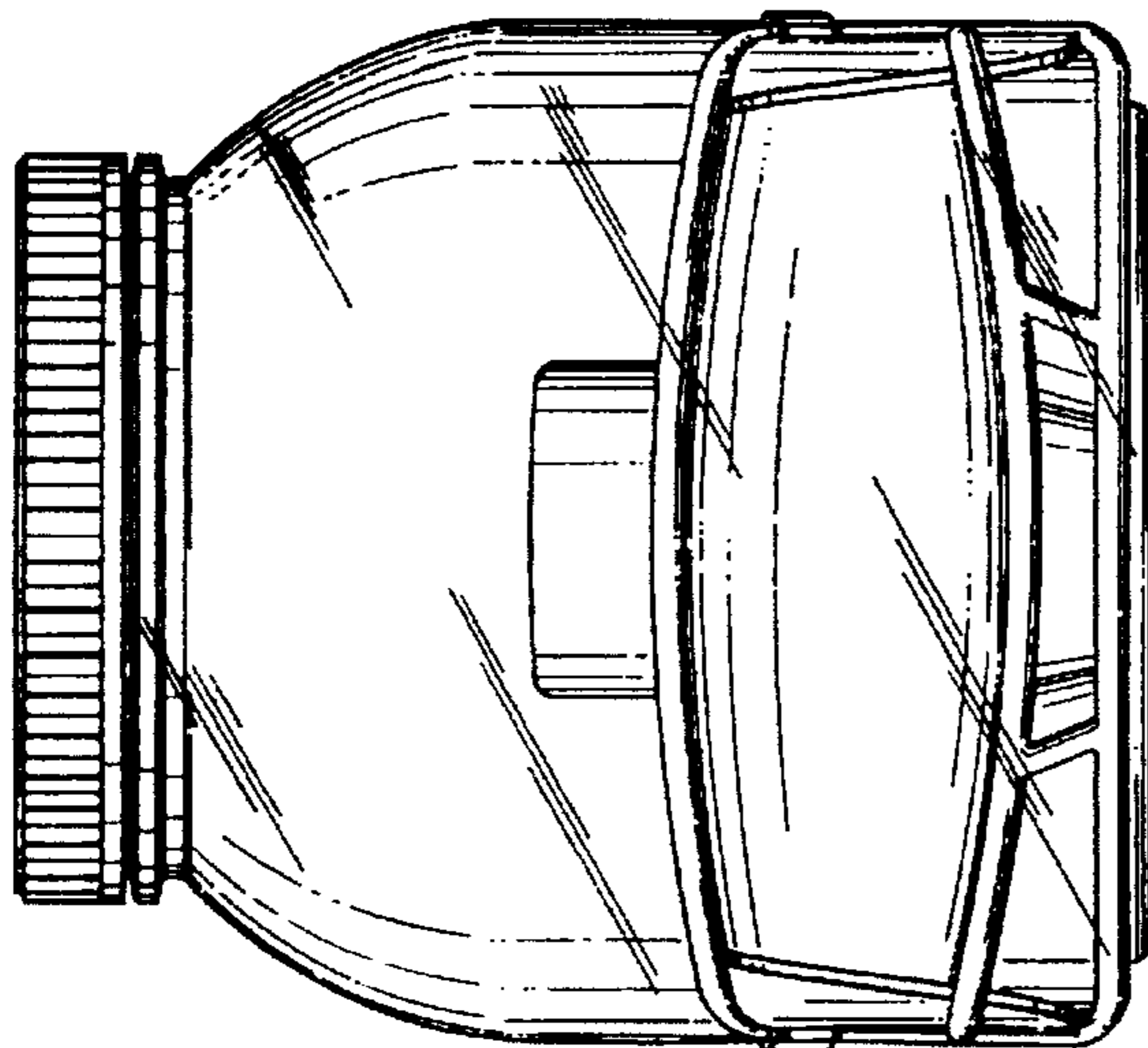


Fig. 3.

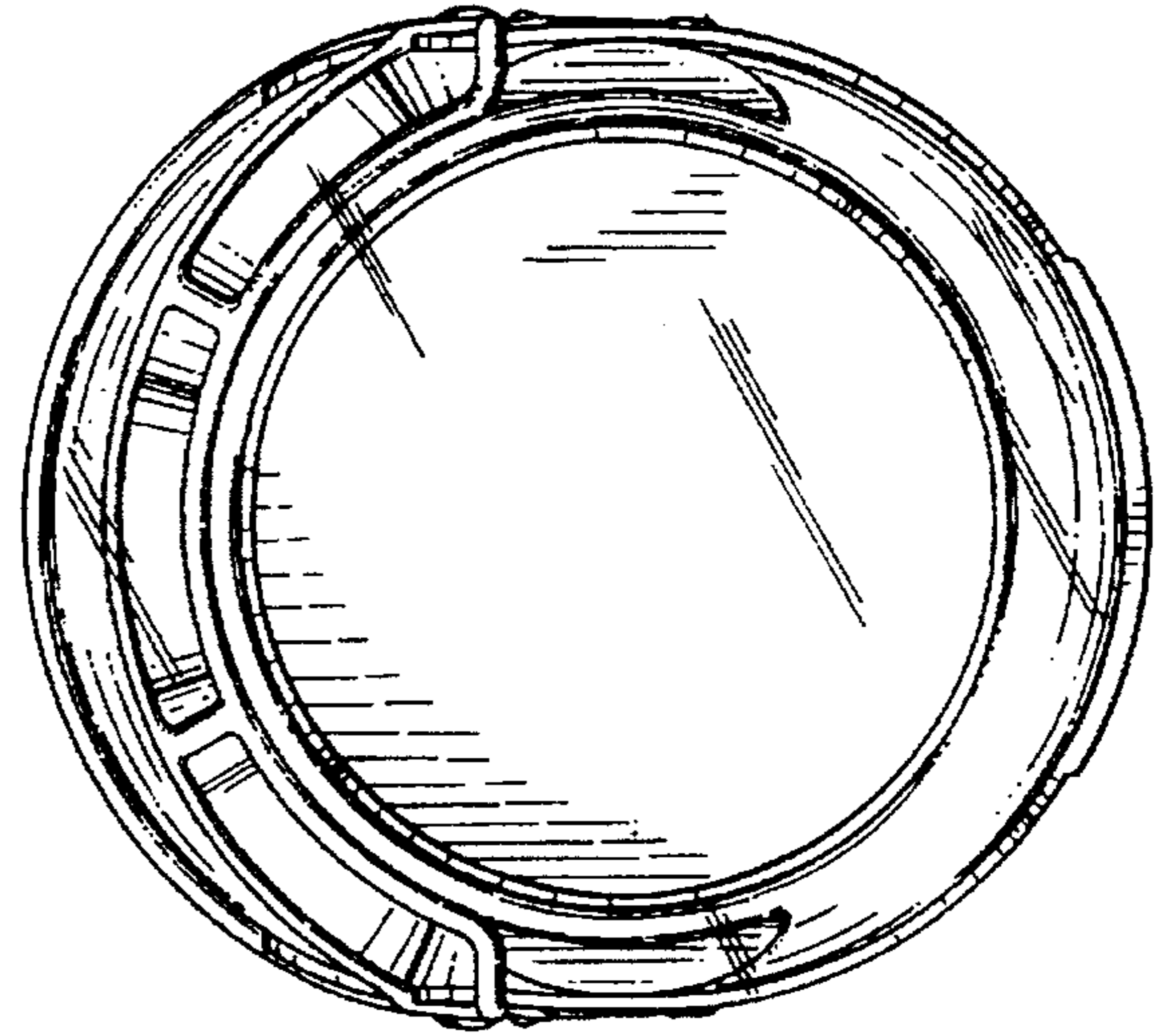


Fig. 4.

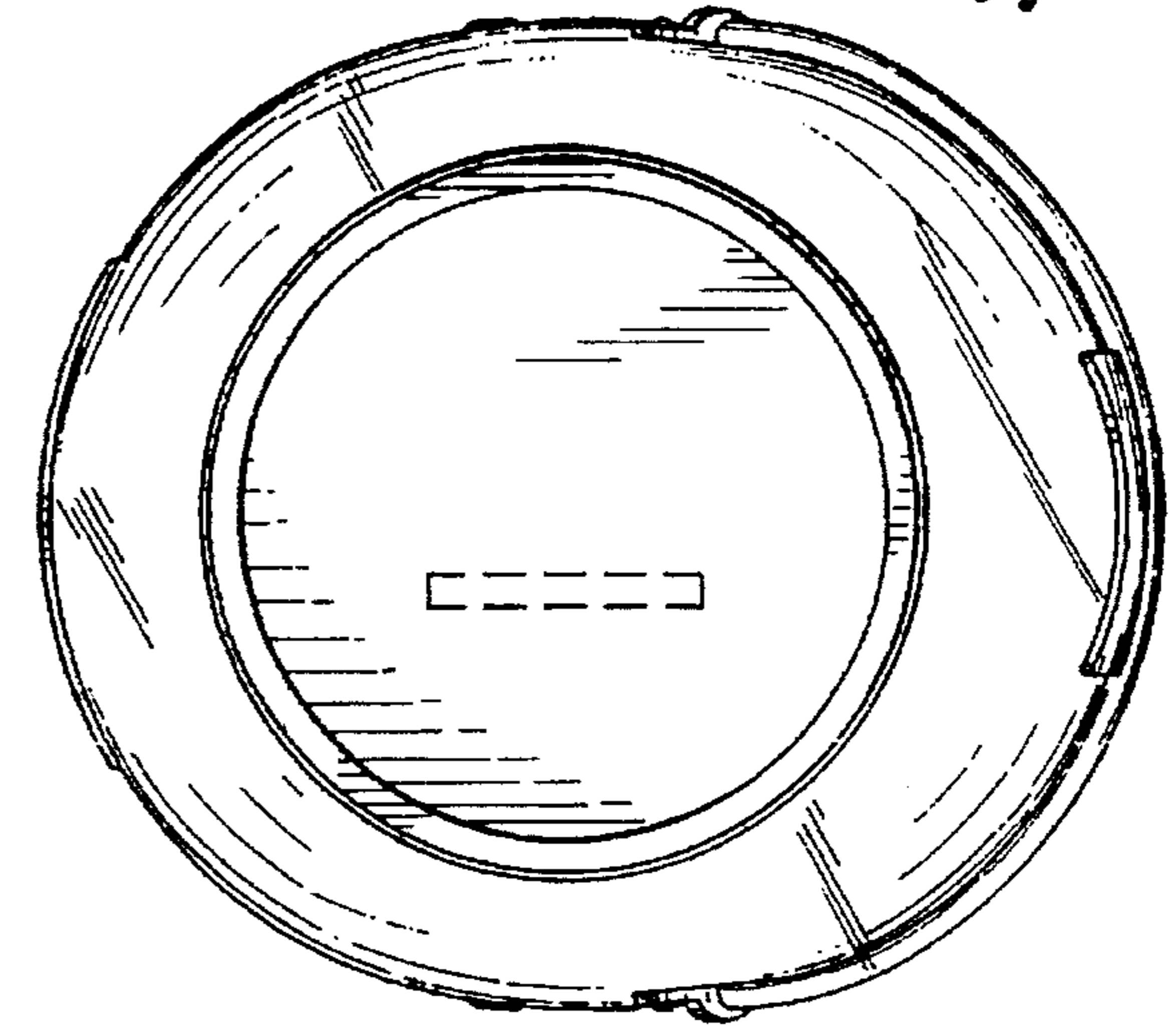


Fig. 5.

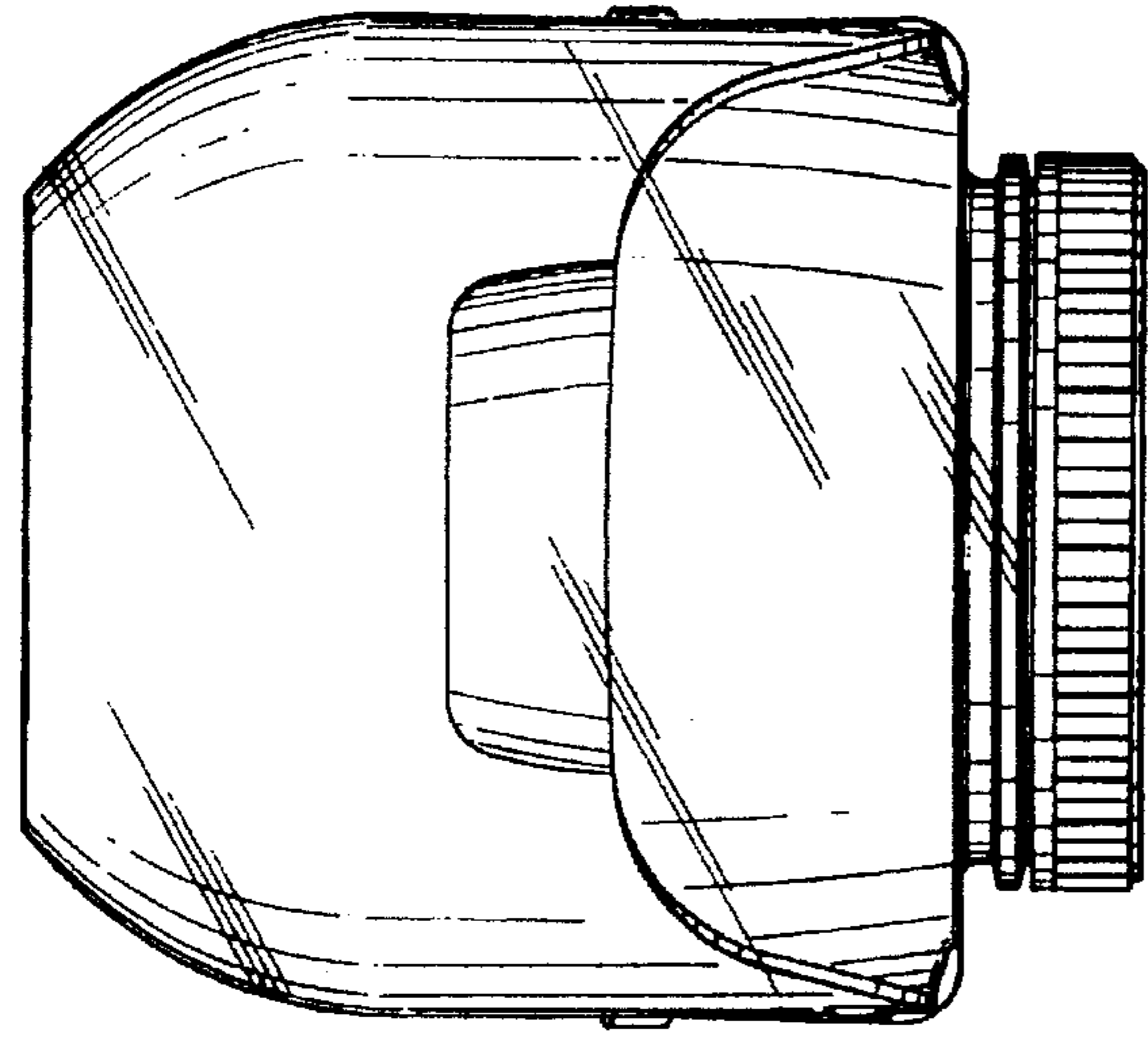


Fig. 6.

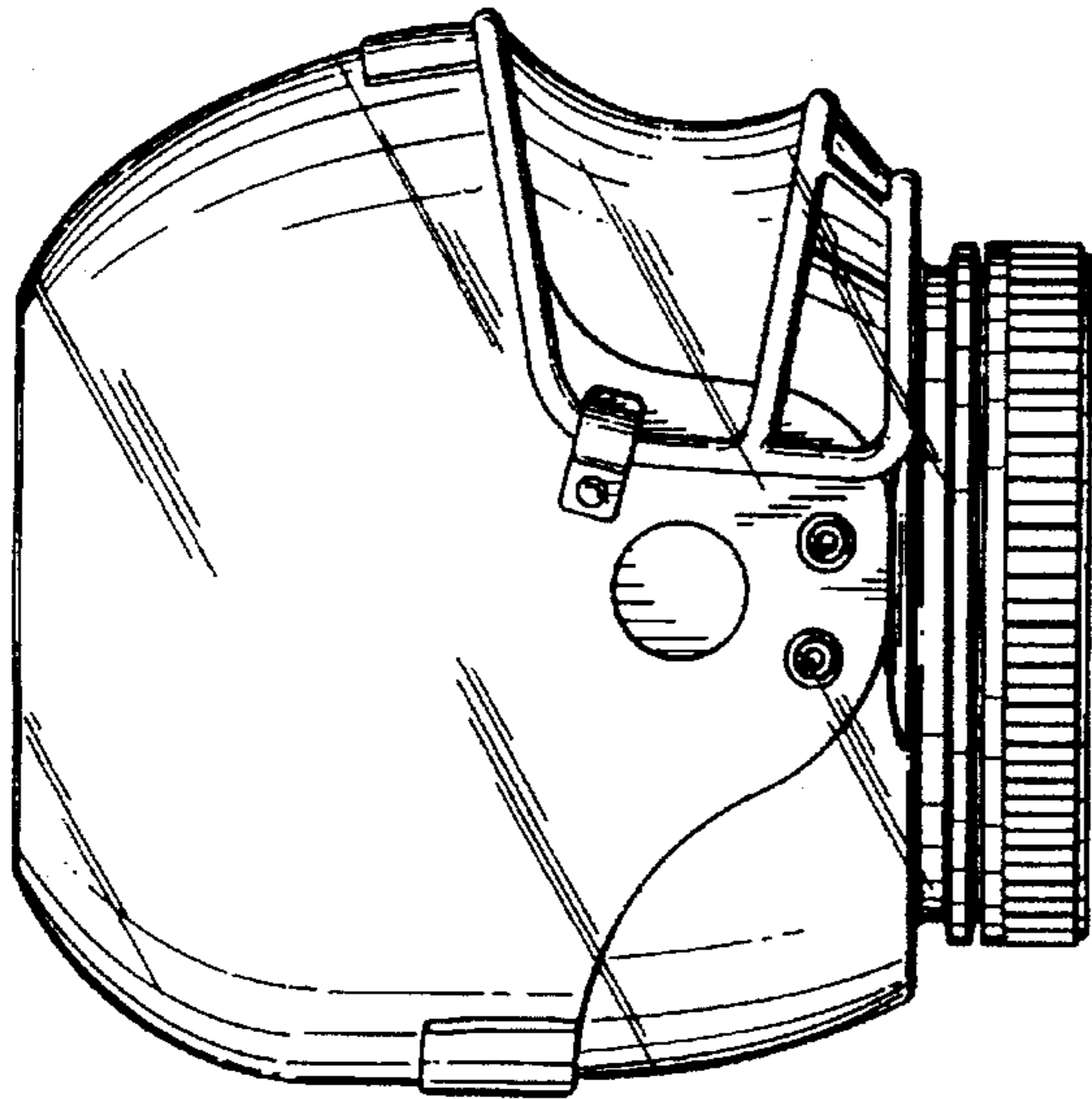


Fig. 7.

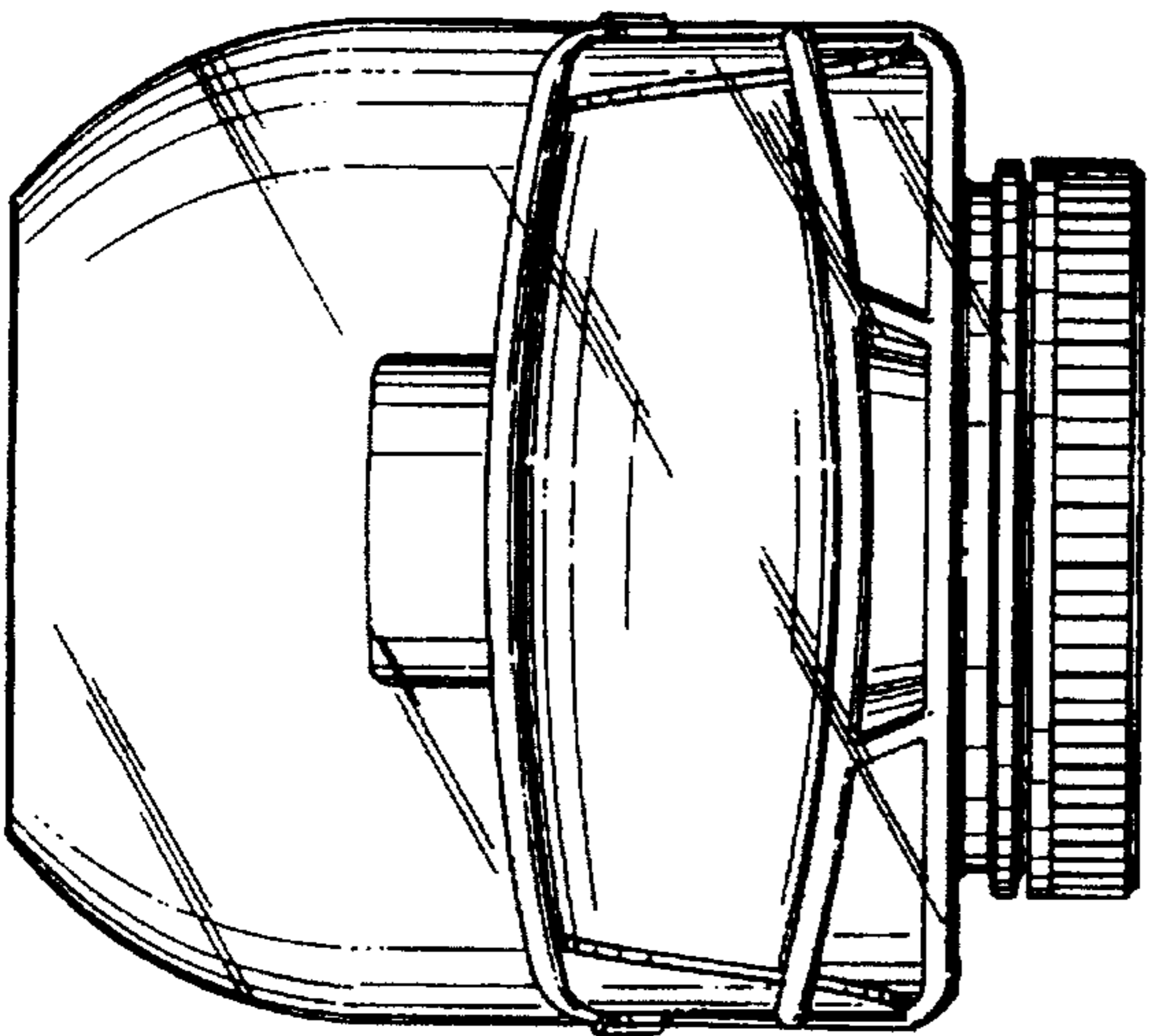


Fig. 8.

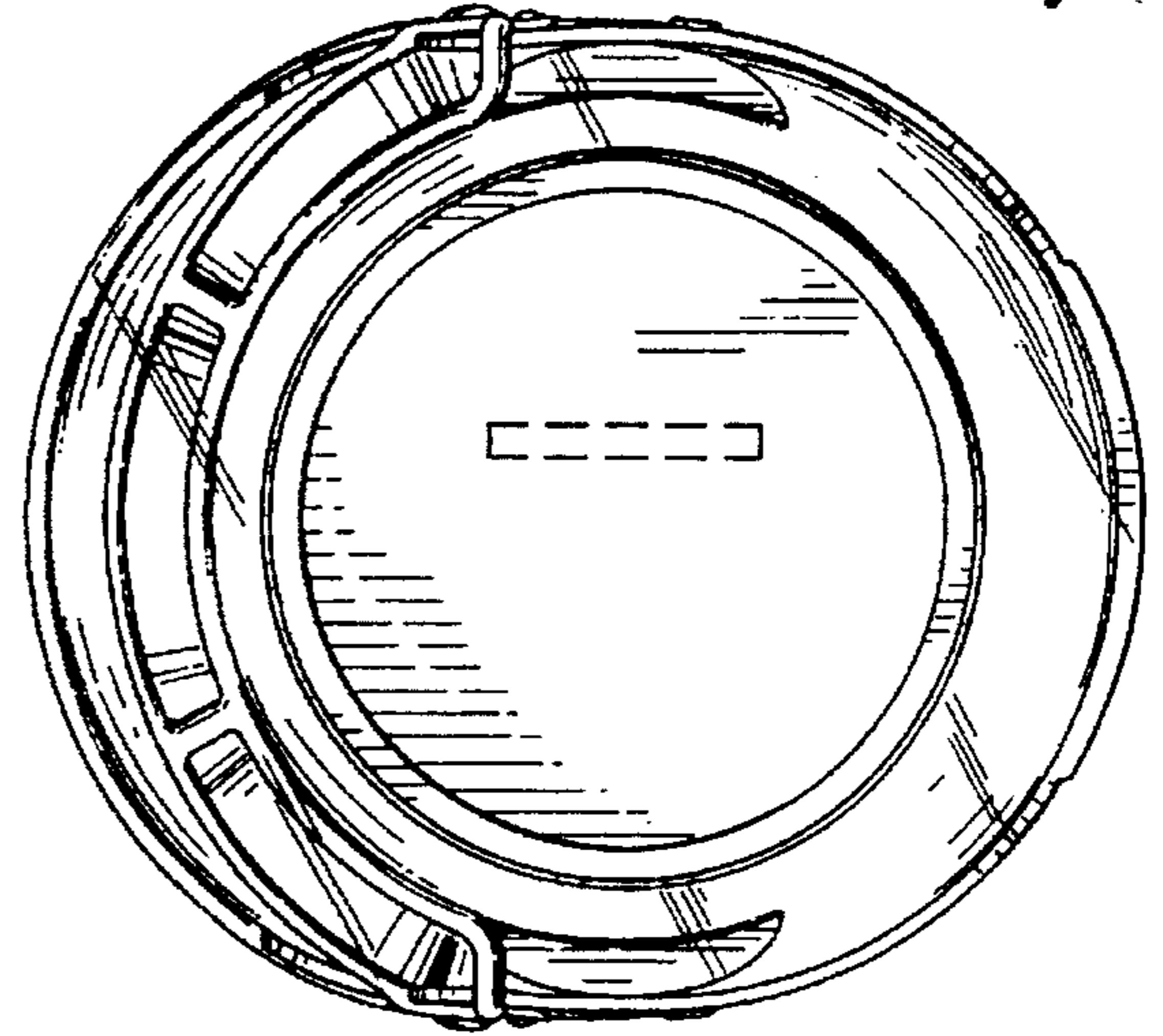


Fig. 9.

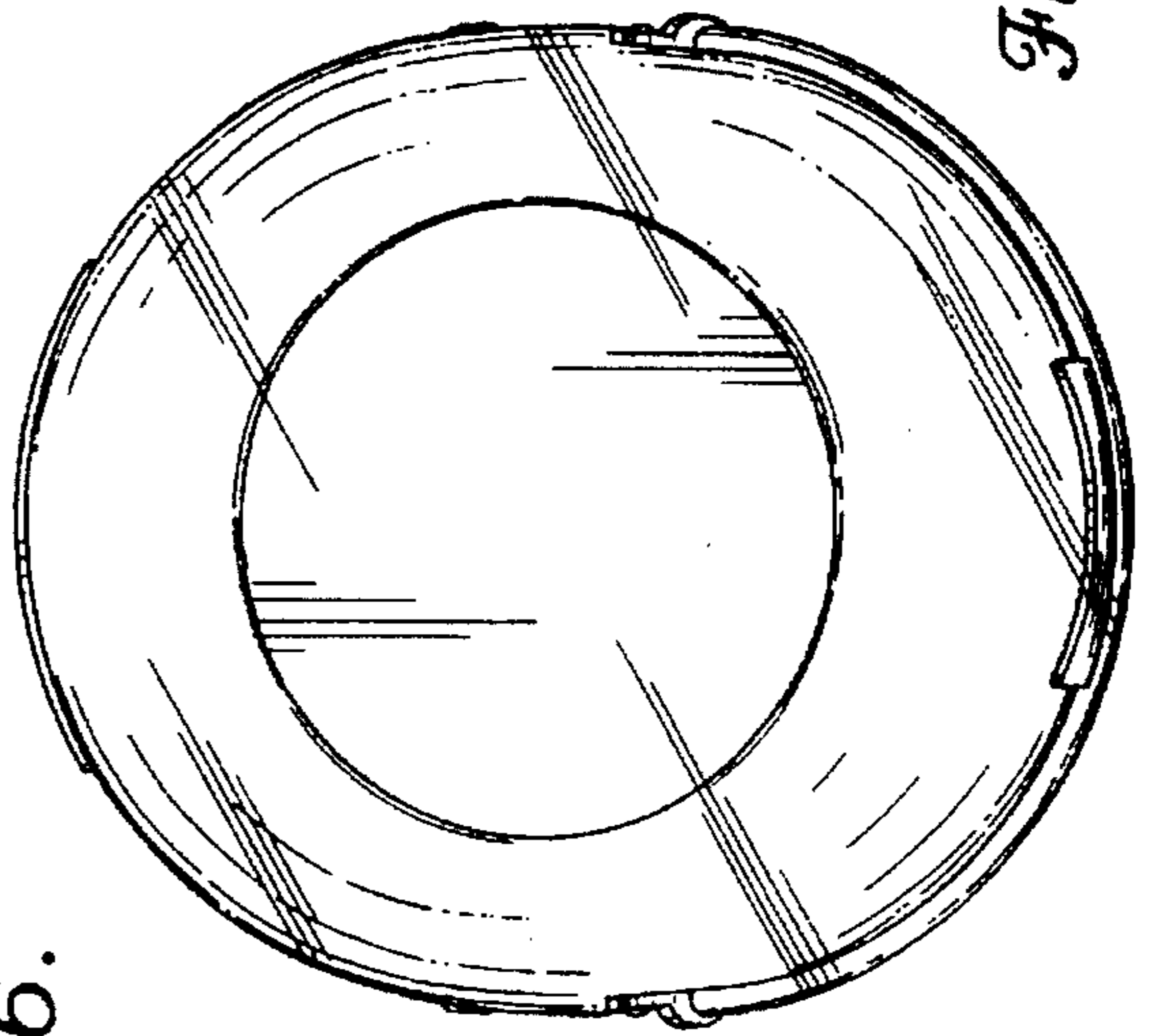


Fig. 10.