



US00D382468S

United States Patent [19] Takahashi

[11] Patent Number: **Des. 382,468**

[45] Date of Patent: ****Aug. 19, 1997**

[54] **ATTACHMENT FOR PLATE MEMBERS**

[75] Inventor: **Kenji Takahashi**, Toyota, Japan

[73] Assignee: **Nifco Inc.**, Yokohama, Japan

[**] Term: **14 Years**

[21] Appl. No.: **50,976**

[22] Filed: **Mar. 1, 1996**

[30] **Foreign Application Priority Data**

Sep. 8, 1995 [JP] Japan 7-26236

[51] LOC (6) Cl. **08-08**

[52] U.S. Cl. **D8/382**

[58] Field of Search D8/382, 354, 388,
D8/393, 390, 391; 411/500, 501; 24/293,
297, 301, 662; 248/743

[56] **References Cited**

U.S. PATENT DOCUMENTS

D. 293,883	1/1988	Hirohata	D8/382	X
D. 293,884	1/1988	Hirohata	D8/382	X
D. 297,614	9/1988	Yokoyama et al.	D8/382	
D. 297,615	9/1988	Nakama	D8/382	
D. 355,113	2/1995	Shimajiri	D8/382	
3,093,874	6/1963	Rapata	D8/391	X

3,249,973	5/1966	Seckerson	24/297	X
4,715,095	12/1987	Takahashi	24/297	X
5,011,356	4/1991	Fernandez	24/297	X
5,301,396	4/1994	Benoit	24/297	X
5,319,839	6/1994	Shimajiri	24/297	X

Primary Examiner—Paula A. Mortimer
Attorney, Agent, or Firm—Kanesaka & Takeuchi

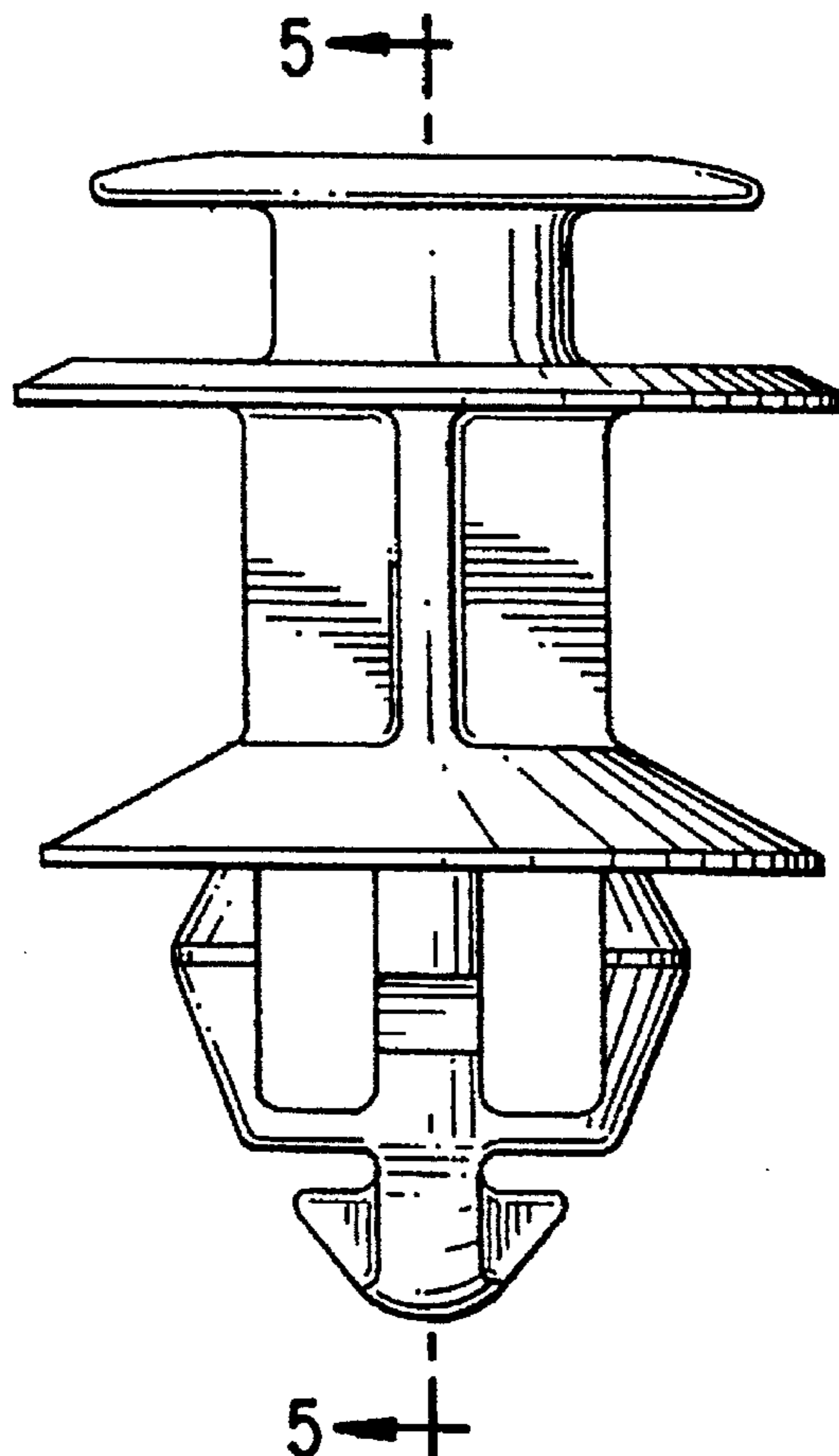
[57] **CLAIM**

The ornamental design for an attachment for plate members, as shown and described.

DESCRIPTION

FIG. 1 is a front view of an attachment for plate members showing my new design, the rear view being identical; FIG. 2 is a right side view thereof, the left view being identical; FIG. 3 is a top plan view thereof; FIG. 4 is a bottom plan view thereof; FIG. 5 is a cross sectional view taken along line 5—5 in FIG. 1; FIG. 6 is a cross sectional view taken along line 6—6 in FIG. 2; and, FIG. 7 is a cross sectional view taken along line 7—7 in FIG. 2.

1 Claim, 3 Drawing Sheets



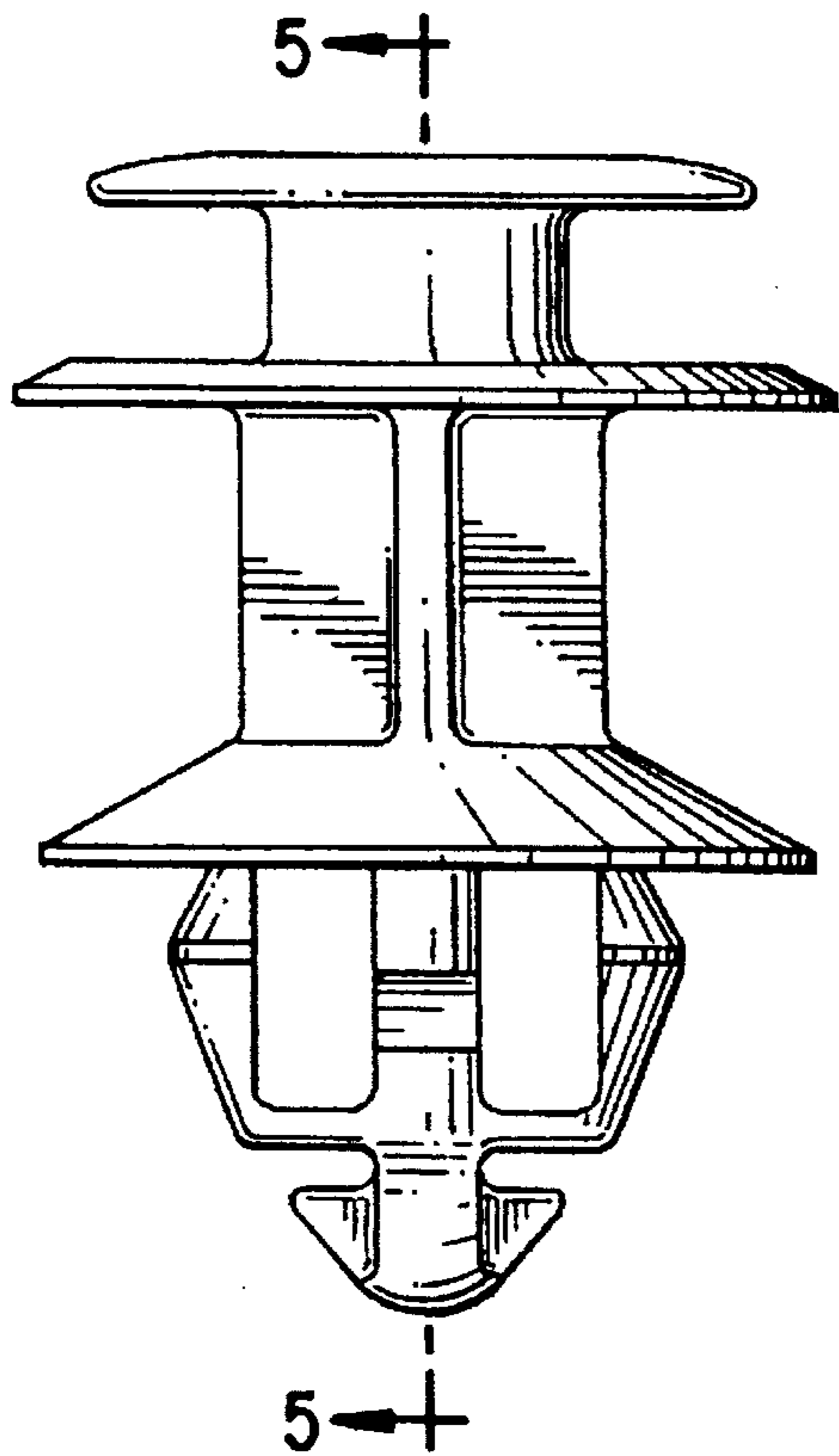


FIG. 1

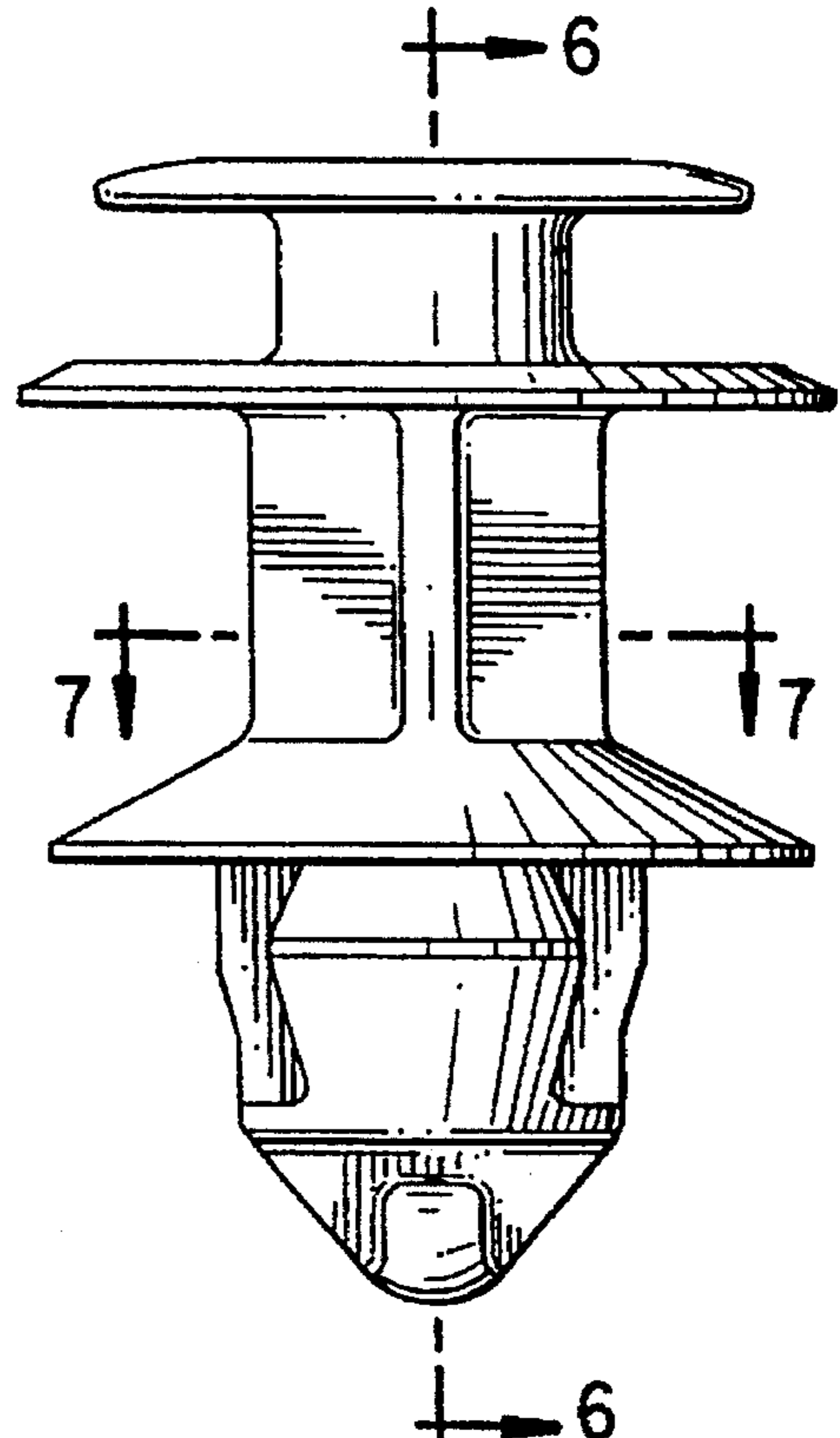


FIG. 2

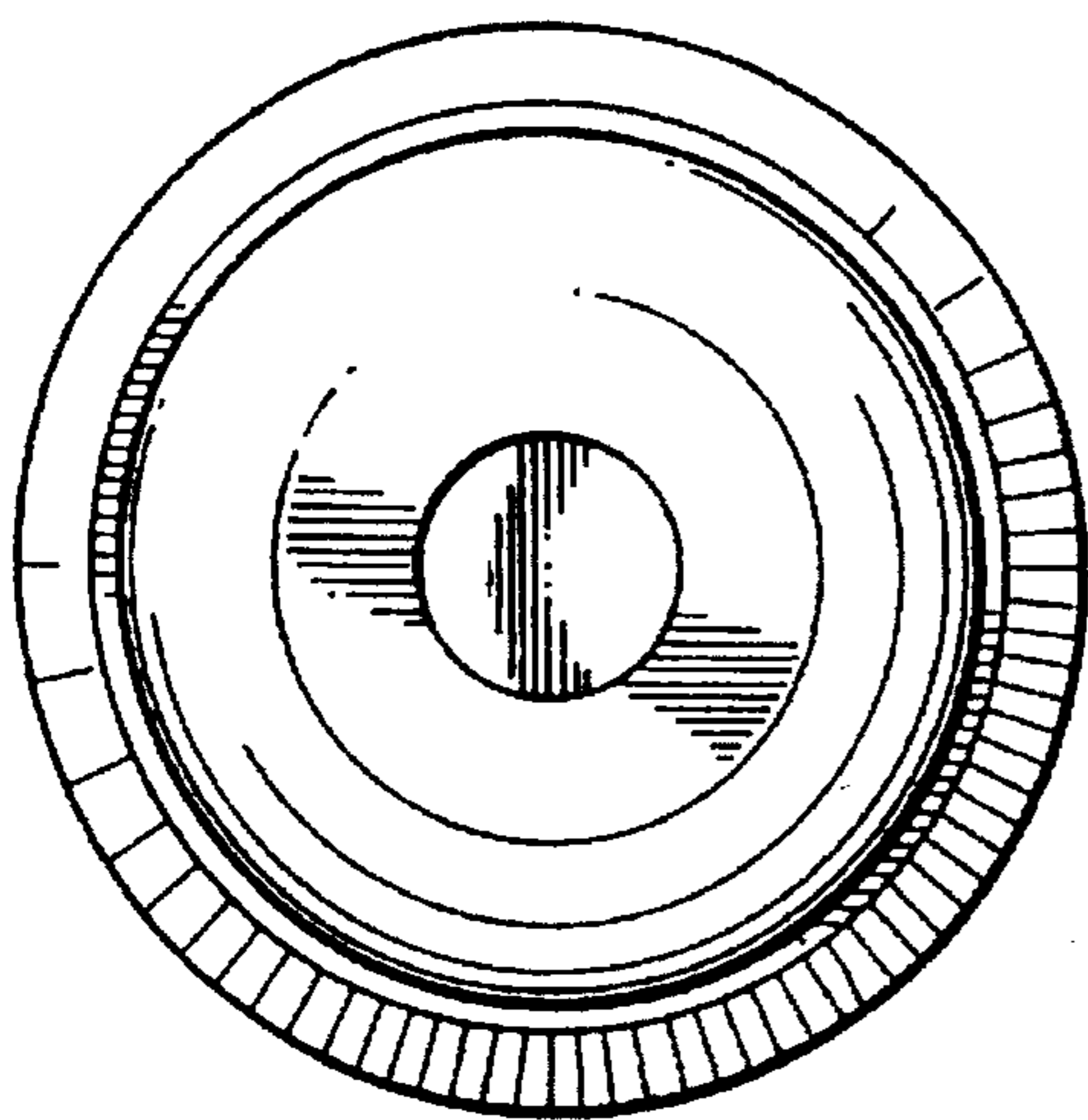


FIG. 3

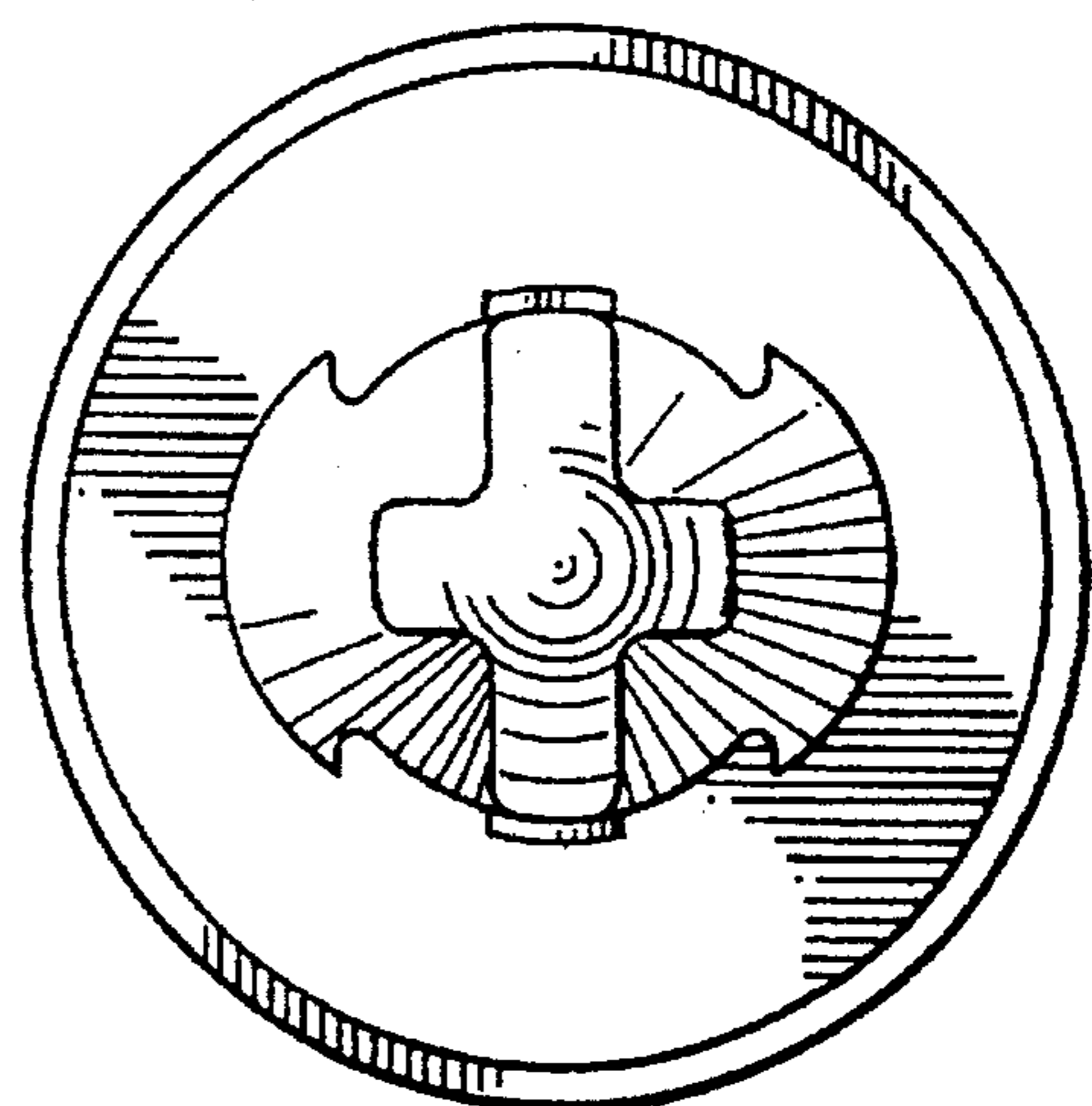


FIG. 4

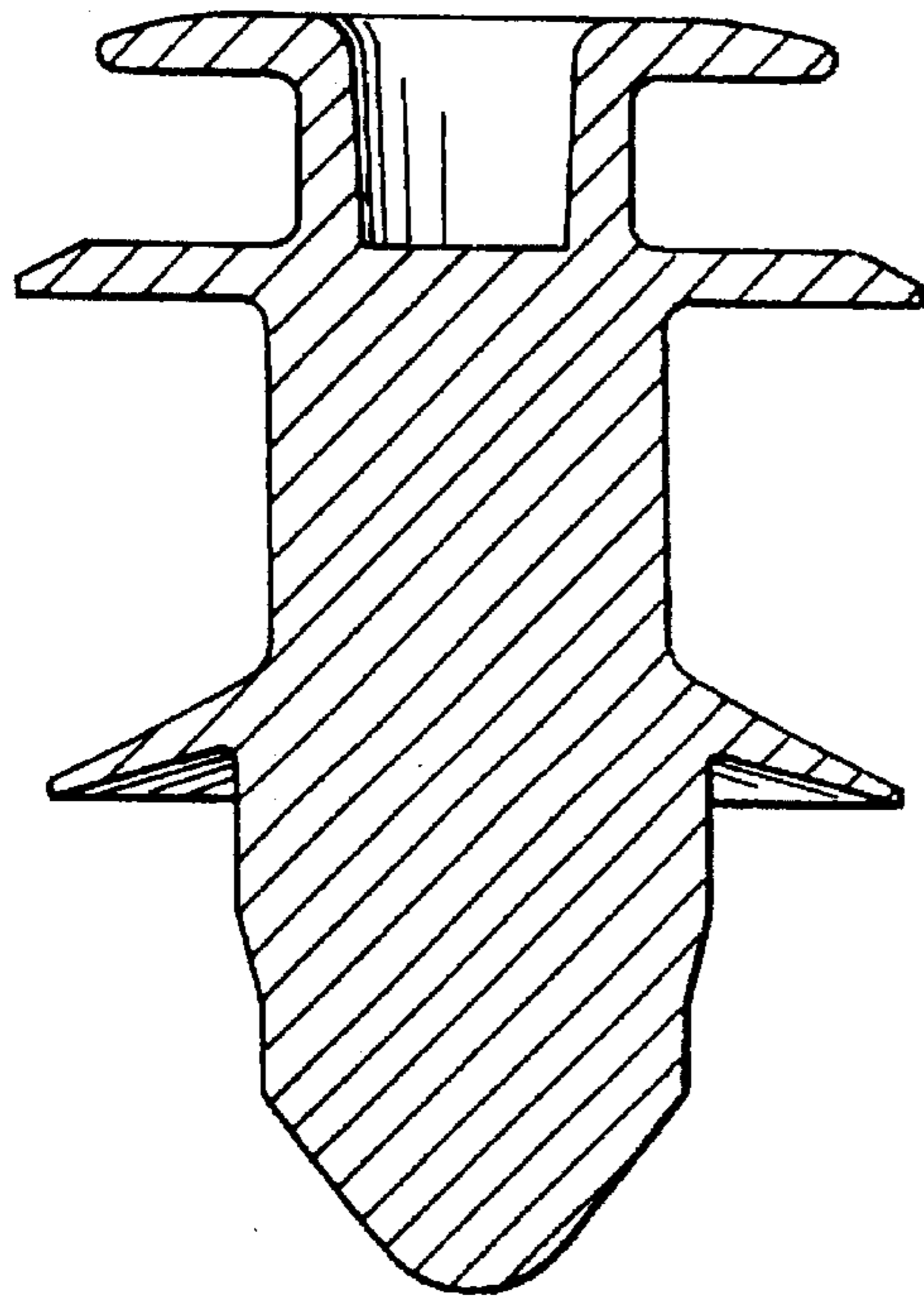


FIG. 5

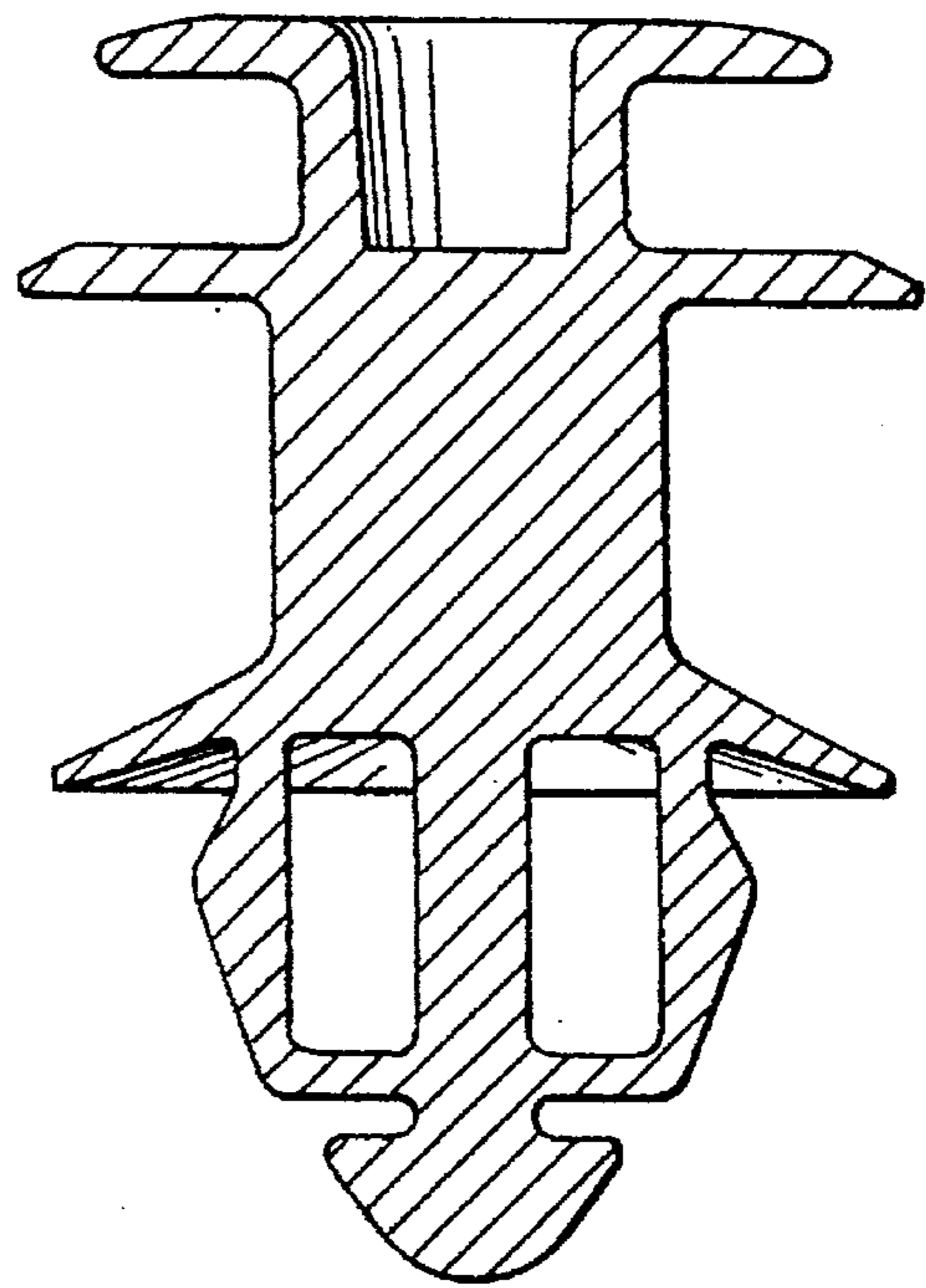


FIG. 6

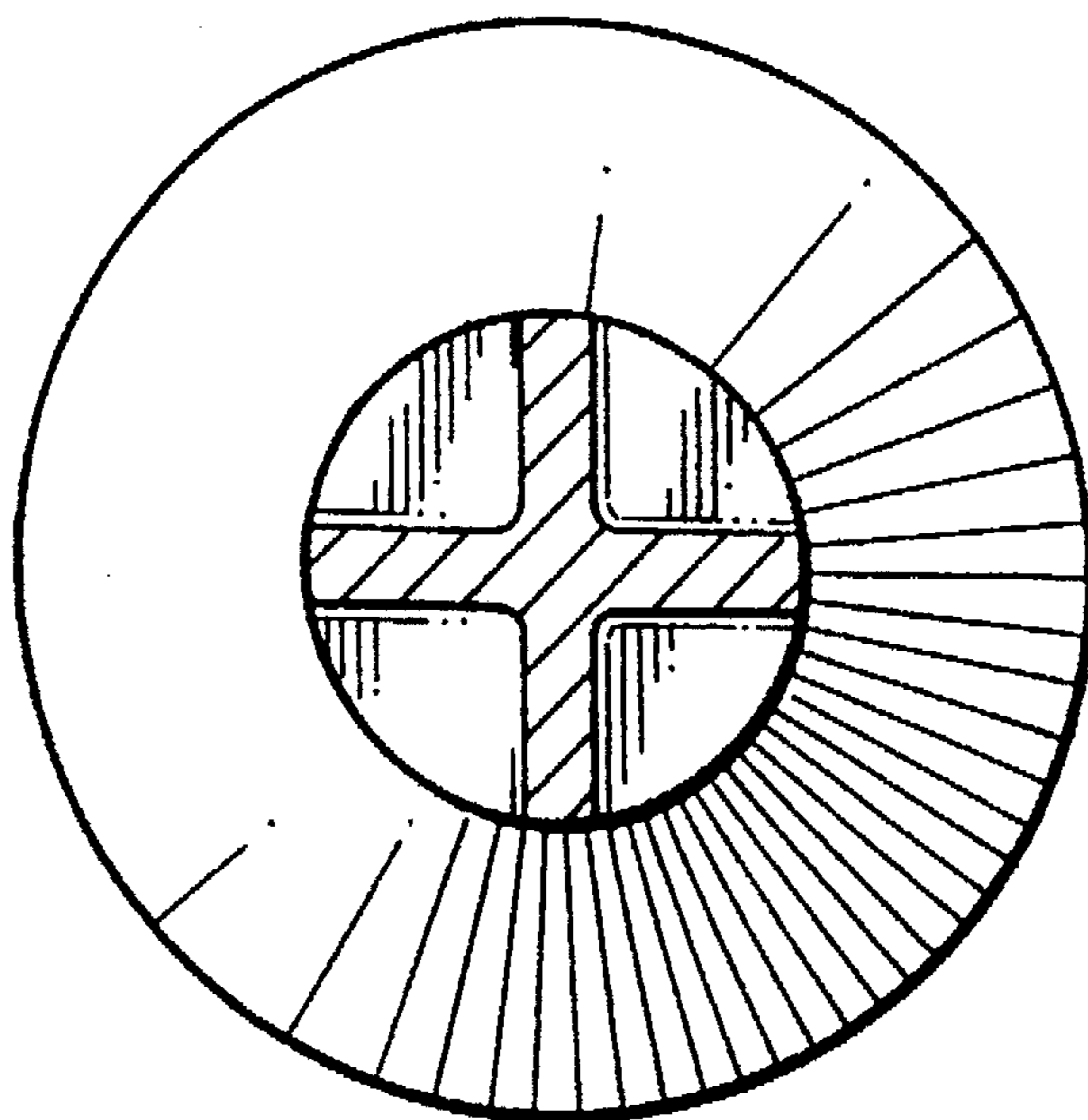


FIG. 7