



US00D382465S

United States Patent [19]

[11] Patent Number: **Des. 382,465**

Dhanapal et al.

[45] Date of Patent: ****Aug. 19, 1997**

[54] **CASTER COVER**

[75] Inventors: **Shivaprasad Dhanapal**, Statesville;
Brian H. Leonard, Durham; **Joel M. Wittkamp**, Raleigh, all of N.C.

[73] Assignee: **Rubbermaid Health Care Products Inc.**, Statesville, N.C.

[**] Term: **14 Years**

[21] Appl. No.: **46,405**

[22] Filed: **Nov. 14, 1995**

[51] LOC (6) Cl. **08-08**

[52] U.S. Cl. **D8/375**

[58] Field of Search D8/375; 16/18 R,
16/18 CG, 45

P. 164, Caster covers; United Stationers Supply Company, 2200 E. Golf Rd., Des Plaines, Illinois 60016. Publication date 1991.

Catalog page, Caster cover; Advanced Equipment, 236 Westhampton Ave., Capitol Heights, Maryland 20743. Published at least as early as Jan., 1994.

Sell sheet, Caster covers; Lumex, A Division of Lumex, Inc., 100 Spencer St., Bay Shore, New York 11706-2290. Publication date Mar., 1994.

Pp. 23 and 36, Caster covers; Lumex, A Division of Lumex, Inc., 100 Spence St., Bay Shore, New York 11706-2290. Publication date 1993.

P. 10, Caster covers; Carex Health Care Products, A Division of Acorn Development Companies, Inc., 39 Tompkins Point Rd., Newark, New Jersey 07114. Publication date 1994/95.

Primary Examiner—Holly Baynham

Attorney, Agent, or Firm—Richard B. O'Planick; Lisa B. Riedesel

[56] **References Cited**

U.S. PATENT DOCUMENTS

D. 103,451	3/1937	Herold	D8/375
D. 274,788	7/1984	Simonsen	D8/375
D. 326,221	5/1992	Brule	D8/375
568,025	9/1896	Graessle	.	
2,101,945	8/1937	Carleton	16/18 R
2,170,257	8/1939	Anderson	16/18 CG
2,184,038	12/1939	Dayton	.	
3,818,541	6/1974	Daniels	16/18 A
4,689,848	9/1987	Kotzin	16/46
4,759,097	7/1988	Black	16/18 CG

FOREIGN PATENT DOCUMENTS

1150617 2/1967 United Kingdom .

OTHER PUBLICATIONS

Form, Feb. 1988, p. 20, caster circled at bottom of page.
P. 7, Caster covers; Darcor Casters, address unknown.
Publication date Jan. 15, 1986.

[57] **CLAIM**

The ornamental design for a caster cover, as shown and described.

DESCRIPTION

FIG. 1 is a top right front perspective view of a caster cover showing our new design;

FIG. 2 is a top plan view thereof;

FIG. 3 is a front elevational view thereof;

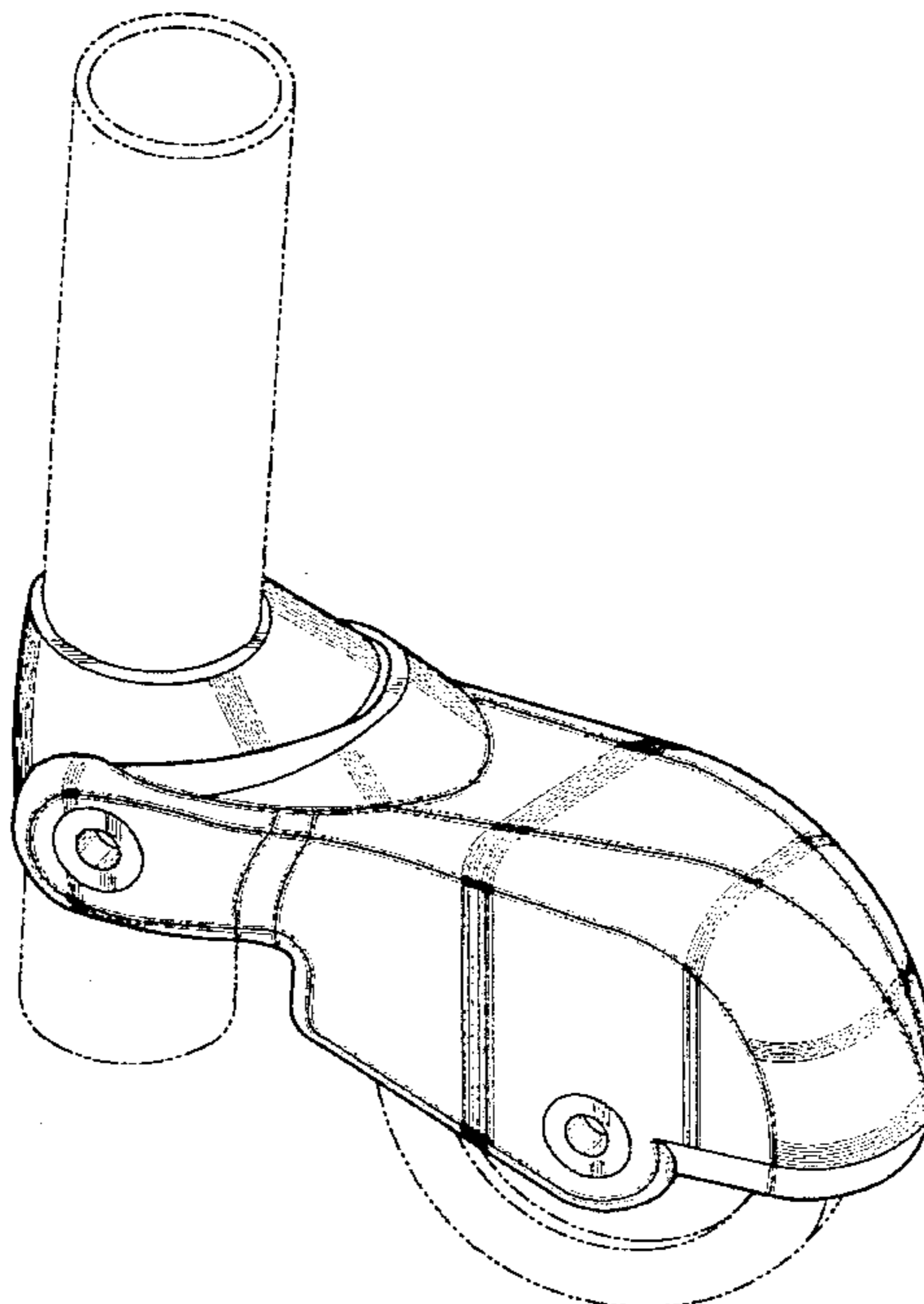
FIG. 4 is a rear elevational view thereof;

FIG. 5 is a right side elevational view thereof; and,

FIG. 6 is a left side elevational view thereof.

The broken line showing of a pole and a partial wheel is for illustrative purposes only and forms no part of the claimed design.

1 Claim, 3 Drawing Sheets



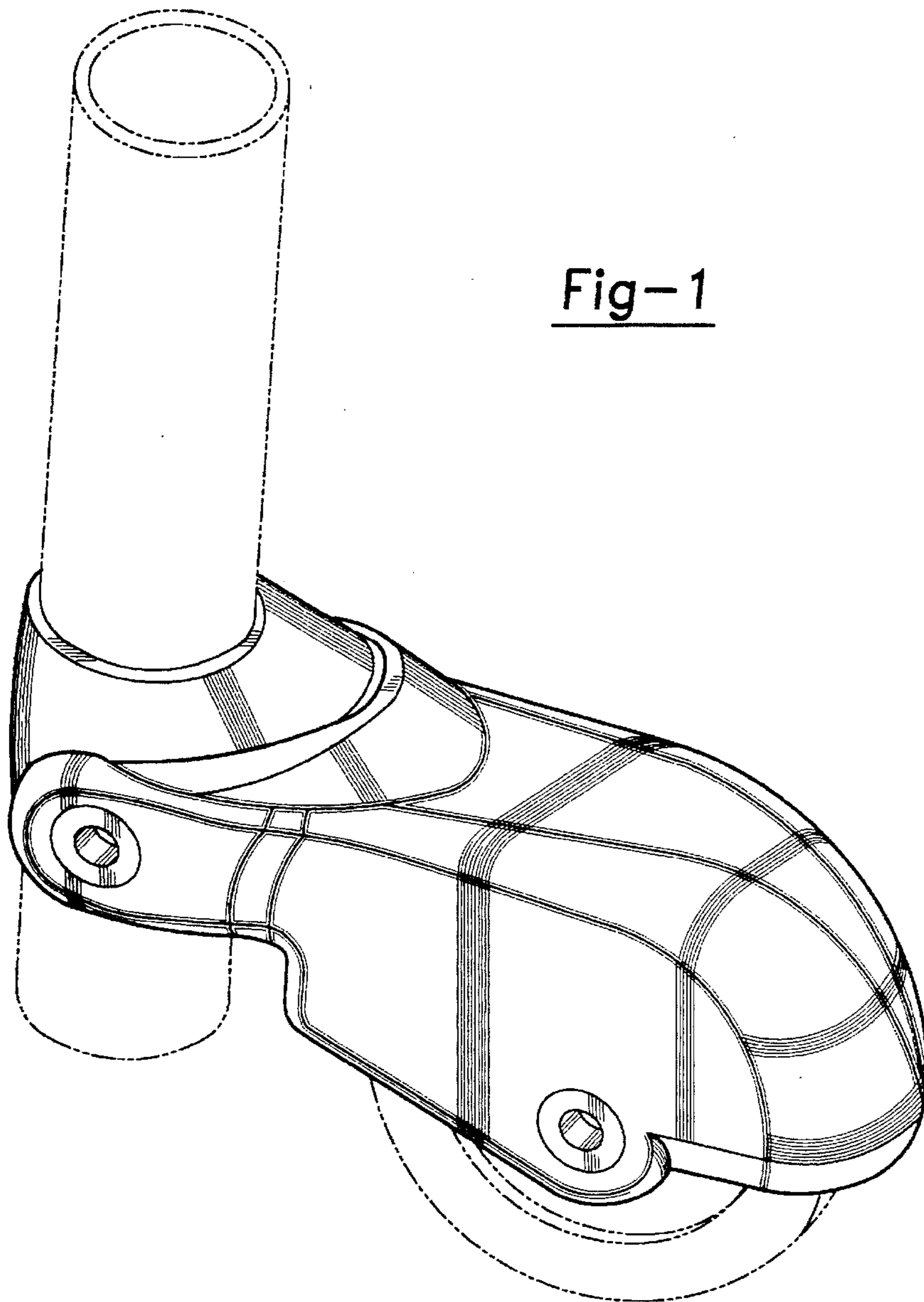


Fig-1

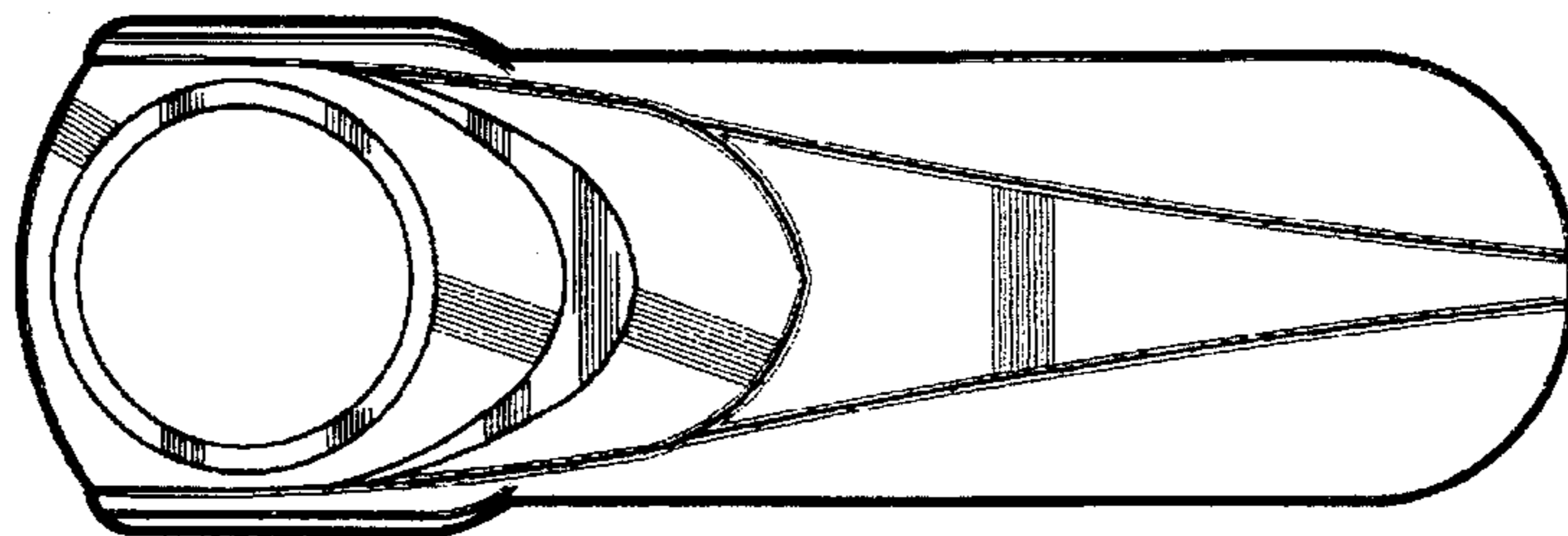


Fig-2

Fig-3

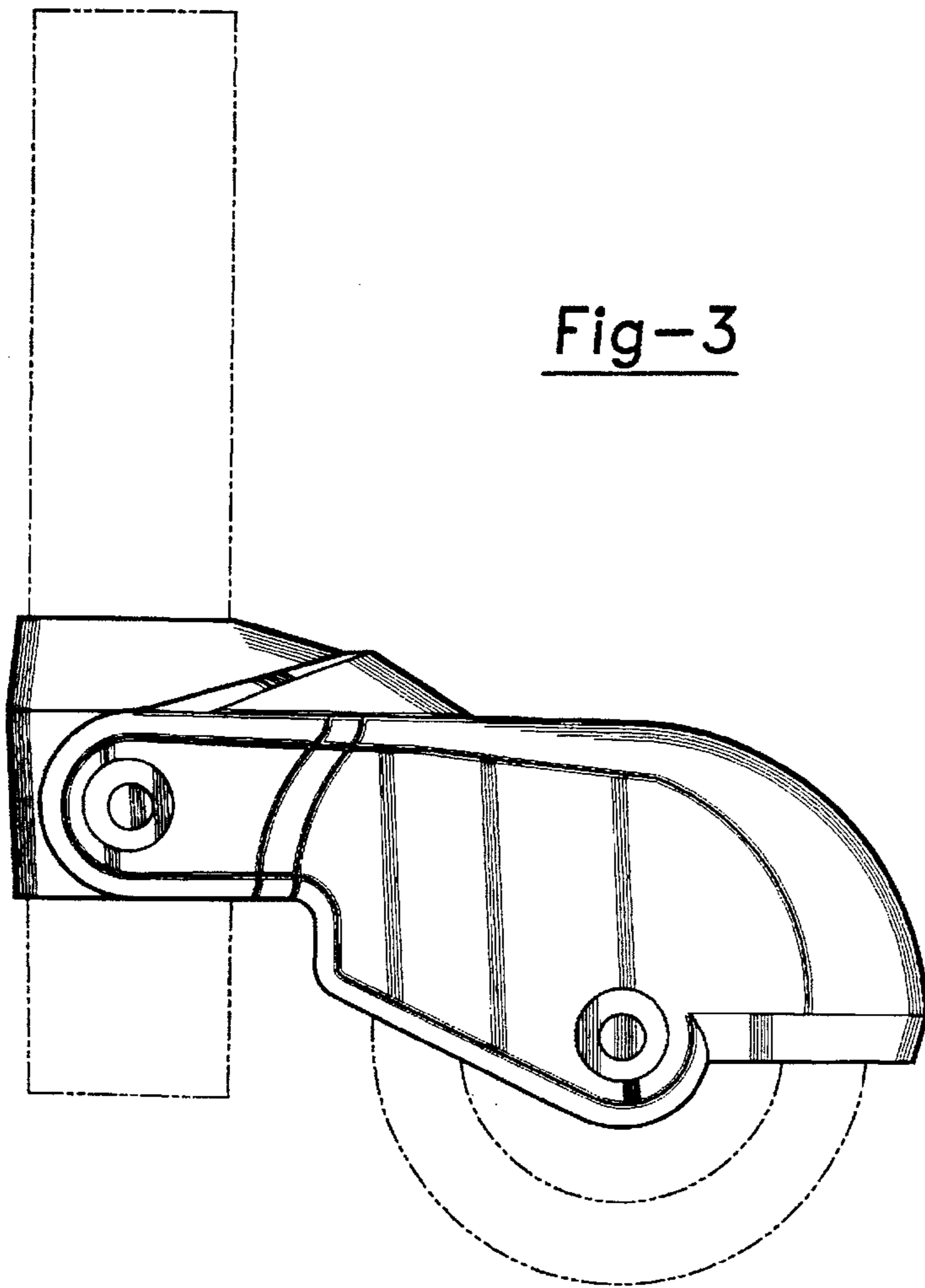
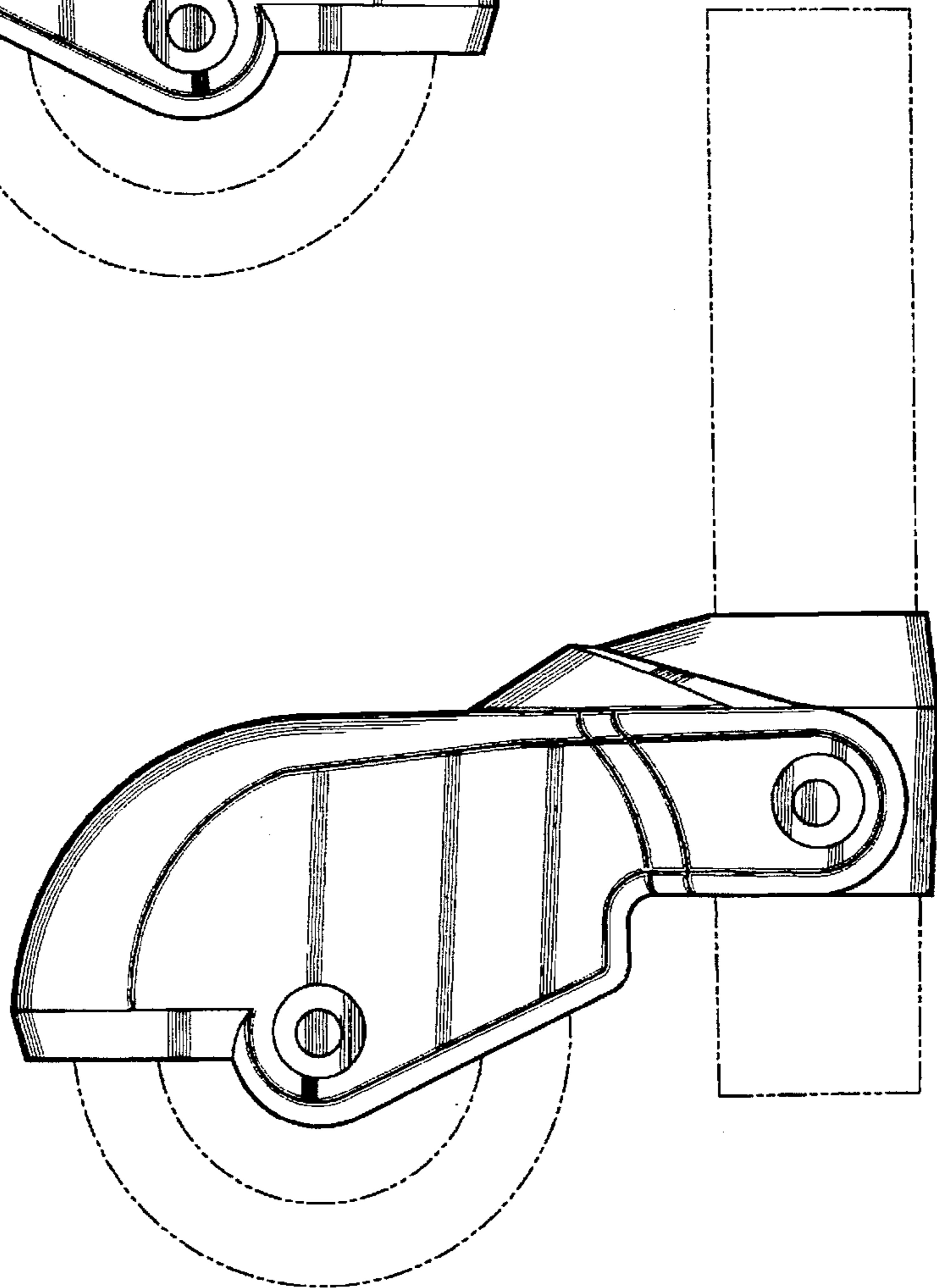


Fig-4



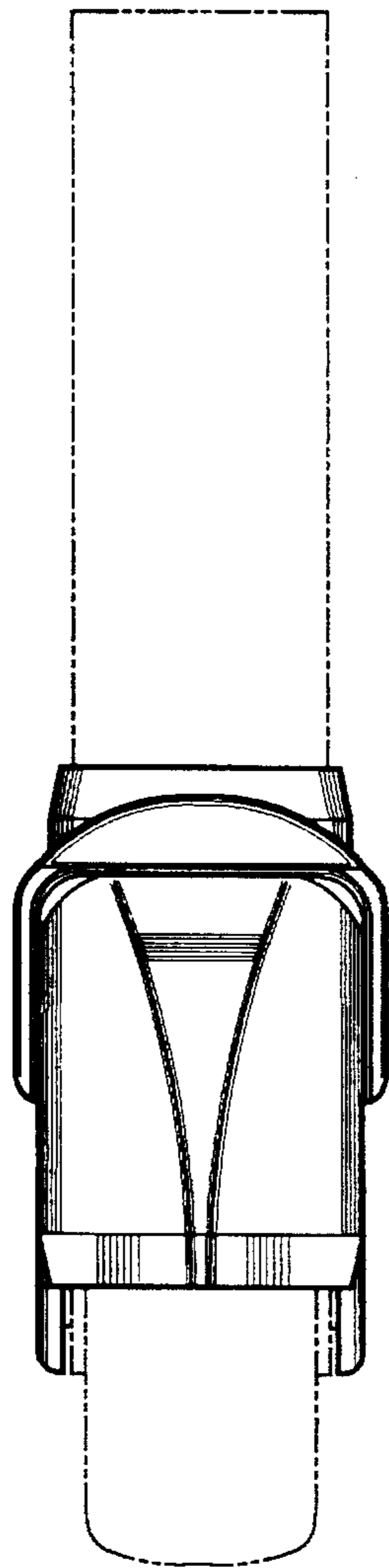


Fig-5

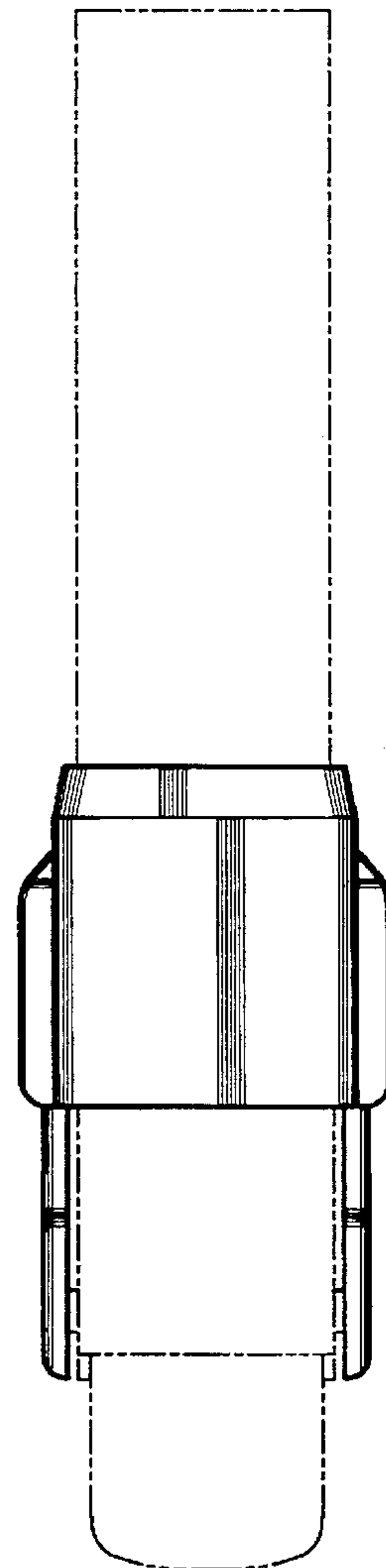


Fig-6