



US00D382462S

United States Patent [19]

[11] Patent Number: Des. 382,462

Arthurs et al.

[45] Date of Patent: **Aug. 19, 1997

[54] ONE-PIECE HANDLE, HOUSING AND COVER FOR DRAW-TYPE LATCH OR LOCK

[75] Inventors: **Scott A. Arthurs**, Brunswick; **Lee S. Weinerman**, Medina, both of Ohio

[73] Assignee: **The Eastern Co.**, Cleveland, Ohio

[**] Term: **14 Years**

[21] Appl. No.: **49,682**

[22] Filed: **Jan. 29, 1996**

[51] LOC (6) Cl. **08-08**

[52] U.S. Cl. **D8/343**

[58] Field of Search D8/330-331, 342, D8/343, 336; 292/108-109, 113-14, 246, 247, DIG. 49, DIG. 38

[56] References Cited

U.S. PATENT DOCUMENTS

D. 324,165	2/1992	Bressler et al.	D8/331
2,829,912	4/1958	Koch	292/114
3,181,905	5/1965	Bisbing	292/109
3,466,076	9/1969	Bisbing	292/109
3,490,805	1/1970	Di Pierro et al.	292/258
4,540,206	9/1985	Frame et al.	292/66
4,705,308	11/1987	Bisbing	292/108
4,801,165	1/1989	Pyle	292/DIG. 38 X
4,804,215	2/1989	Bisbing	292/113
4,828,298	5/1989	Bisbing	292/113
4,830,413	5/1989	Bisbing	292/247
5,131,246	7/1992	Bonzer	70/260

OTHER PUBLICATIONS

Southco, Inc., Concordville, PA, One-Page Brochure Entitled "Quick, Precise, Drawlatch adjustment right at your fingertips," Date Unknown But Believed to be prior to Jan. of 1996.

Southco, Inc., Concordville, PA, Catalog pp. H-5 through h-7 showing Several Drawlatch Products, Date Unknown, But Believed to be prior to Jan. of 1996.

Camloc Products Division, Fairchild Fastener Group, Torrance, CA, Catalog No. 93, pp. F-10 & F11, 1992.

Primary Examiner—Brian N. Vinson

Attorney, Agent, or Firm—David A. Burge

[57] CLAIM

The ornamental design for a one-piece handle, housing and cover for a draw-type latch or lock, as shown and described.

DESCRIPTION

FIG. 1 is a perspective view of a one-piece handle, housing and cover for a draw-type latch or lock embodying our design, with the view showing principally top, front and left exterior portions thereof;

FIG. 2 is a perspective view showing principally bottom, front and right exterior portions together with interior portions thereof;

FIG. 3 is a top plan view thereof;

FIG. 4 is a bottom plan view thereof;

FIG. 5 is a front side elevational view thereof;

FIG. 6 is a rear side elevational view thereof;

FIG. 7 is a left end elevational view thereof; and,

FIG. 8 is a right end elevational view thereof.

1 Claim, 3 Drawing Sheets

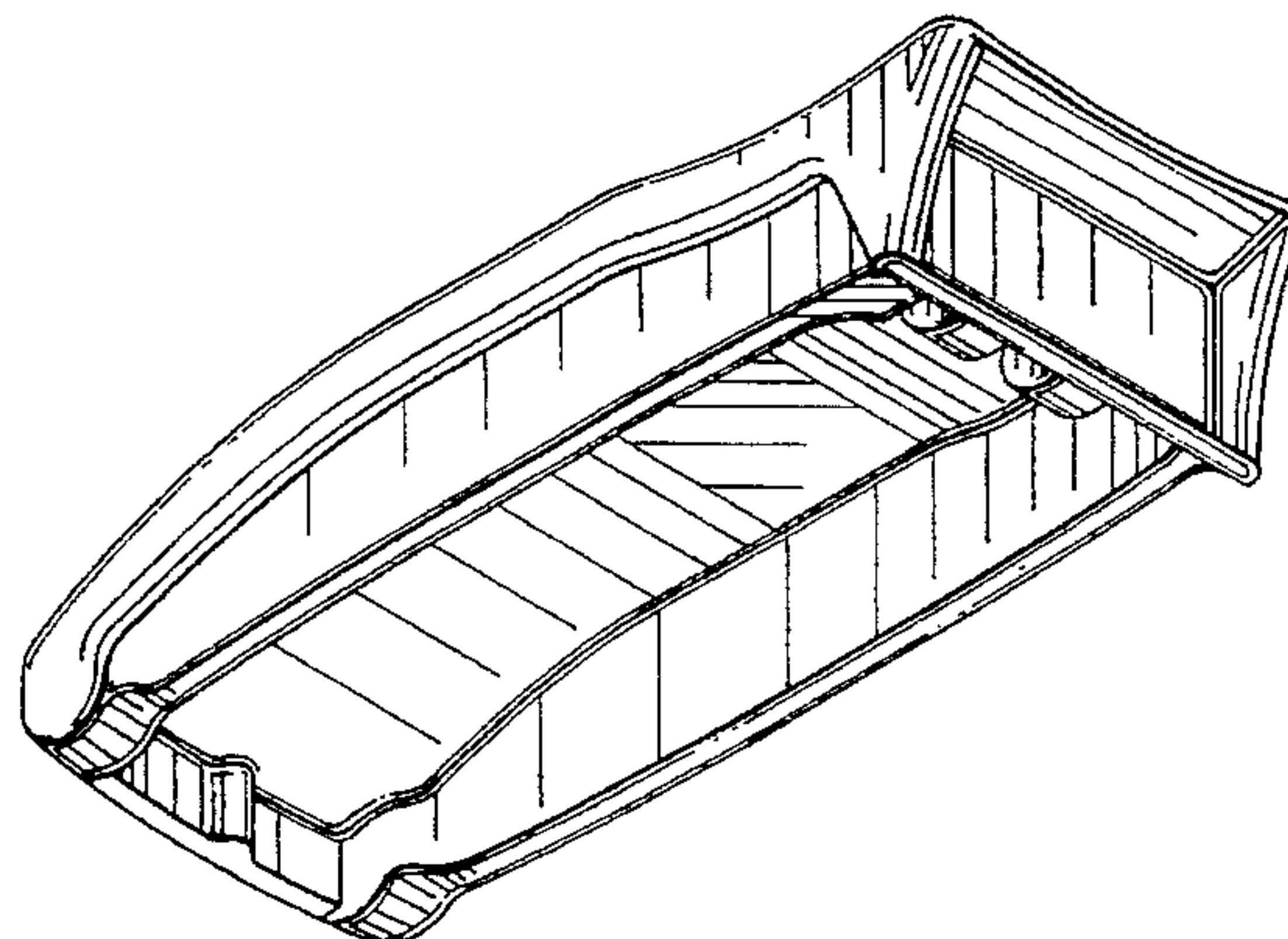
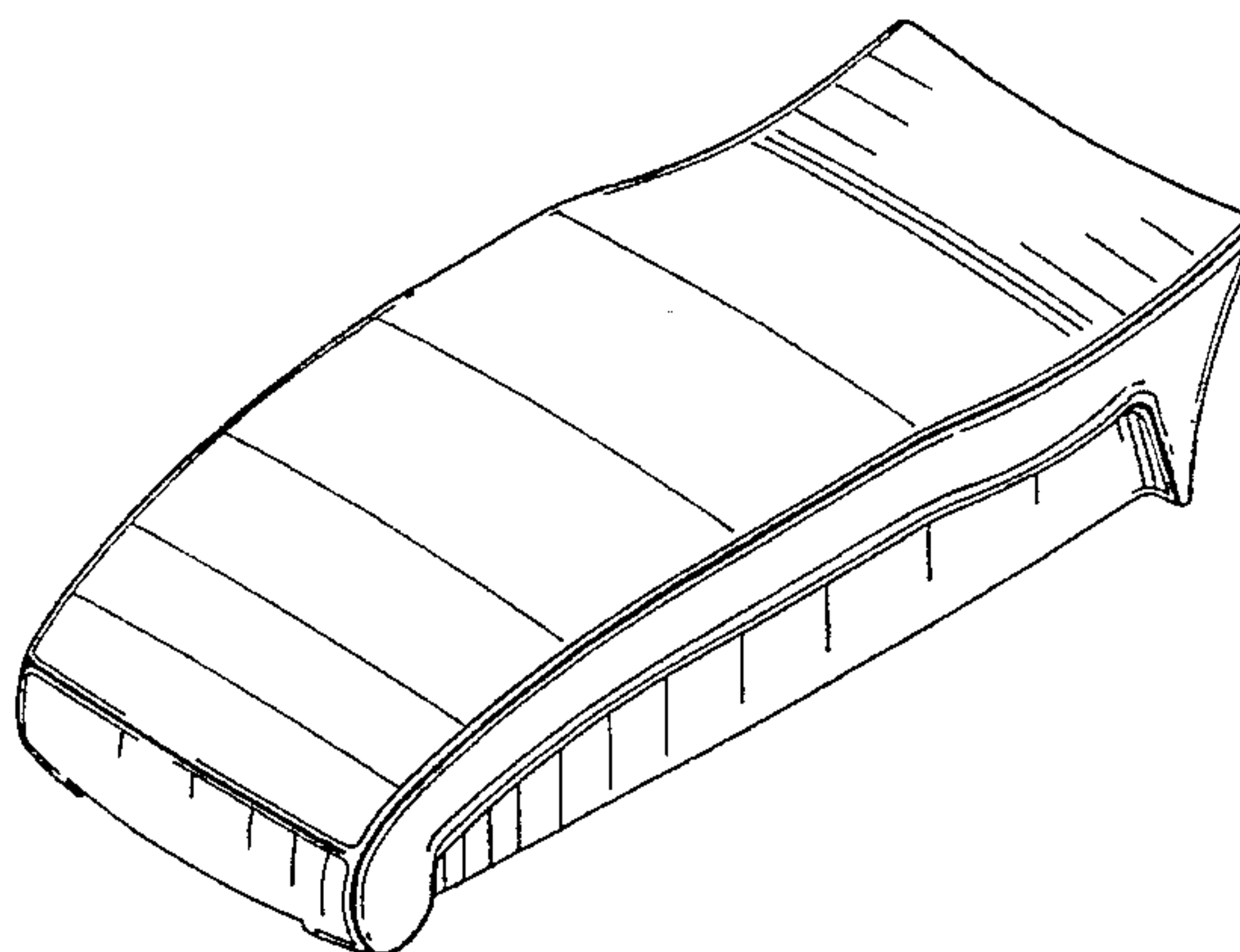


FIG. 2

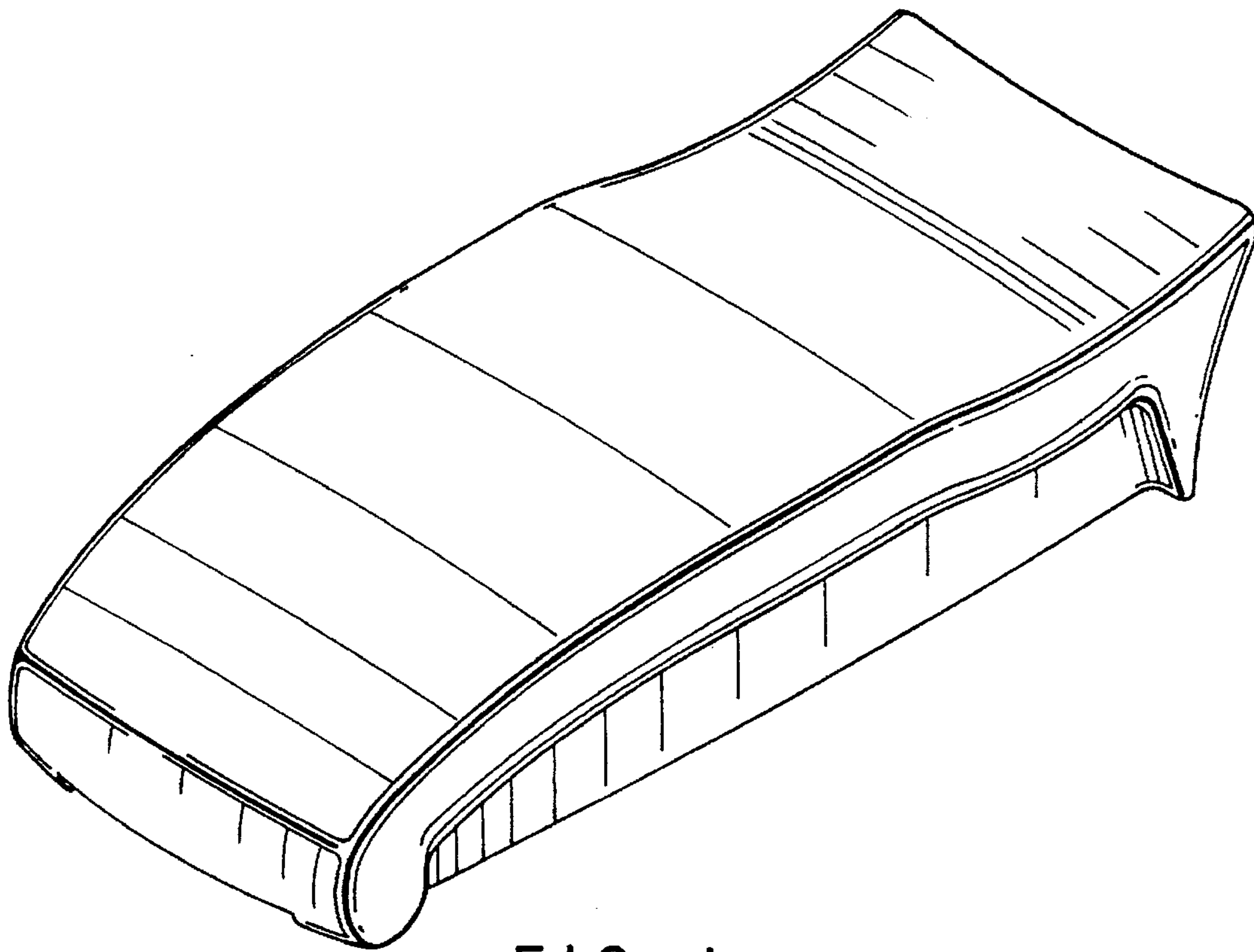


FIG. 1

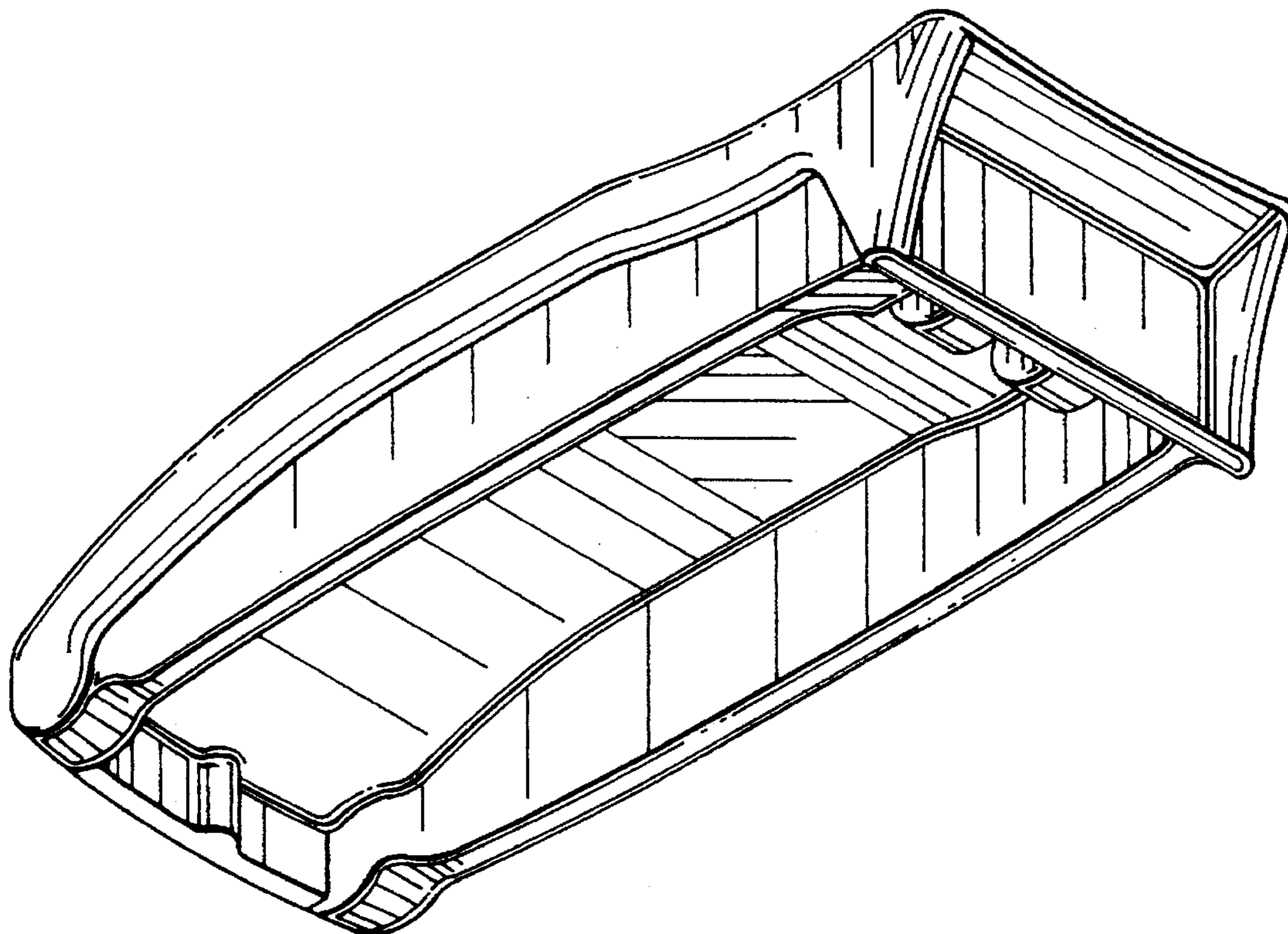


FIG. 2

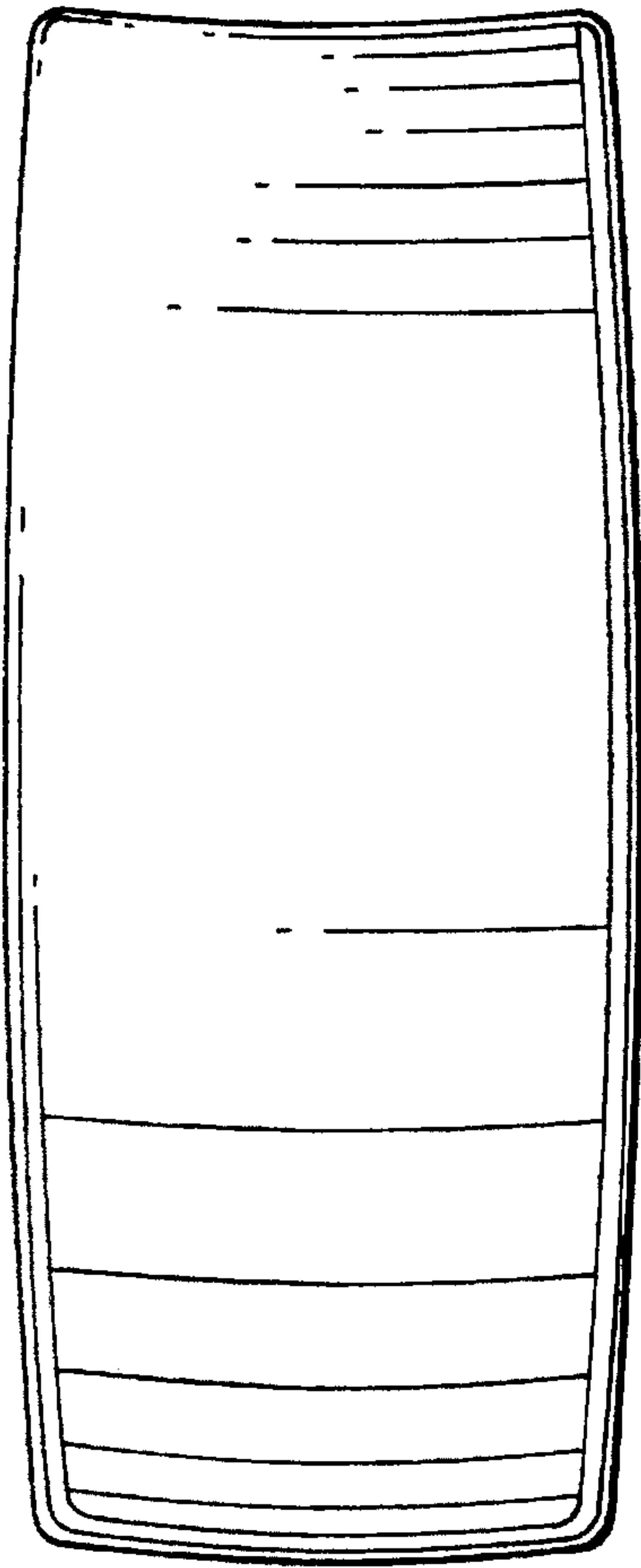


FIG. 3

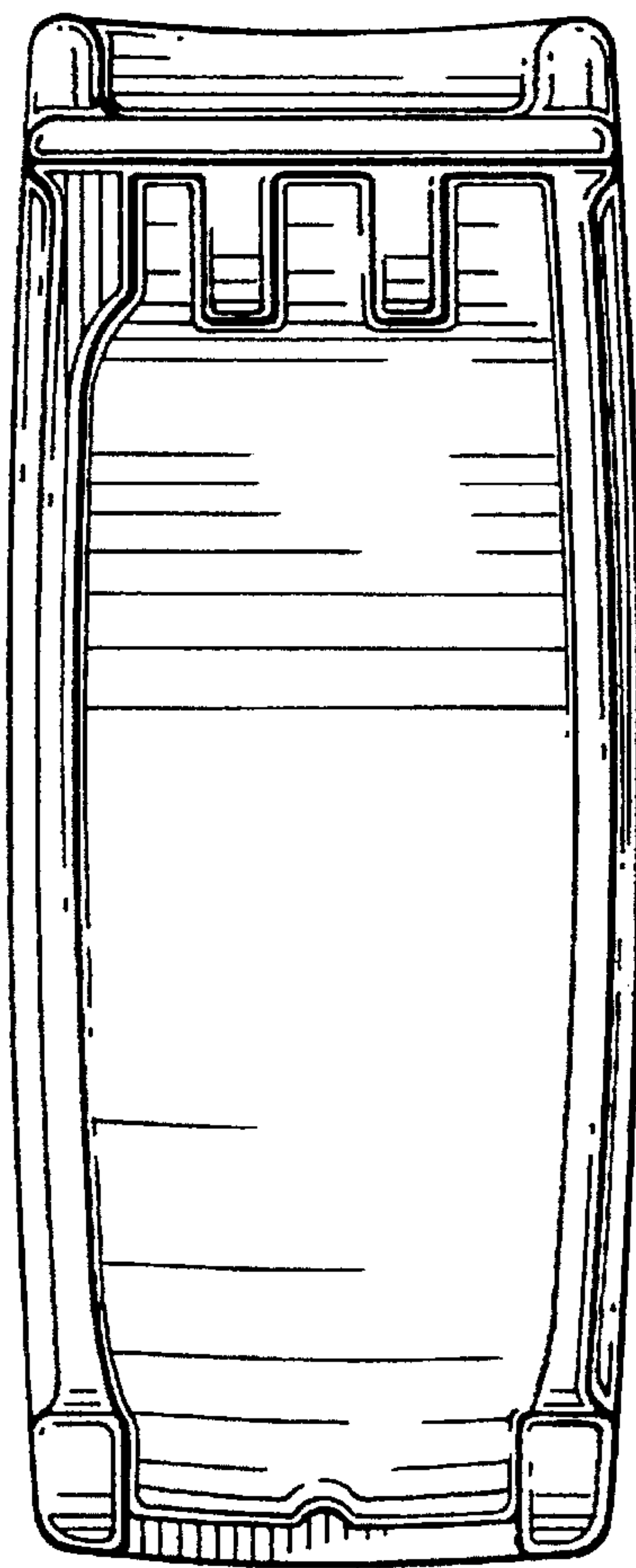


FIG. 4

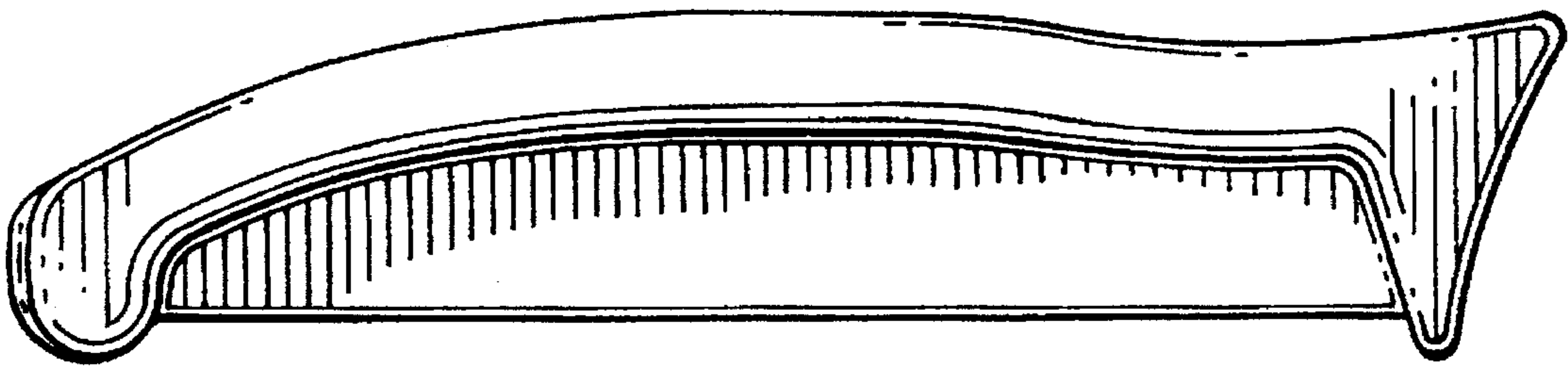


FIG. 5

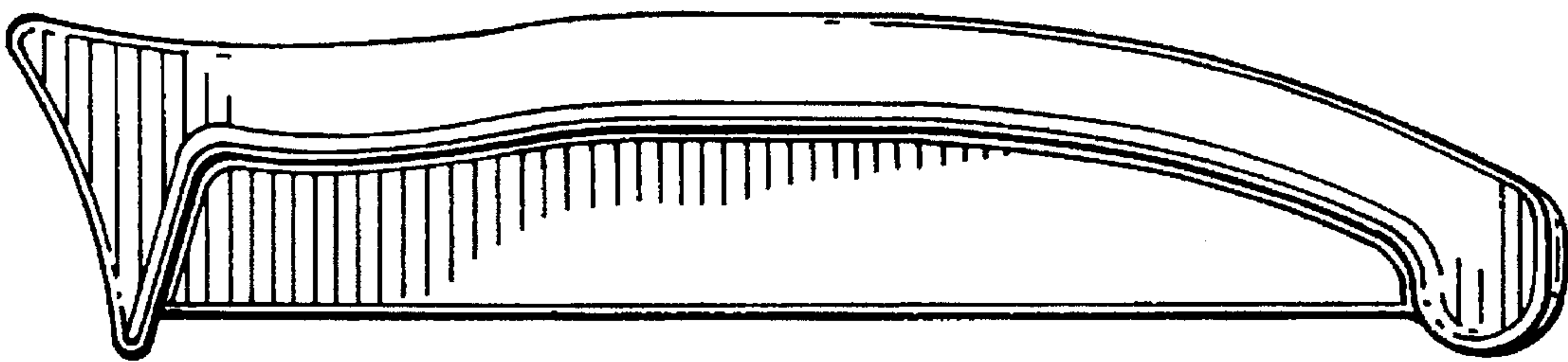


FIG. 6

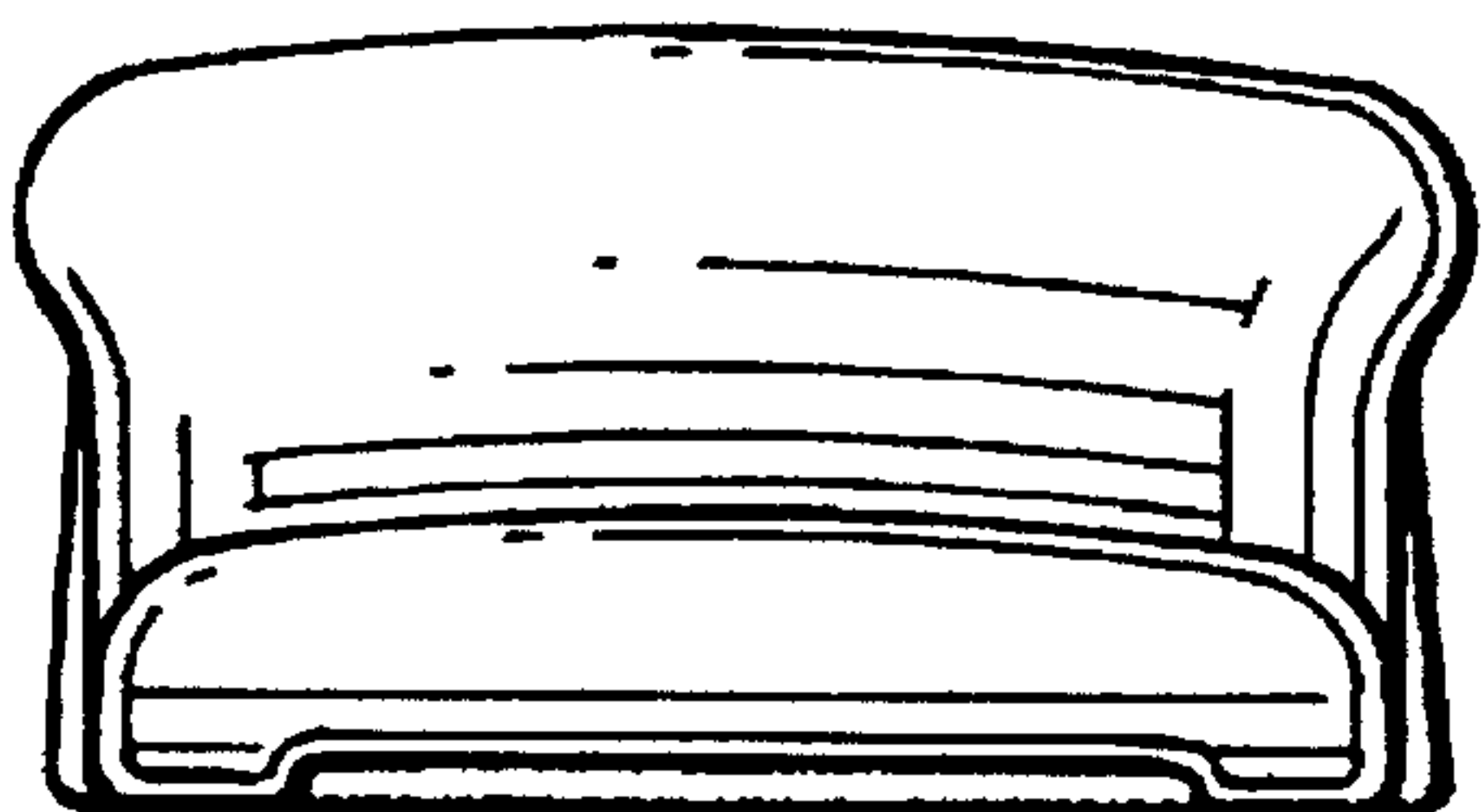


FIG. 7

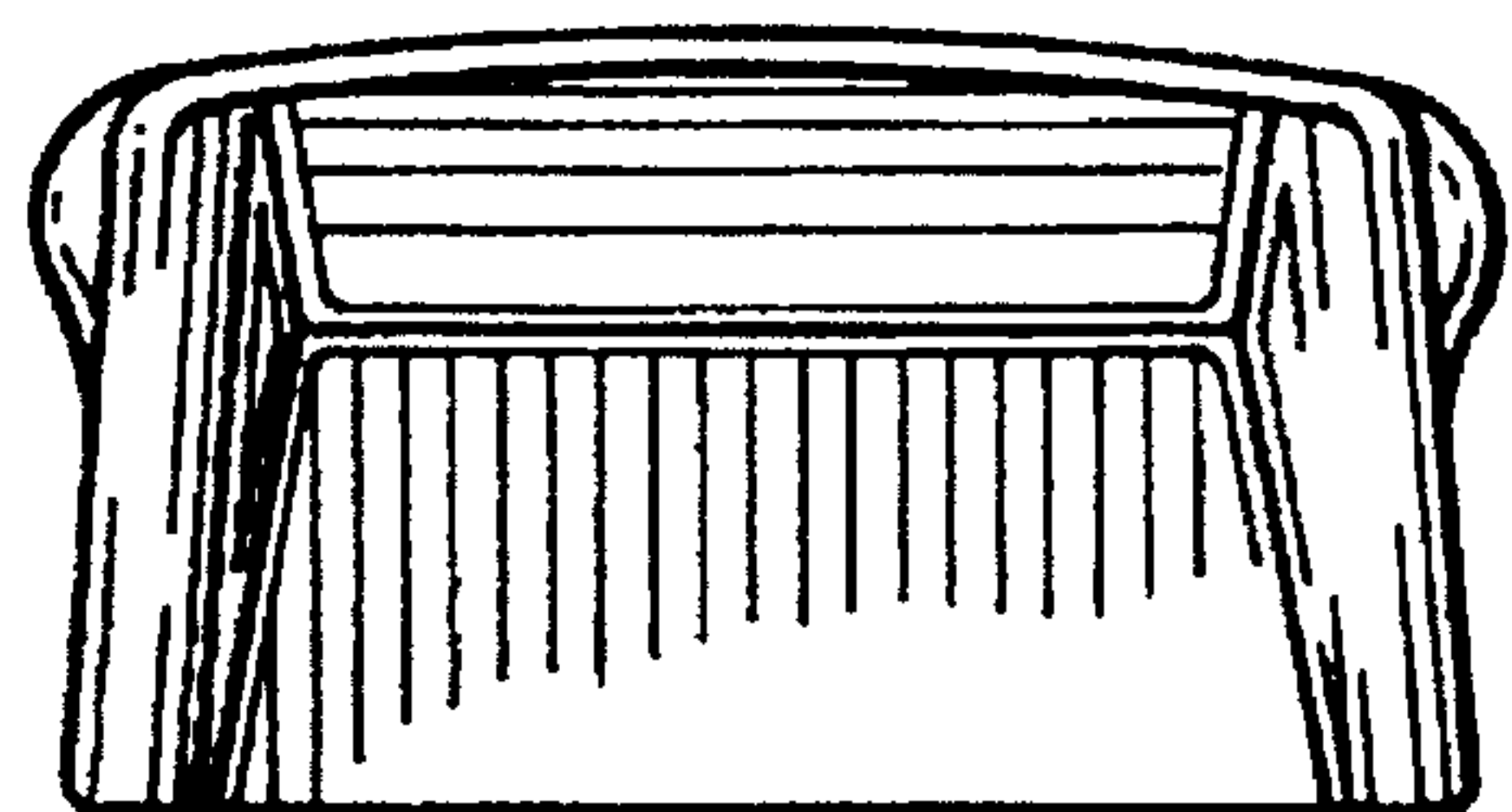


FIG. 8