



US00D382461S

United States Patent [19]
Schick

[11] **Patent Number:** **Des. 382,461**
[45] **Date of Patent:** ****Aug. 19, 1997**

[54] **HANDLES FOR DRUM AND PAIL CLOSING TOOL**

[76] Inventor: **Wade L. Schick**, 2019 Debbie La.,
Lodi, Calif. 95242

[**] Term: **14 Years**

[21] Appl. No.: **34,861**

[22] Filed: **Dec. 12, 1994**

[51] LOC (6) Cl. **08-06**

[52] U.S. Cl. **D8/107; D8/51; 294/50.8**

[58] Field of Search **D8/14, 10, 51,**
D8/107, 1; 29/267, 268; 16/110 R, 111 R;
294/50.7, 50.8, 57, 58

[56] **References Cited**

U.S. PATENT DOCUMENTS

| | | | | |
|------------|---------|---------------|-------|----------|
| D. 83,868 | 4/1931 | Lindsey, Jr. | | D8/1 |
| D. 289,132 | 4/1987 | Wright et al. | | D8/14 |
| D. 331,652 | 12/1992 | Wu | | D8/10 |
| D. 347,986 | 6/1994 | Booth | | D8/107 |
| 407,465 | 7/1889 | Brick | | 294/50.8 |
| 4,944,541 | 7/1990 | Waldschmidt | | 294/58 |

Primary Examiner—Ted Shooman
Assistant Examiner—Adir Aronovich
Attorney, Agent, or Firm—Lothrop & West

[57] **CLAIM**

The ornamental design for handles for drum and pail closing tool, as shown and described.

DESCRIPTION

FIG. 1 is a left front perspective view of handles for drum and pail closing tool in base position, showing my new design;

FIG. 2 is a top plan view thereof;

FIG. 3 is a front elevational view thereof, the rear elevation being a mirror image;

FIG. 4 is a left side elevational view thereof;

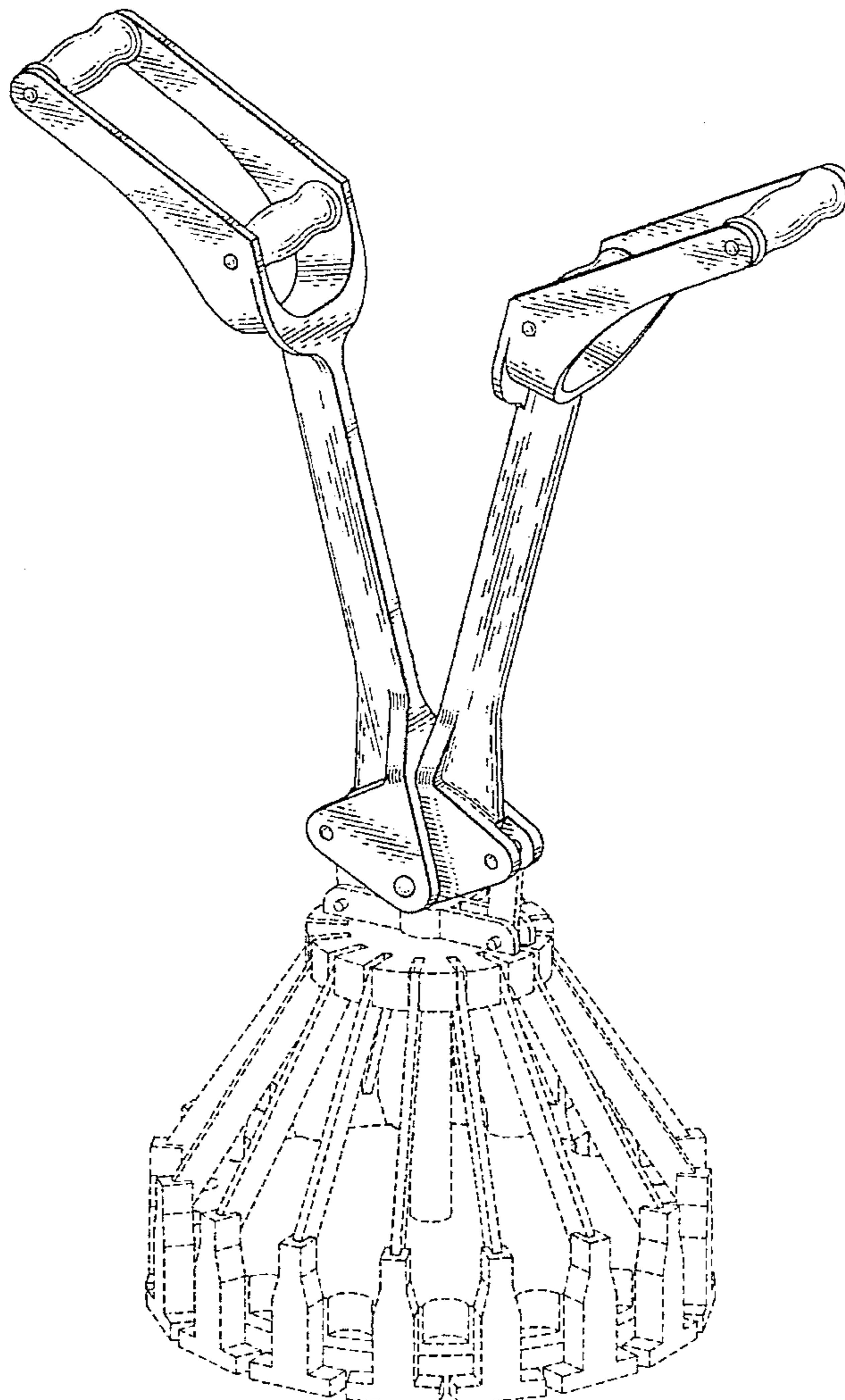
FIG. 5 is a right side elevational view thereof;

FIG. 6 is a bottom plan view thereof; and,

FIG. 7 is a rear elevational view thereof in fully open position.

The broken lines in FIG. 1 represent the peripheral multiple jaws of a drum and pail closing tool and form no part of the present design, the jaws being shown merely to illustrate the environment.

1 Claim, 3 Drawing Sheets



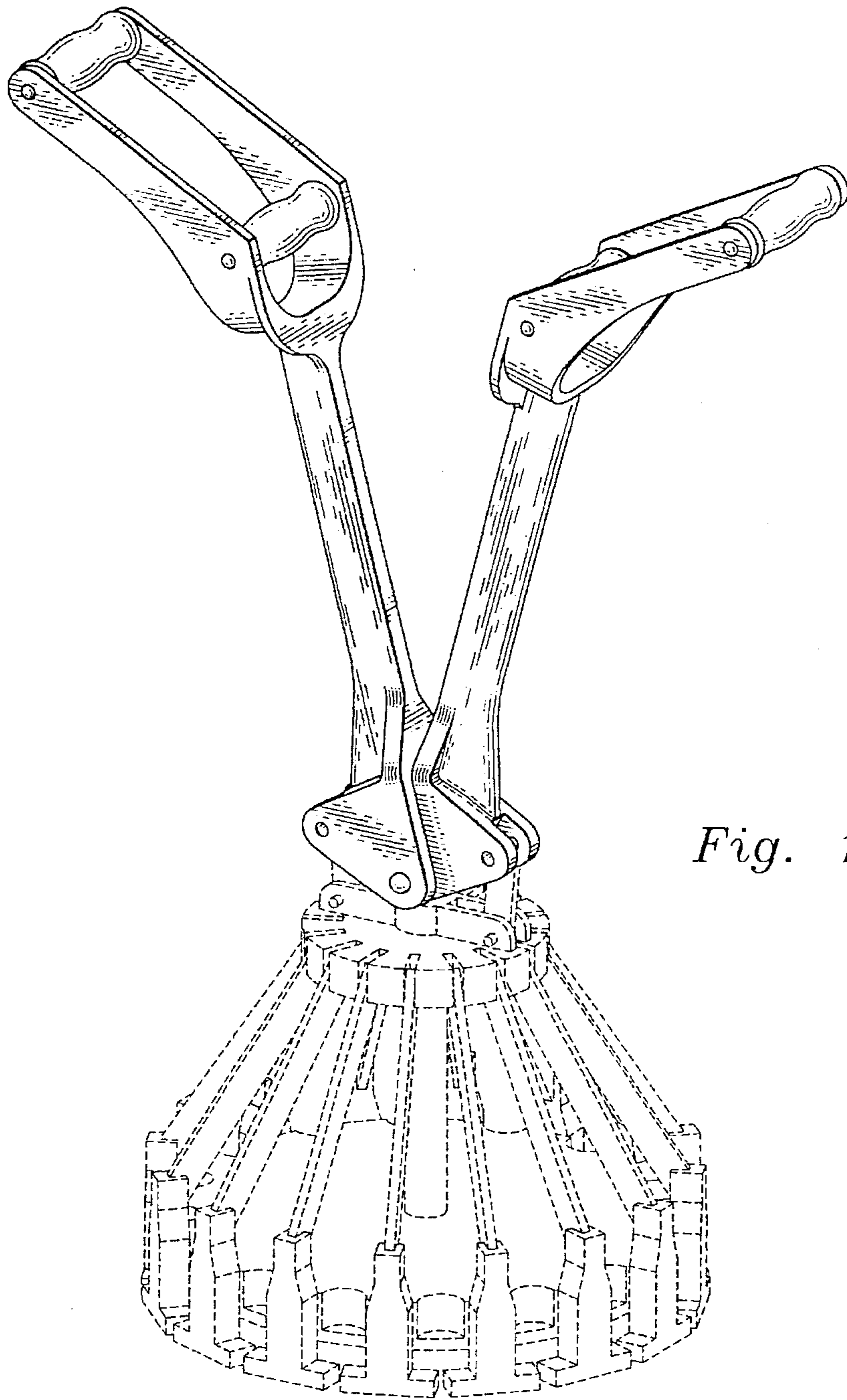


Fig. 1

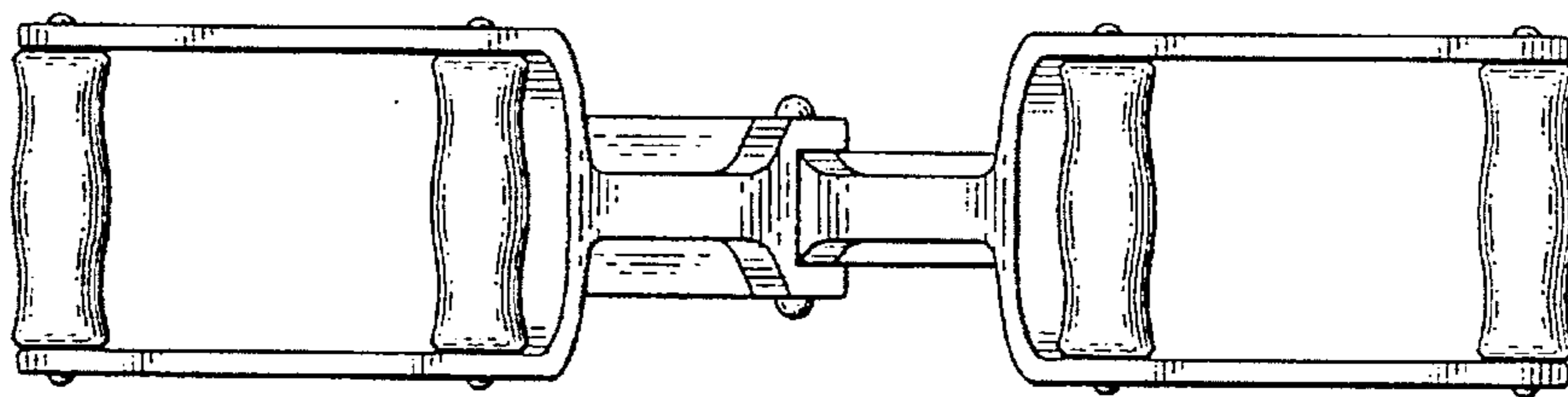


Fig. 2

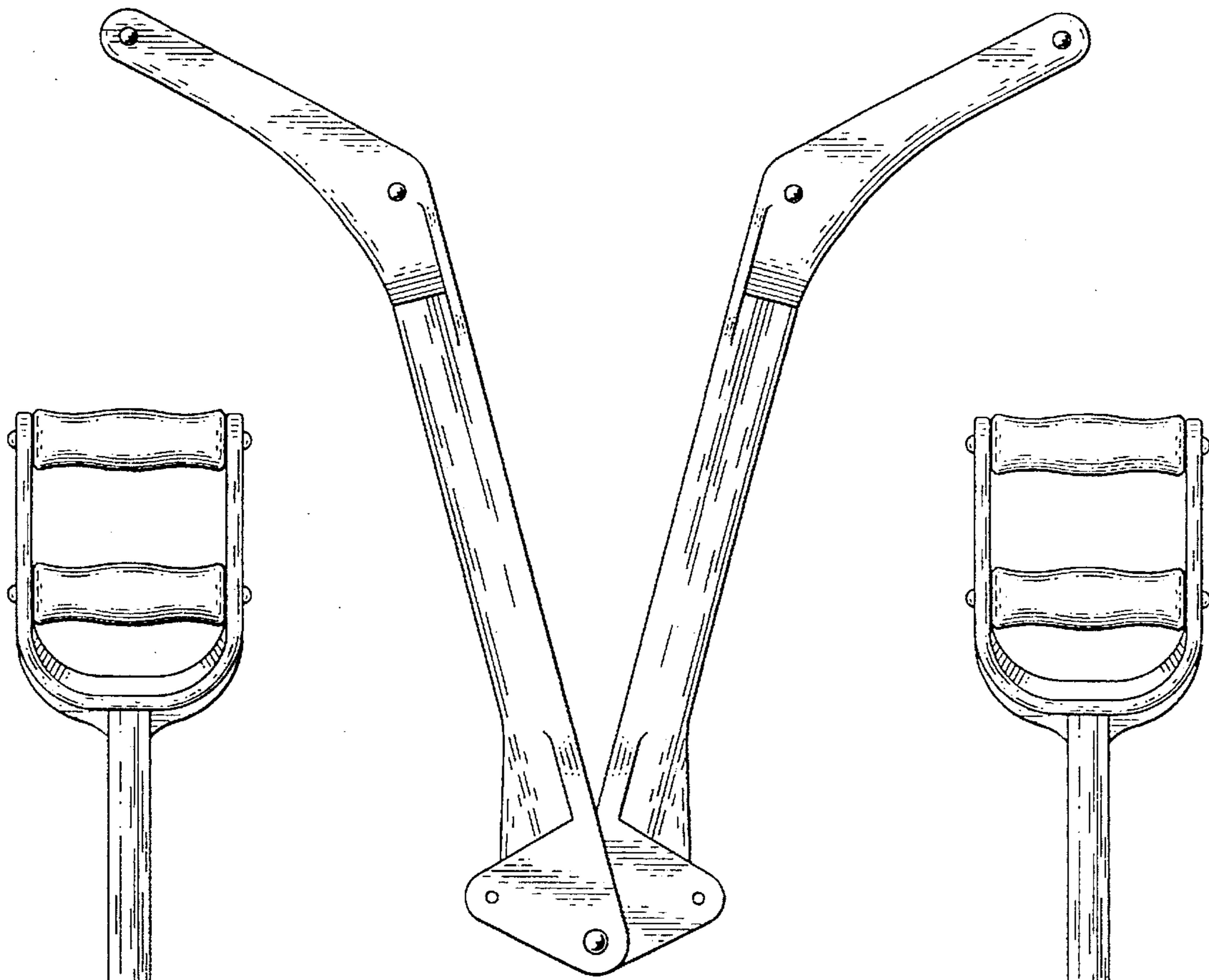


Fig. 3

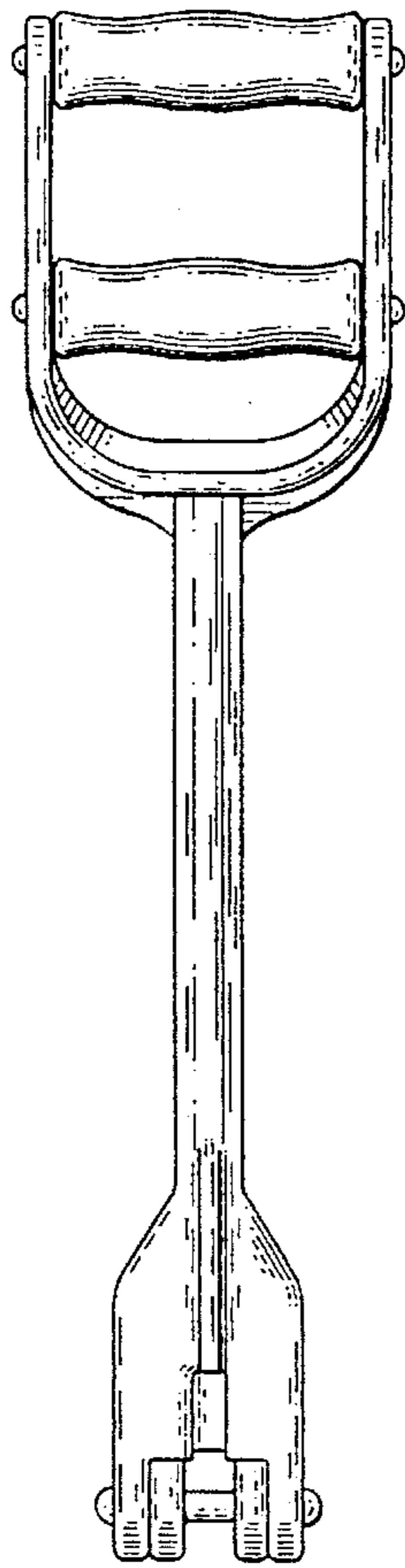


Fig. 4

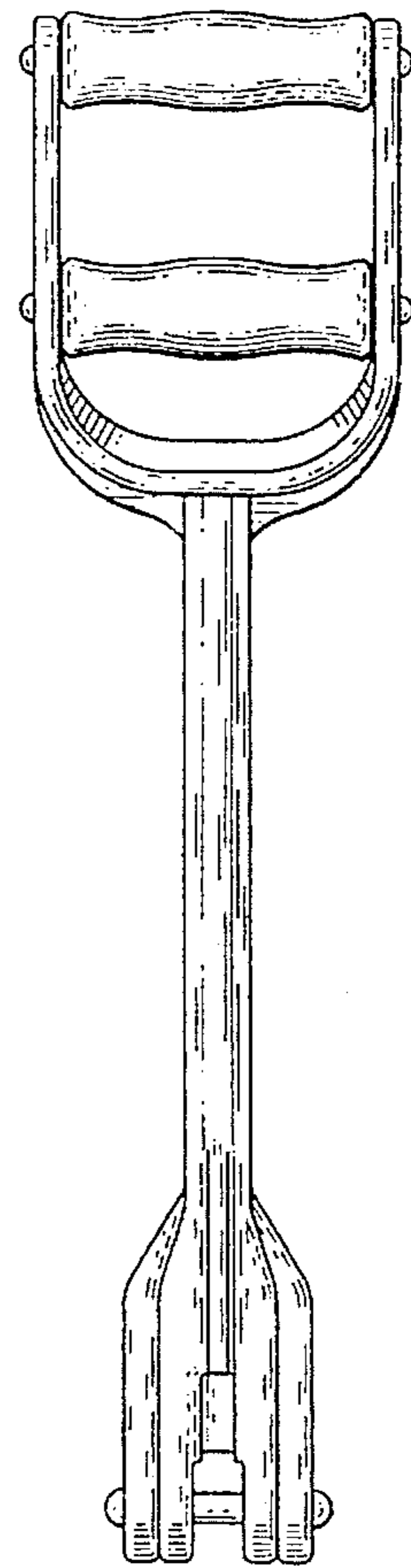


Fig. 5

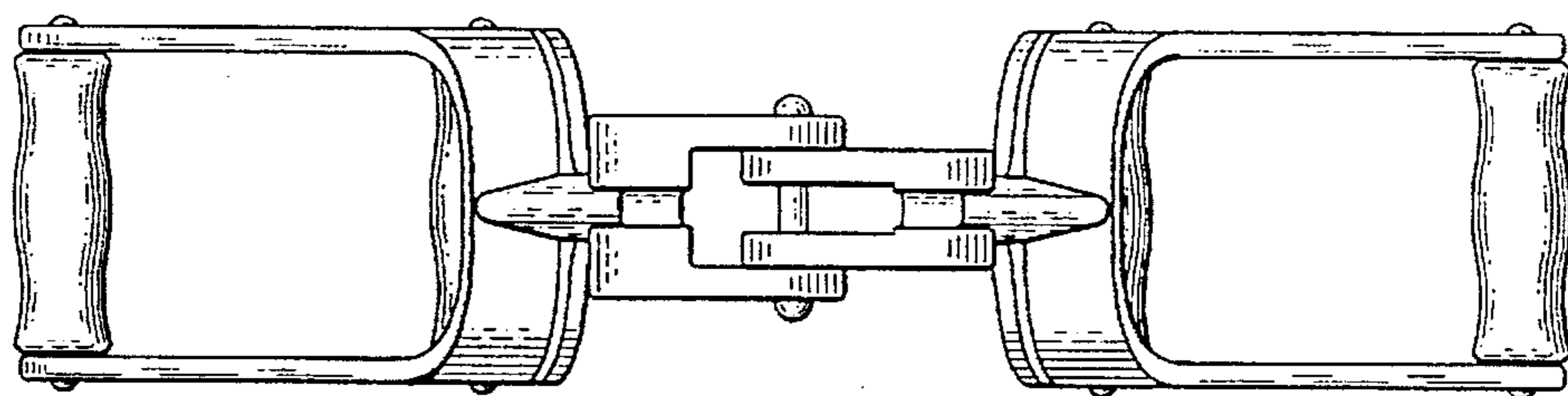


Fig. 6

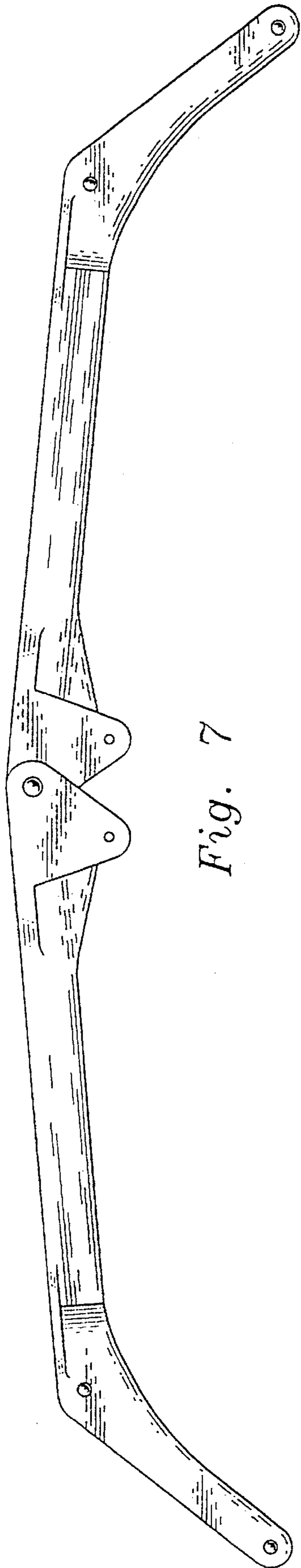


Fig. 7