



US00D382457S

**United States Patent** [19]  
**Ghode et al.**

[11] **Patent Number: Des. 382,457**

[45] **Date of Patent: \*\*Aug. 19, 1997**

[54] **CORDLESS DRILL**

[75] **Inventors: Anil P Ghode**, Libertyville, Ill.; **Martin S. Scolaro**, Racine, Wis.; **Joshua M. Beer**, Kenosha, Wis.; **Scott H. Micoley**, Cedarburg, Wis.

[73] **Assignee: Snap-on Technologies, Inc.**, Crystal Lake, Ill.

[\*\*] **Term: 14 Years**

[21] **Appl. No.: 51,646**

[22] **Filed: Mar. 14, 1996**

[51] **LOC (6) Cl. .... 08-01**

[52] **U.S. Cl. .... D8/68**

[58] **Field of Search** ..... D8/8; 74/371;  
81/57.43, 57.11, 177.6, 436, 438; 178/170,  
217

[56] **References Cited**

**U.S. PATENT DOCUMENTS**

D. 360,814	8/1995	Kinata .....	D8/68
4,493,223	1/1985	Kishi et al. ....	74/371
5,360,073	11/1994	Akazawa .....	173/217 X

**OTHER PUBLICATIONS**

Sheet of literature on Panasonic Cordless Drill.

Sheet of literature on Bosch Cordless Drill, model #300VSRK and #3050VSR.

Sheets of literature on Skil Cordless Drill, model #2375, #2375;44, 2475:02 and 2475:04.

Sheet of literature on Ryobi Cordless Drill, model #TFD-170VR and #TFD-220VR.

*Primary Examiner*—Antione Duval Davis

*Attorney, Agent, or Firm*—Emrich & Dithmar

[57] **CLAIM**

The ornamental design for a cordless drill, as shown and described.

**DESCRIPTION**

FIG. 1 is a perspective view of the cordless drill showing our new design;

FIG. 2 is a side elevational view of one side thereof;

FIG. 3 is a top view thereof;

FIG. 4 is a side elevational view of the other side thereof;

FIG. 5 is a bottom plan view thereof;

FIG. 6 is a front elevational thereof;

FIG. 7 is a rear elevational view thereof;

FIG. 8 is a perspective view of an alternative battery pack in the cordless drill of FIG. 1; with the drill portion of the claimed design being omitted for ease of illustration;

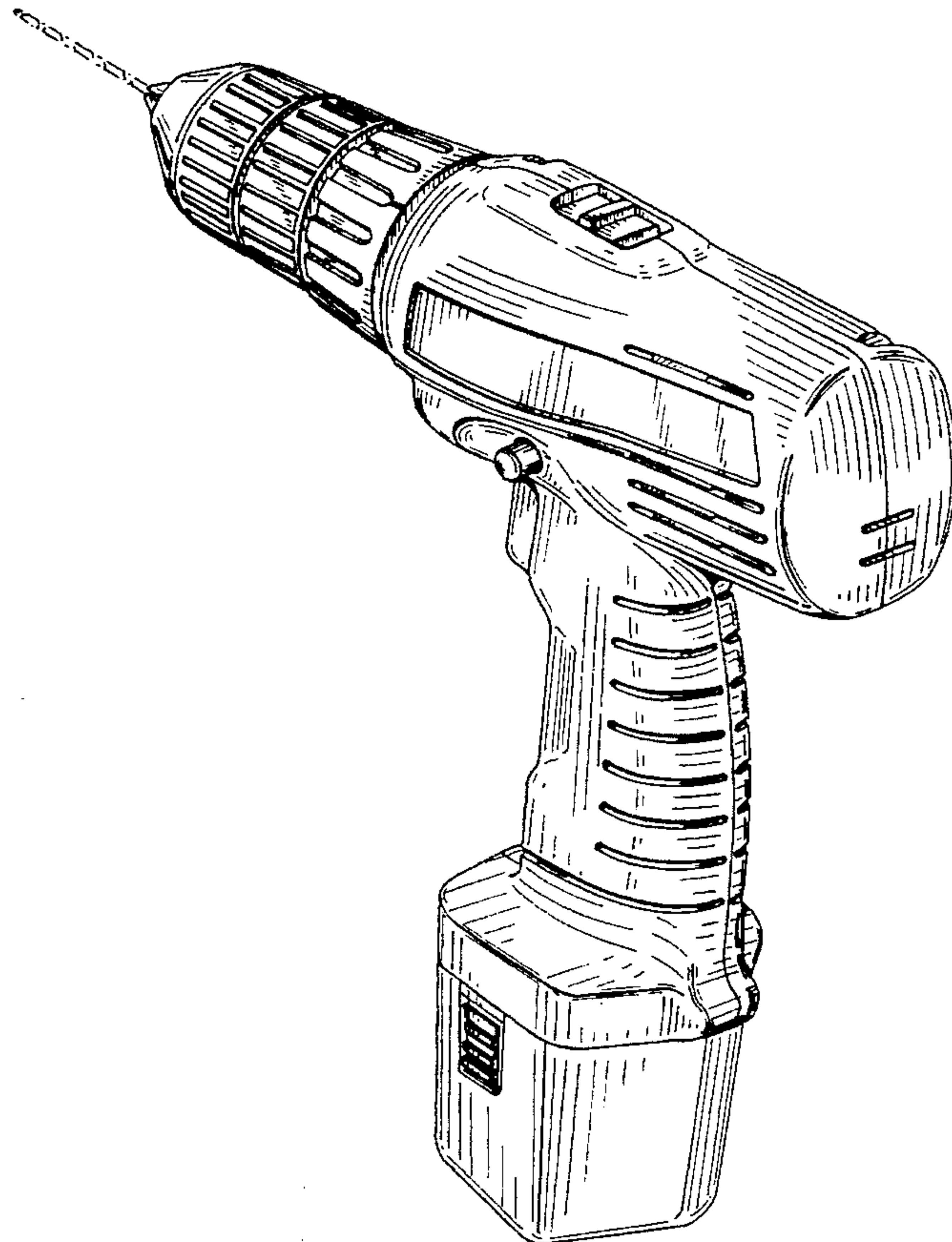
FIG. 9 is a side elevational view of one side of the battery pack, the other side being identical;

FIG. 10 is a front view of the battery pack of FIG. 8; and,

FIG. 11 is a rear view of the battery pack of FIG. 10.

The broken line showing in FIG. 1 is for illustrative purposes only and forms no part of the claimed design.

**1 Claim, 5 Drawing Sheets**



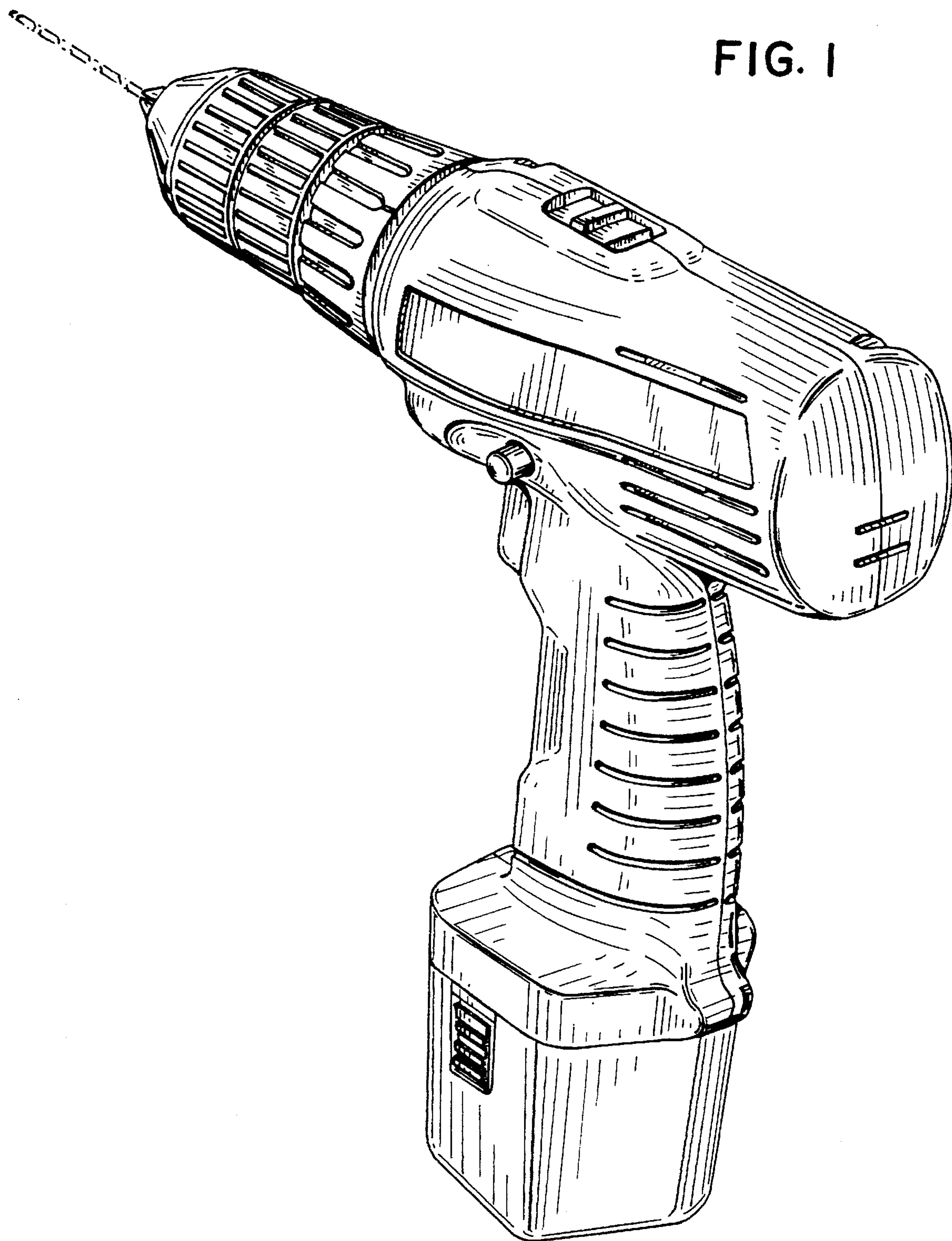


FIG. 1



FIG. 2

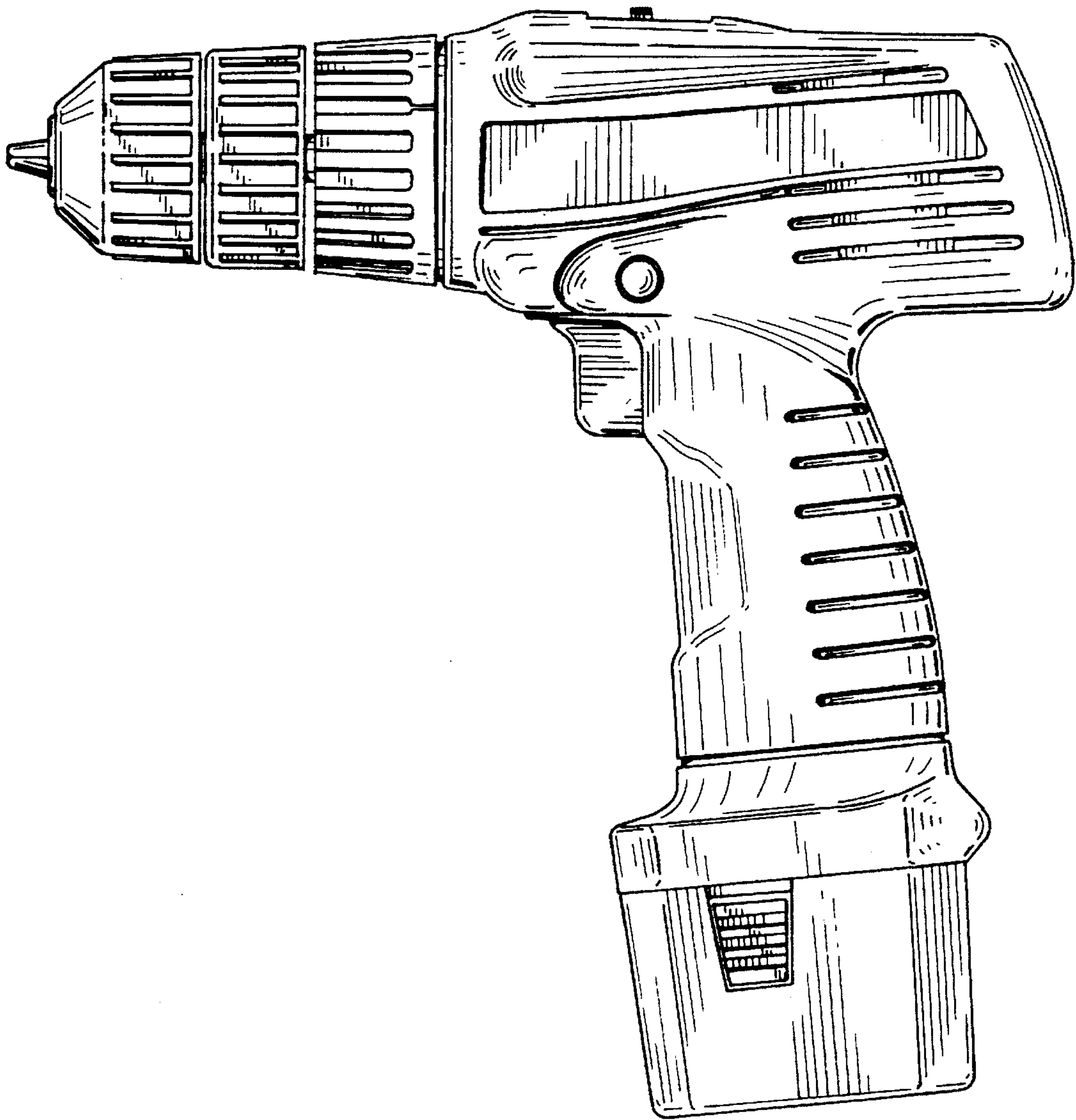


FIG. 3

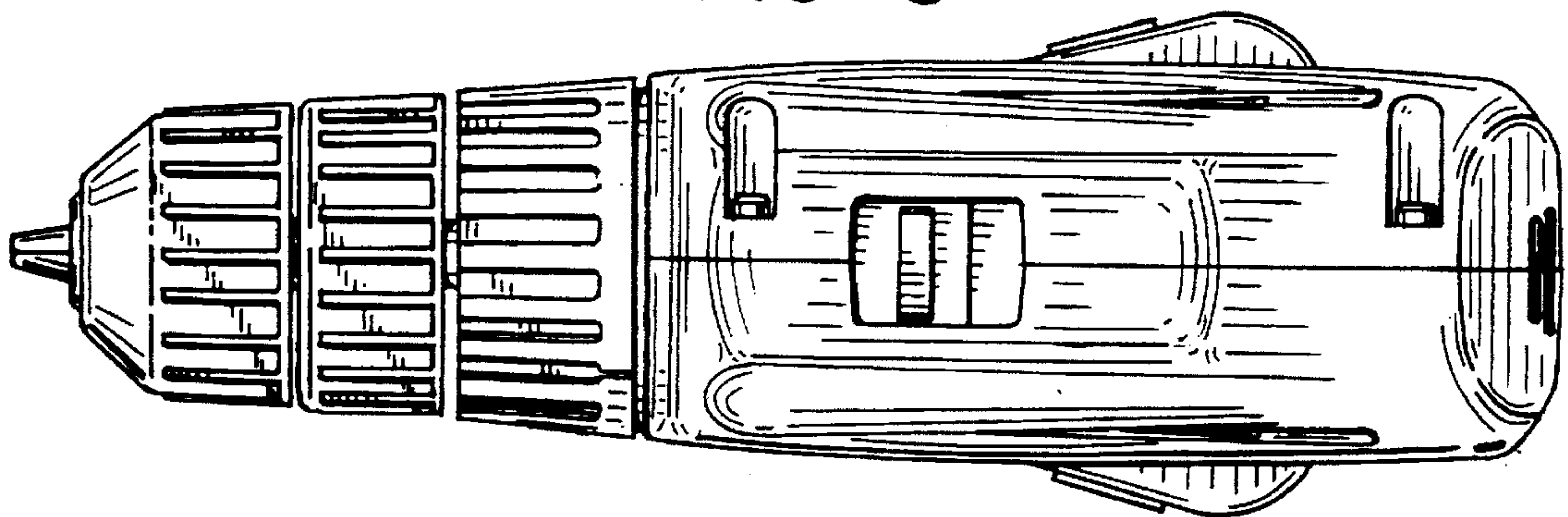


FIG. 4

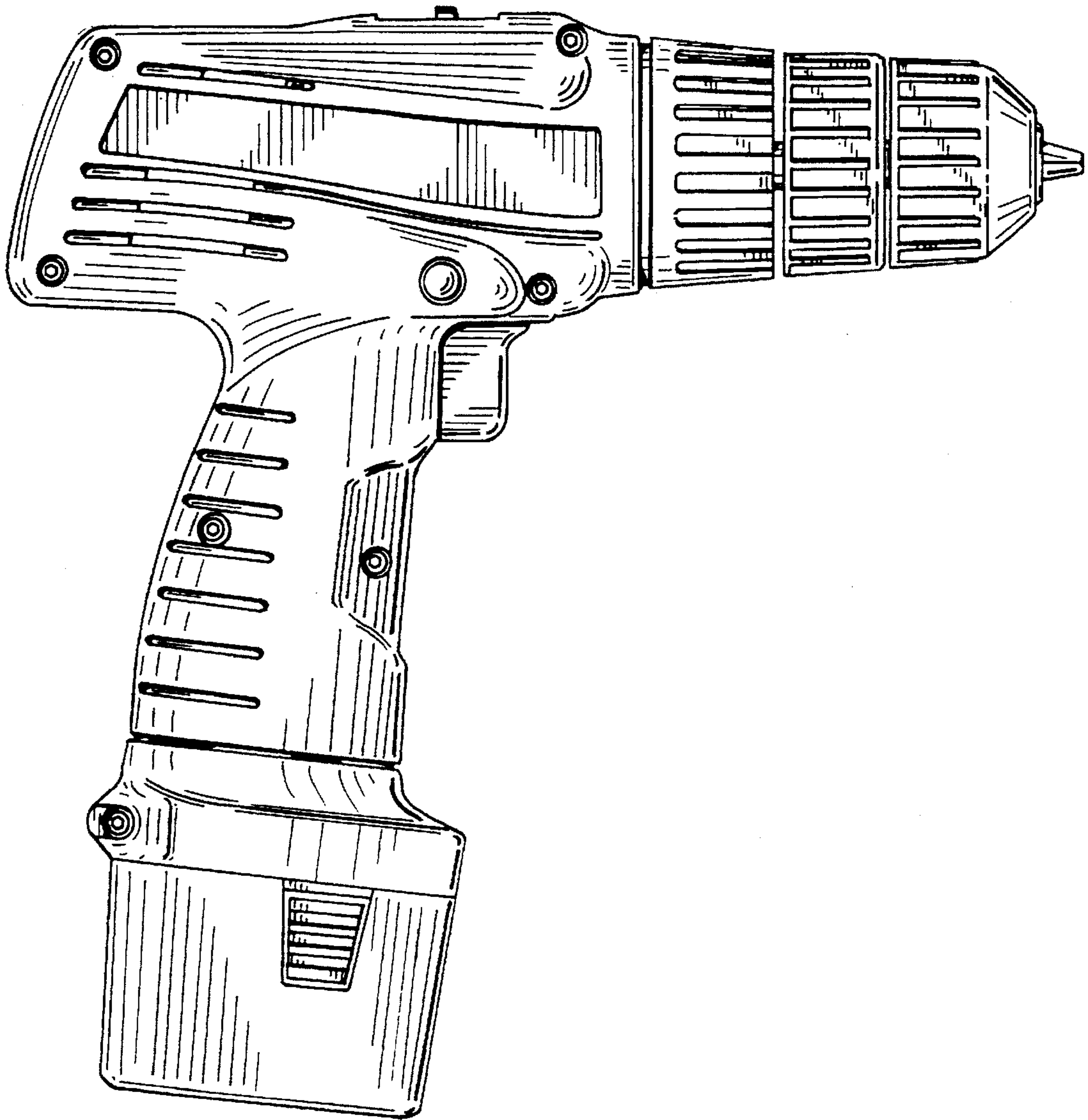


FIG. 5

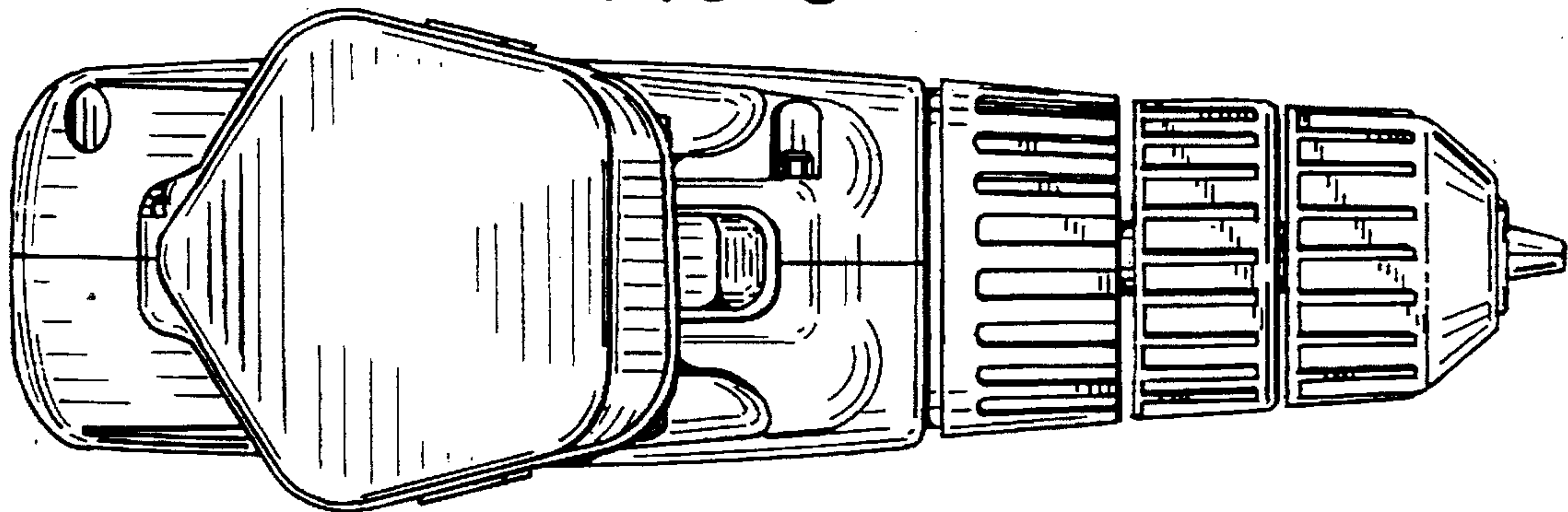


FIG. 6

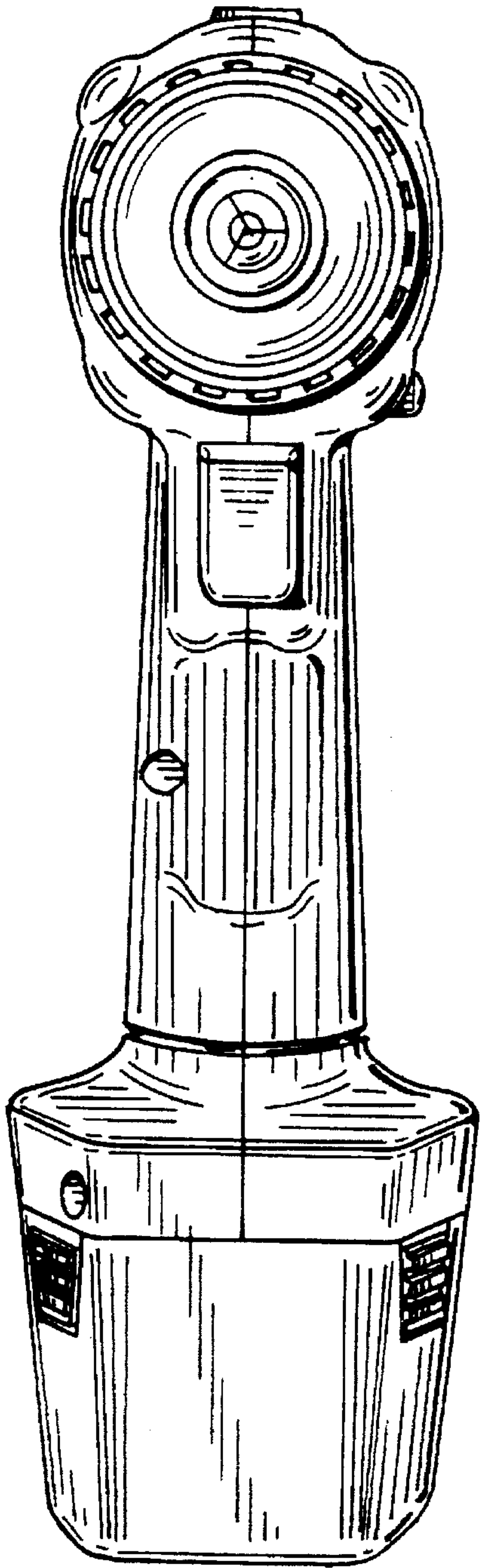
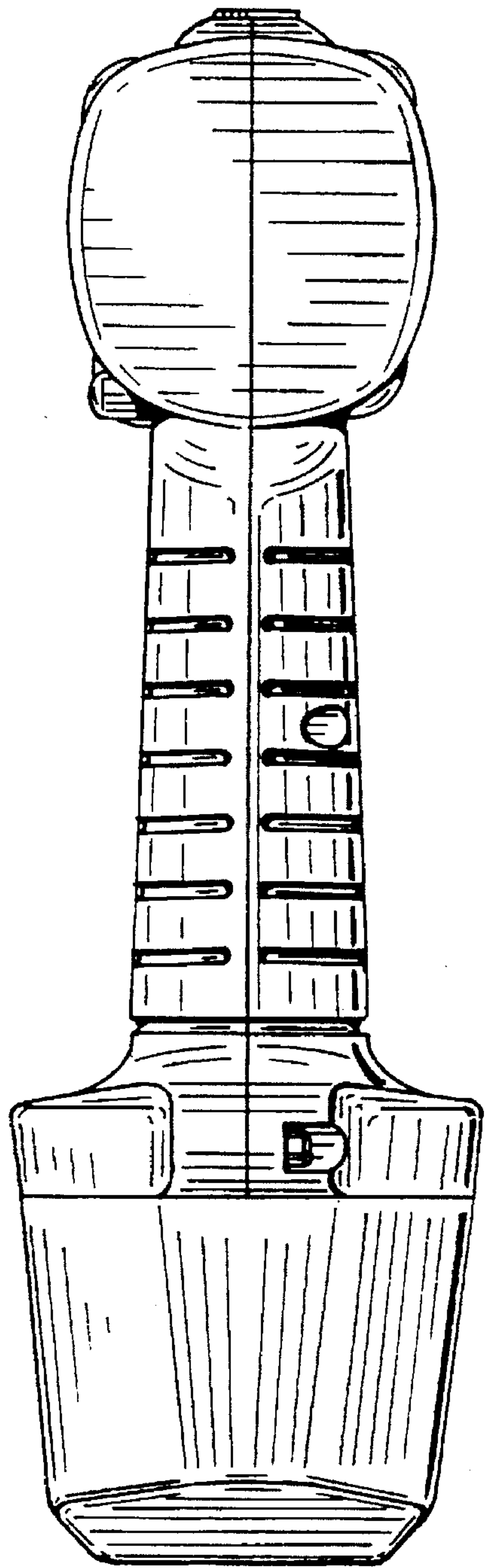


FIG. 7





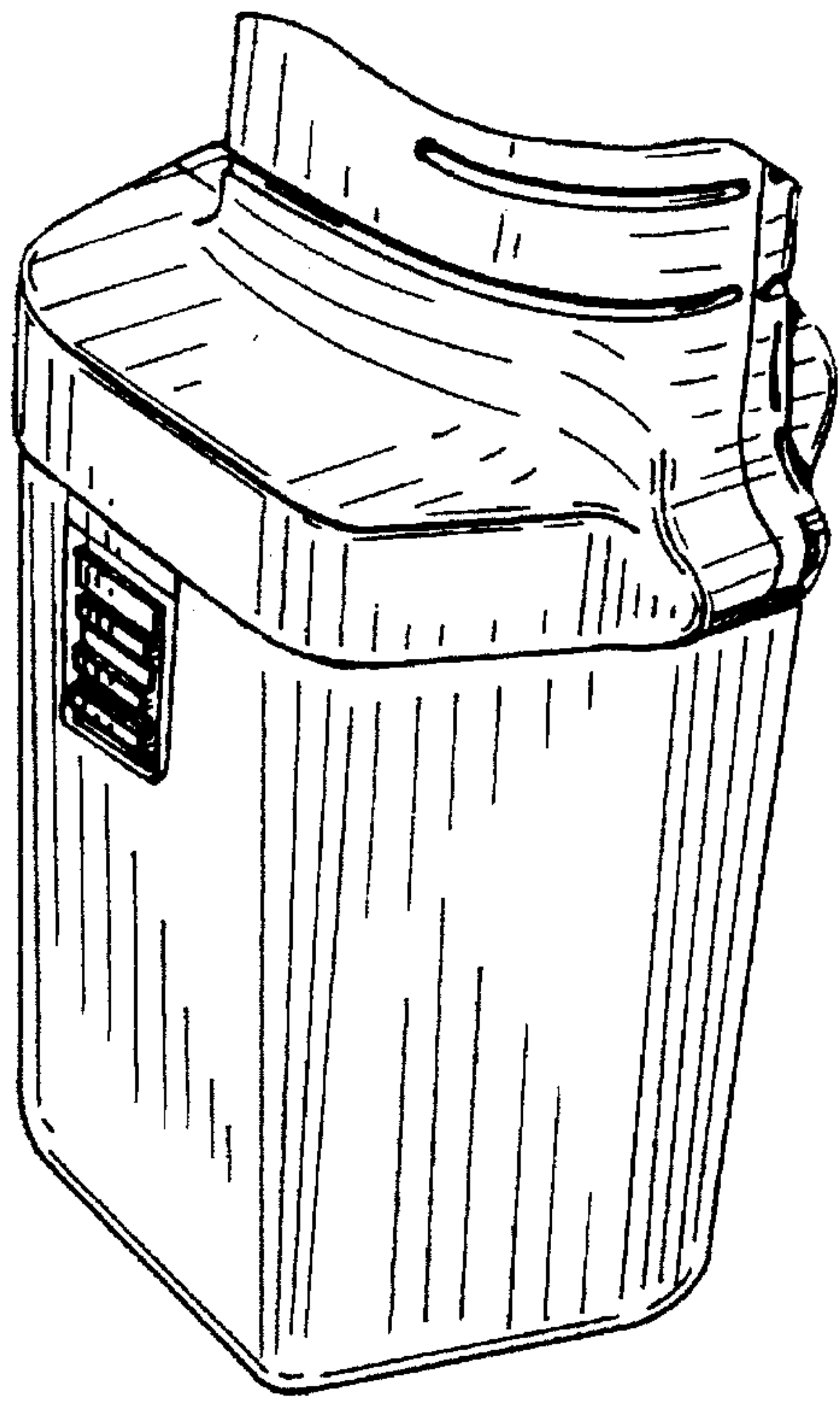


FIG. 8

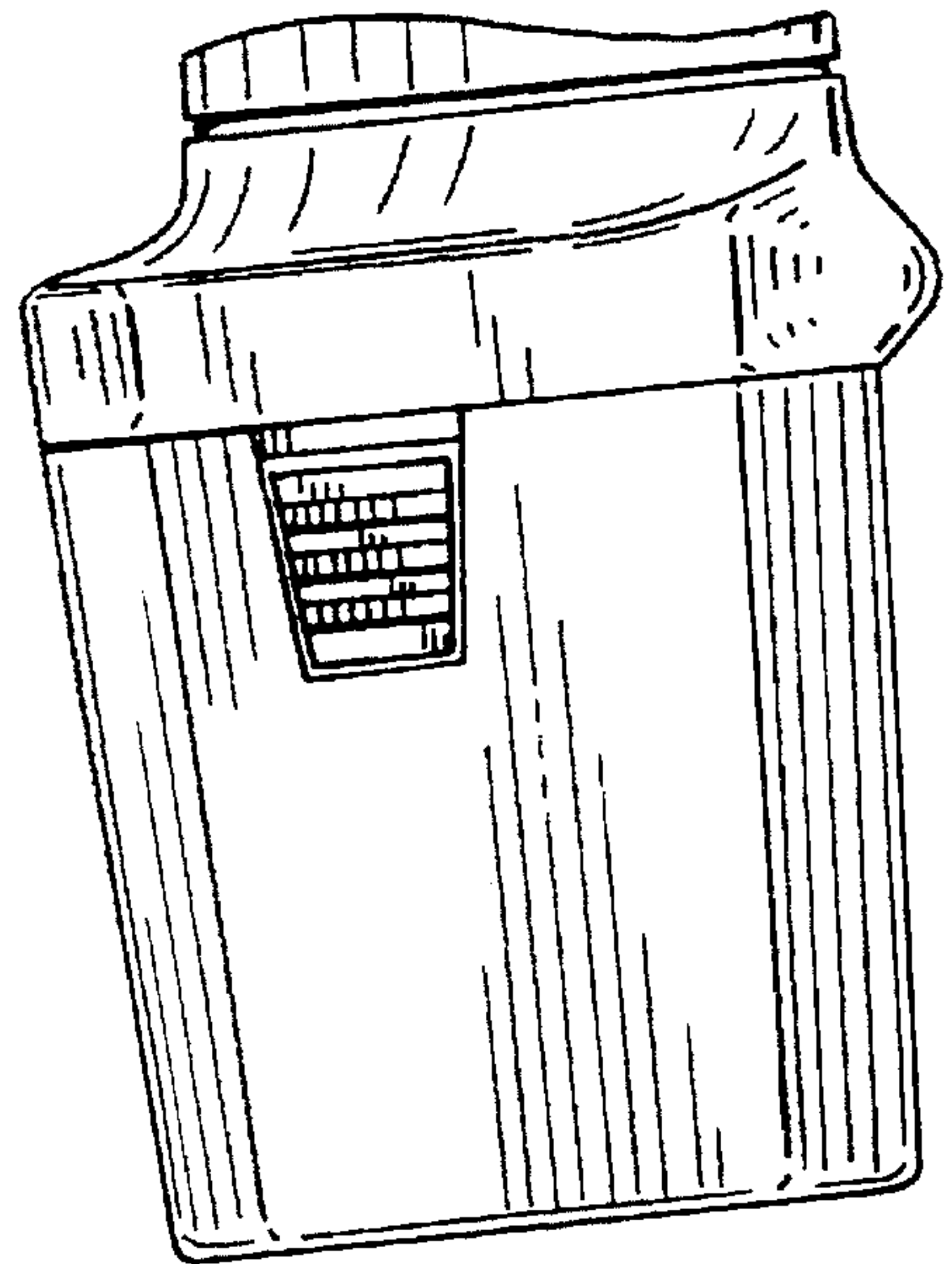


FIG. 9

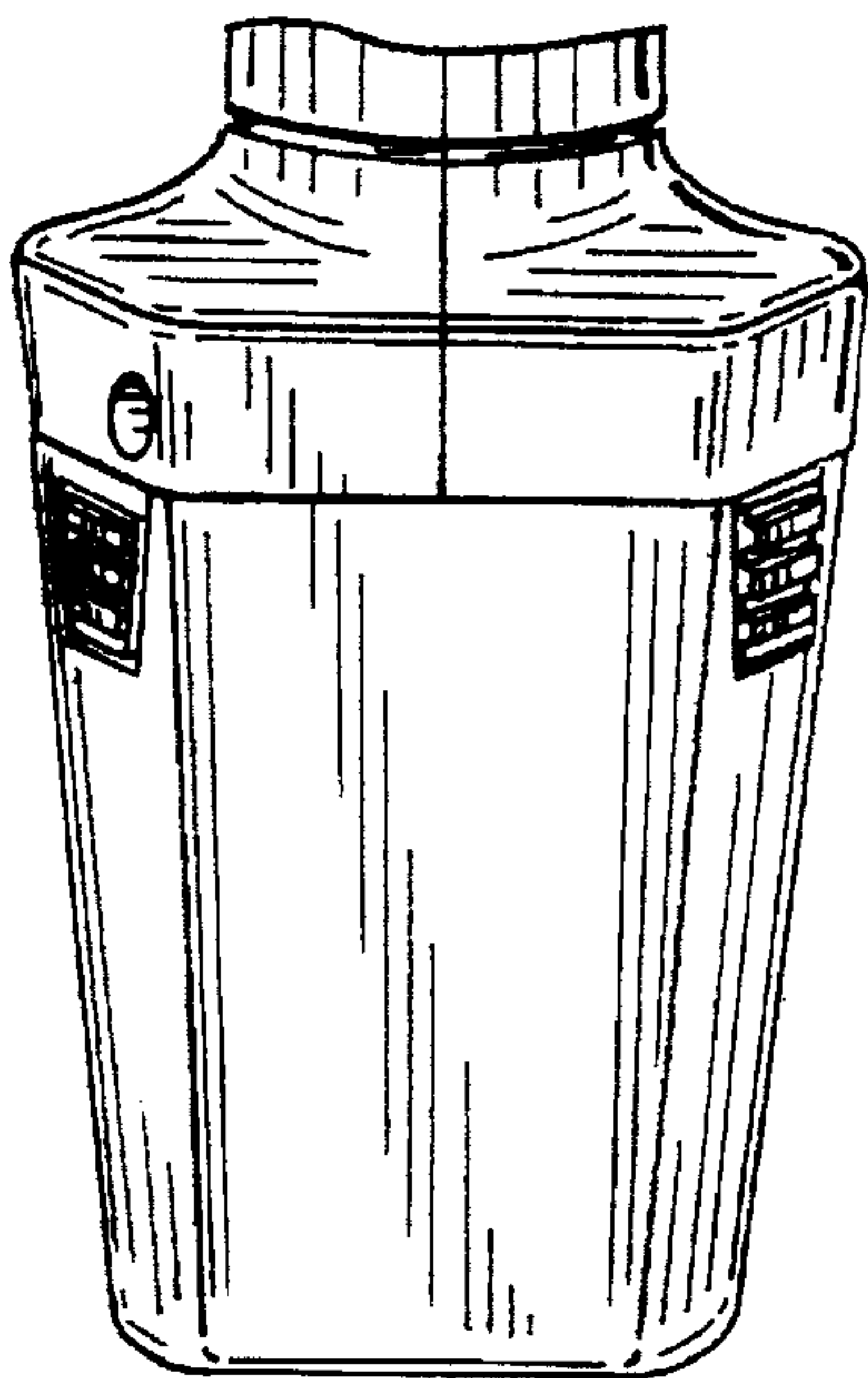


FIG. 10

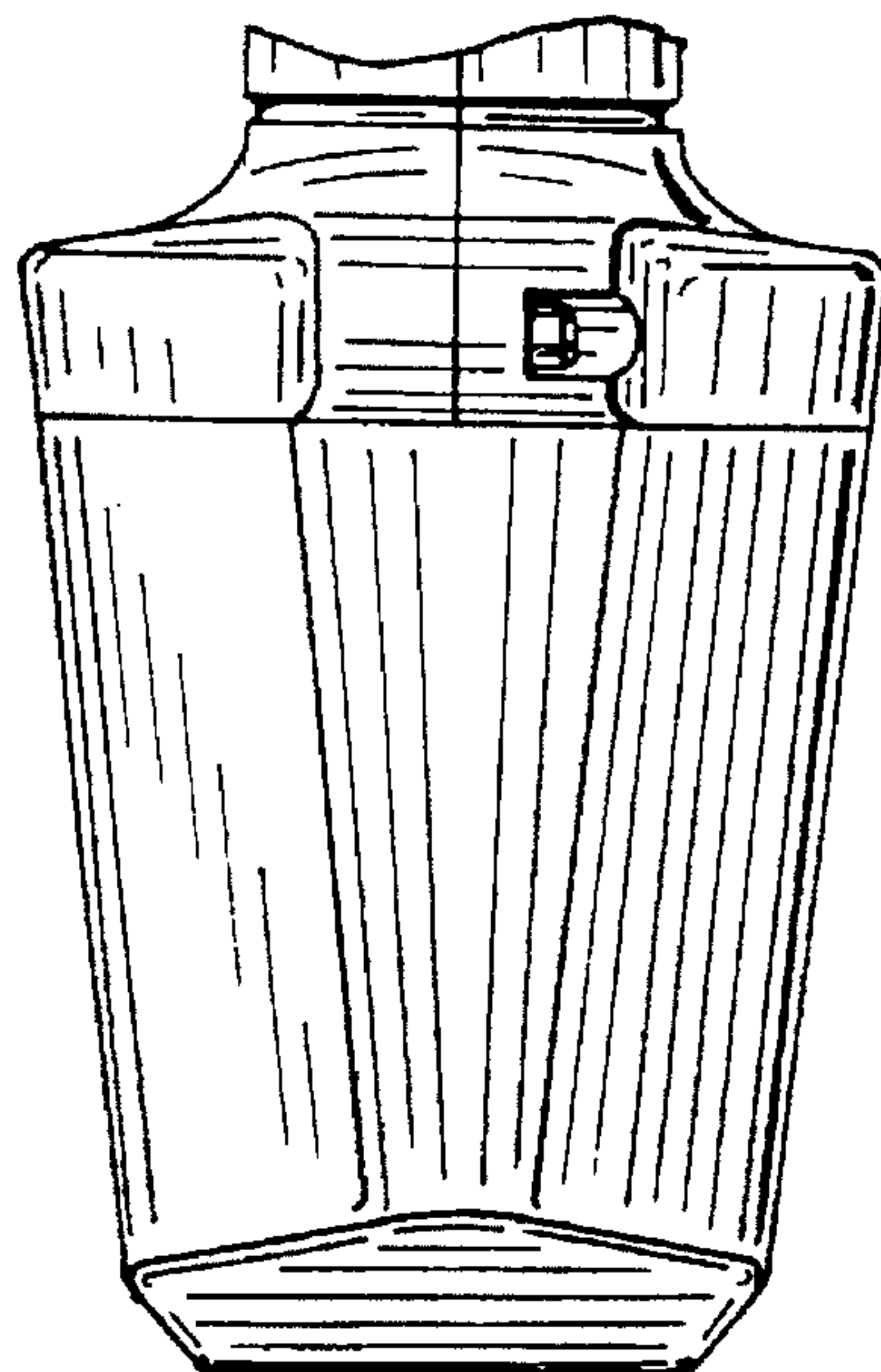


FIG. 11