



US00D382456S

United States Patent [19]
Granville, Jr.

[11] **Patent Number: Des. 382,456**

[45] **Date of Patent: **Aug. 19, 1997**

[54] **WAX STICK GUN**

[76] **Inventor: Joseph W. Granville, Jr., 124 Oak St.,
Hawley, Pa. 18428**

[**] **Term: 14 Years**

[21] **Appl. No.: 38,544**

[22] **Filed: May 8, 1995**

[51] **LOC (6) Cl. 08-05**

[52] **U.S. Cl. D8/68; D8/14.1**

[58] **Field of Search D8/14.1, 68; D23/245;
219/227, 229, 236, 242, 501; 222/146.1,
327, 391; 401/1, 2, 263; 433/32**

[56] **References Cited**

U.S. PATENT DOCUMENTS

D. 181,600	12/1957	Nilsson	D8/14.1
D. 348,811	7/1994	Albers	D8/14.1
1,555,711	9/1925	Hershinger	222/327
2,892,457	6/1959	Sturtz	222/391
3,104,031	9/1963	Wagner	222/391
3,319,839	5/1967	Cox	222/391
3,744,921	7/1973	Weller et al.	222/146.1
3,831,815	8/1974	Glasgow	222/391
3,933,273	1/1976	Cox	222/391
4,033,484	7/1977	Omsteen	222/146.1
4,065,034	12/1977	Callan	222/146.1
4,339,058	7/1982	Wendt	222/391

4,655,372	4/1987	Ross et al.	D8/14.1 X
4,712,589	12/1987	DeGaspari	141/25
4,869,400	9/1989	Jacobs	222/391
4,977,752	12/1990	Sirek	222/146.5
5,022,563	6/1991	Marchitto et al.	222/391
5,061,178	10/1991	Ueno	433/32
5,346,394	9/1994	DeStefanis	433/32

OTHER PUBLICATIONS

Black & Decker 1/10 Gal. Caulk Gun No. 4750, Black & Decker Technical Bulletin Form 1450.

Primary Examiner—James M. Gandy
Assistant Examiner—Robert M. Spear
Attorney, Agent, or Firm—James A. Hudak

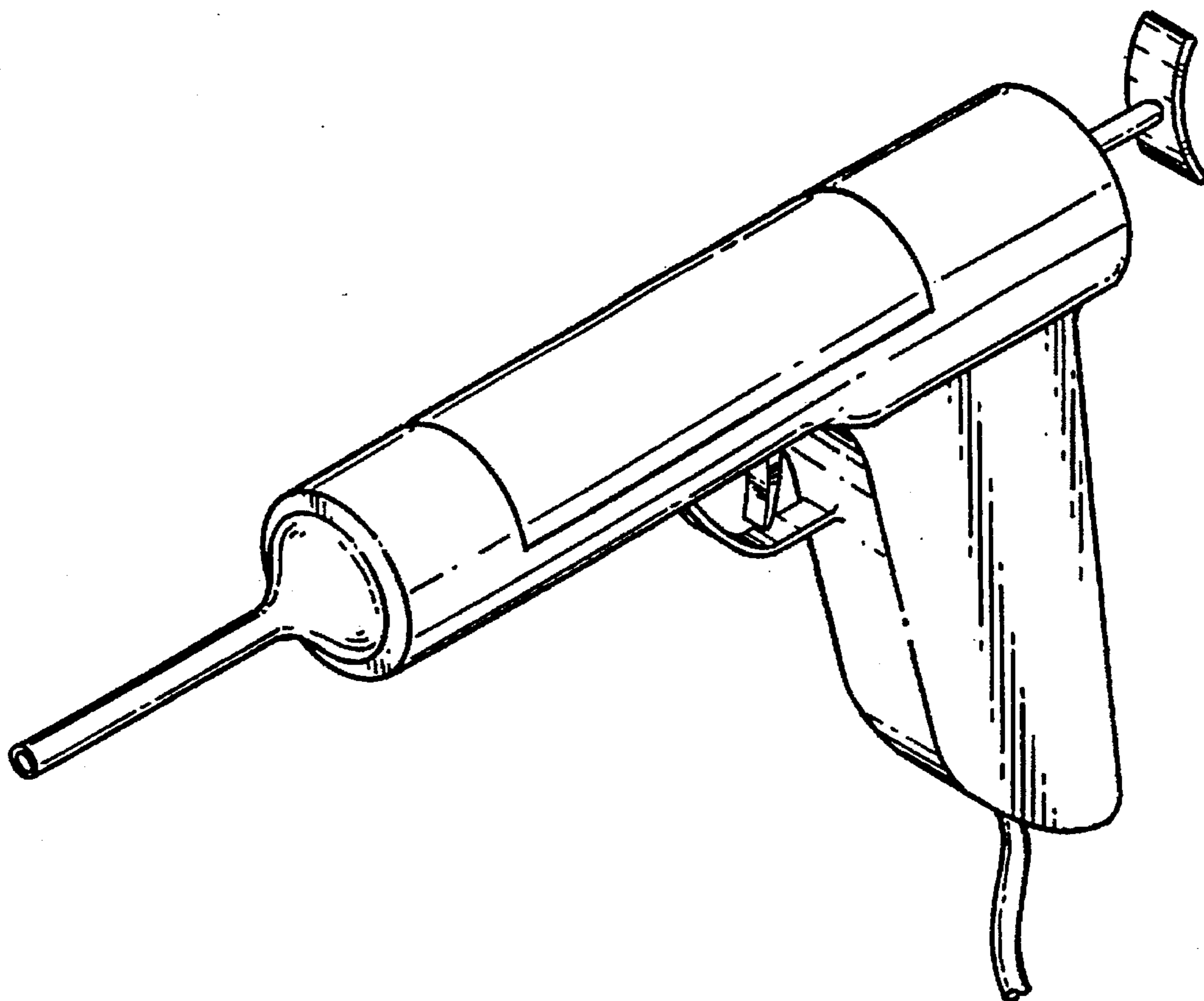
[57] **CLAIM**

The ornamental design for a wax stick gun, as shown and described.

DESCRIPTION

FIG. 1 is a perspective view of a wax stick gun showing my new design;
FIG. 2 is a front elevational view thereof;
FIG. 3 is a rear elevational view thereof;
FIG. 4 is a left side elevational view thereof;
FIG. 5 is a right side elevational view thereof;
FIG. 6 is a top plan view thereof; and,
FIG. 7 is a bottom plan view thereof.

1 Claim, 4 Drawing Sheets



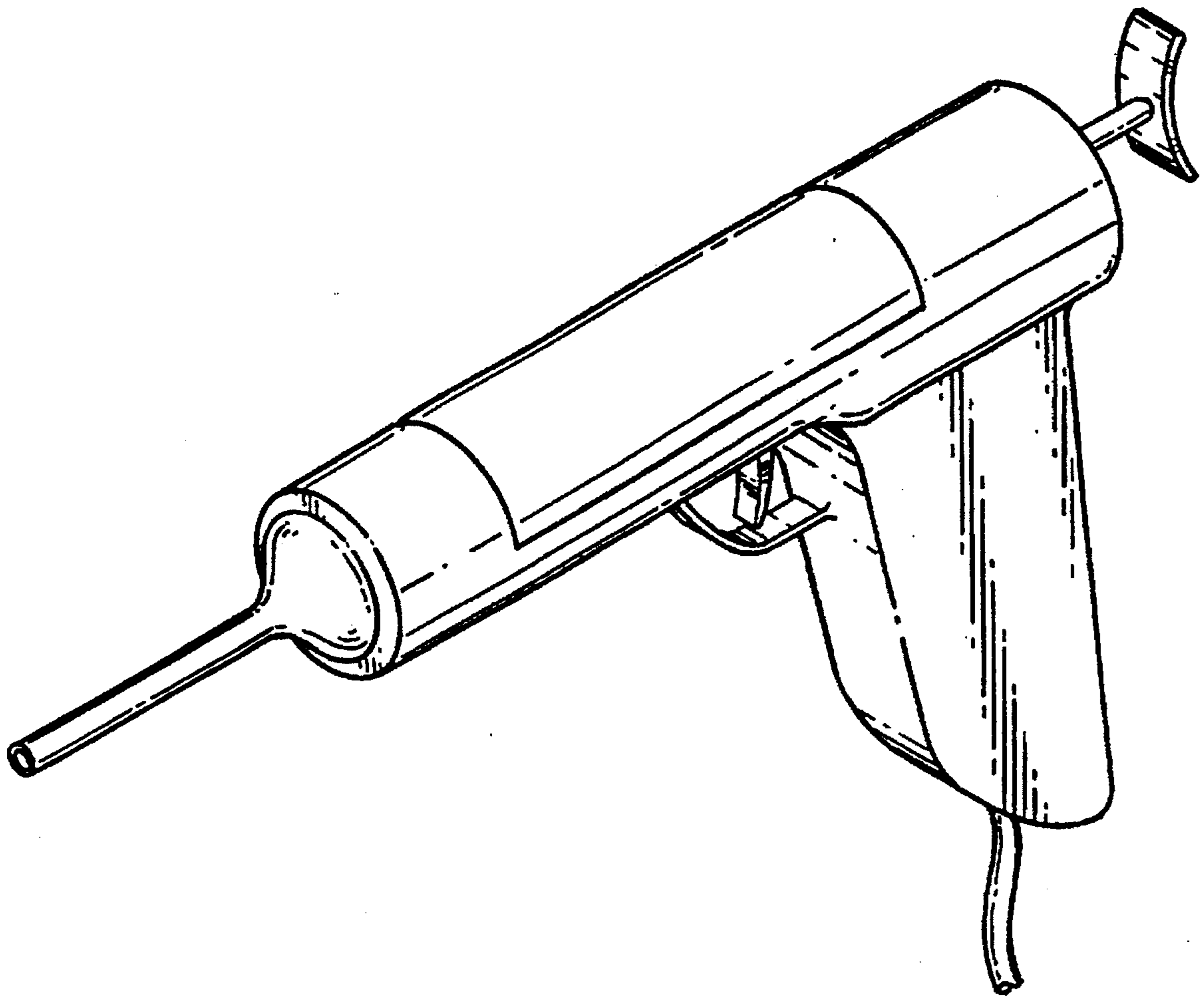


FIG. 1

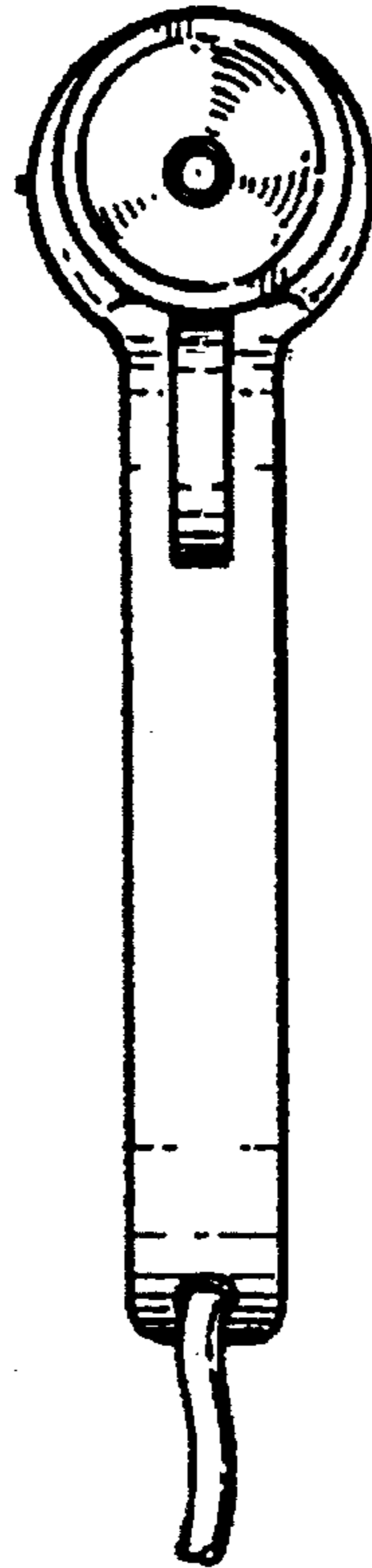


FIG. 2

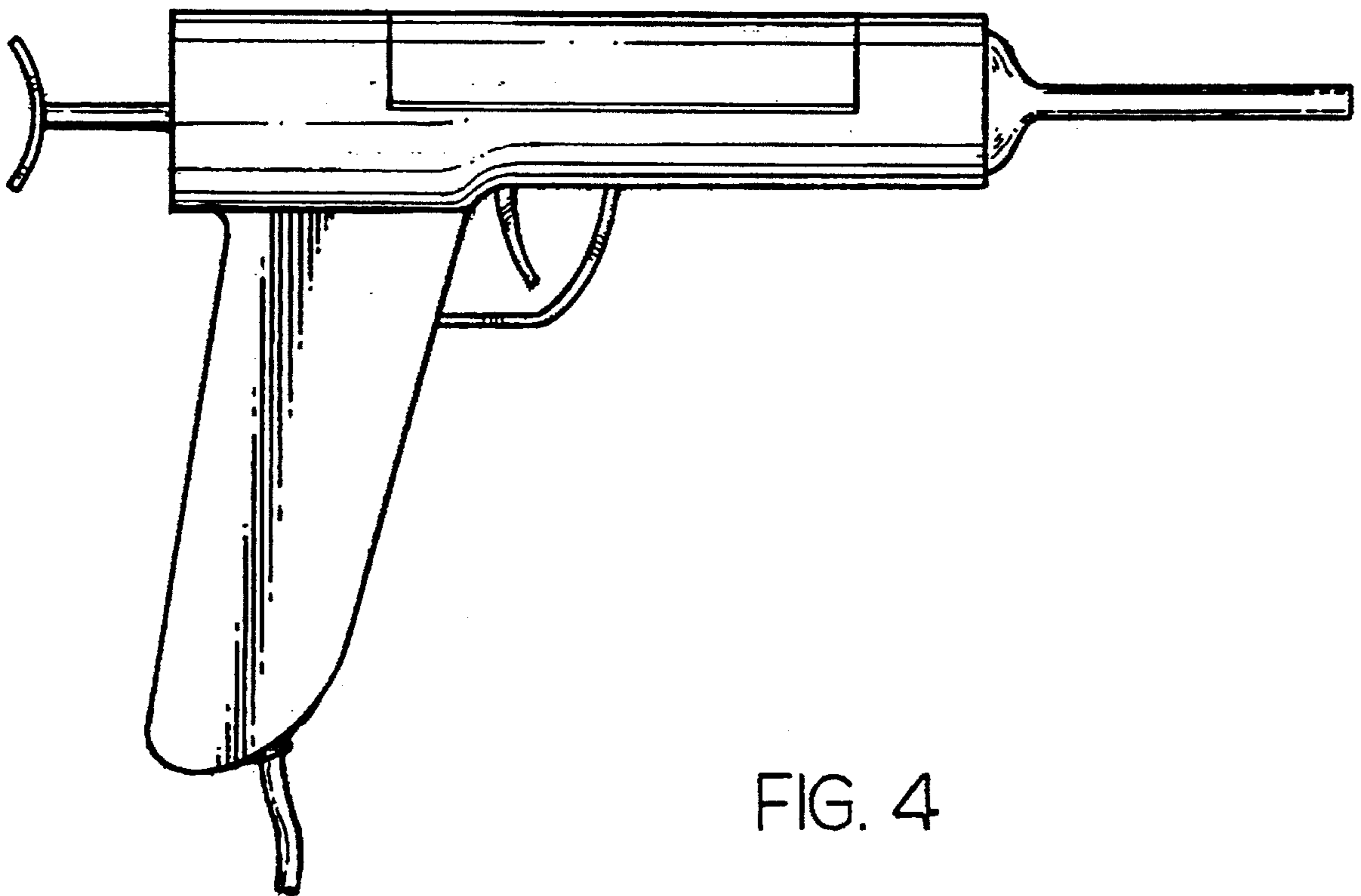


FIG. 4

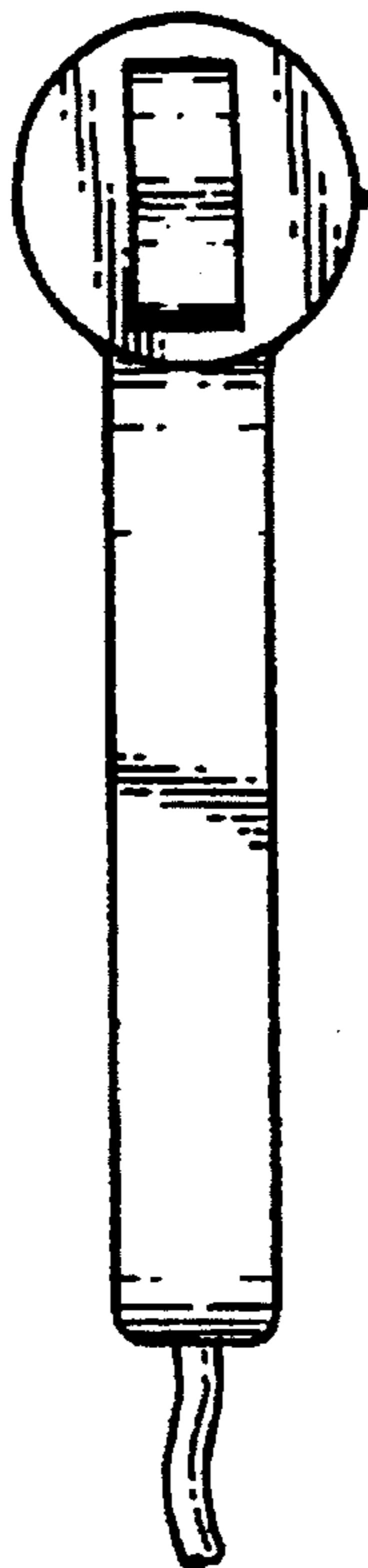


FIG. 3

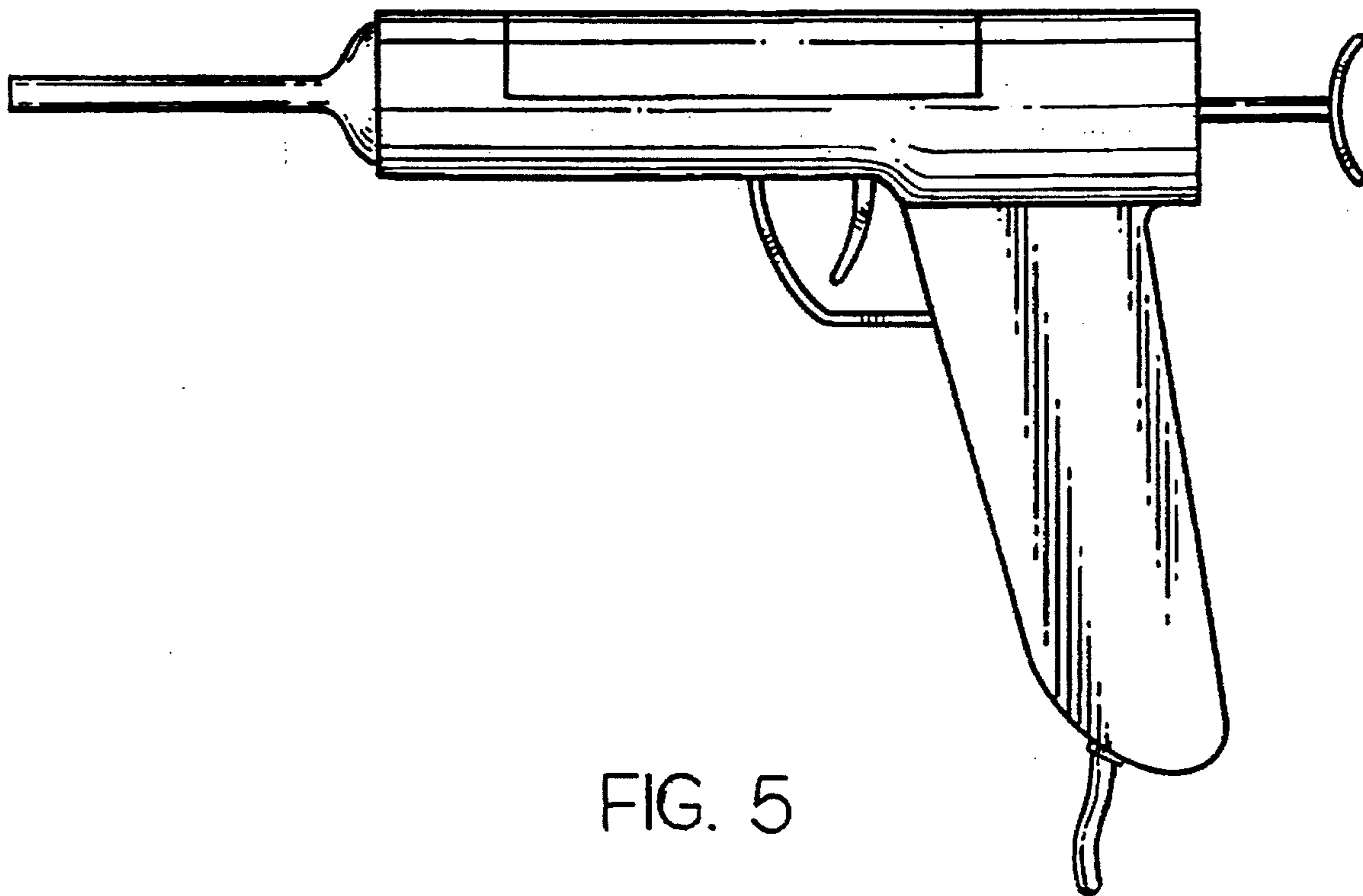


FIG. 5

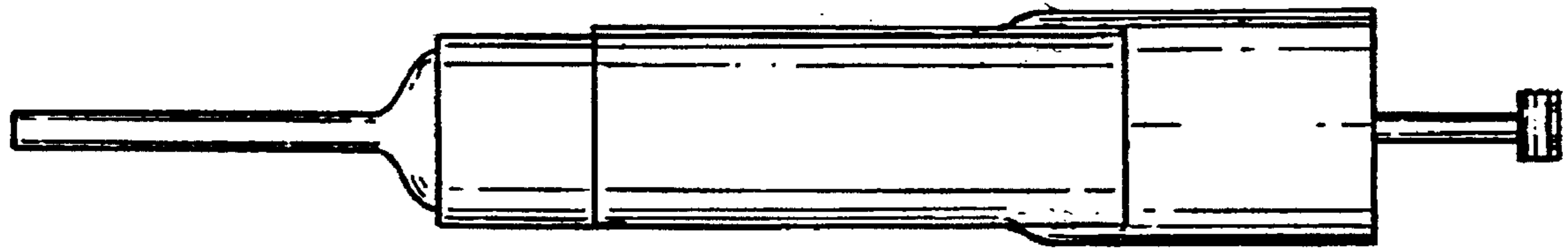


FIG. 6

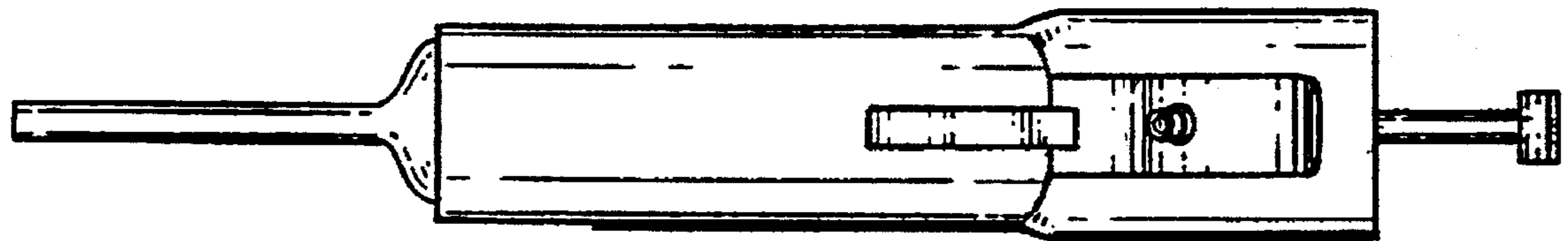


FIG. 7