



US00D382455S

United States Patent [19]

[11] Patent Number: **Des. 382,455**

Berg

[45] Date of Patent: ****Aug. 19, 1997**

[54] **FOLDING SCISSORS FOR A MULTI-PURPOSE TOOL**

2322229 5/1974 Germany .
521555 3/1955 Italy .

[75] Inventor: **Howard G. Berg**, Gresham, Oreg.

OTHER PUBLICATIONS

[73] Assignee: **Leatherman Tool Group, Inc.**,
Portland, Oreg.

Victorinox Catalog, 1983, p. 15, Pocket Knives with Scissors.

[**] Term: **14 Years**

Slip 'n' Snip Collapsible Scissors, at least as early as Oct. 1994.

[21] Appl. No.: **47,299**

Leatherman Tool Group, Inc., "The Original Leatherman PST II"—Jul. 1995.

[22] Filed: **Nov. 29, 1995**

Folding Scissors, at least as early as Oct. 1994.

[51] LOC (6) Cl. **08-05**

Primary Examiner—Philip S. Hyder

[52] U.S. Cl. **D8/52; D8/57; D8/98**

Attorney, Agent, or Firm—Chernoff, Vilhauer, McClung & Stenzel

[58] Field of Search D8/51, 52, 55,
D8/57, 98, 105; 30/255; 7/118, 128, 106,
127

[57] CLAIM

The ornamental design for a folding scissors for a multi-purpose tool, as shown and described.

[56] References Cited

DESCRIPTION

U.S. PATENT DOCUMENTS

310,439	1/1885	Kamak .	
D. 364,327	11/1995	Graham	D8/105
464,405	12/1891	Widmann .	
515,828	3/1894	Hayden .	
696,995	4/1902	Moser .	
1,828,121	10/1931	Adam et al. .	
2,575,652	11/1951	Bovee	81/43
2,806,282	9/1957	Berg	7/118
4,238,862	12/1980	Leatherman	7/128
5,142,721	9/1992	Sessions et al.	7/128
5,212,844	5/1993	Sessions et al.	7/128
5,400,451	3/1995	Furukawa	7/118

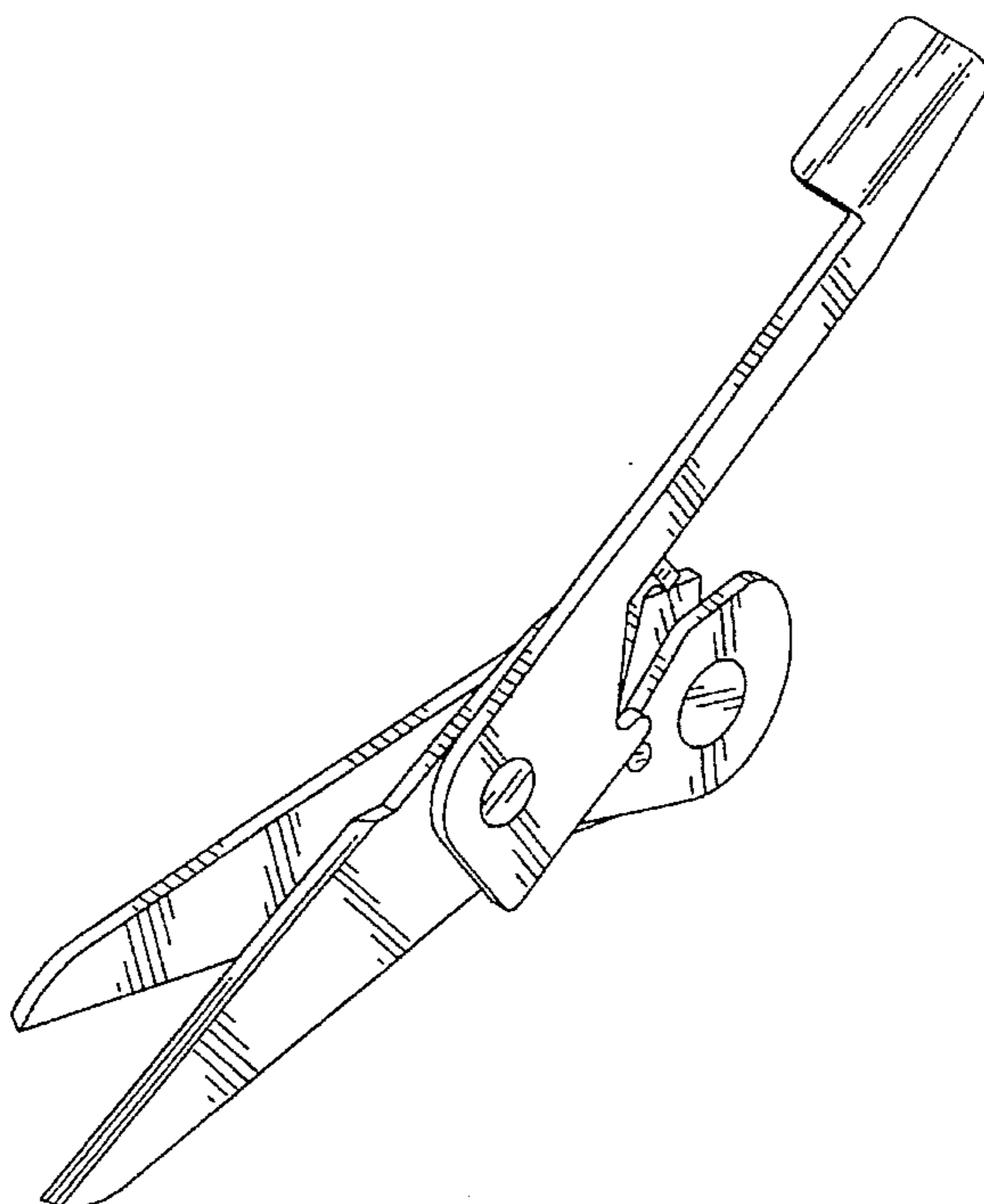
FIG. 1 is a side view of a folding scissors for a multi-purpose tool, showing my new design;
FIG. 2 is a side view of the opposite side of the scissors from that shown in FIG. 1;
FIG. 3 is a top plan view thereof;
FIG. 4 is a bottom plan view thereof;
FIG. 5 is a rear end elevational view thereof;
FIG. 6 is a front end elevational view thereof; and,
FIG. 7 is a perspective view thereof, taken from a point above and ahead of and on the side of the scissors shown in FIG. 1.

FOREIGN PATENT DOCUMENTS

409943	5/1910	France .	
29556	4/1884	Germany .	
145784	7/1902	Germany	7/128

The broken lines depicting the handle of the multi-purpose tool are for illustrative purposes only and form no part of the claimed design.

1 Claim, 3 Drawing Sheets



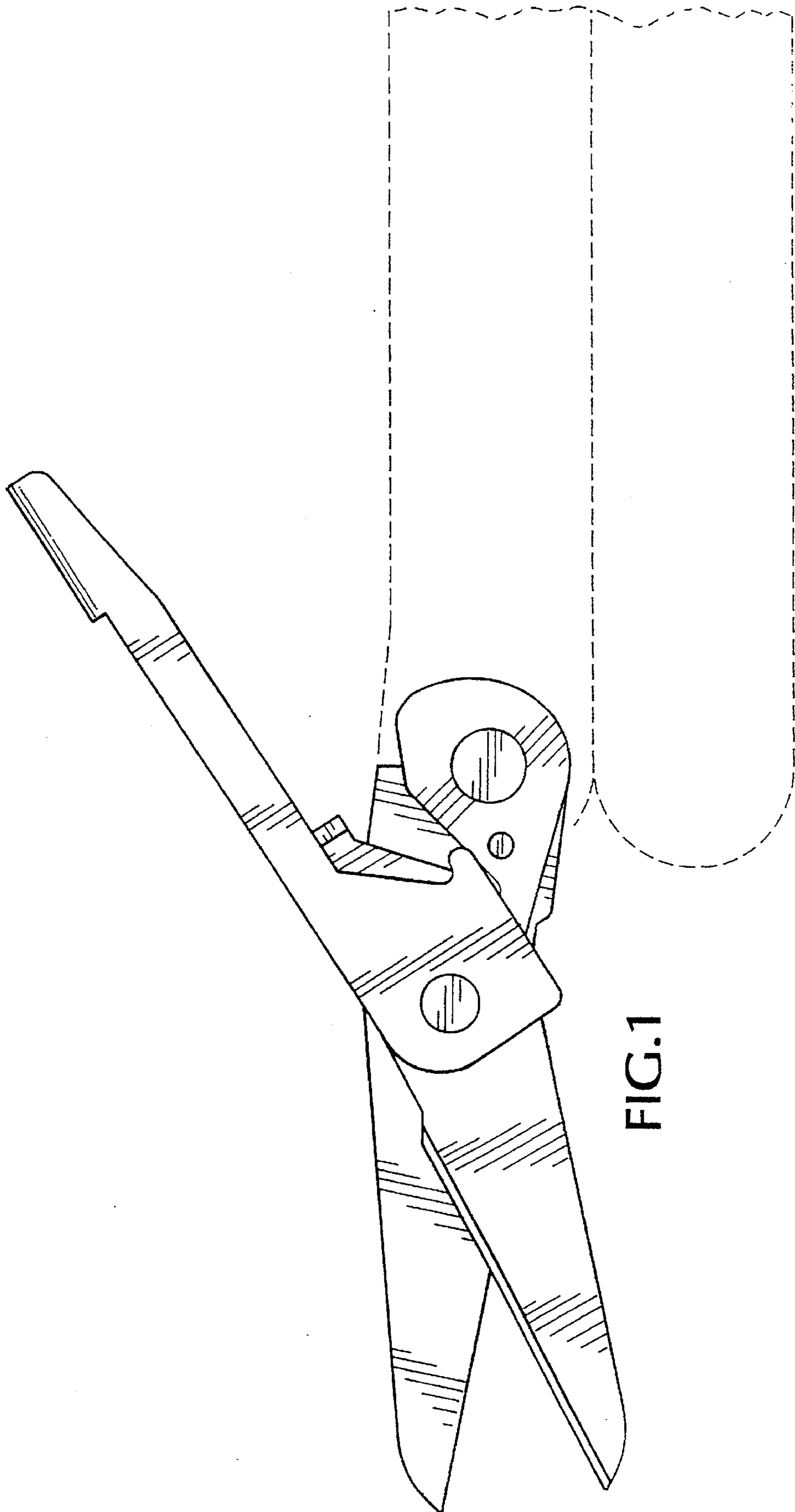


FIG. 1

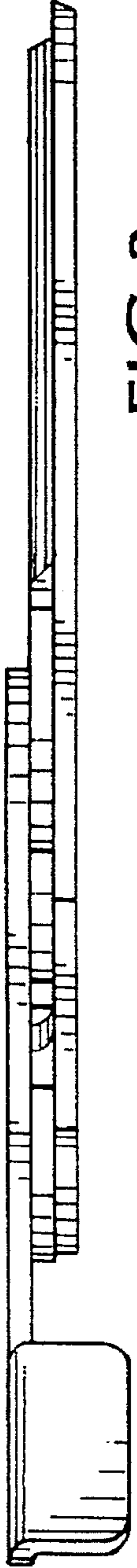


FIG. 3

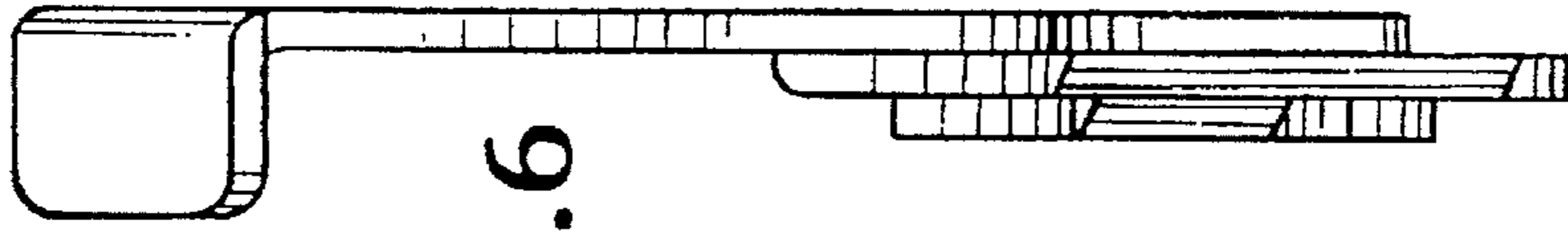


FIG. 6

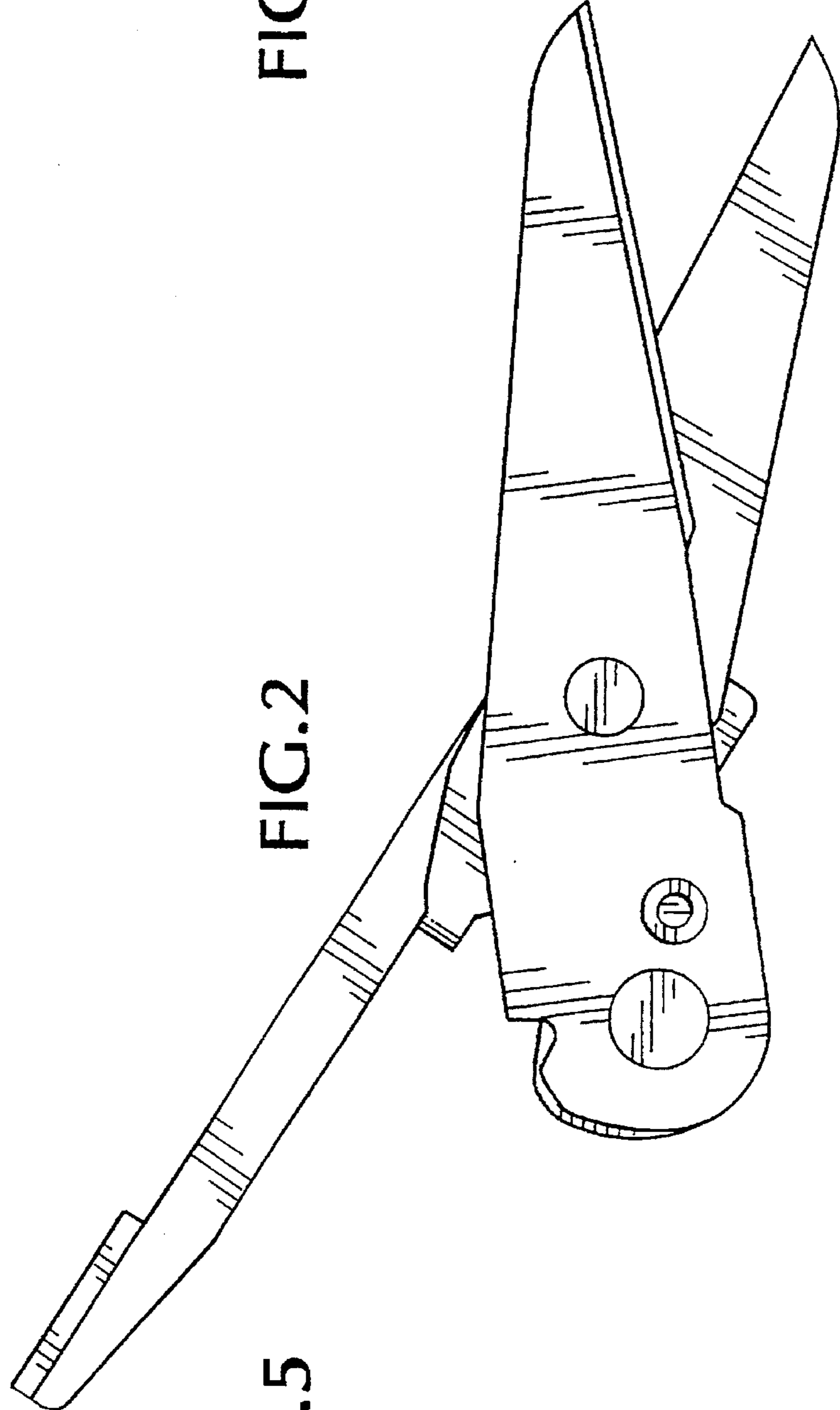


FIG. 2

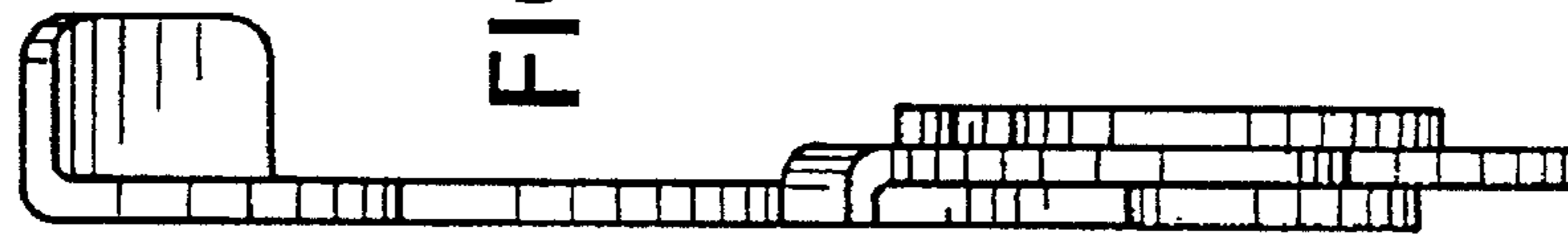


FIG. 5

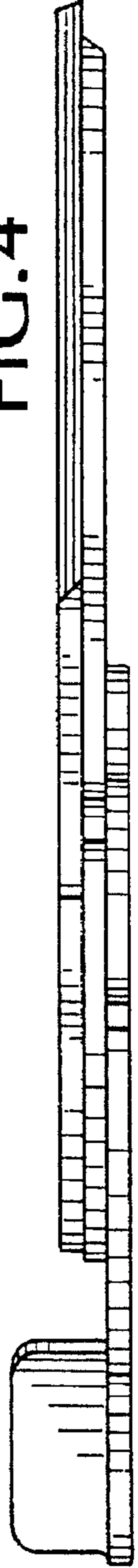


FIG. 4

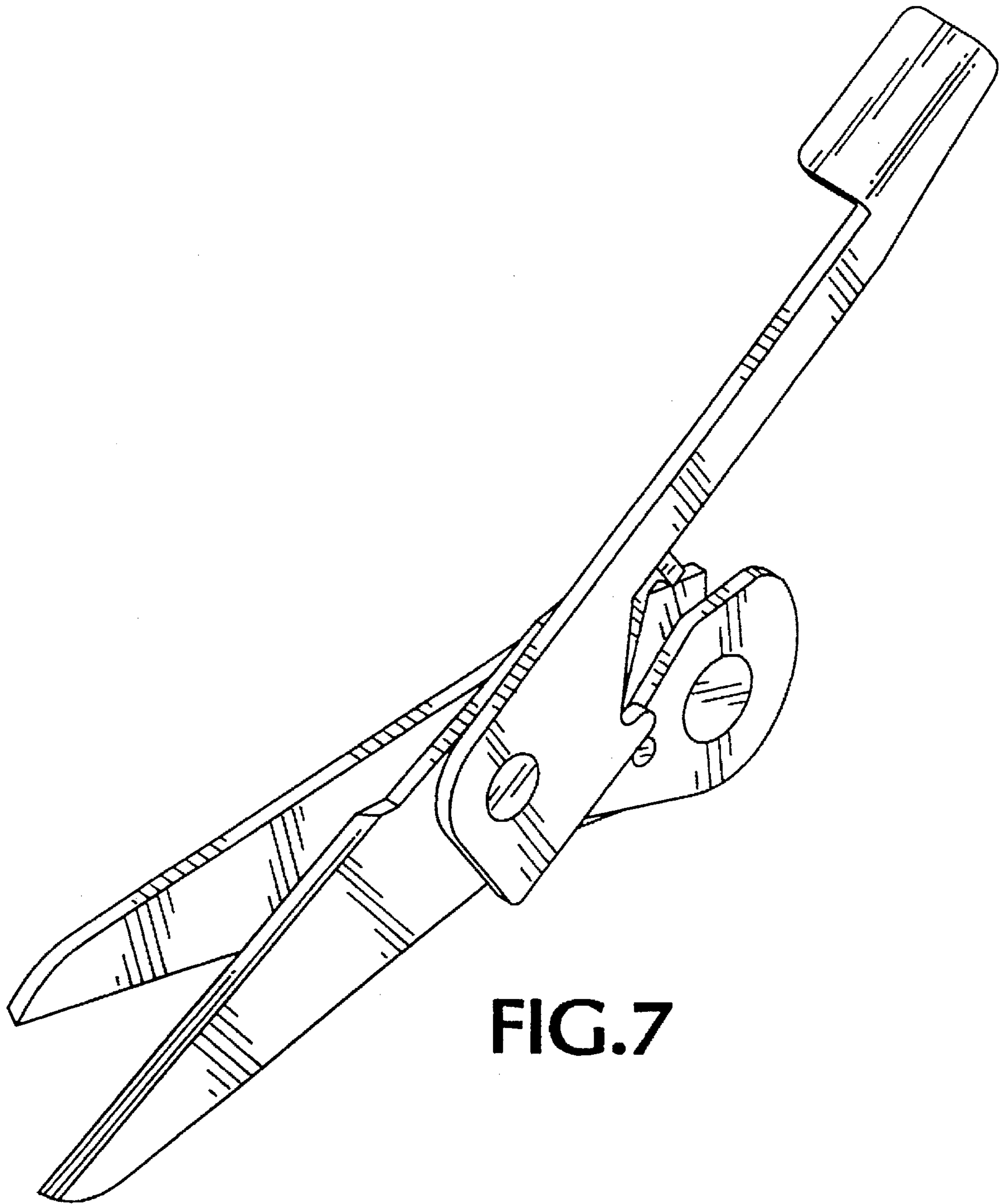


FIG. 7