



US00D382451S

United States Patent [19] Kikuchi

[11] Patent Number: Des. 382,451

[45] Date of Patent: **Aug. 19, 1997

[54] **BATTERY POWERED HEDGE TRIMMER**

[75] Inventor: Naoki Kikuchi, Chandler, Ariz.

[73] Assignee: Ryobi North America, Easley, S.C.

[**] Term: 14 Years

[21] Appl. No.: 56,943

[22] Filed: Jul. 12, 1996

[51] LOC (6) Cl. 08-01

[52] U.S. Cl. D8/8

[58] Field of Search D8/8; 30/228,
30/383, 382, 276; D15/16; 56/12.7

[56] **References Cited**

U.S. PATENT DOCUMENTS

D. 225,296	12/1972	Boldt	D8/8
D. 244,744	6/1977	Bunyea	.	
D. 285,894	9/1986	Kawakami et al.	D8/8
D. 301,961	7/1989	Narisue et al.	.	
D. 313,538	1/1991	Fushiya et al.	D8/8
D. 323,770	2/1992	Alsup et al.	D8/8
D. 323,771	2/1992	Alsup et al.	D8/8
D. 333,953	3/1993	Miyoshi et al.	D8/8
D. 354,891	1/1995	McJunkin et al.	D8/8
D. 364,541	11/1995	McJunkin et al.	D8/8
3,212,188	10/1965	Riley, Jr. et al.	.	
3,757,194	9/1973	Weber et al.	.	
3,774,302	11/1973	Ketchpel, Jr.	.	
3,842,498	10/1974	Mizobata et al.	.	
3,952,239	4/1976	Owings et al.	.	
3,958,331	5/1976	Klebe, Jr.	.	
4,104,795	8/1978	Lopic	.	
4,592,143	6/1986	Pizzuto et al.	.	
5,140,249	8/1992	Linder et al.	.	

OTHER PUBLICATIONS

Jun. 1996 Northern Hydraulics Catalog, p. 9.

Primary Examiner—Holly Baynham
Attorney, Agent, or Firm—Brooks & Kushman P.C.

[57] **CLAIM**

The ornamental design for the battery powered hedge trimmer, as shown and described.

DESCRIPTION

FIG. 1 is a right side elevational view of a battery powered hedge trimmer according to the invention;

FIG. 2 is a top plan view of the battery powered hedge trimmer according to the invention;

FIG. 3 is a bottom plan view of the battery powered hedge trimmer according to the invention;

FIG. 4 is a left side elevational view of the battery powered hedge trimmer according to the invention;

FIG. 5 is a front elevational view of the battery powered hedge trimmer according to the invention;

FIG. 6 is a rear elevational view of the battery powered hedge trimmer according to the invention;

FIG. 7 is a right side elevational view of an alternative embodiment of a battery powered hedge trimmer according to the invention;

FIG. 8 is a top plan view of an alternative embodiment of the battery powered hedge trimmer according to the invention;

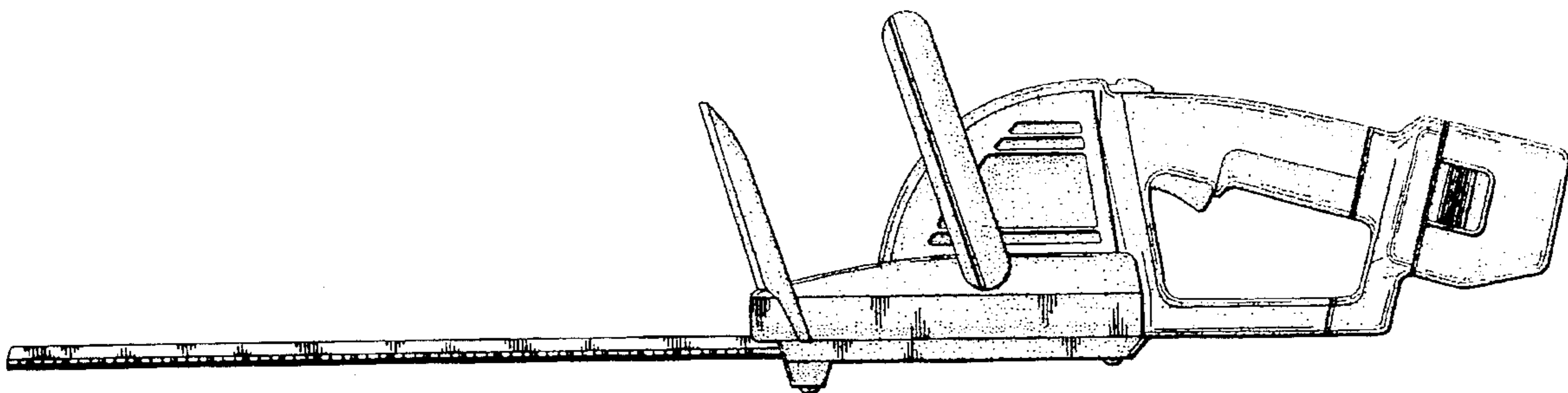
FIG. 9 is a bottom plan view of an alternative embodiment of the battery powered hedge trimmer according to the invention;

FIG. 10 is a left side elevational view of an alternative embodiment of the battery powered hedge trimmer according to the invention;

FIG. 11 is a front elevational view of an alternative embodiment of the battery powered hedge trimmer according to the invention; and,

FIG. 12 is a rear elevational view of an alternative embodiment of the battery powered hedge trimmer according to the invention.

1 Claim, 6 Drawing Sheets



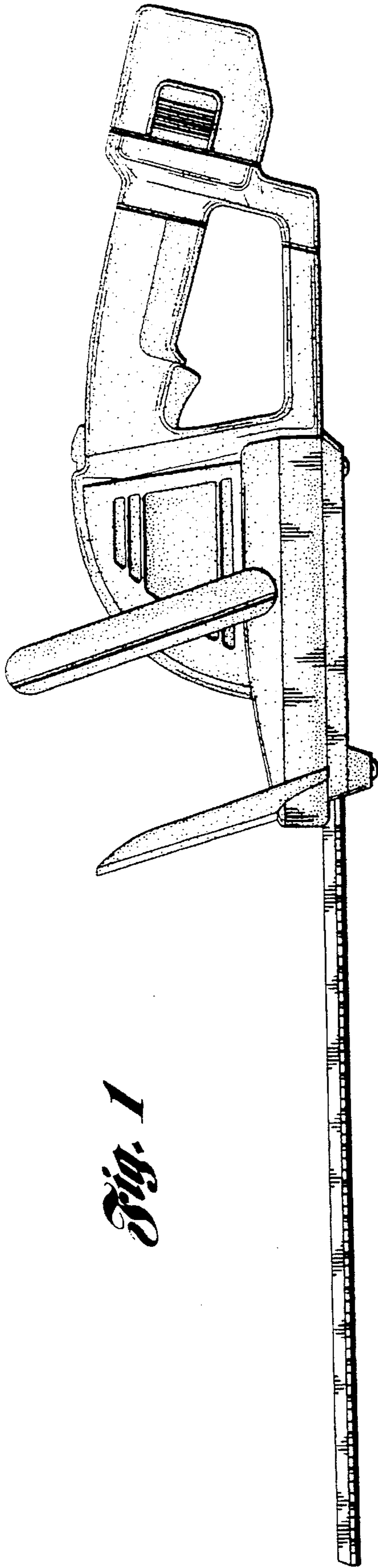


Fig. 1

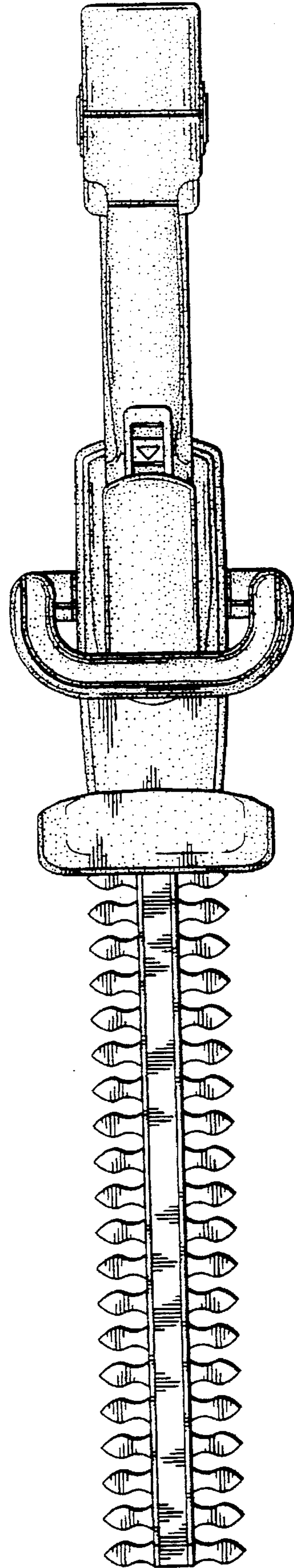


Fig. 2

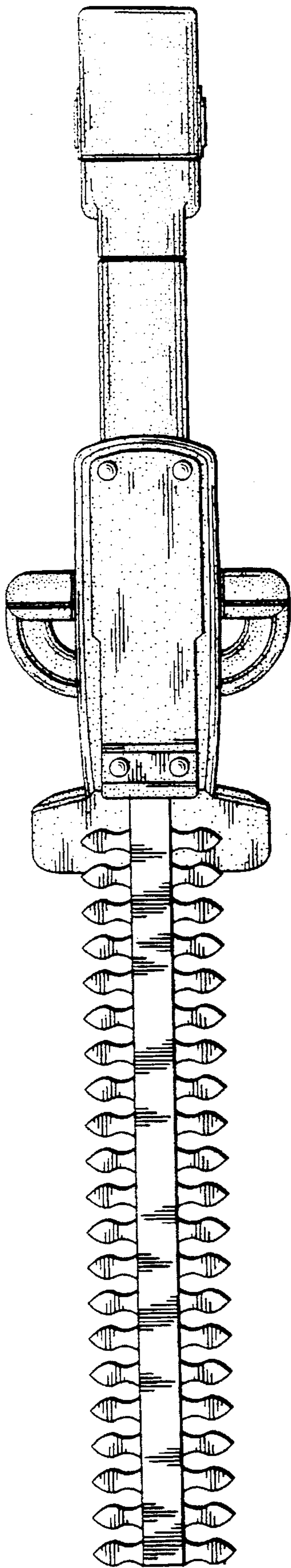


Fig. 3

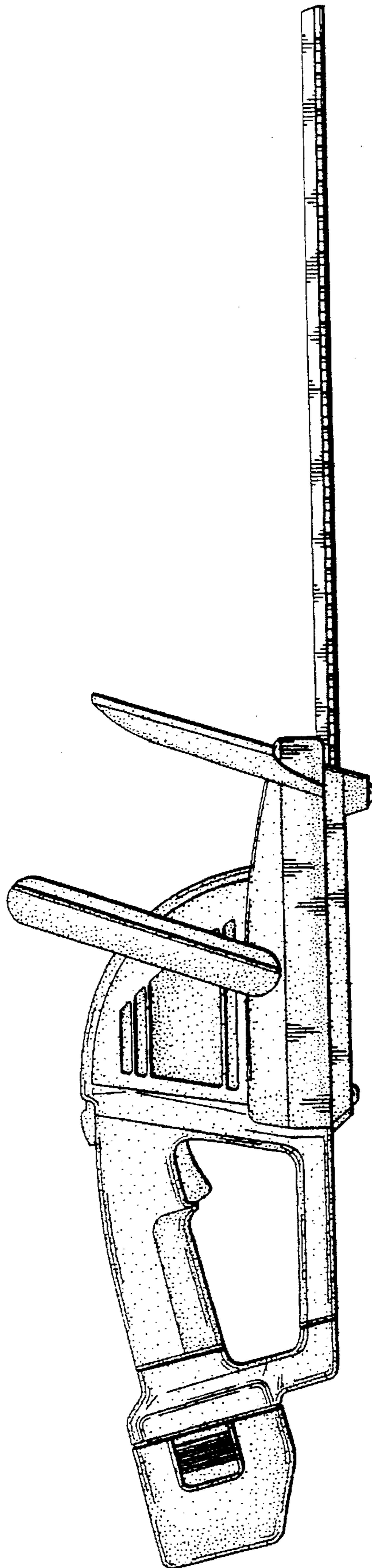


Fig. 4

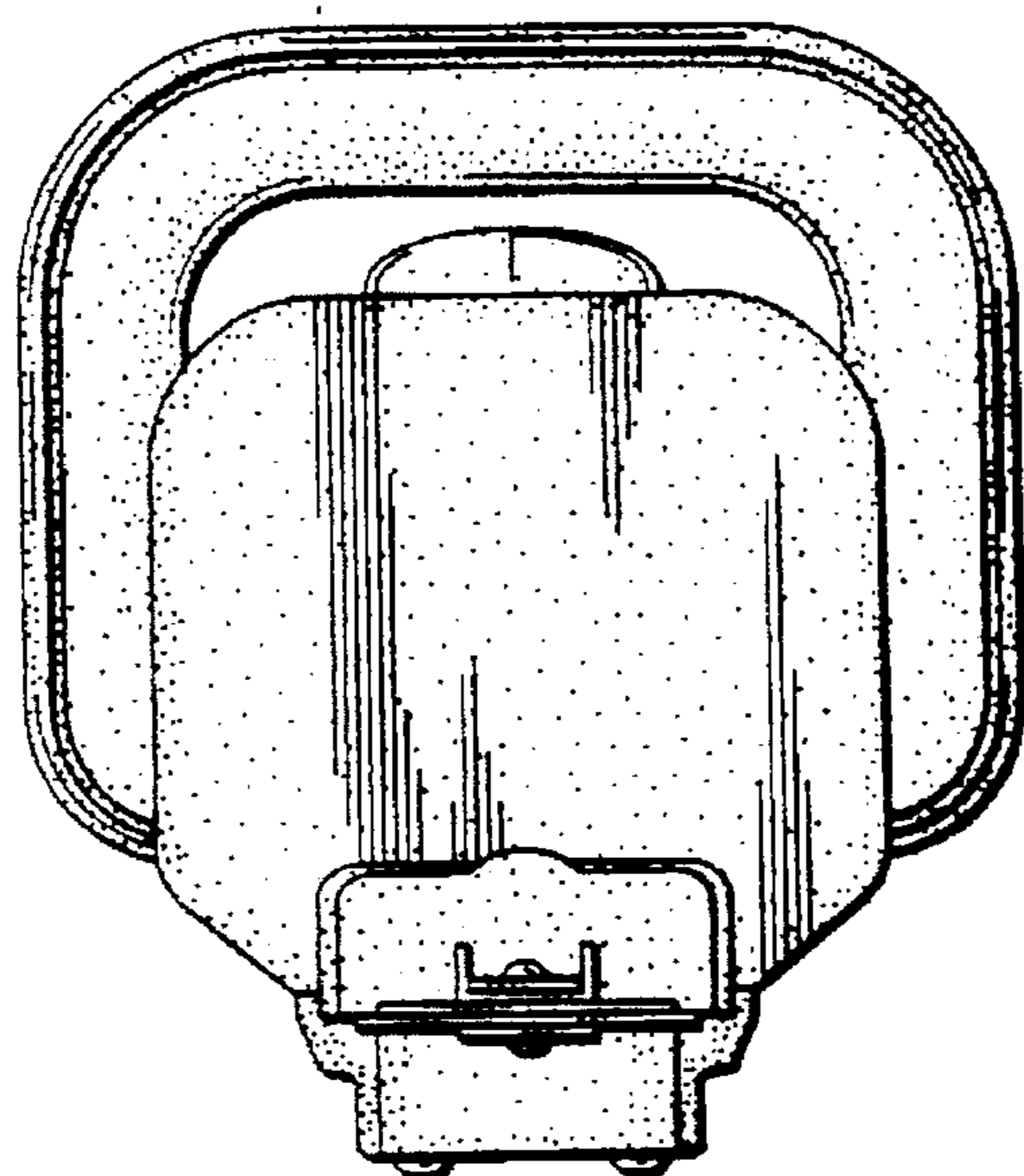


Fig. 5

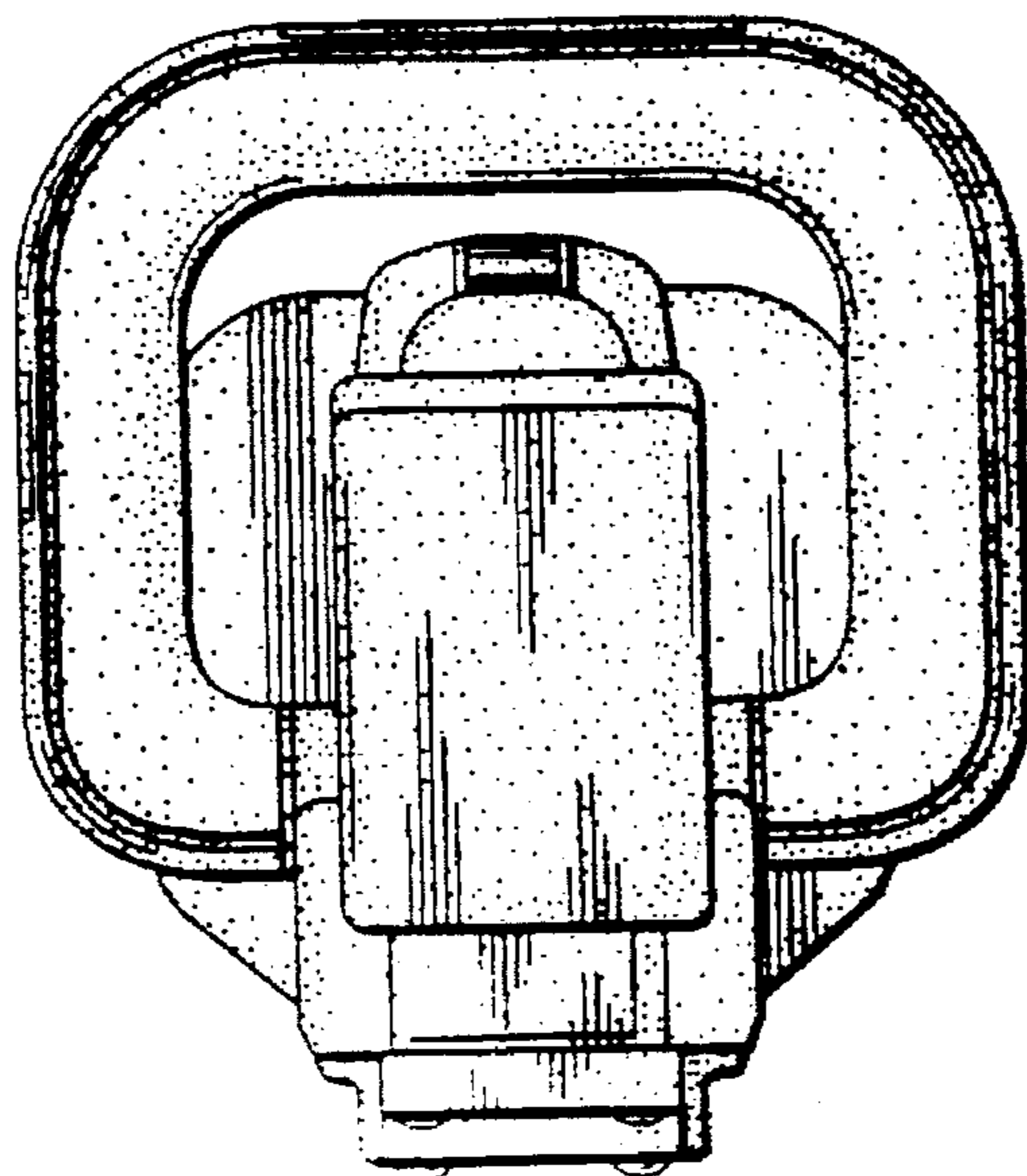


Fig. 6

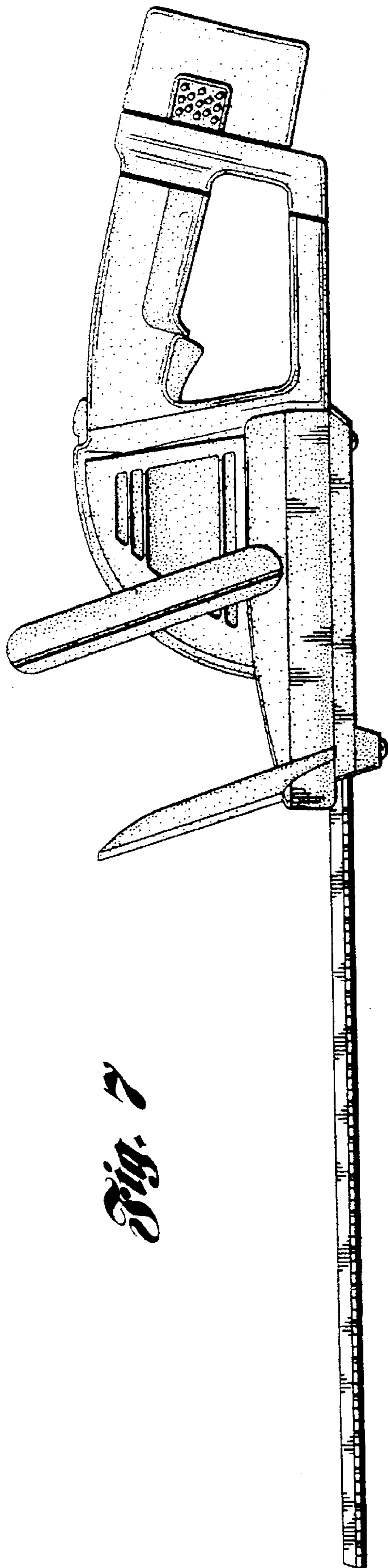


Fig. 7

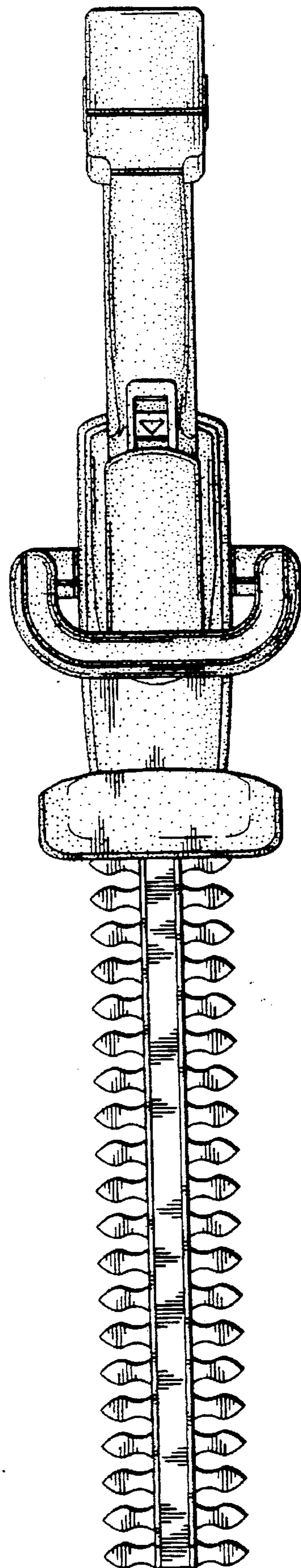


Fig. 8

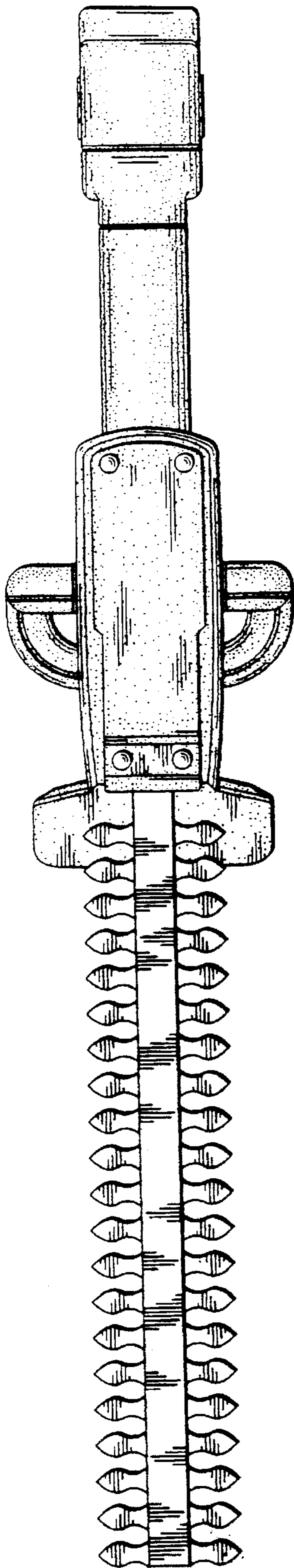


Fig. 9

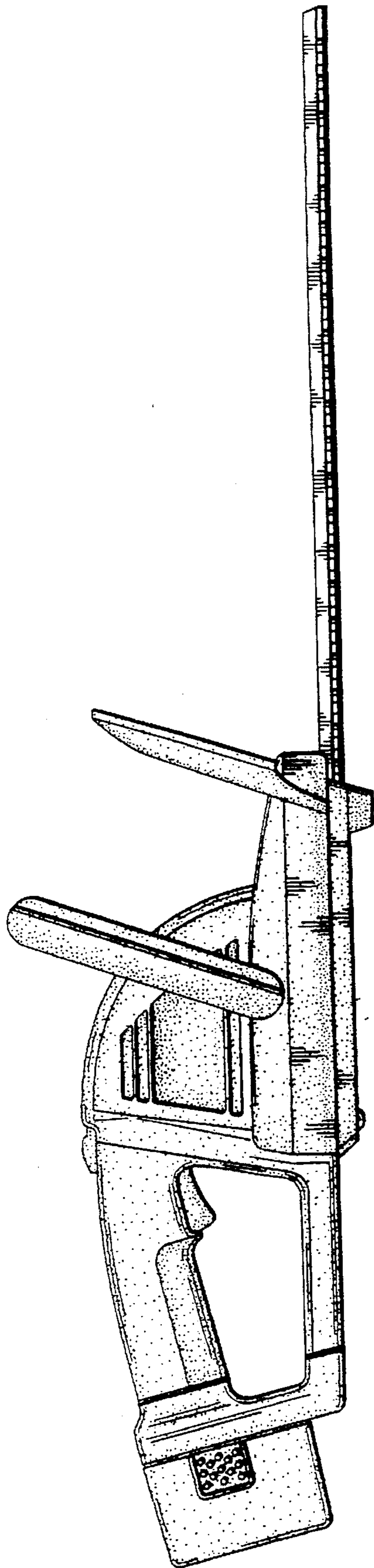


Fig. 10

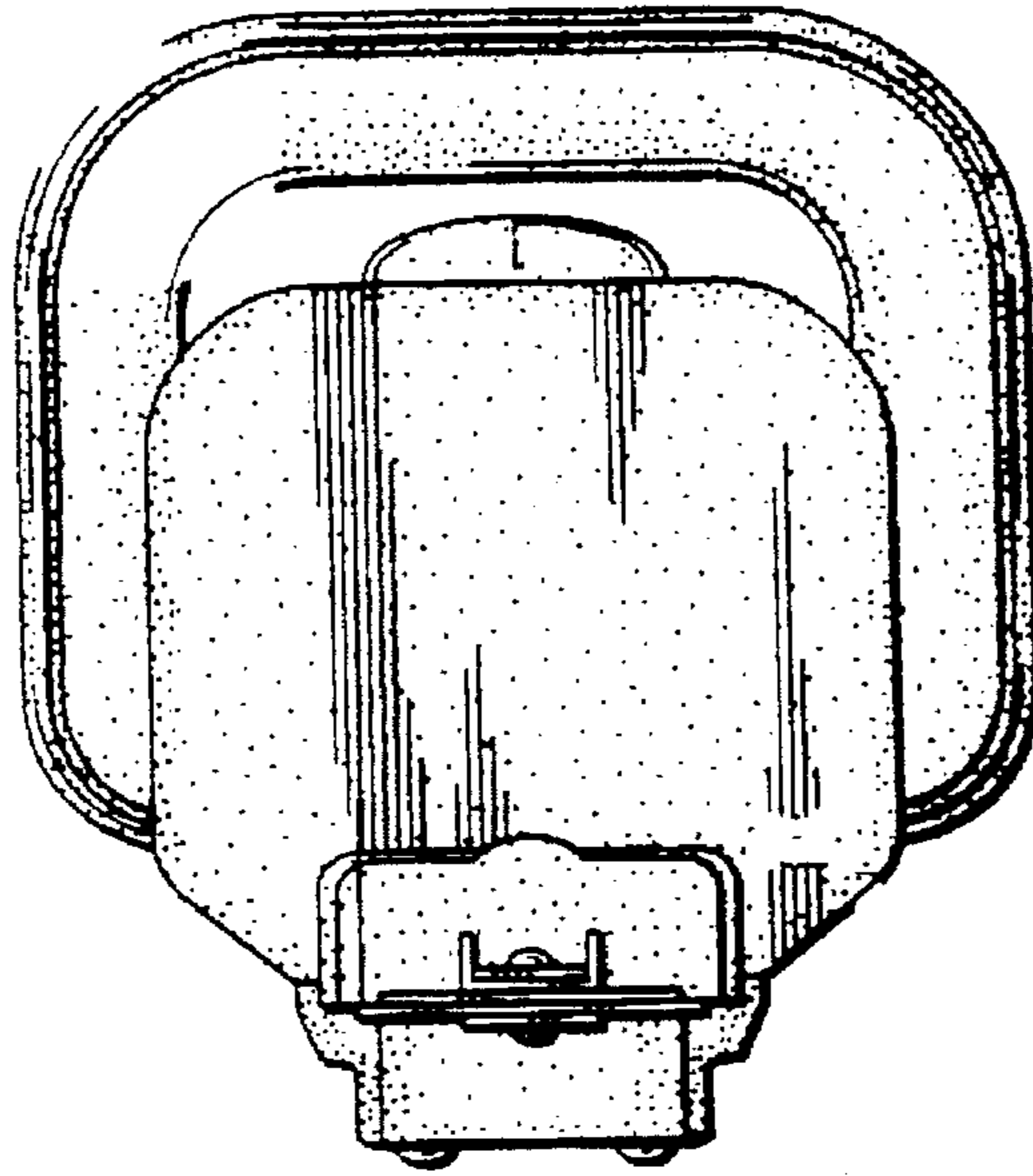


Fig. 11

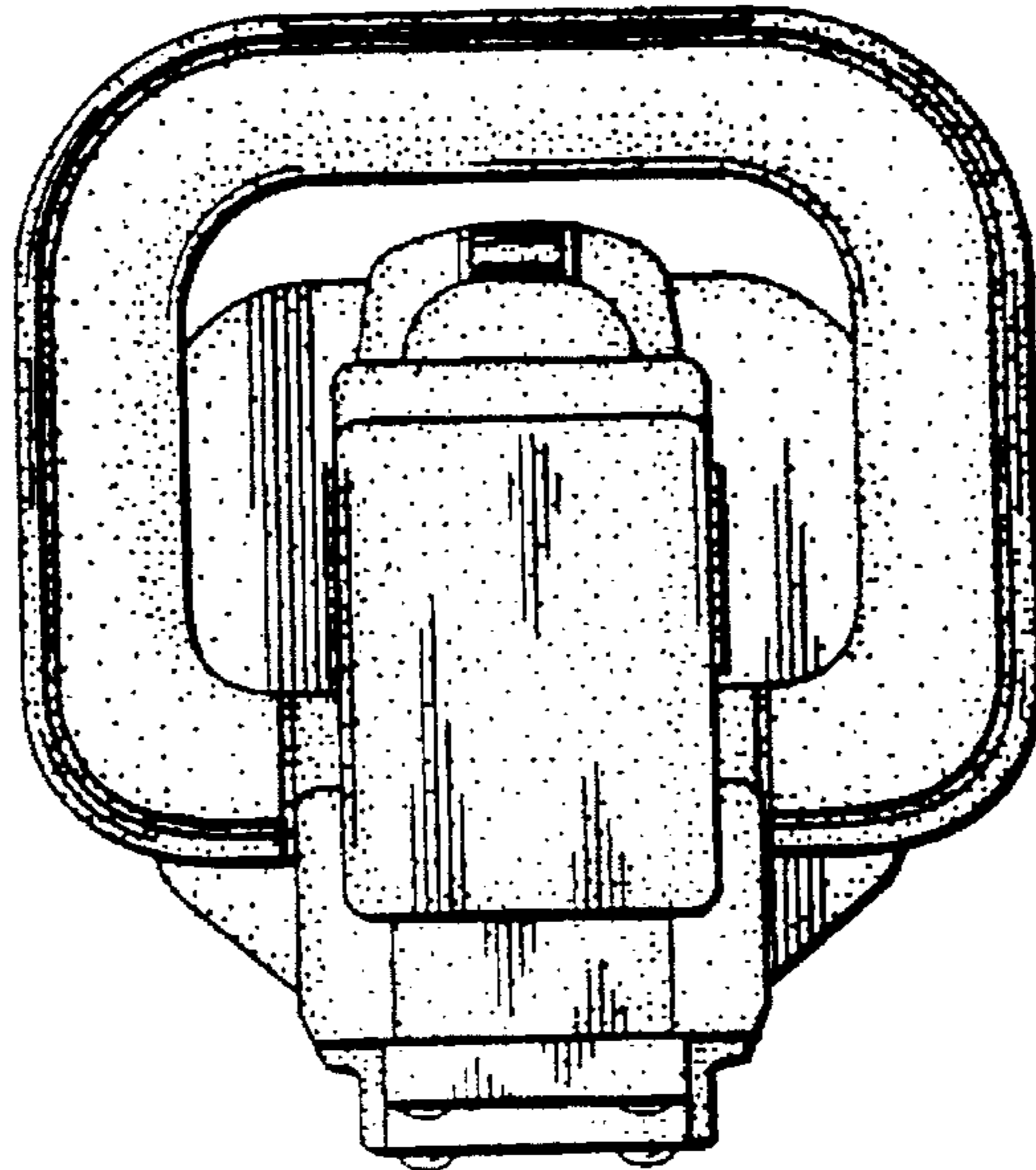


Fig. 12