



US00D382450S

# United States Patent [19]

Meisner et al.

[11] Patent Number: Des. 382,450

[45] Date of Patent: \*\*Aug. 19, 1997

[54] VEGETATION CUTTER

[75] Inventors: **Edward Meisner**, Short Hills; **Thomas Van Dyk**, Prospect Park; **Michael Ballone**, New Providence, all of N.J.; **Roger Q. Smith**, Reisterstown, Md.

[73] Assignee: **Black & Decker Inc.**, Newark, Del.

[\*\*] Term: **14 Years**

[21] Appl. No.: **40,283**

[22] Filed: **Jun. 14, 1995**

[51] LOC (6) Cl. .... **08-01**

[52] U.S. Cl. .... **D8/8**

[58] Field of Search ..... D8/8; 56/12.7; 30/276, 349

4,987,732 1/1991 Terai et al. .  
5,027,591 7/1991 Nakamura et al. .  
5,181,369 1/1993 Everts .  
5,265,341 11/1993 Kikuchi .

### FOREIGN PATENT DOCUMENTS

0515909 5/1992 European Pat. Off. .

### OTHER PUBLICATIONS

German publication M 91 03 881 Jan. 25, 1992; garden trimmer.  
International Designs Bulletin—Dec. 1992 DM/024 776 garden trimmer.  
German publication M 92 05 166.9; Mar. 10, 1993, garden trimmer.  
German publication M 94 07 032.6; Jan. 25, 1992, garden trimmer.  
Weed Eater catalog, Mar. 1986, p. 2, electric trimmer model No. 1208, located at top of page.  
Black and Decker Lawn and Garden brochure, Mar. 8, 1994, p. 9, yard trimmer model No. 82314 at bottom of page.

*Primary Examiner*—Holly Baynham

*Attorney, Agent, or Firm*—Charles E. Yocum; Dennis A. Dearing; John D. Del Ponti

[57] **CLAIM**

The ornamental design for a vegetation cutter, as shown in the drawings.

### DESCRIPTION

FIG. 1 is a right-hand side perspective view of a preferred embodiment of the vegetation cutter in accordance with the present invention;  
FIG. 2 is a bottom view of the vegetation cutter of FIG. 1;  
FIG. 3 is a top view of the vegetation cutter of FIG. 1;  
FIG. 4 is a rear view of the vegetation cutter of FIG. 1;  
FIG. 5 is a front view of the vegetation cutter shown in FIG. 1;  
FIG. 6 is a right side view of the vegetation cutter shown in FIG. 1;  
FIG. 7 is a left side view of the vegetation cutter of FIG. 1;  
FIG. 8 is a right side perspective view of a second embodiment of the design shown in FIG. 1;  
FIG. 9 is a bottom view of the vegetation cutter of FIG. 8;  
FIG. 10 is a top view of the vegetation cutter of FIG. 8;

[56] **References Cited**

#### U.S. PATENT DOCUMENTS

D. 249,630	9/1978	Ballas	.....	D8/8
D. 251,699	5/1979	Averitt	.....	D8/8
D. 251,961	5/1979	Averitt	.....	D8/8
D. 255,764	7/1980	Lombard	.....	D8/8
D. 292,980	12/1987	Tomita et al.	.....	D8/8
D. 301,009	5/1989	Pilatowicz et al.	.....	D8/8
D. 307,860	5/1990	Ellis	.....	D8/8
D. 317,852	7/1991	Fujiwara et al.	.....	D8/8
D. 320,398	10/1991	Clivio	.....	D8/8
D. 335,674	5/1993	Hoshino	.....	D8/8
D. 336,223	6/1993	Miyamoto et al.	.....	D8/8
D. 349,220	8/1994	Griffin	.....	D8/8
D. 349,221	8/1994	Griffin	.....	D8/8
D. 351,768	10/1994	Griffin	.....	D8/8
D. 354,892	1/1995	Griffin	.....	D8/8
D. 356,014	3/1995	Griffin	.....	D8/8
D. 360,341	7/1995	Hirooka et al.	.....	D8/8
4,200,978	5/1980	Irelan et al.	.....	
4,285,128	8/1981	Schnell et al.	.....	
4,338,719	7/1982	Burkholder	.....	
4,501,332	2/1985	Straayer	.....	
4,578,863	4/1986	Laverick	.....	
4,679,385	7/1987	Carmine	.....	
4,733,471	3/1988	Rabe	.....	
4,823,464	4/1989	Gorski	.....	
4,825,548	5/1989	Driggers	.....	

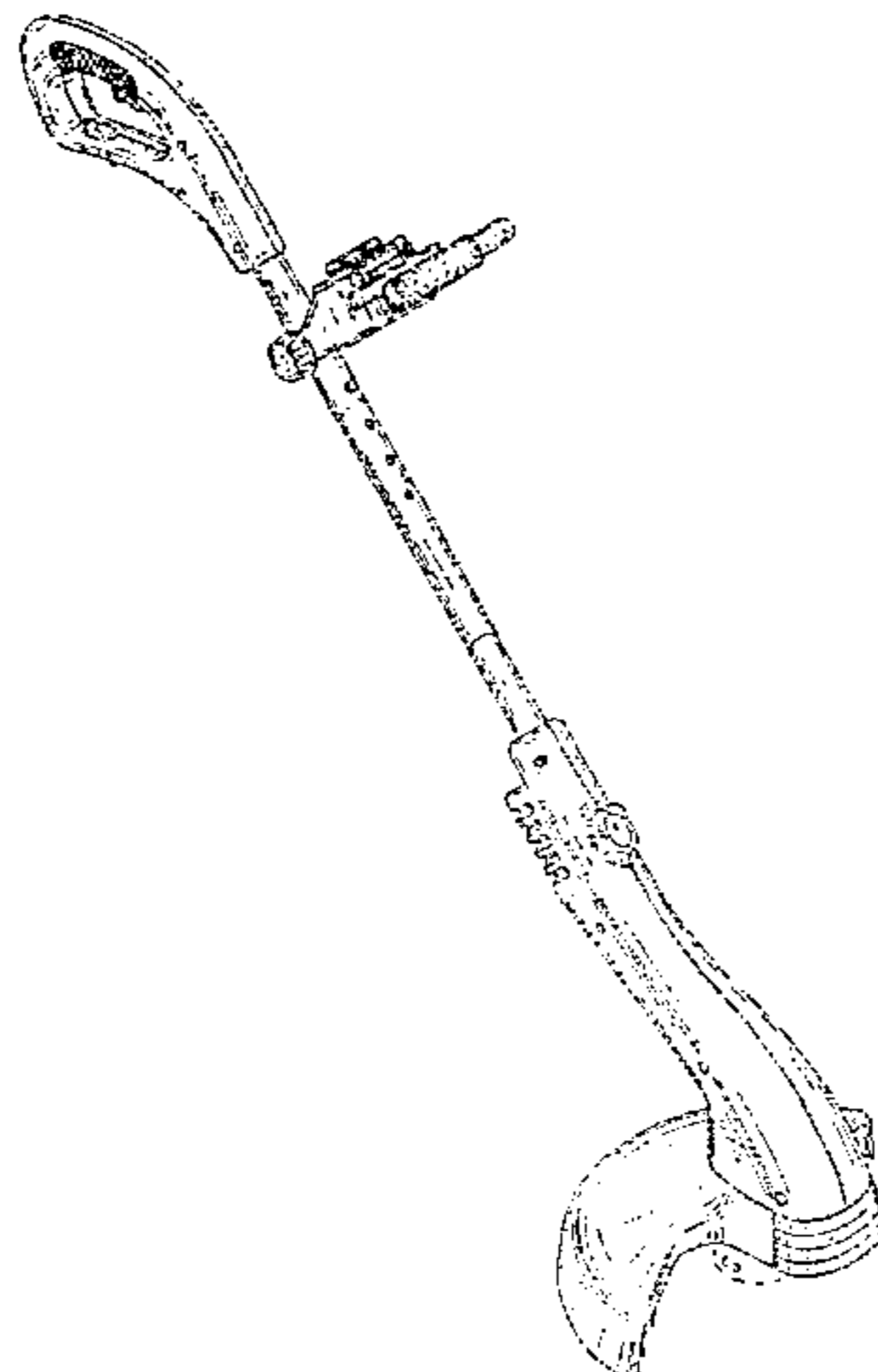


FIG. 11 is a rear view of the vegetation cutter of FIG. 8;  
FIG. 12 is a front view of the vegetation cutter of FIG. 8;  
FIG. 13 is a right view of the vegetation cutter of FIG. 8; and  
FIG. 14 is a left view of the vegetation cutter of FIG. 8;  
FIG. 15 is a right side perspective view of a third embodiment of the design shown in FIG. 1;  
FIG. 16 is a right side perspective view of a fourth embodiment of the design shown in FIG. 1;  
FIG. 17 is a bottom view of the vegetation cutter of FIG. 16;  
FIG. 18 is a top view of the vegetation cutter of FIG. 16;  
FIG. 19 is a rear view of the vegetation cutter of FIG. 16;

FIG. 20 is a front view of the vegetation cutter of FIG. 16;  
FIG. 21 is a right view of the vegetation cutter of FIG. 16;  
and,  
FIG. 22 is a left view of the vegetation cutter of FIG. 16.  
The undisclosed views of the third embodiment are identical in appearance to the views disclosed in the second embodiment except the third embodiment has a slightly larger guard.

**1 Claim, 16 Drawing Sheets**

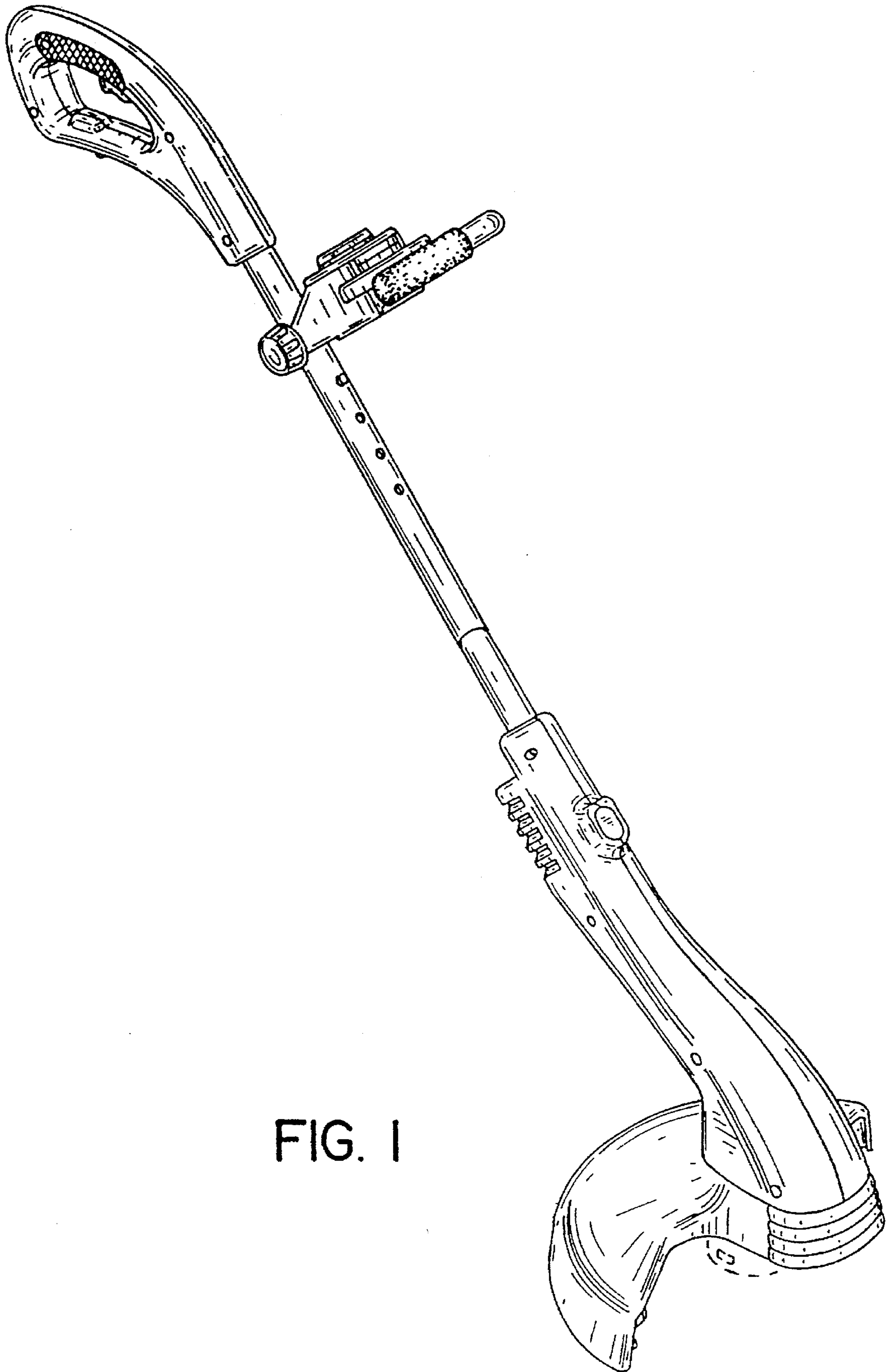


FIG. 1

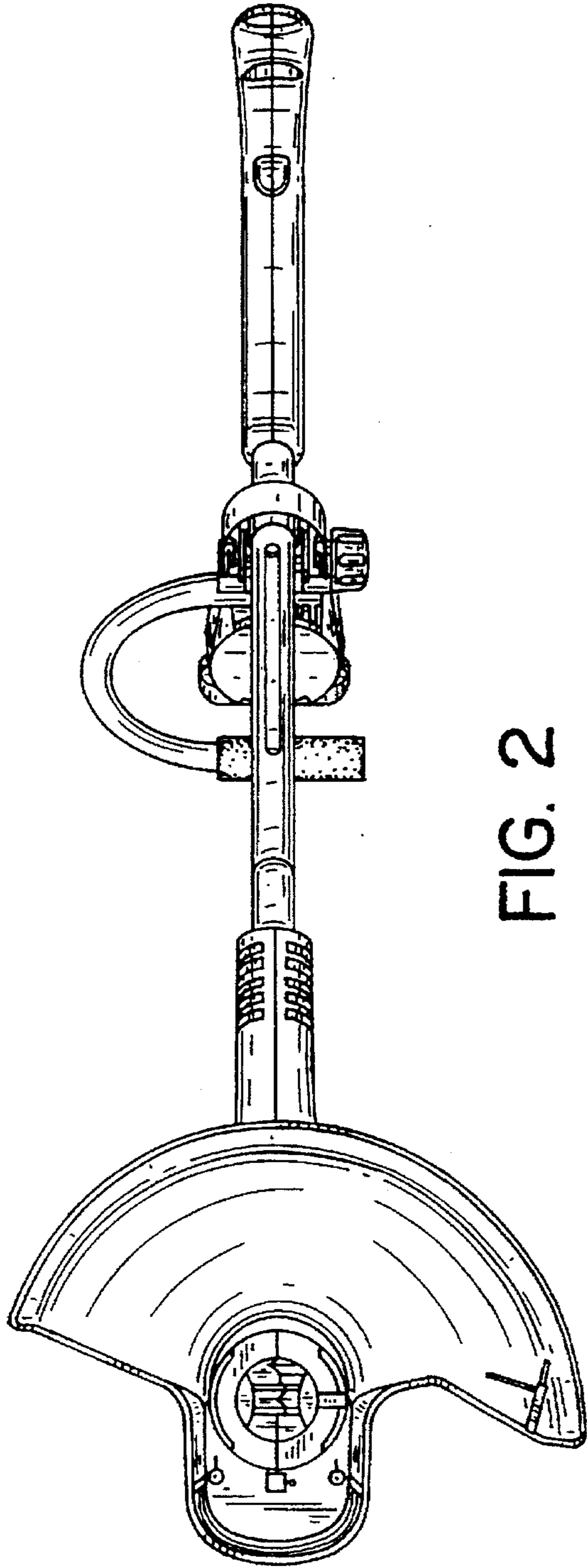


FIG. 2

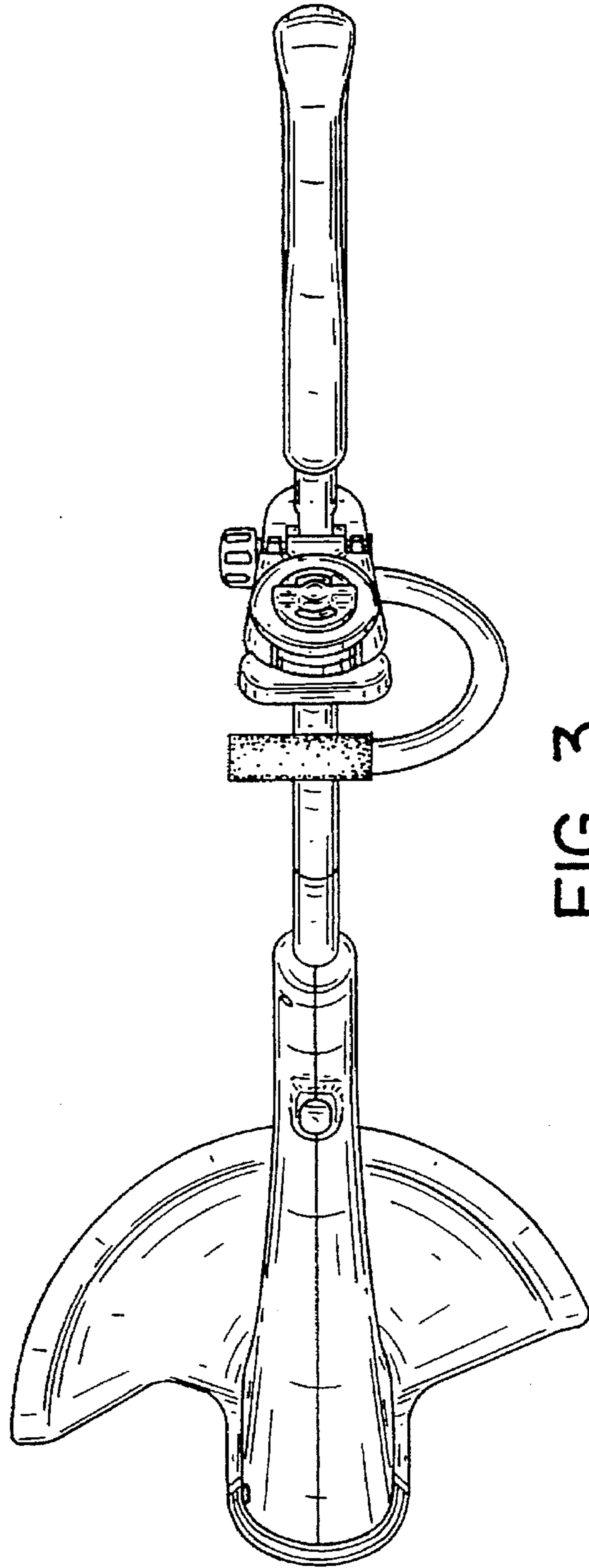


FIG. 3

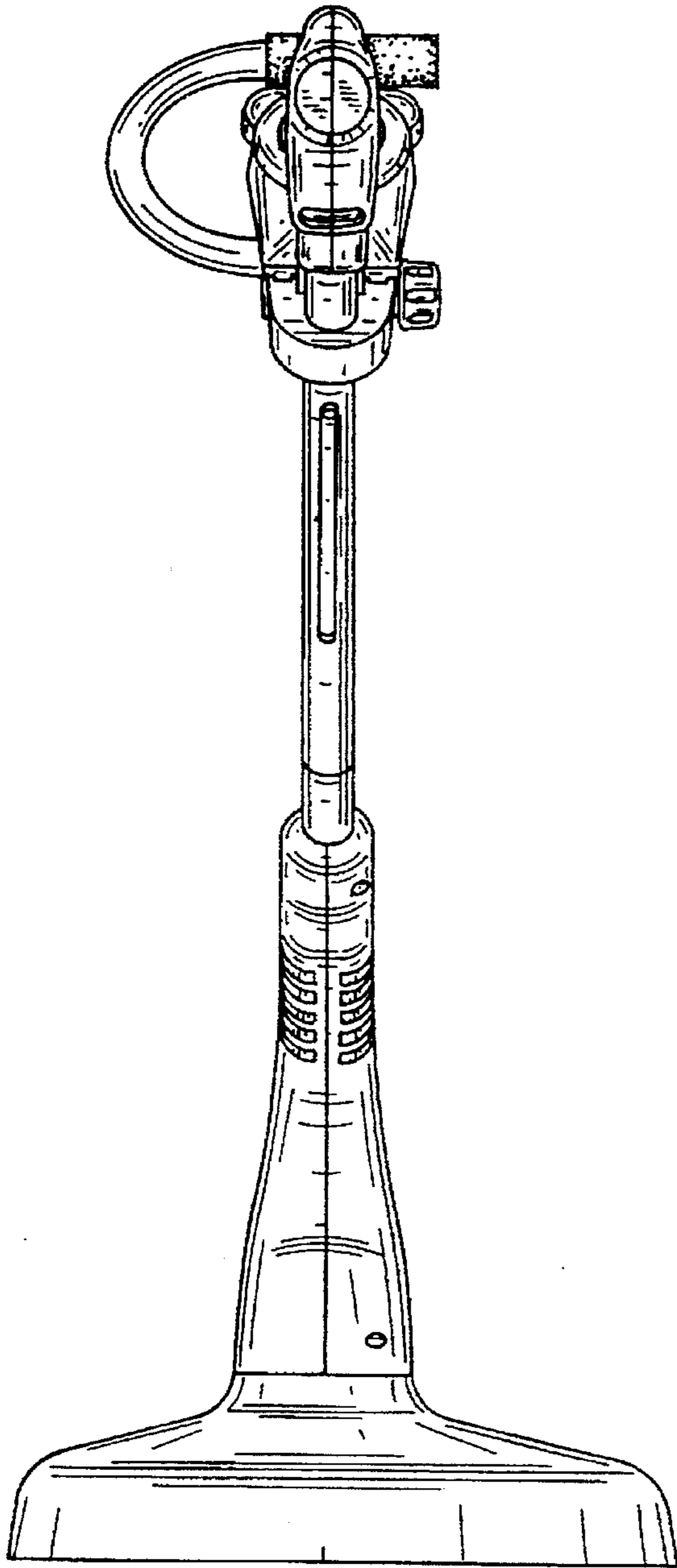


FIG. 4

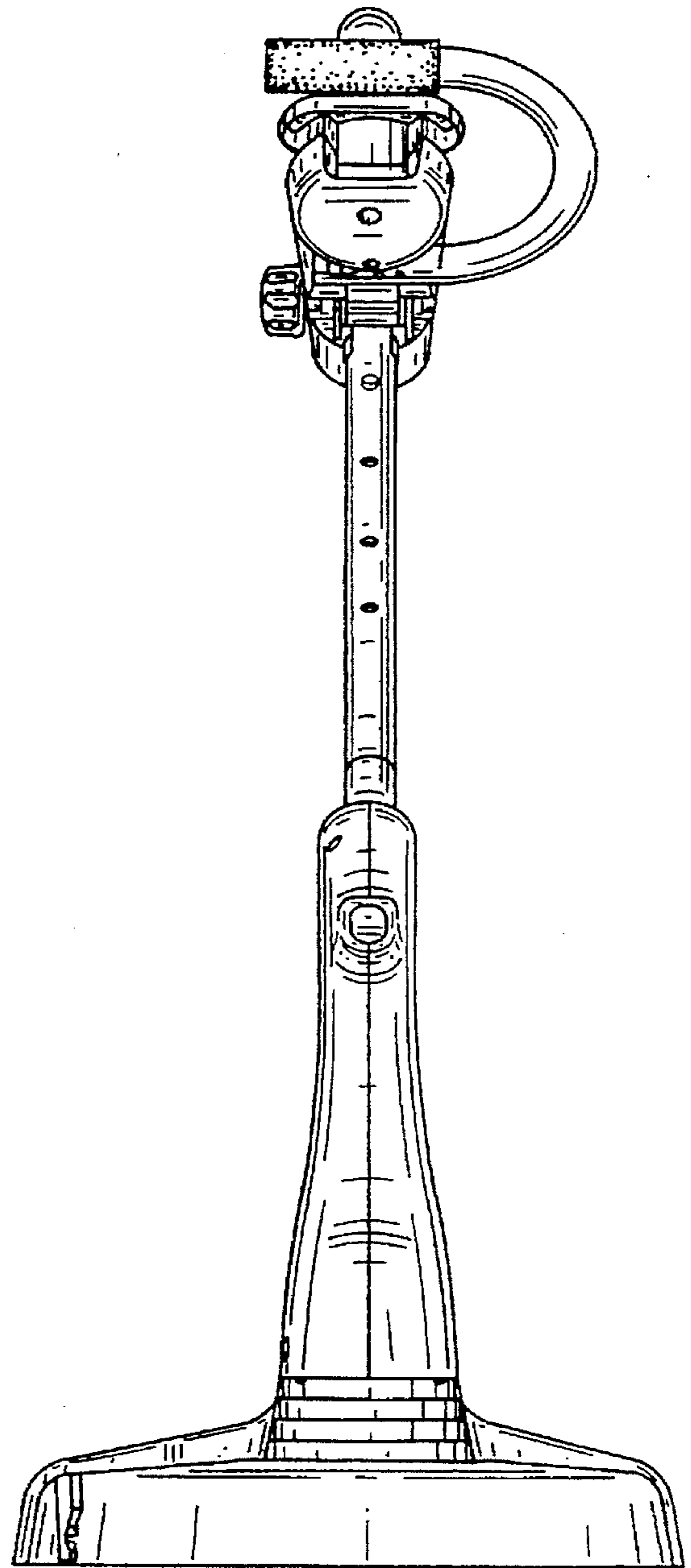


FIG. 5

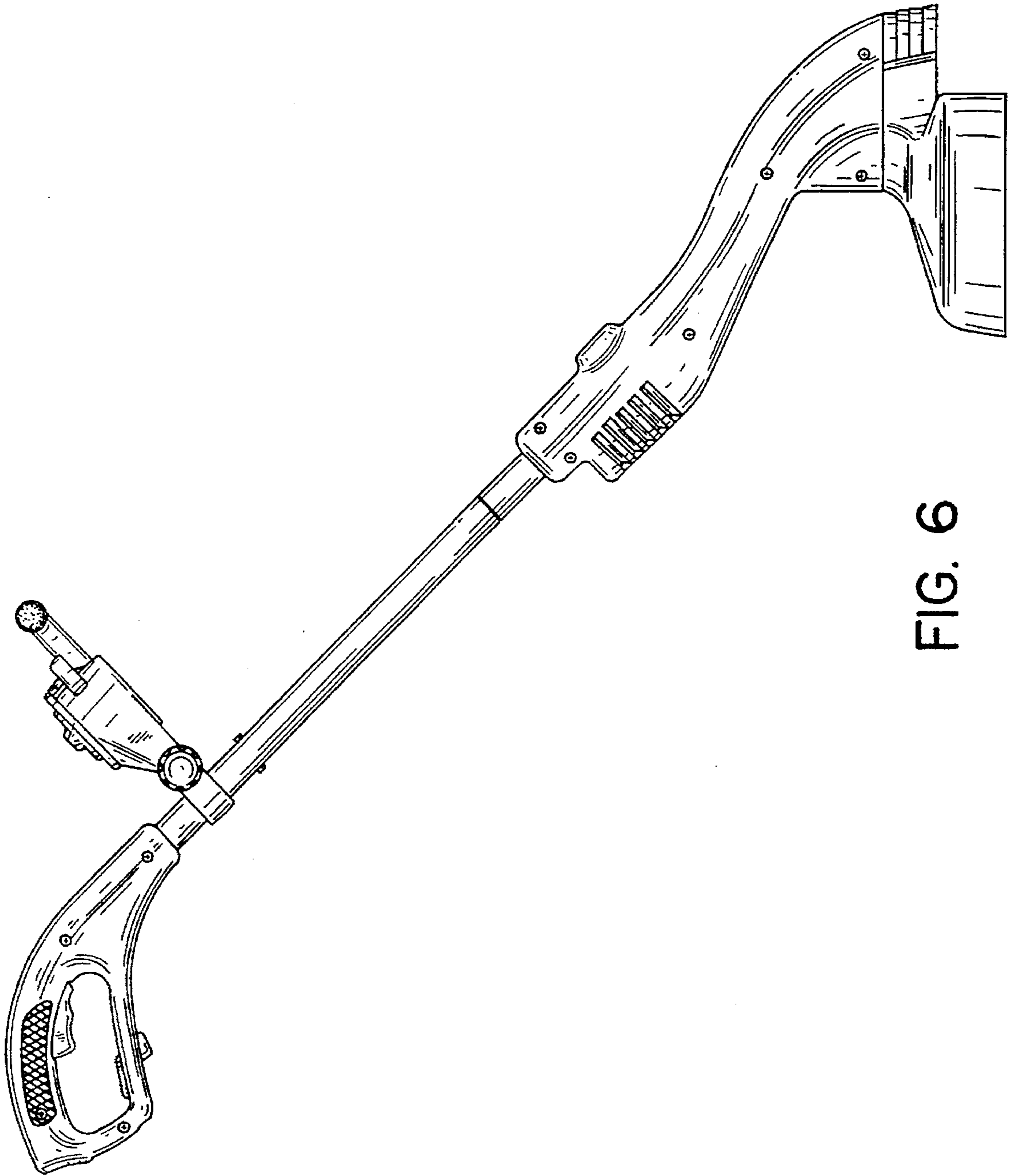


FIG. 6

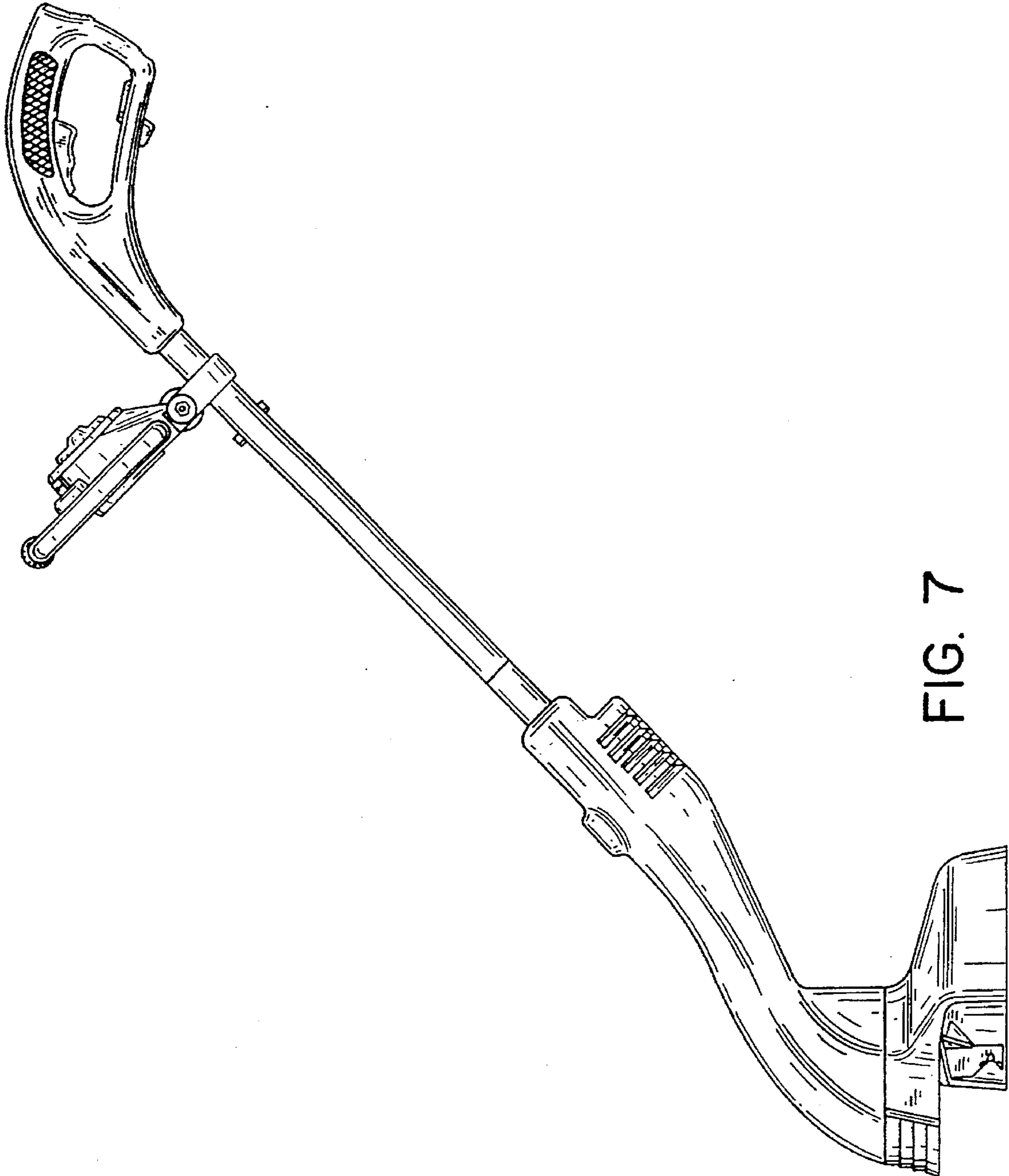


FIG. 7

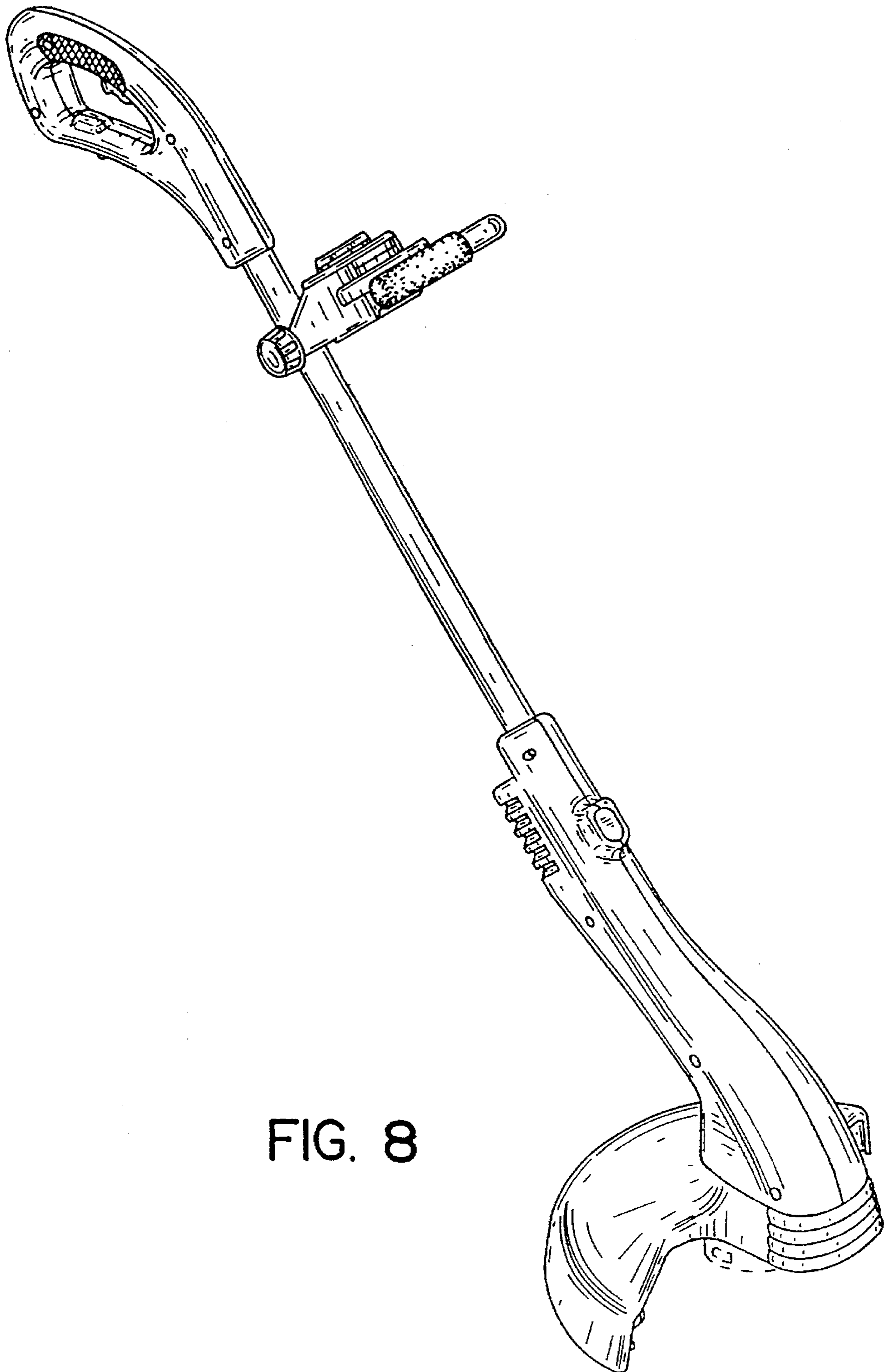


FIG. 8



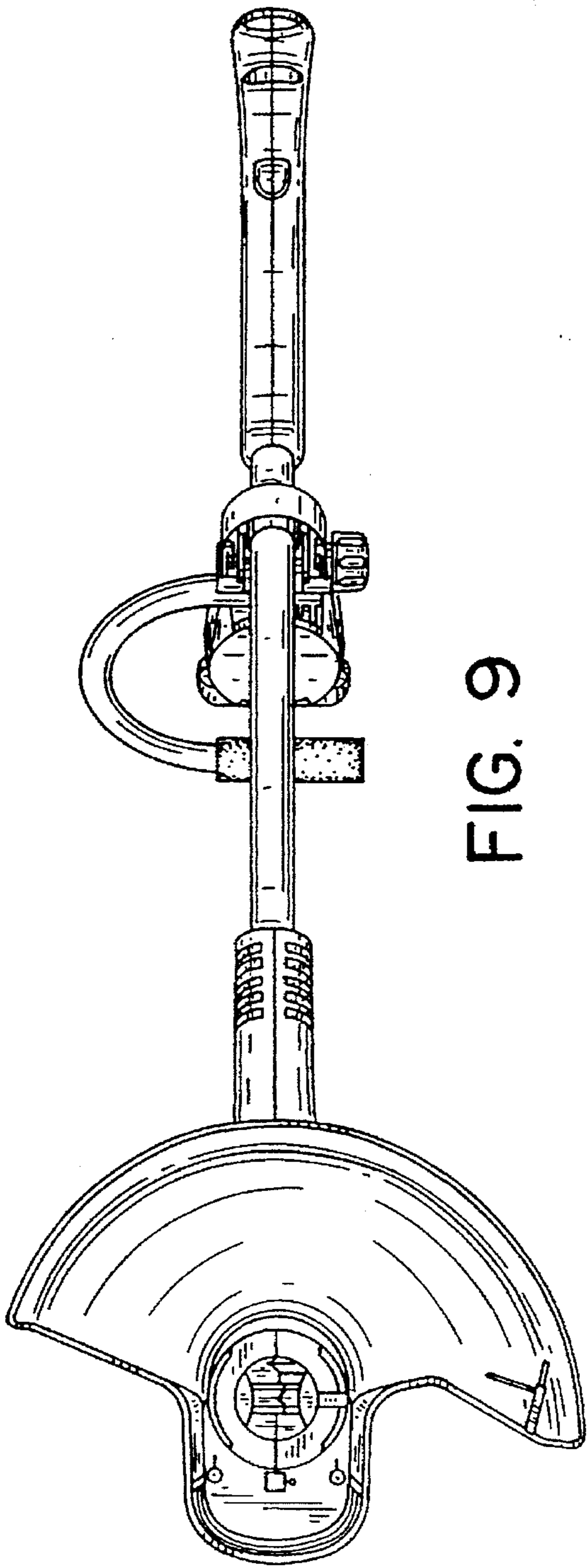


FIG. 9

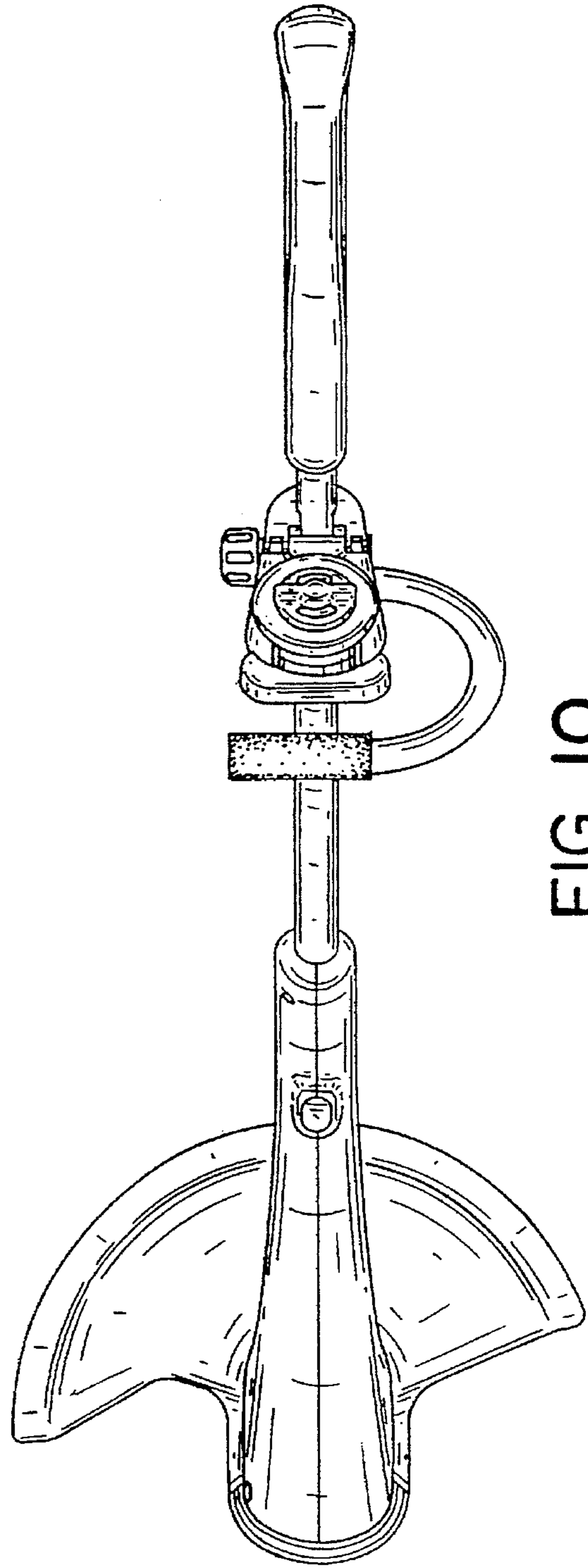


FIG. 10

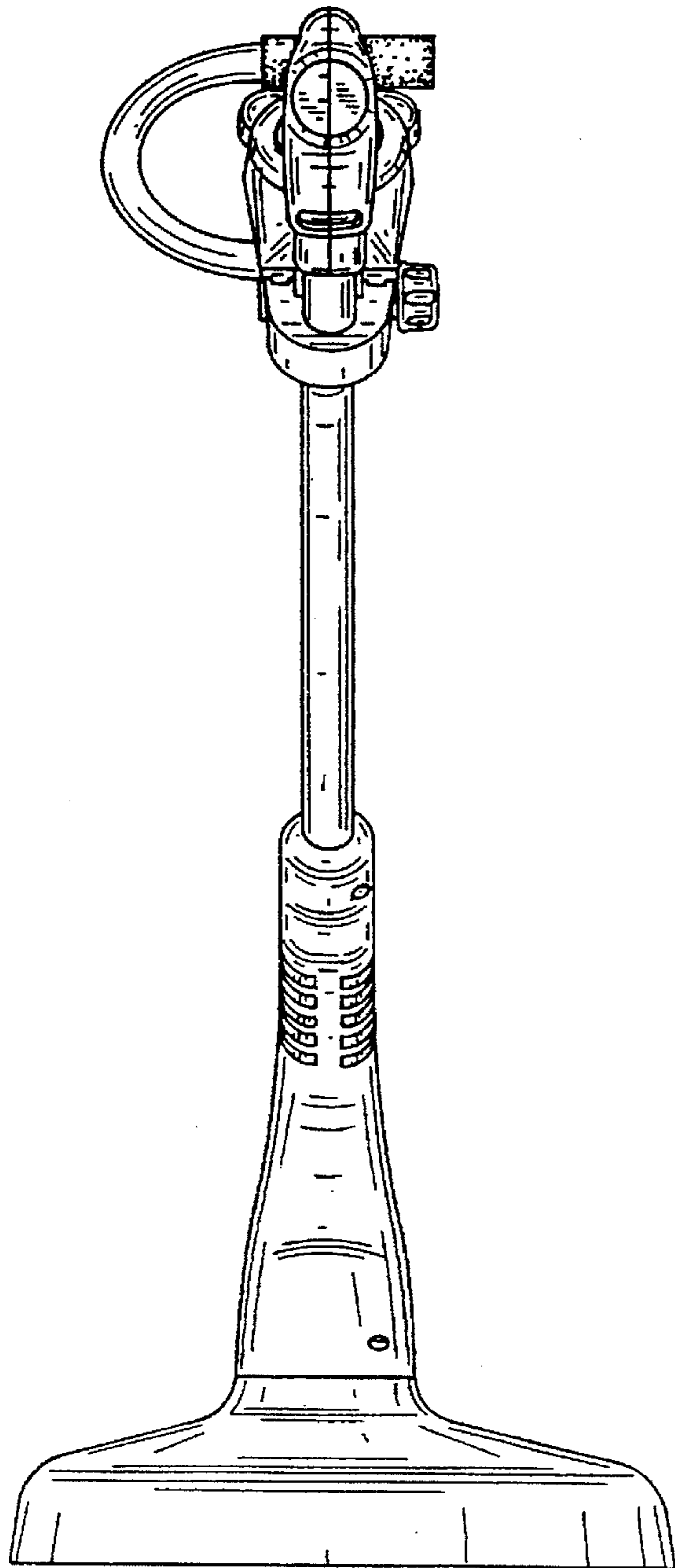


FIG. 11

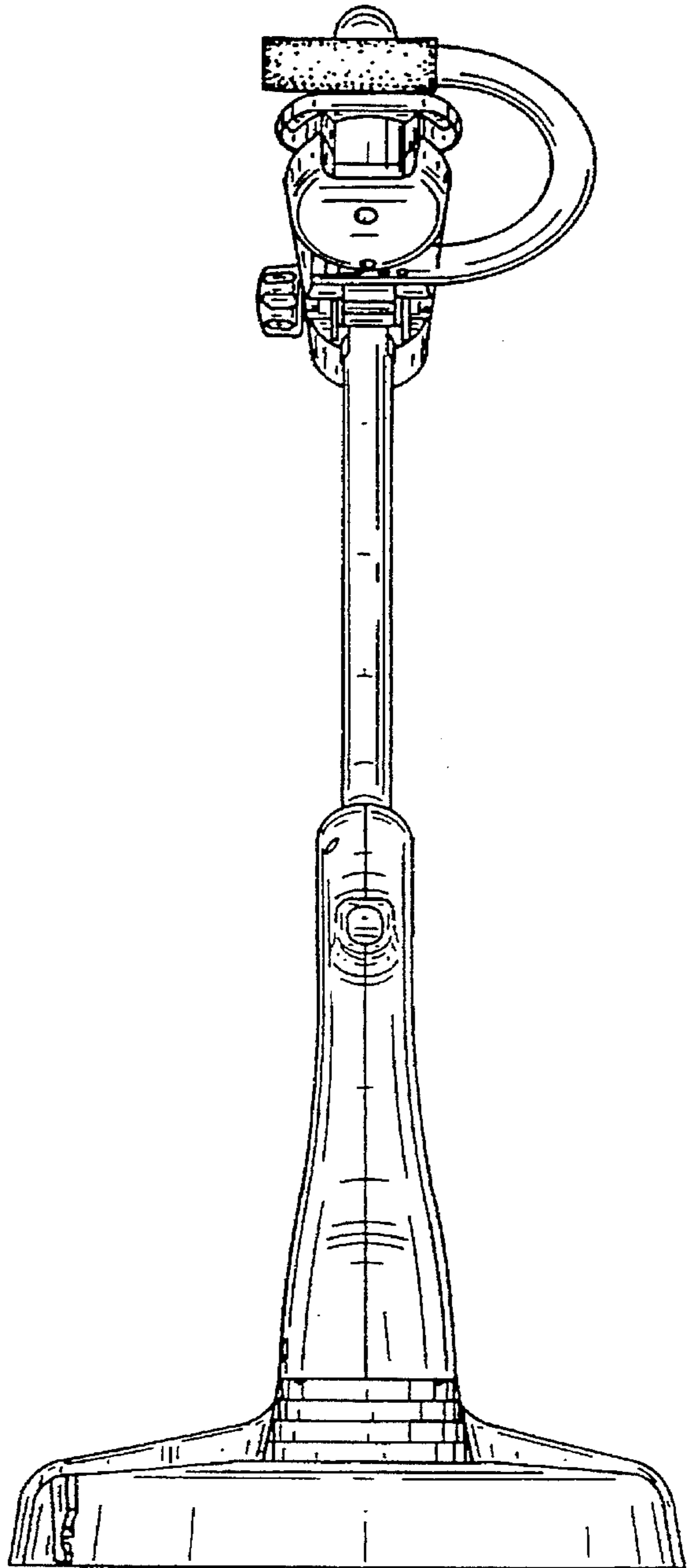


FIG. 12

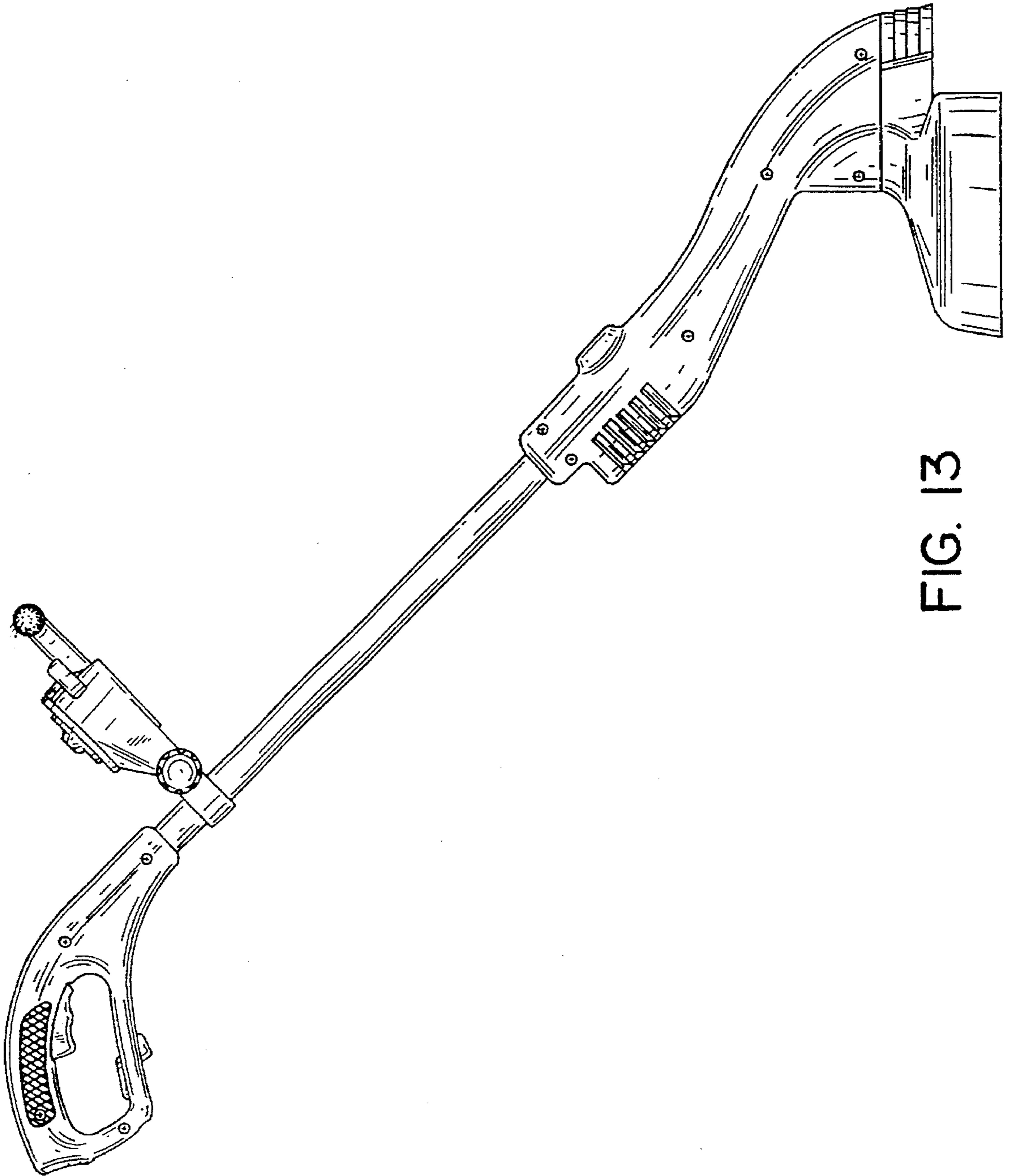


FIG. 13

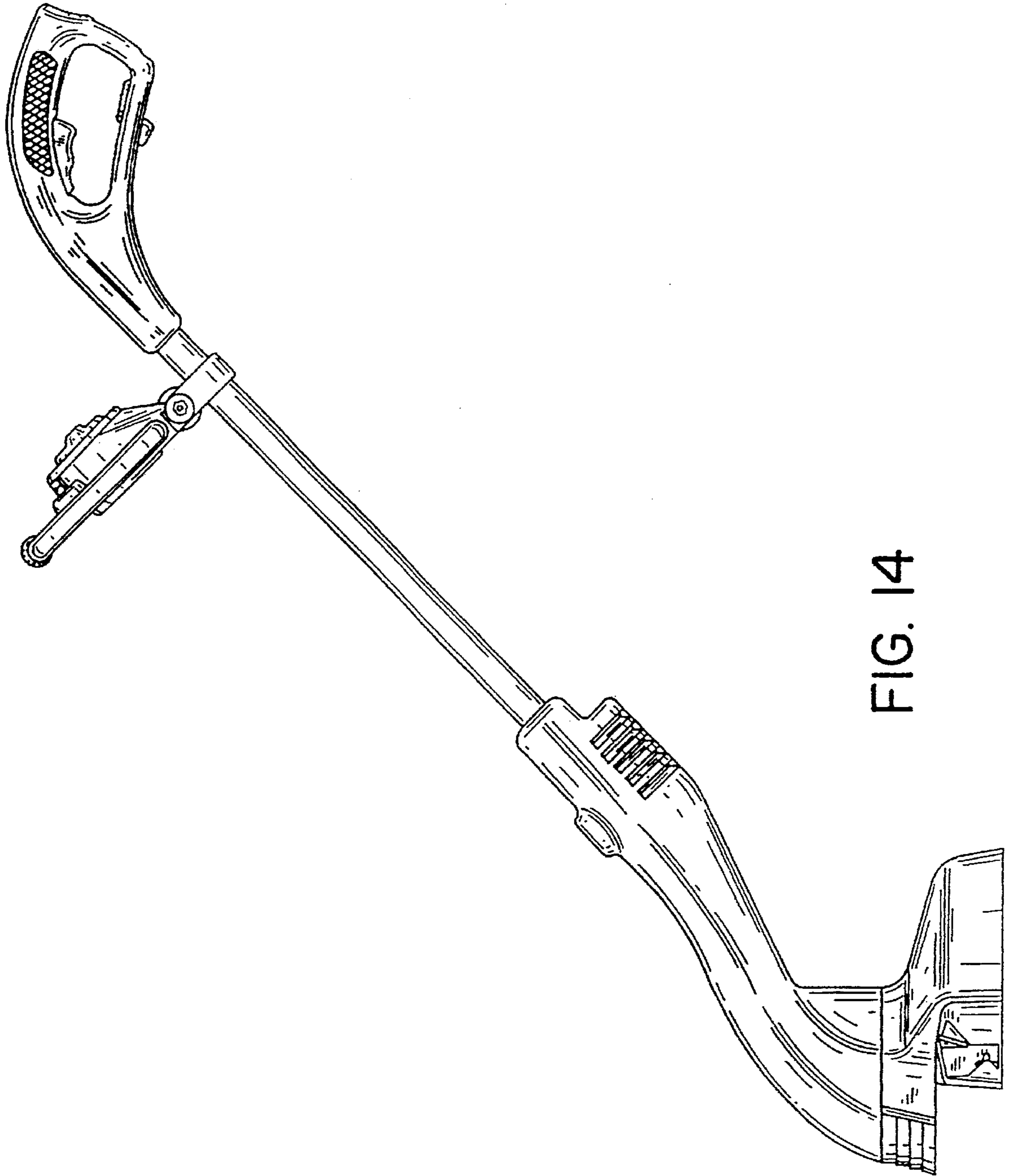


FIG. 14

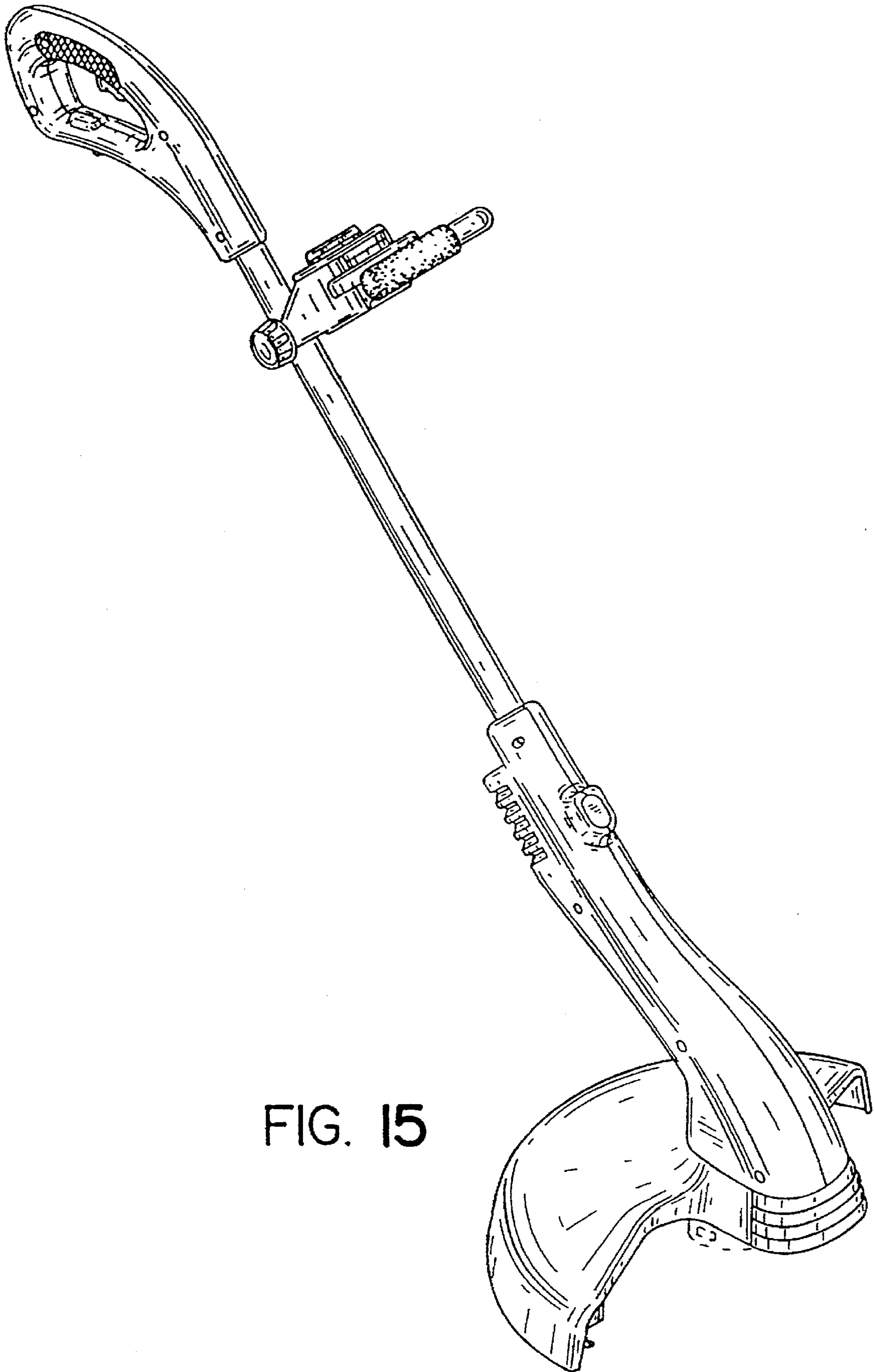


FIG. 15

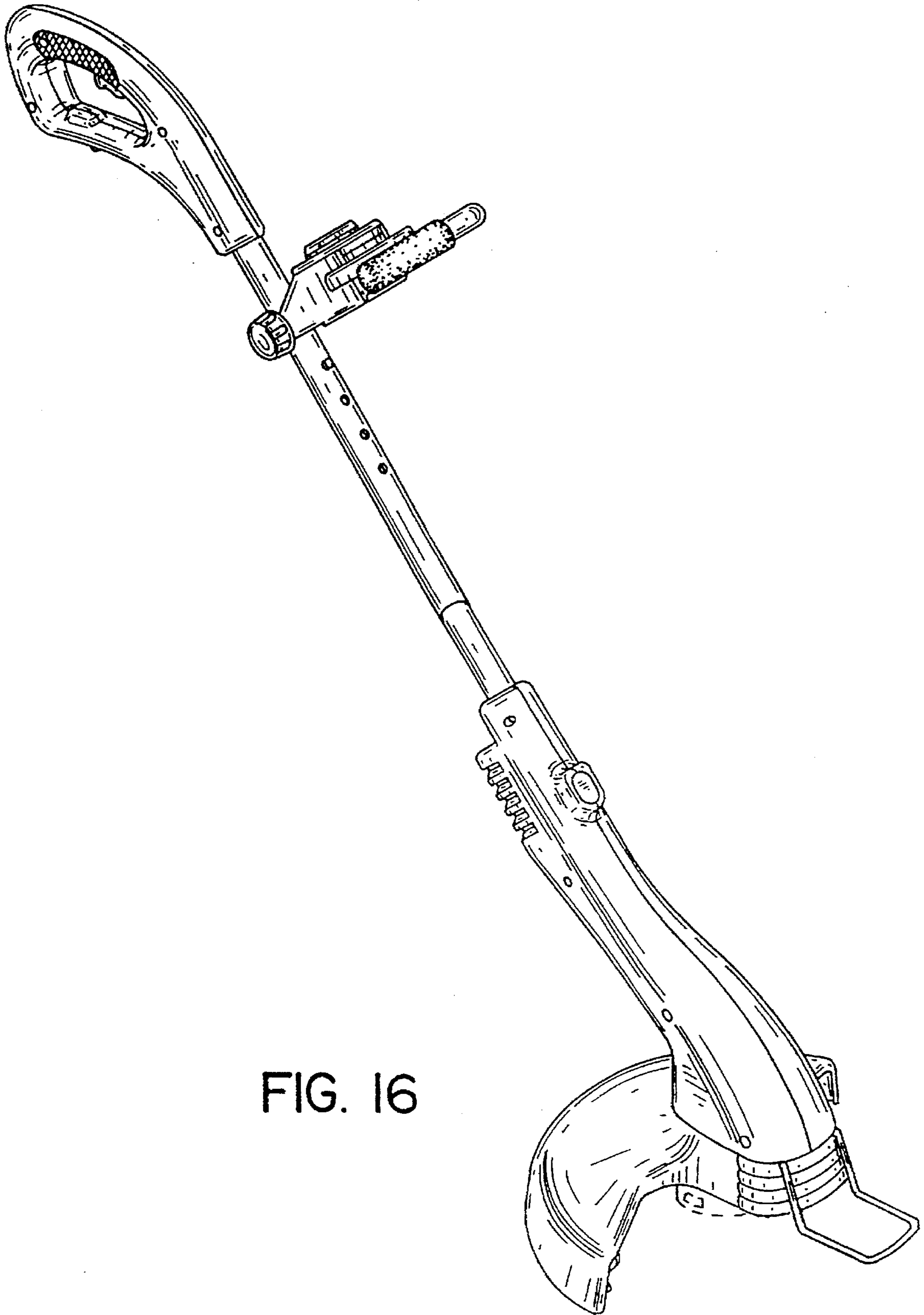


FIG. 16

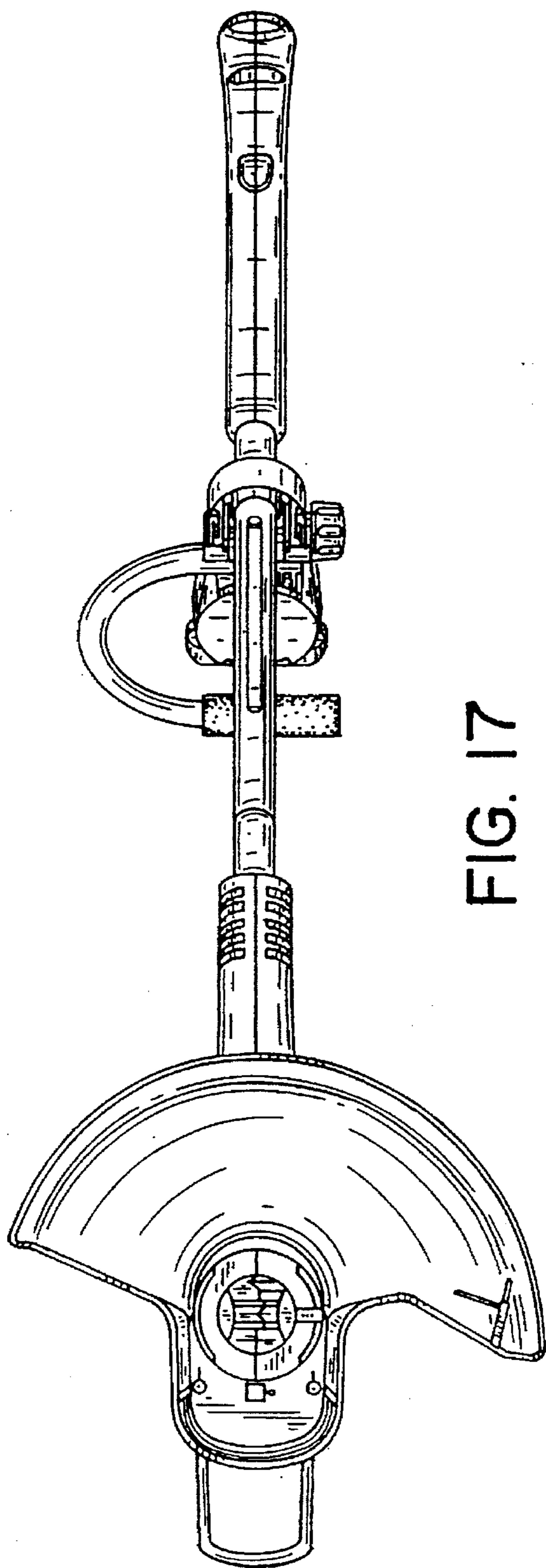


FIG. 17

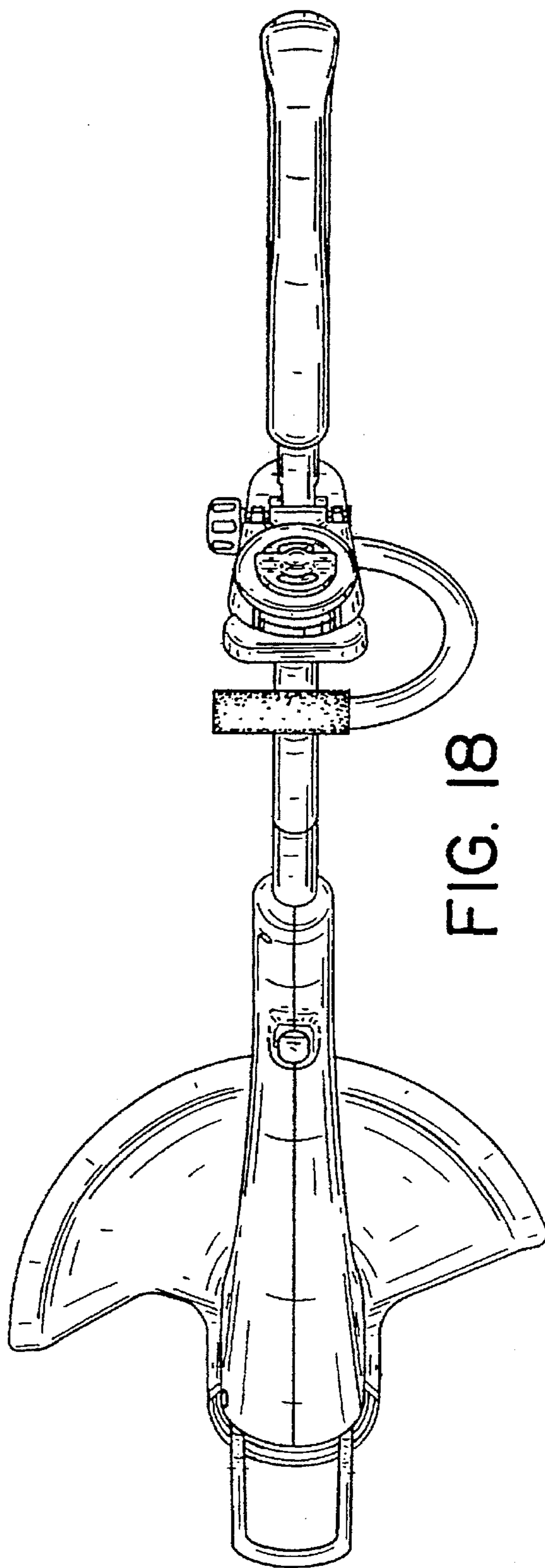


FIG. 18

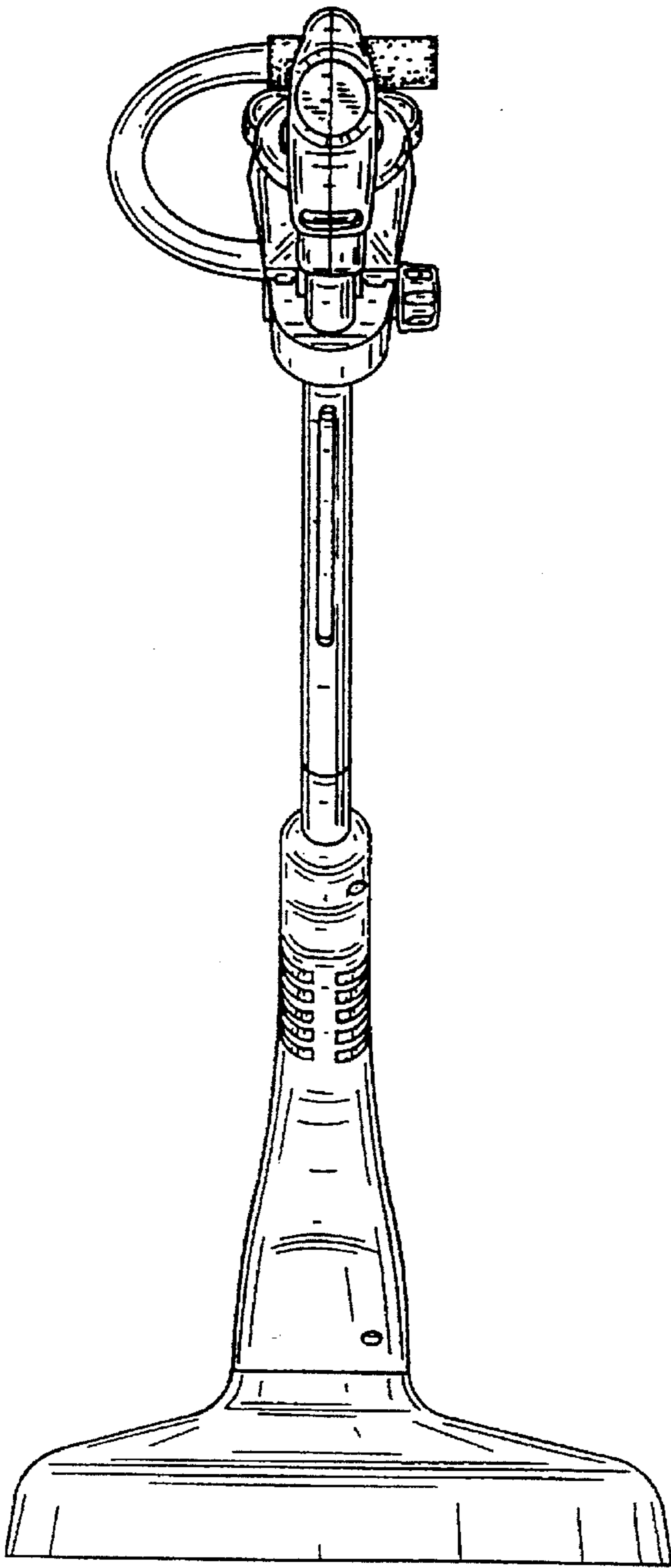


FIG. 19

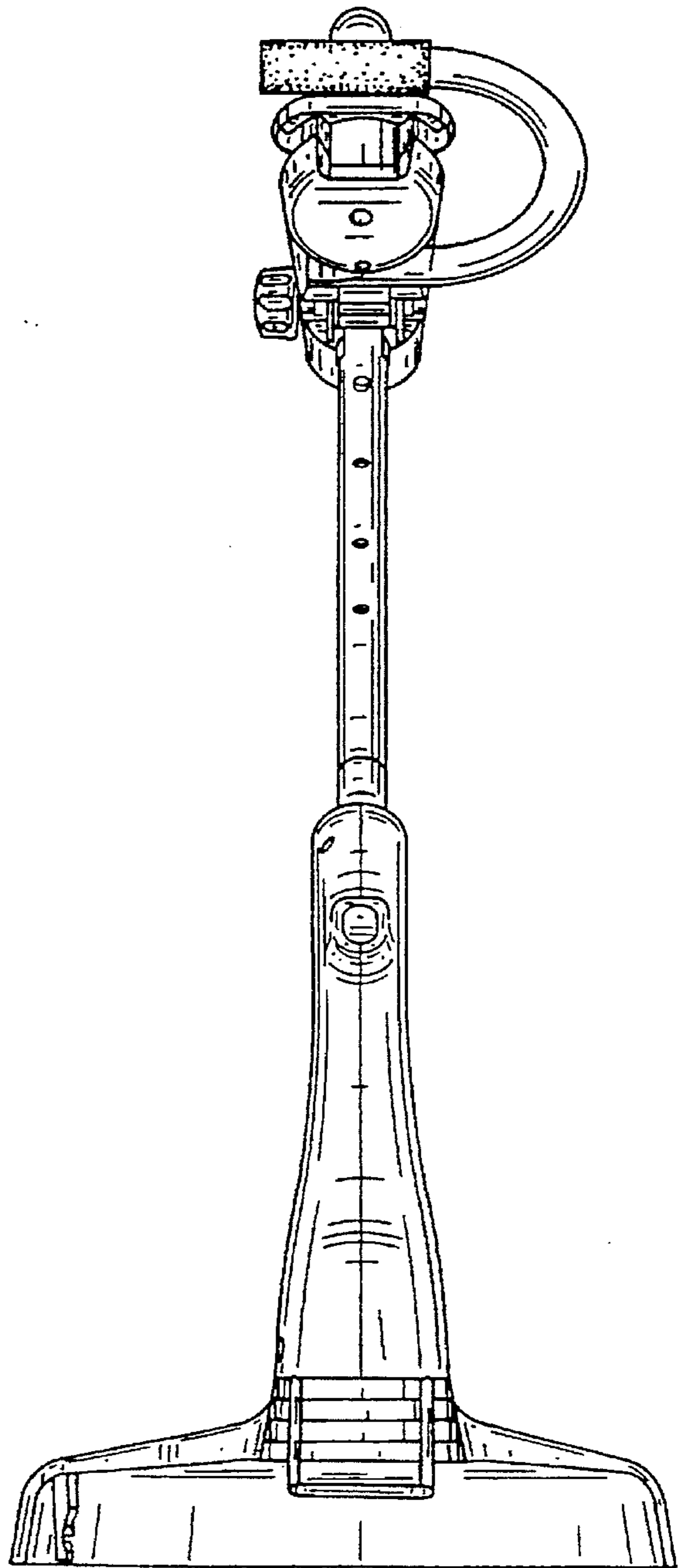


FIG. 20



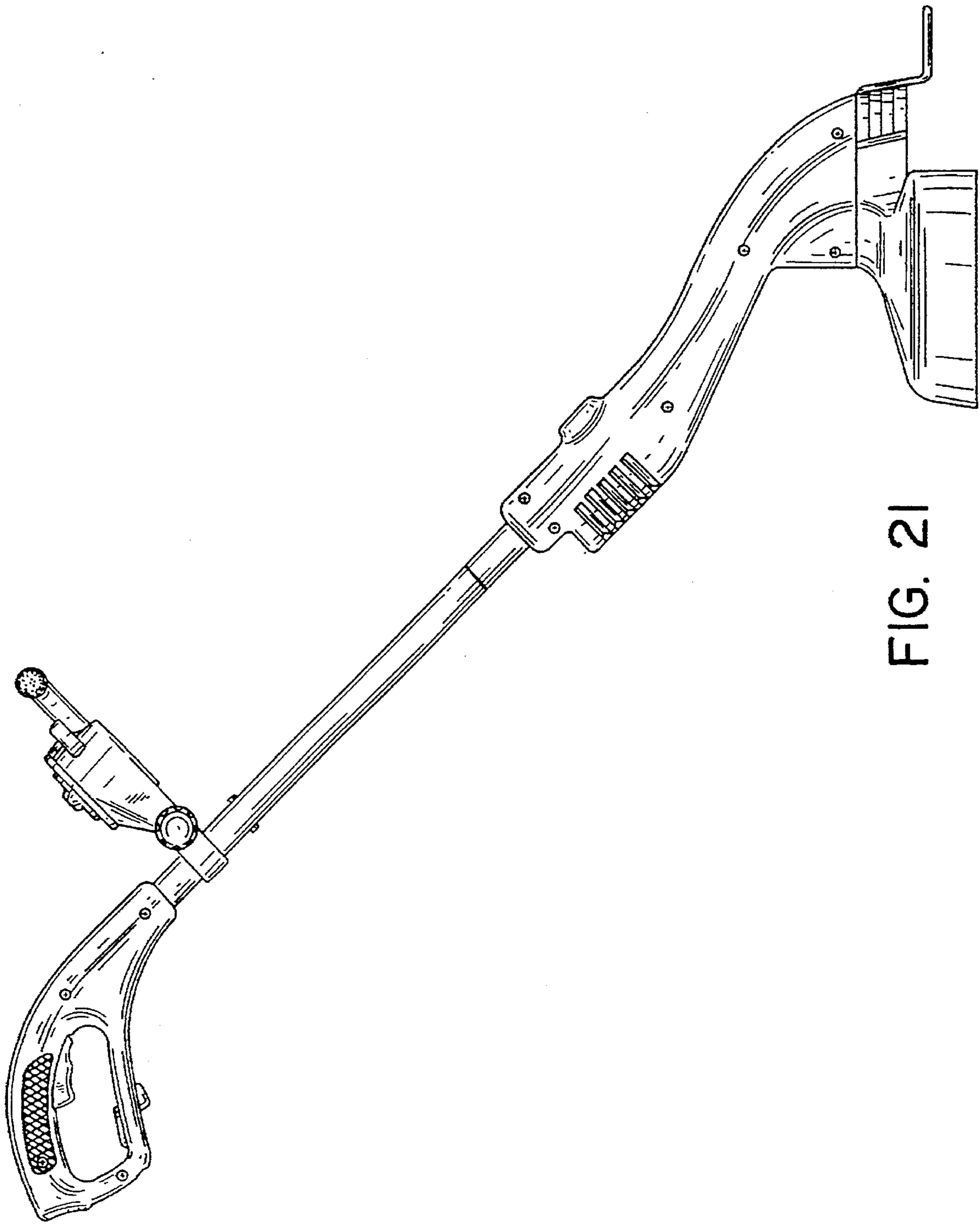


FIG. 21

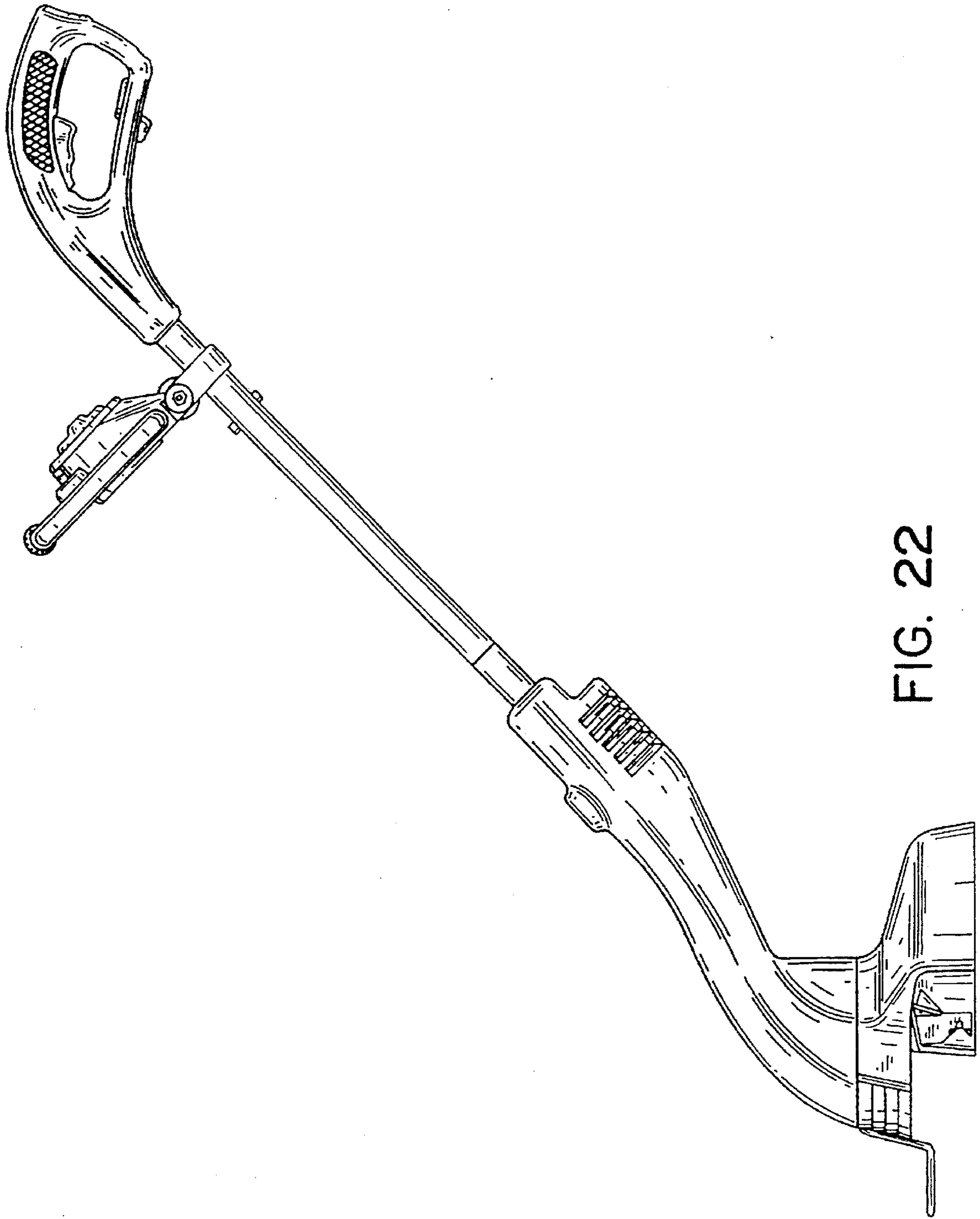


FIG. 22