



US00D382448S

**United States Patent** [19]  
**Maique**

[11] **Patent Number: Des. 382,448**

[45] **Date of Patent: \*\*Aug. 19, 1997**

[54] **FUNNEL**

1,396,606 11/1921 Vincent ..... D7/700 X  
2,811,181 10/1957 Correll ..... 141/340

[76] **Inventor: Lazaro Maique**, 1017 Sandalwood Dr.,  
Harvey, La. 70058

**OTHER PUBLICATIONS**

Design 396, Dec. 1981, p. 54, funnel.

*Primary Examiner*—Terry A. Wallace  
*Attorney, Agent, or Firm*—Keaty & Keaty

[\*\*] **Term: 14 Years**

[21] **Appl. No.: 23,692**

[22] **Filed: May 31, 1994**

[57] **CLAIM**

[51] **LOC (6) Cl. .... 07-99**

The ornamental design for a funnel, as shown.

[52] **U.S. Cl. .... D7/700**

**DESCRIPTION**

[58] **Field of Search** ..... D7/700; D15/150;  
141/331-345

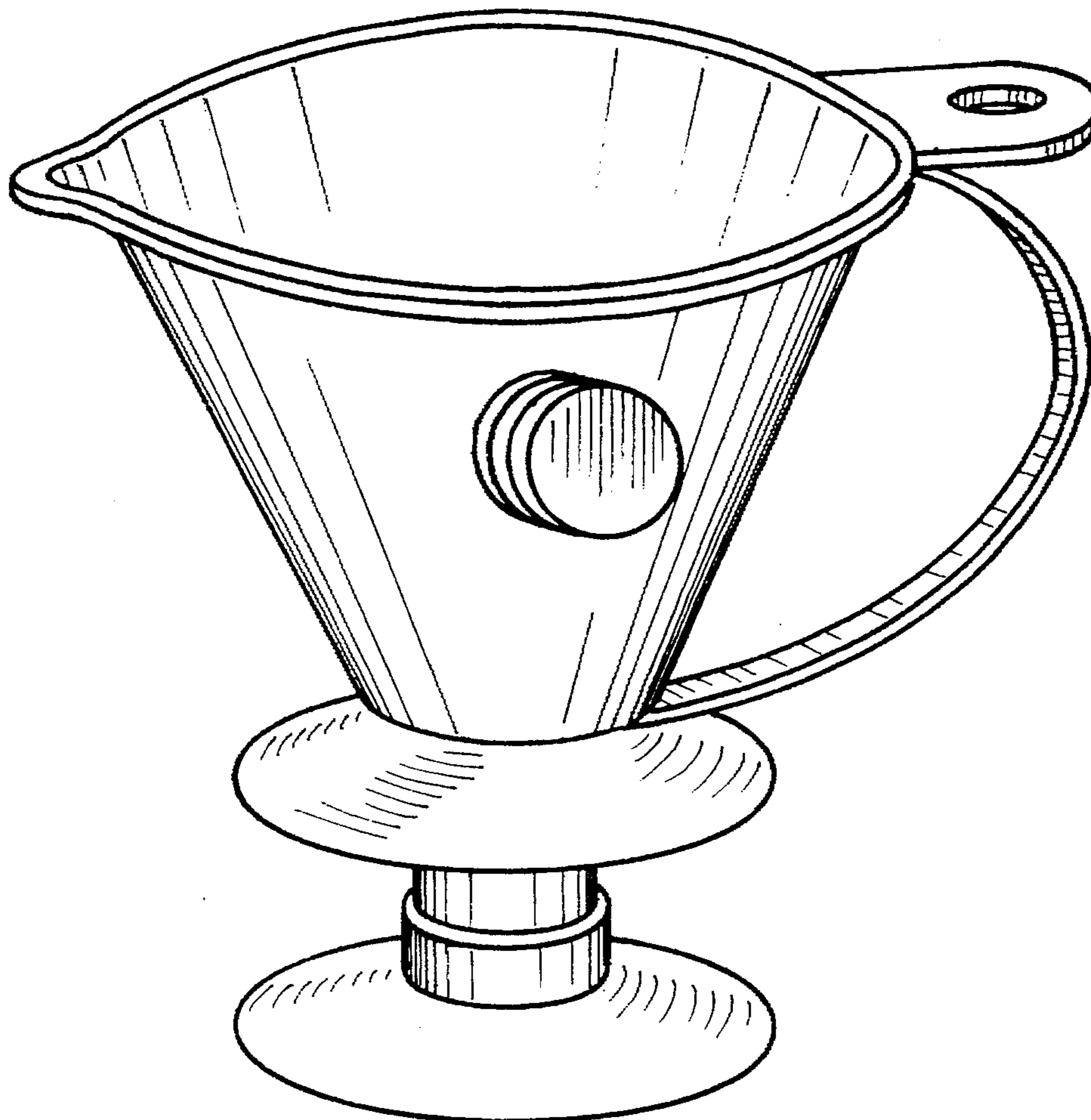
FIG. 1 is a top, rear, left side perspective view of a funnel showing my new design;  
FIG. 2 is a front elevational view thereof;  
FIG. 3 is a right side elevational view thereof; and,  
FIG. 4 is a bottom plan view thereof.

[56] **References Cited**

**U.S. PATENT DOCUMENTS**

D. 205,236 7/1966 Fitzwilliam ..... D7/700  
D. 238,648 2/1976 Jablecki ..... D7/700  
921,898 5/1909 Schultz ..... 141/341

**1 Claim, 1 Drawing Sheet**



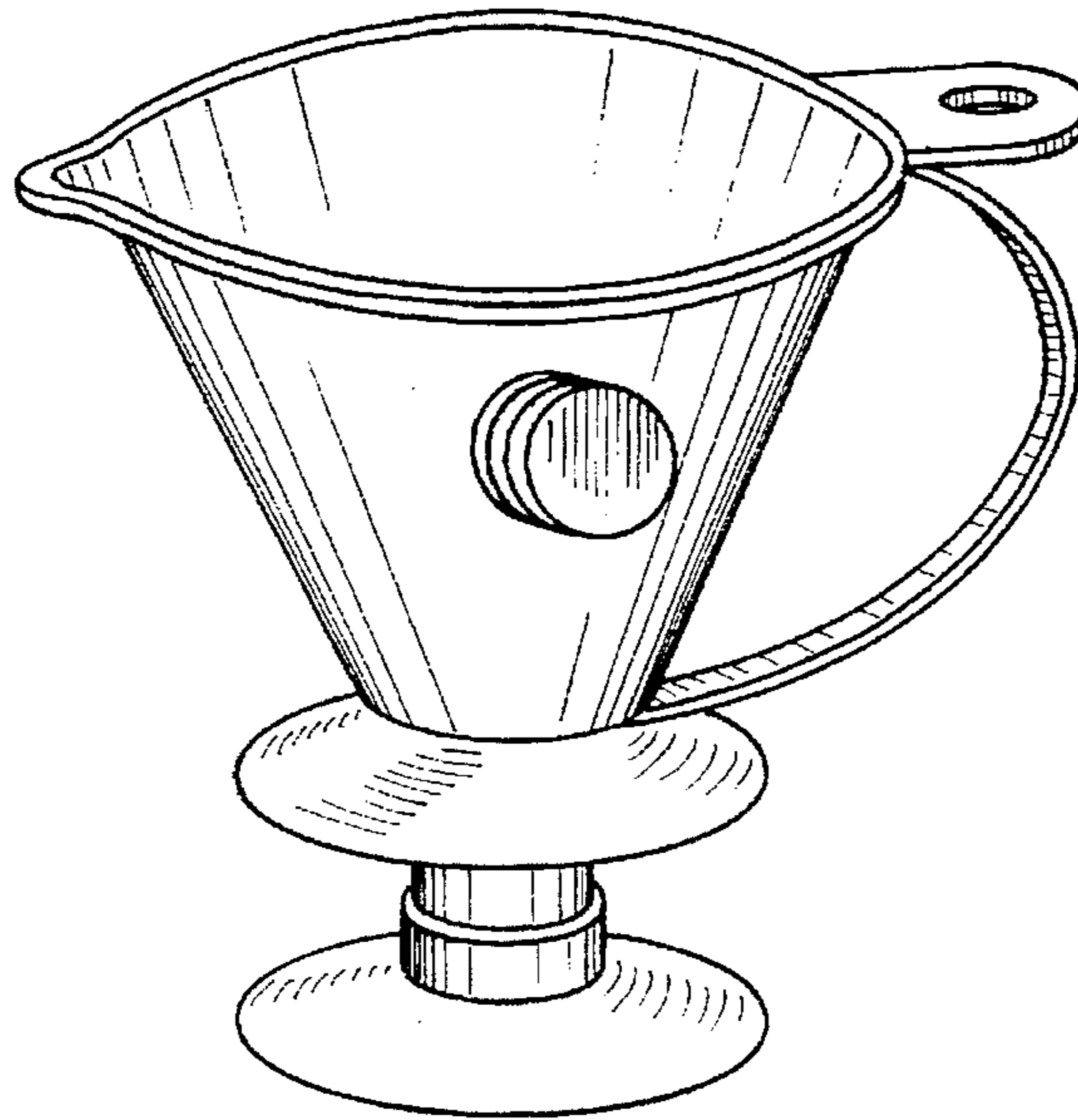


FIG. 1

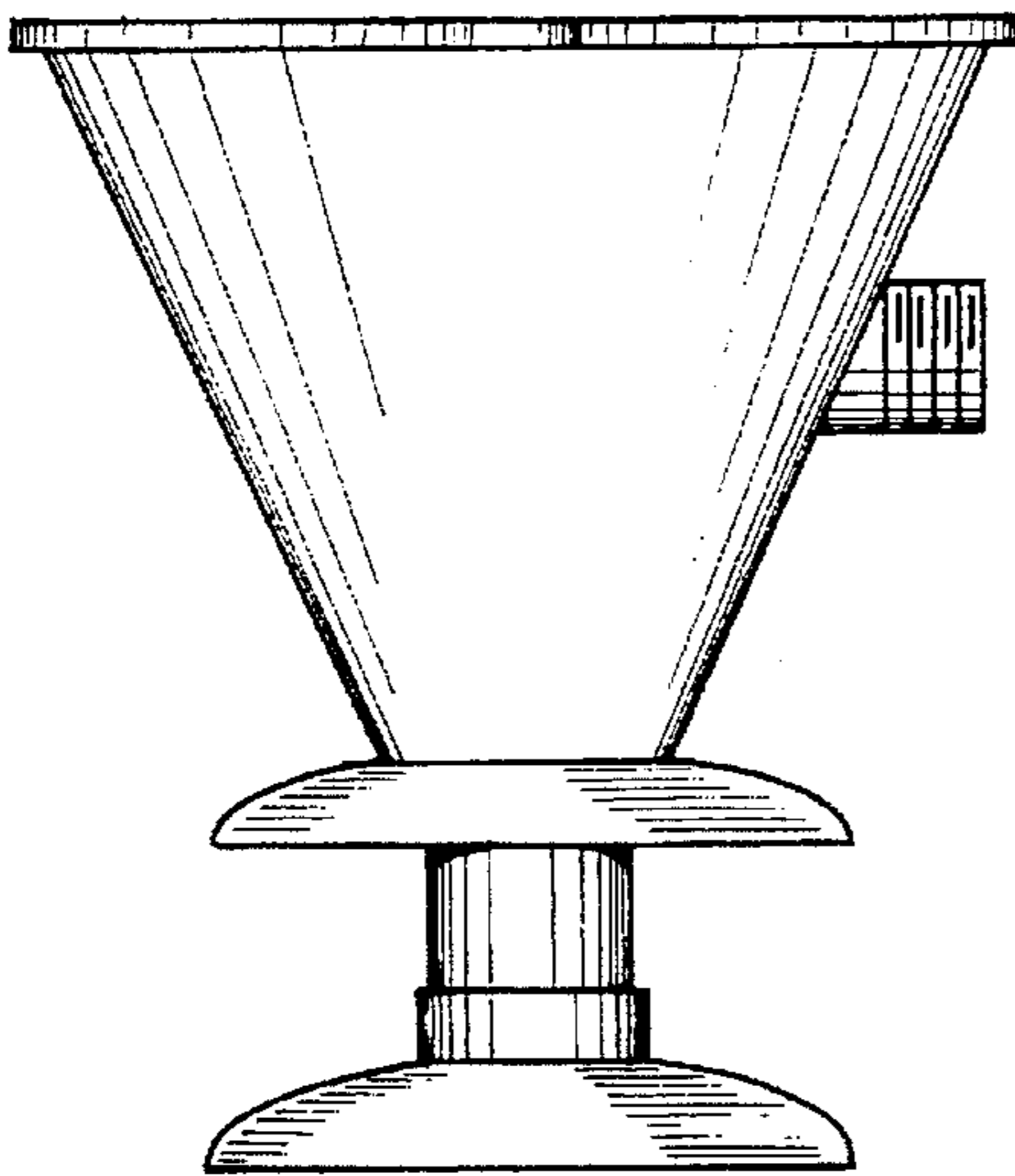


FIG. 2

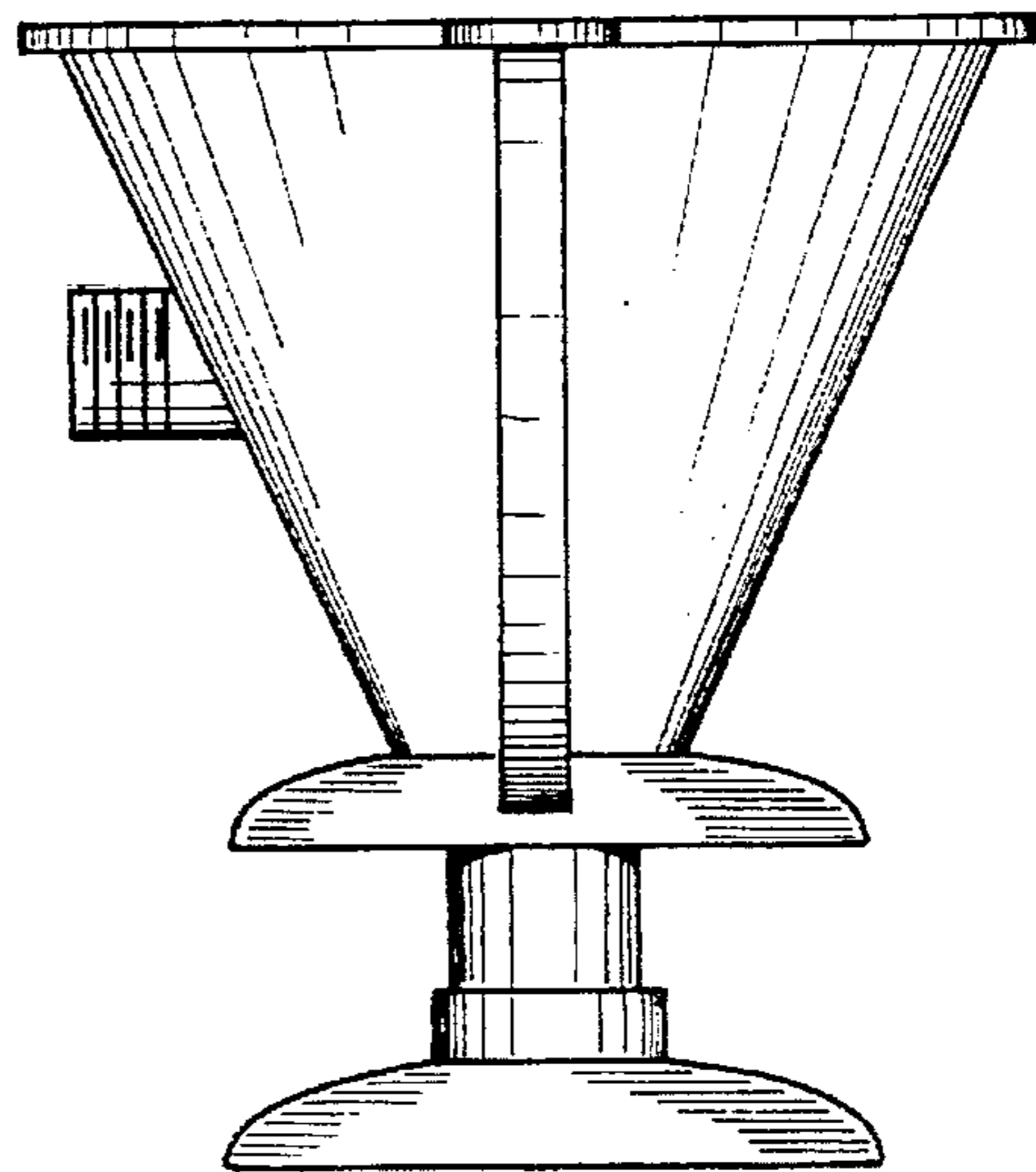


FIG. 3

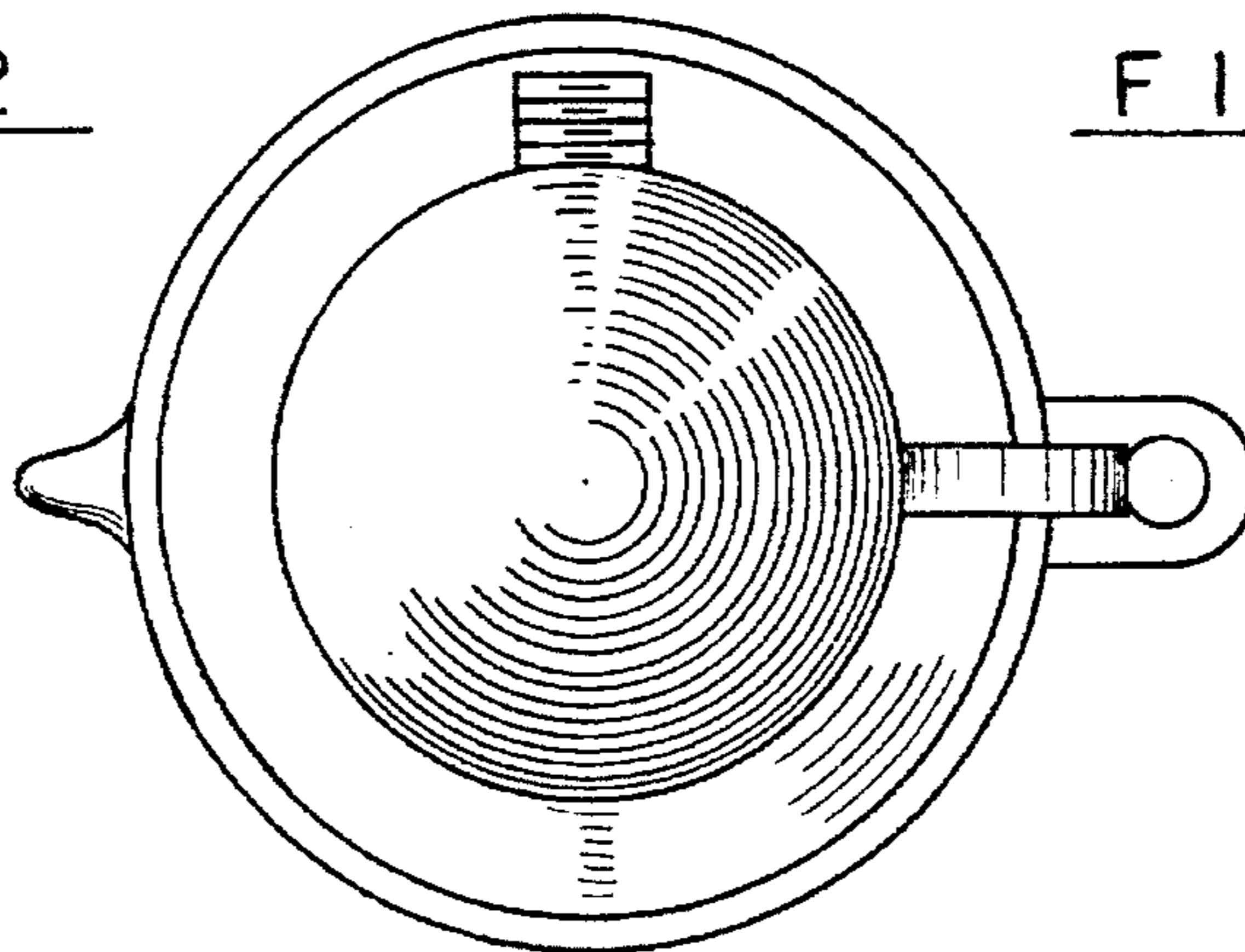


FIG. 4