



US00D382441S

United States Patent [19]
Ferrara, Jr.

[11] **Patent Number: Des. 382,441**
[45] **Date of Patent: **Aug. 19, 1997**

[54] **FOLDABLE UTILITY LIGHTER**
[75] **Inventor: Daniel A. Ferrara, Jr., Bantam, Conn.**
[73] **Assignee: BIC Corporation, Milford, Conn.**
[**] **Term: 14 Years**

4,502,465 3/1985 Yoshinaga et al. 126/409
4,538,983 9/1985 Zeller et al. .
4,810,173 3/1989 Thomson et al. D7/416 X
5,135,388 8/1992 Pettit D7/416 X
5,154,601 10/1992 Lloveras Capilla .
5,199,865 4/1993 Liang .
5,222,889 6/1993 Hsu .
5,326,256 7/1994 Shike et al. .

[21] **Appl. No.: 53,453**
[22] **Filed: Apr. 23, 1996**

FOREIGN PATENT DOCUMENTS

DM/034 000 7/1995 Spain .

[51] **LOC (6) Cl. 07-99**
[52] **U.S. Cl. D7/416**
[58] **Field of Search D7/416, 417; D27/139,
D27/141, 142, 147, 148, 154; 126/25 B,
409; 431/254, 13**

OTHER PUBLICATIONS

EPA, Lighter Undated.

Primary Examiner—M. N. Pandozzi
Attorney, Agent, or Firm—Pennie & Edmonds

[56] **References Cited**

[57] **CLAIM**

U.S. PATENT DOCUMENTS

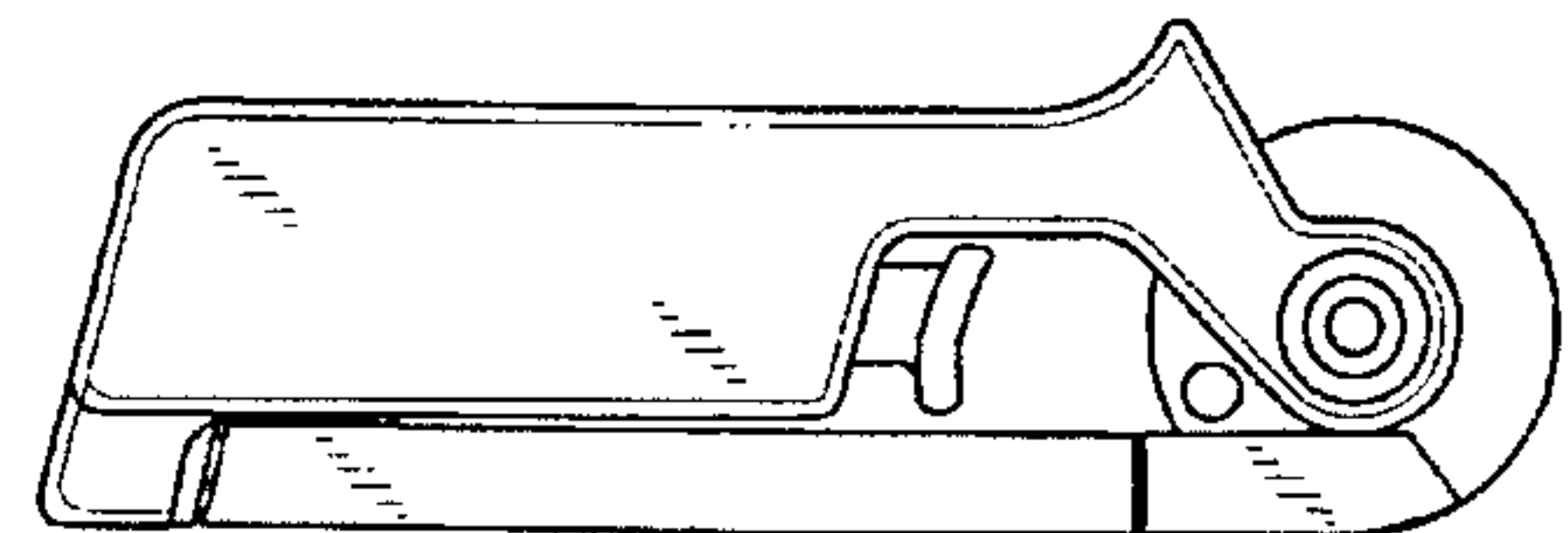
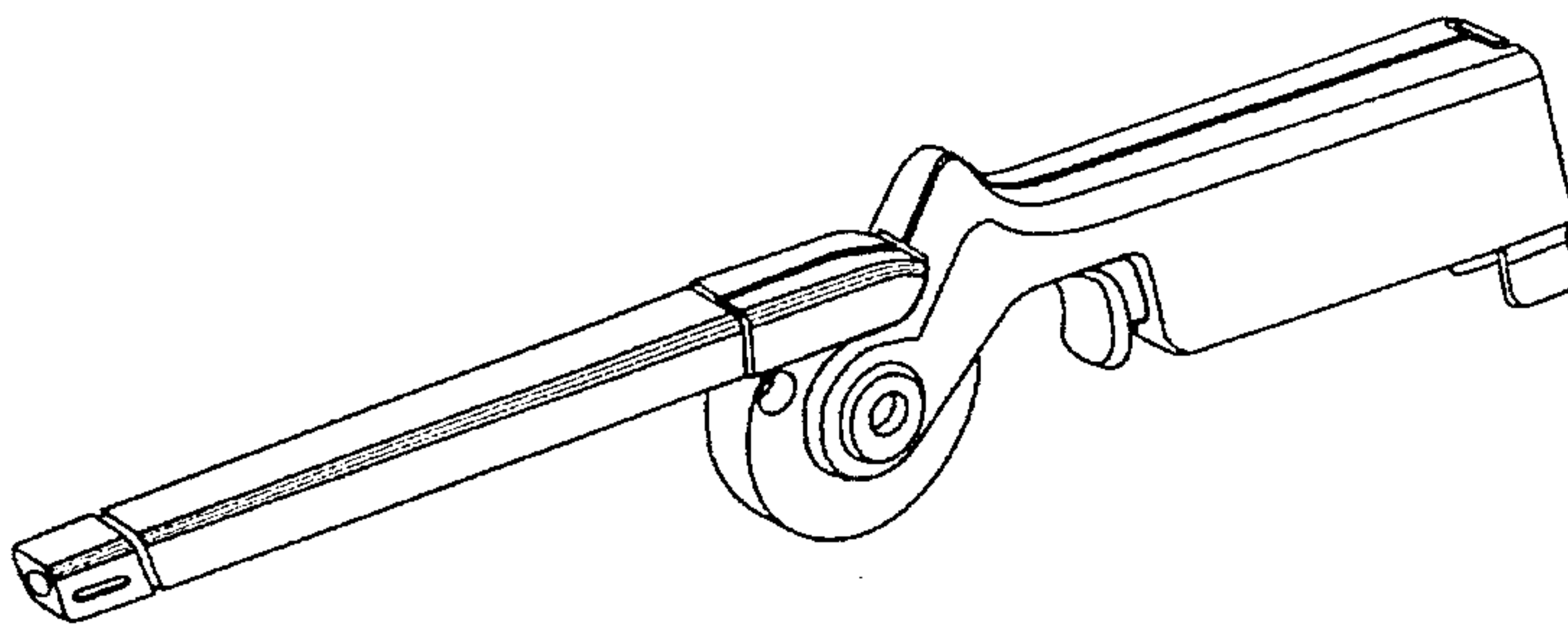
The ornamental design for a foldable utility lighter, as shown and described.

- D. 203,349 12/1965 Gross D7/416
- D. 213,518 3/1969 Poppel D7/416
- D. 258,840 4/1981 Plozner D7/416
- D. 267,820 2/1983 Tomita D7/416
- D. 295,598 5/1988 Takase D7/416
- D. 314,118 1/1991 Lloveras Capilla D7/416
- D. 327,813 7/1992 Shike et al. D7/416
- D. 354,196 1/1995 Inoue D7/416
- D. 360,107 7/1995 Segawa D7/416
- D. 360,557 7/1995 Ono et al. D7/416
- 910,313 1/1909 Raymond D27/148 X
- 3,520,647 7/1970 Van Poppel .
- 3,947,731 3/1976 Vainer .
- 4,222,734 9/1980 Nolf .
- 4,253,818 3/1981 Ogawa et al. .
- 4,253,820 3/1981 Jarreau .
- 4,259,059 3/1981 Roosa et al. .
- 4,273,528 6/1981 Gobelt .
- 4,292,021 9/1981 Miyagawa 431/13
- 4,389,187 6/1983 Sims .
- 4,462,791 7/1984 Hayden .

DESCRIPTION

FIG. 1 is a rear perspective view of a foldable utility lighter showing my new design;
FIG. 2 is an end view of the foldable utility lighter shown in FIG. 1;
FIG. 3 is the other end view of the foldable utility lighter shown in FIG. 1;
FIG. 4 is a top view of the foldable utility lighter shown in FIG. 1;
FIG. 5 is a bottom view of the utility lighter shown in FIG. 1;
FIG. 6 is a front view of the utility lighter shown in FIG. 1;
FIG. 7 is the front view of the utility lighter shown in FIG. 1 in the partially open position; and,
FIG. 8 is the front view of the utility lighter shown in FIG. 1 in the closed position.

1 Claim, 3 Drawing Sheets



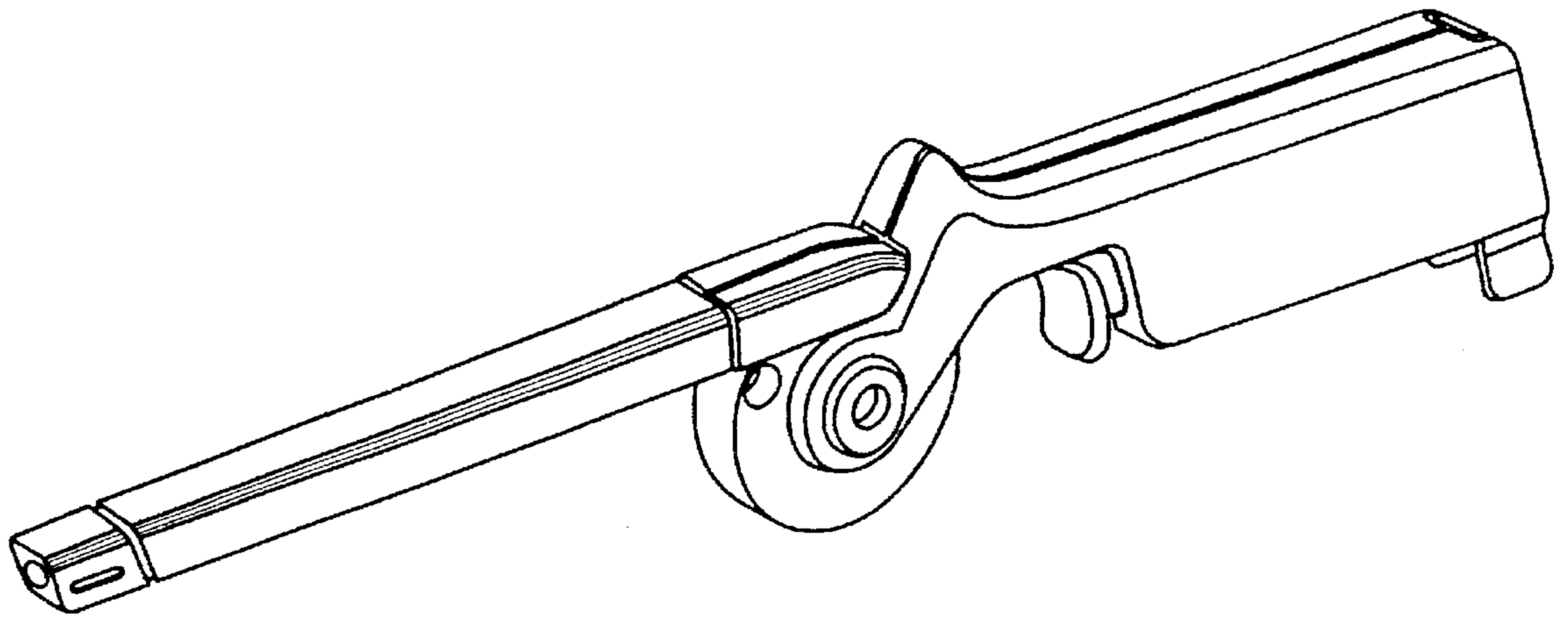


FIG 1

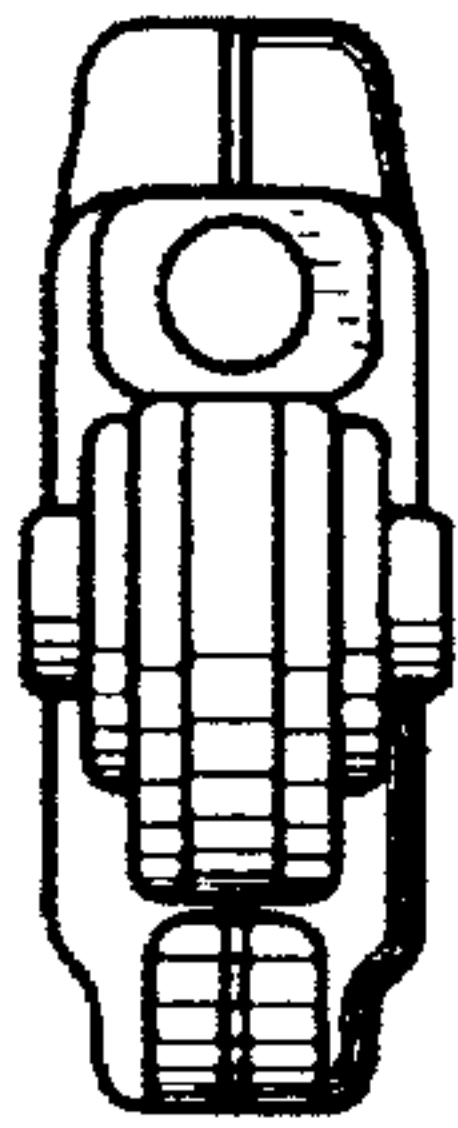


FIG 2

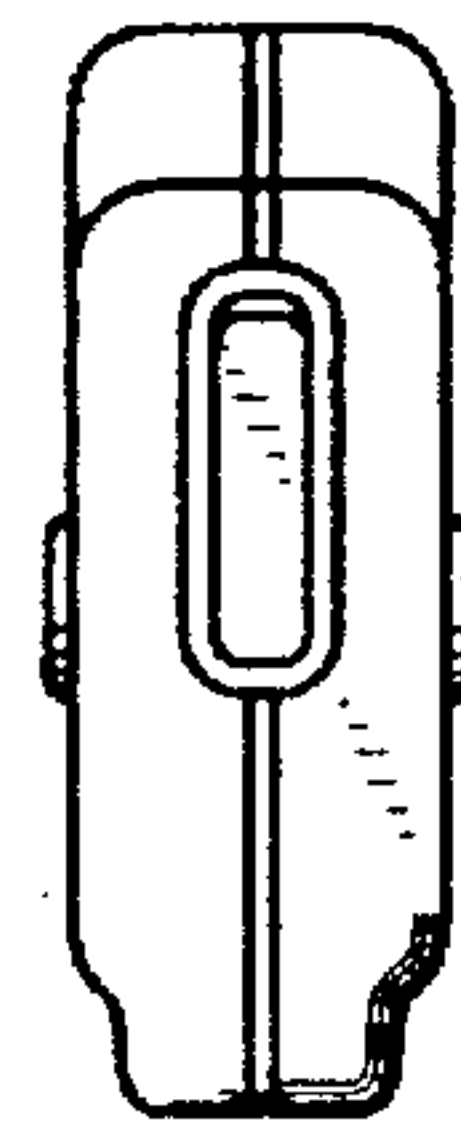


FIG 3

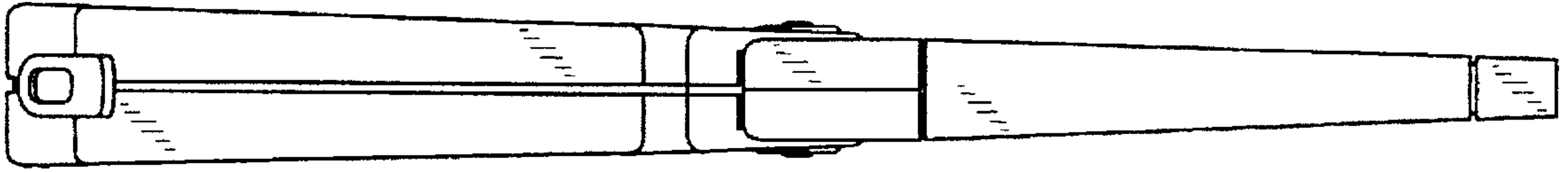


FIG 4

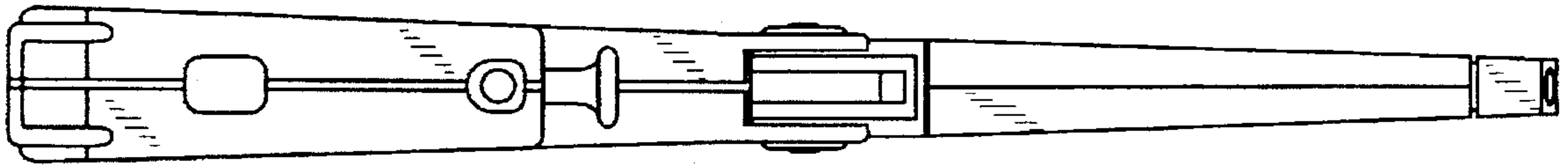


FIG 5

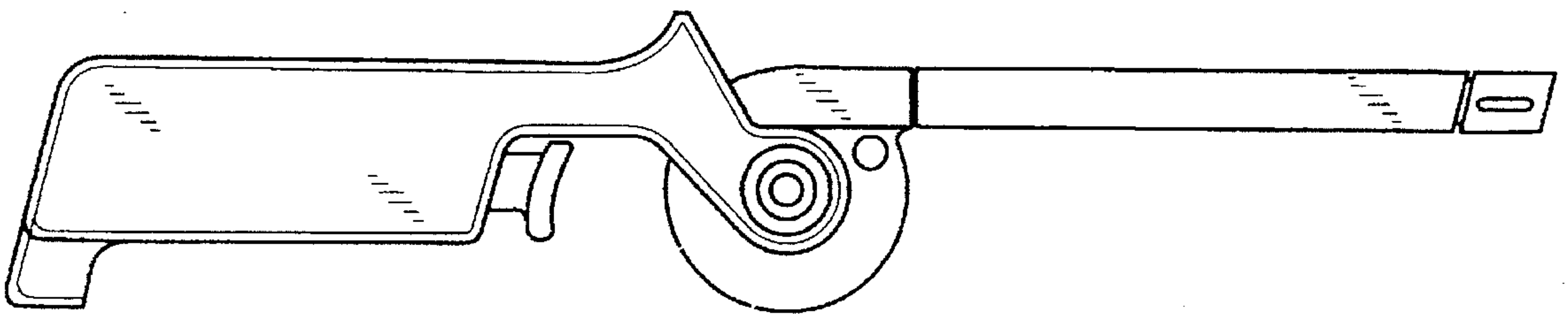


FIG 6

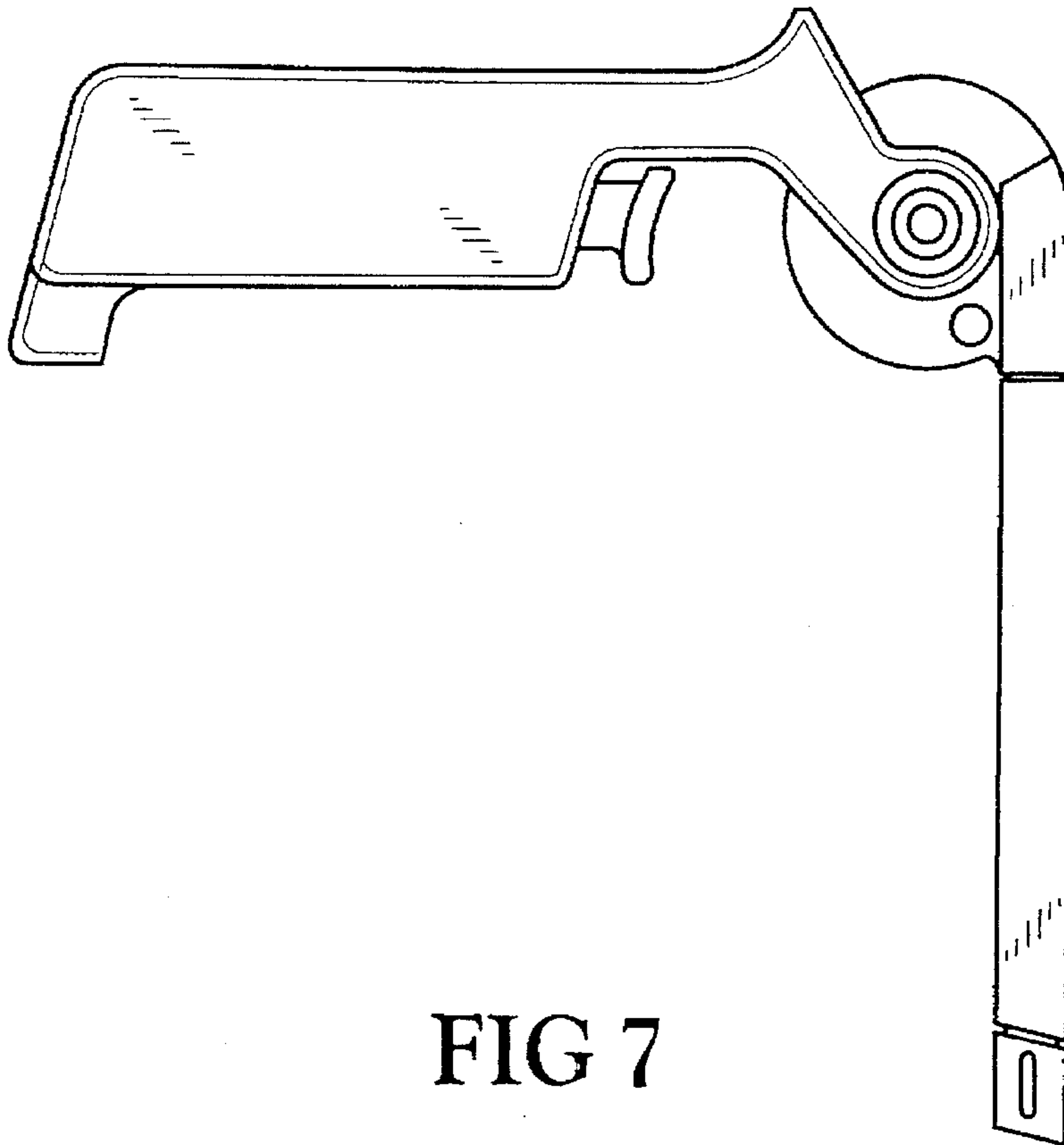


FIG 7

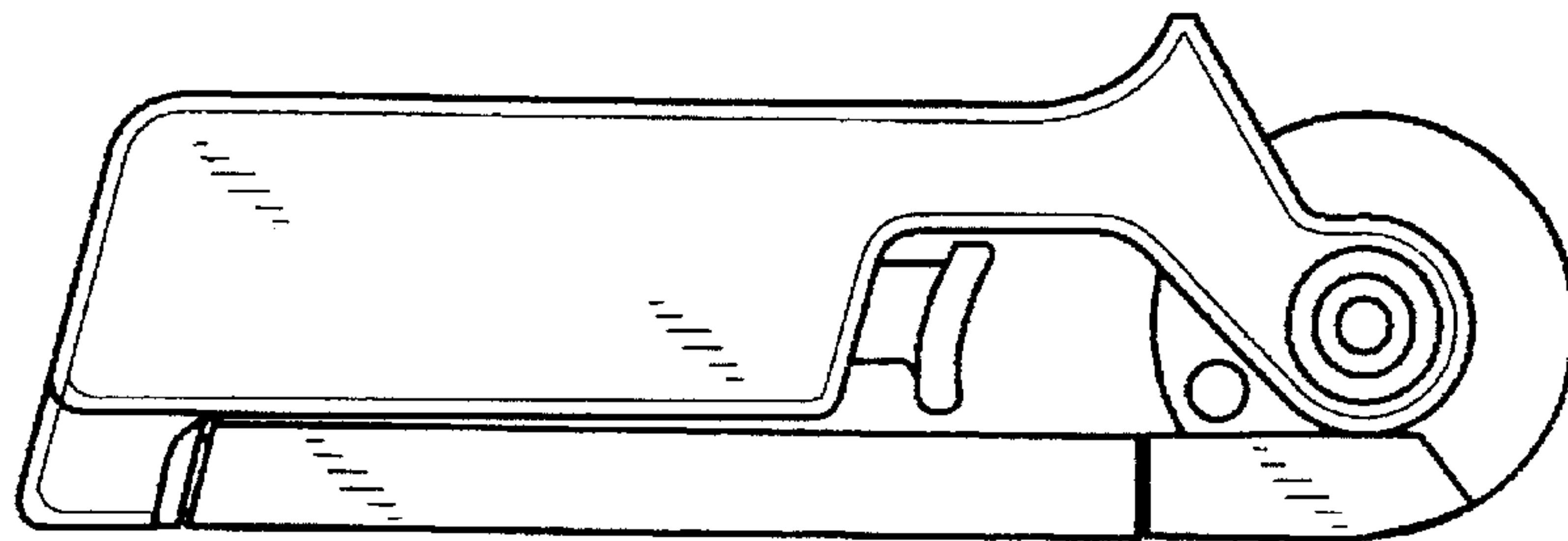


FIG 8