



US00D382439S

United States Patent [19]
Feiz

[11] **Patent Number:** **Des. 382,439**
[45] **Date of Patent:** ****Aug. 19, 1997**

[54] **COFFEE MAKER**

[75] **Inventor:** **Khodayar Feiz**, Geldrop, Netherlands

[73] **Assignee:** **U.S. Philips Corporation**, New York, N.Y.

[**] **Term:** **14 Years**

[21] **Appl. No.:** **50,099**

[22] **Filed:** **Feb. 8, 1996**

[30] **Foreign Application Priority Data**

Oct. 25, 1995 [CH] Switzerland DMA/003 111

[51] **LOC (6) Cl.** **07-99**

[52] **U.S. Cl.** **D7/309; D7/311**

[58] **Field of Search** **D7/300, 301, 309, D7/310, 311; 99/295, 304, 306**

[56] **References Cited**

U.S. PATENT DOCUMENTS

D. 346,298 4/1994 Brady et al. D7/311 X

D. 358,736 5/1995 Kahlcke D7/309
D. 359,195 6/1995 Mukai et al. D7/309
D. 359,413 6/1995 Storsberg D7/309
D. 366,385 1/1996 Alessiaghii et al. D7/310 X
5,251,541 10/1993 Anson 99/295 X

Primary Examiner—M. N. Pandozzi
Attorney, Agent, or Firm—Ernestine C. Bartlett

[57] **CLAIM**

The ornamental design for a coffee maker, as shown.

DESCRIPTION

FIG. 1 is a front, top, right side, perspective view showing my new design;

FIG. 2 is a front elevational view thereof;

FIG. 3 is a rear elevational view thereof;

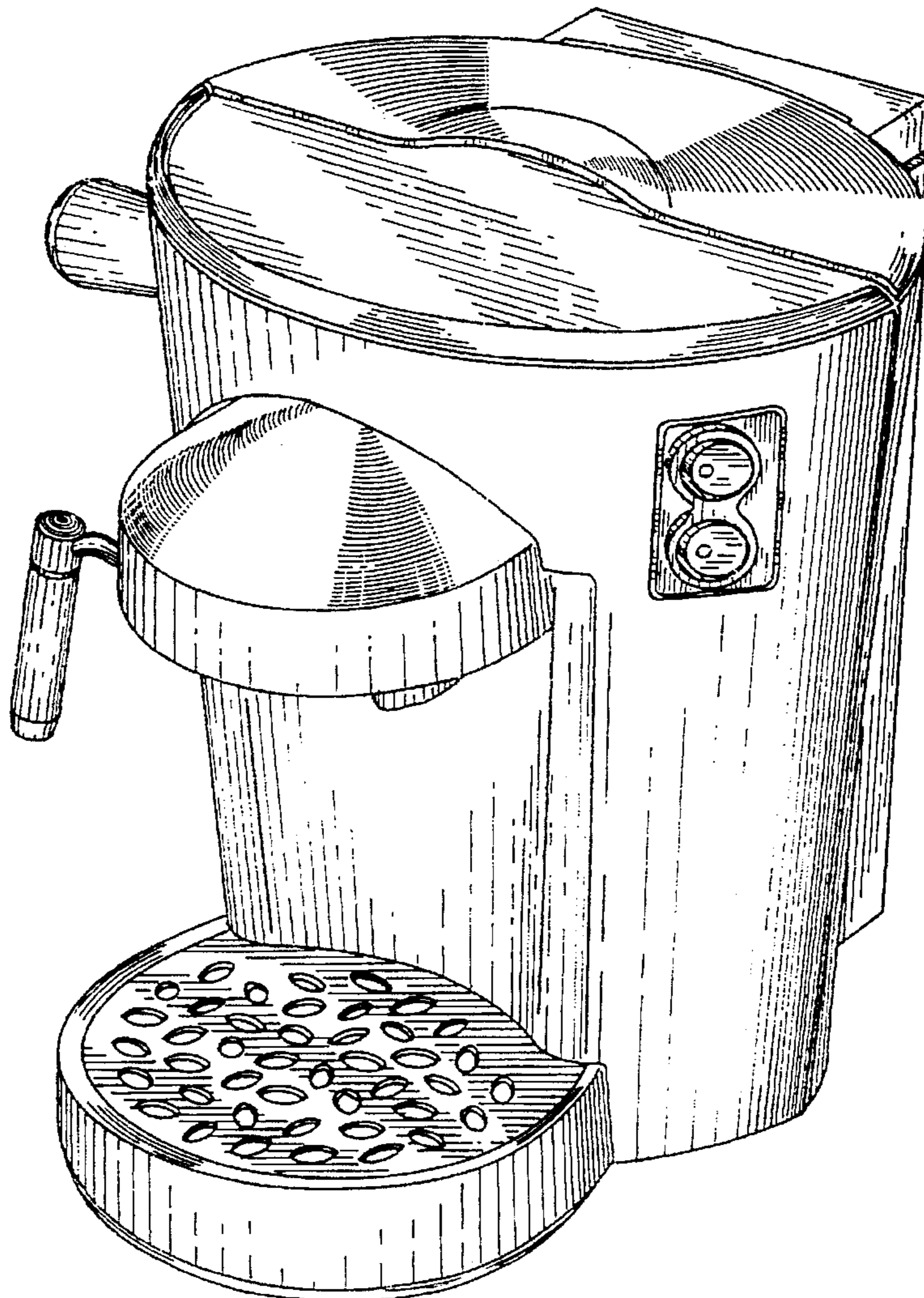
FIG. 4 is a right side elevational view thereof;

FIG. 5 is a left side elevational view thereof;

FIG. 6 is a top plan view thereof; and,

FIG. 7 is a bottom plan view thereof.

1 Claim, 7 Drawing Sheets



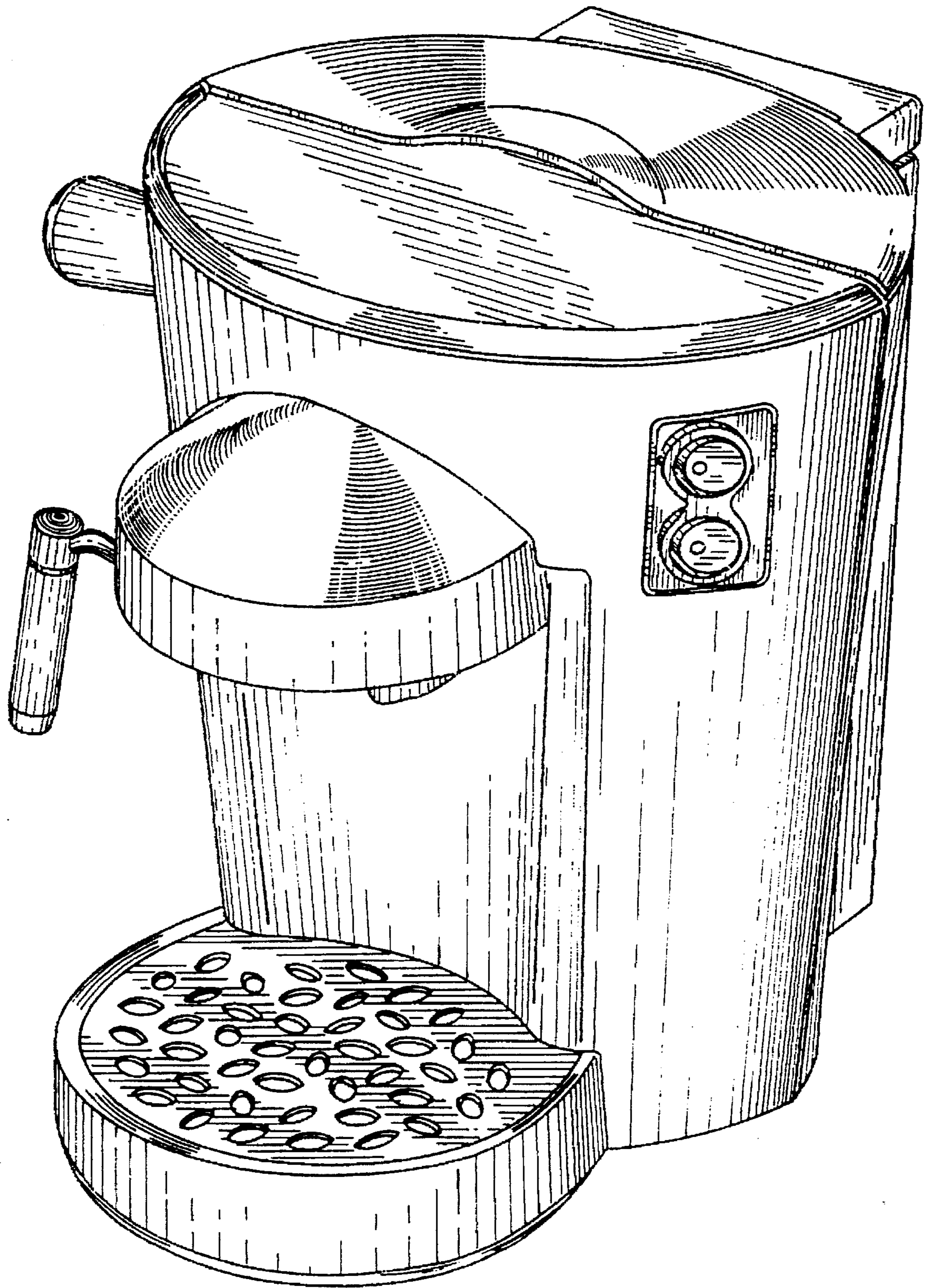


FIG. 1

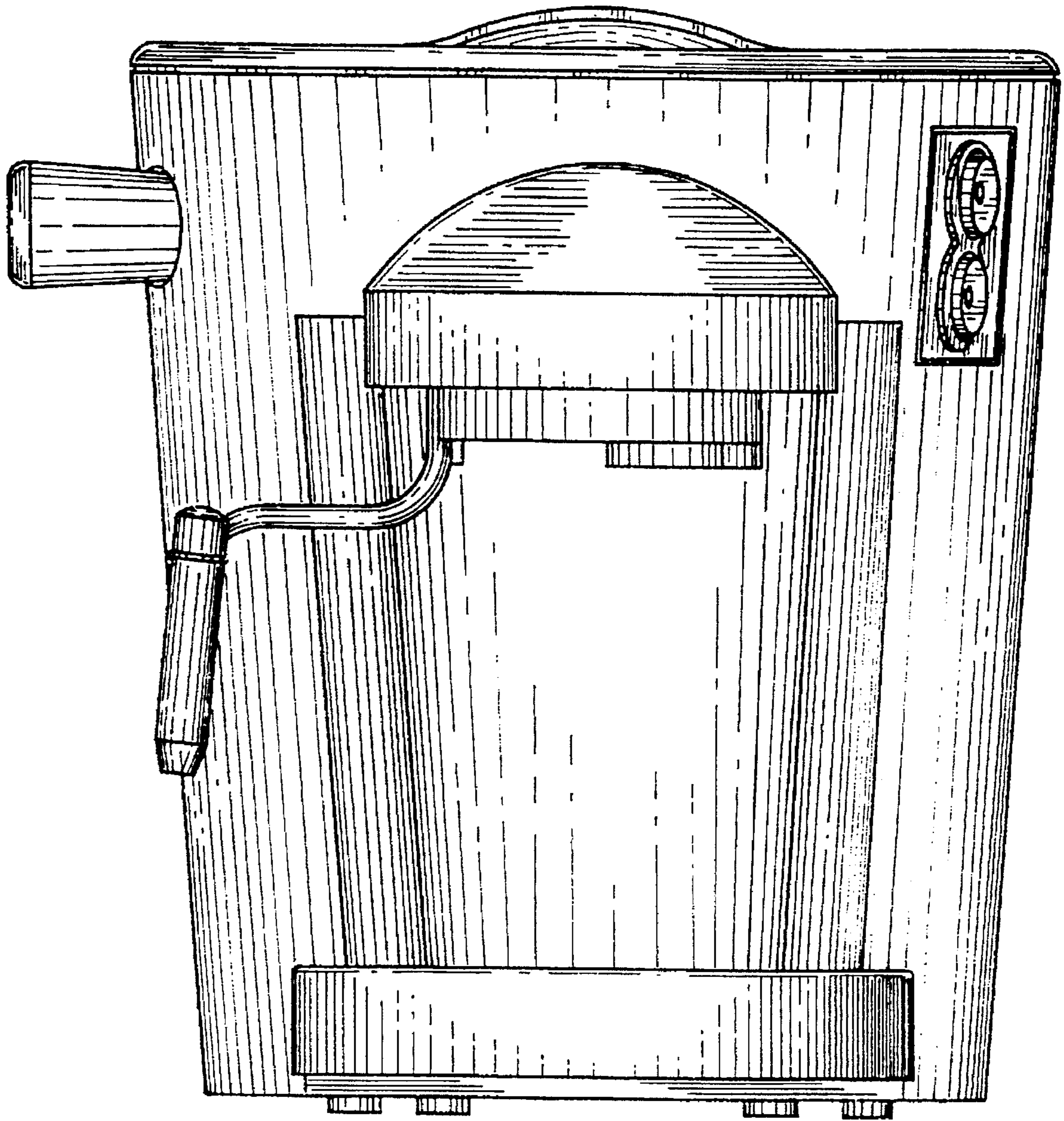


FIG. 2

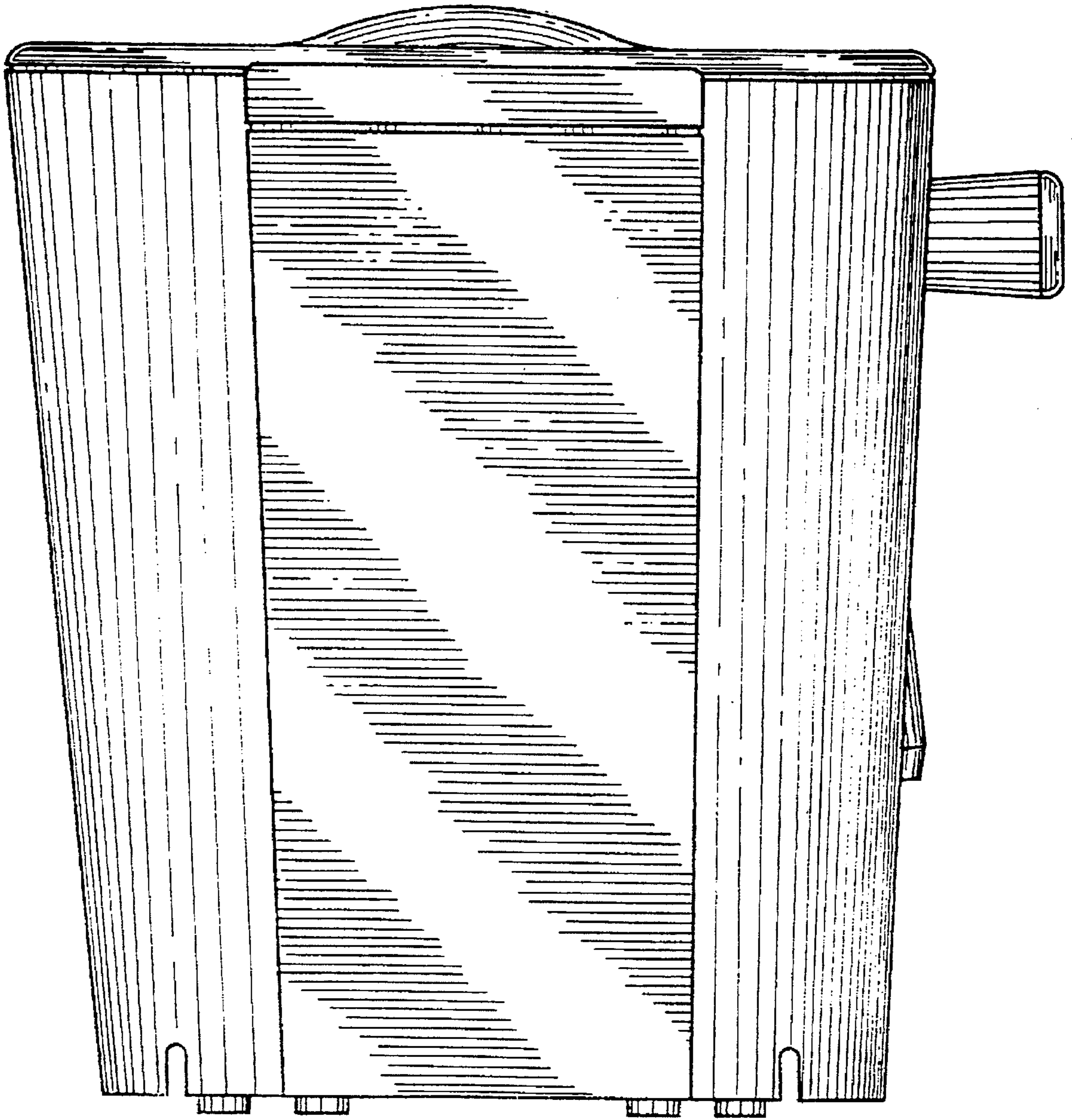


FIG. 3

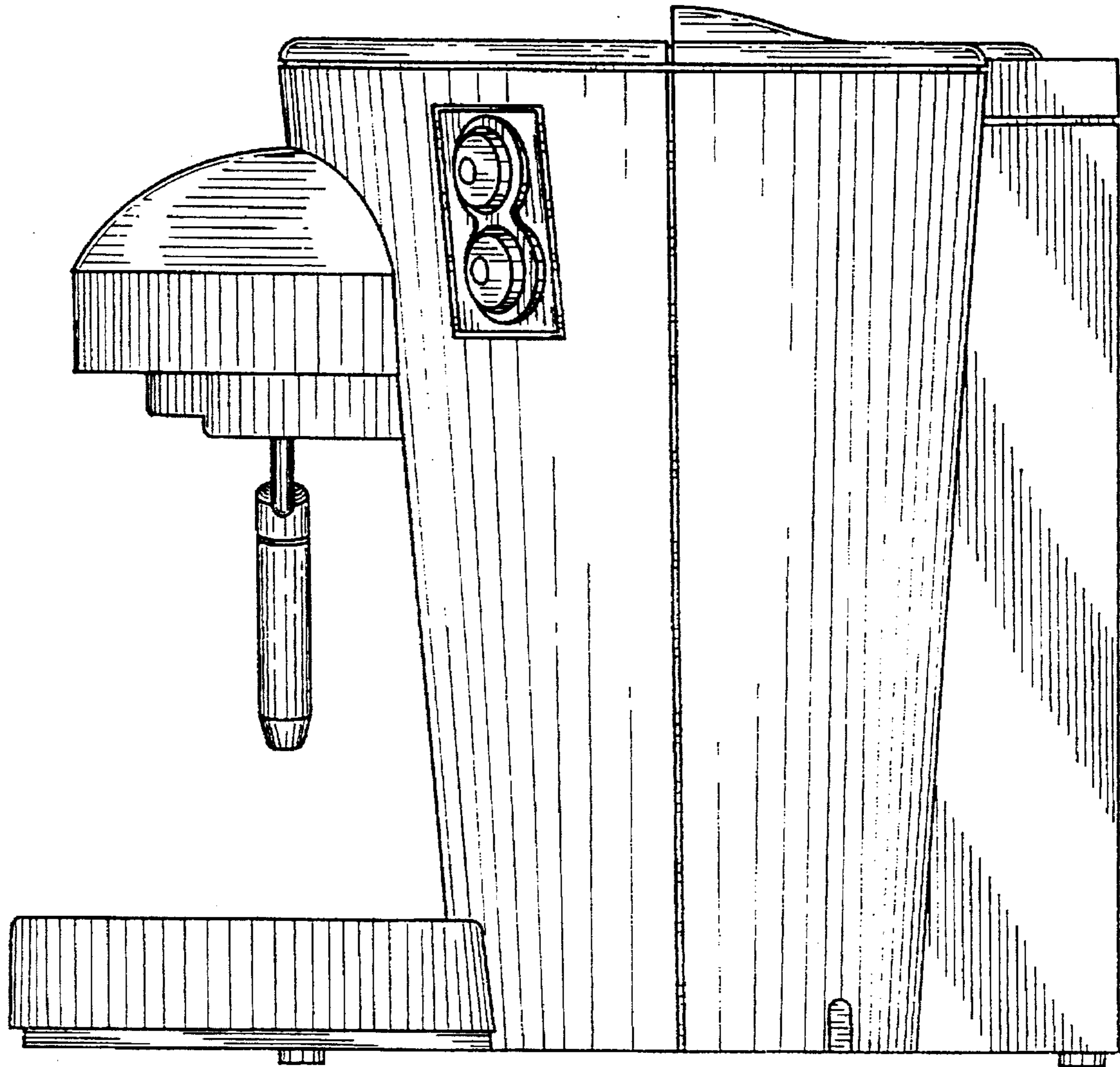


FIG. 4

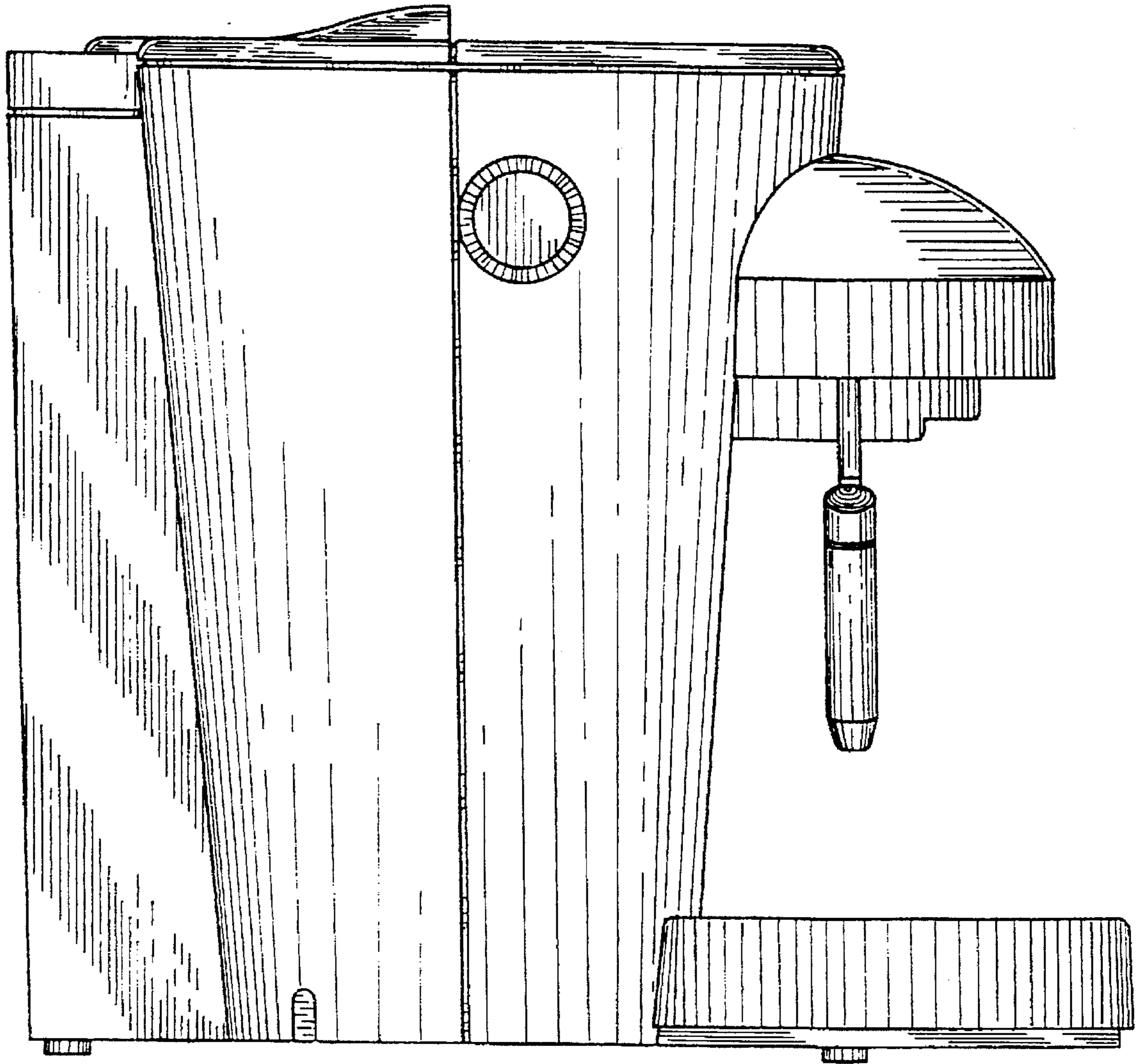


FIG. 5

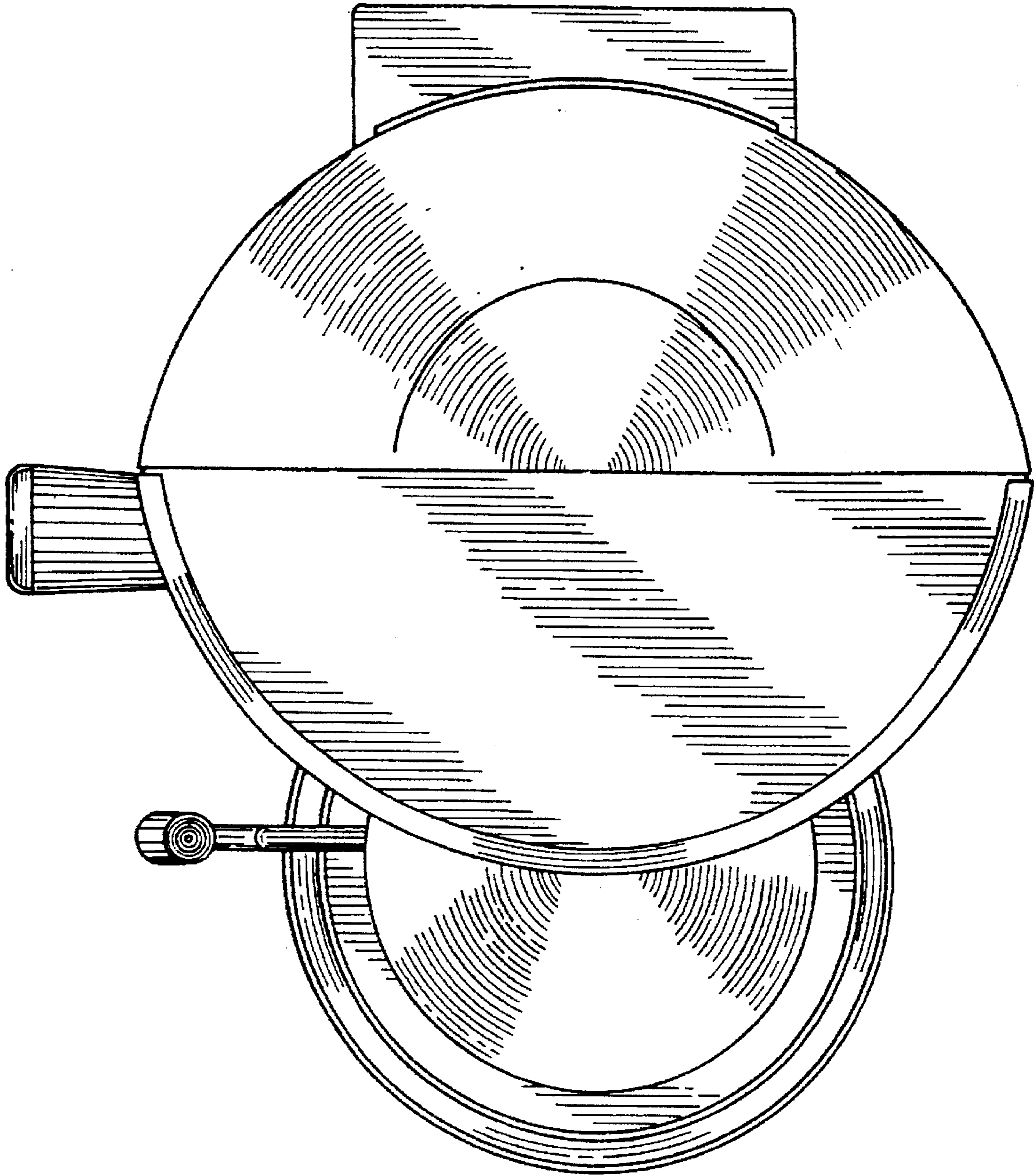


FIG. 6

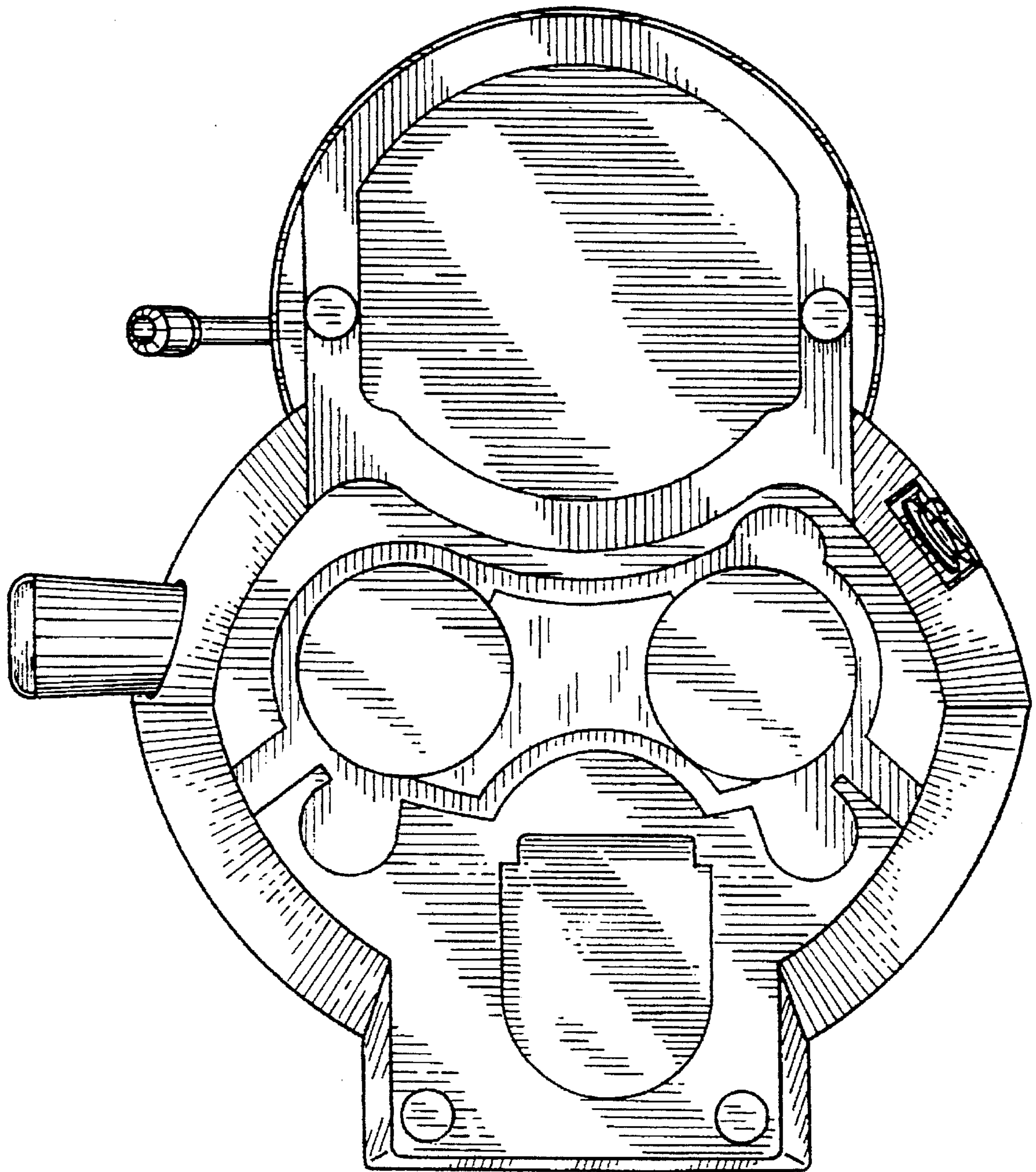


FIG. 7