



US00D382434S

# United States Patent [19]

Klein et al.

[11] Patent Number: **Des. 382,434**

[45] Date of Patent: **\*\*Aug. 19, 1997**

[54] **HANGING SHOE RACK**  
[75] Inventors: **Richard B. Klein**, Overland Park;  
**Chris Serslev**, Leawood, both of Kans.

[73] Assignee: **Lynk, Inc.**, Shawnee Mission, Kans.

[\*\*] Term: **14 Years**

[21] Appl. No.: **55,141**

[22] Filed: **May 29, 1996**

[51] LOC (6) Cl. .... **08-08**

[52] U.S. Cl. .... **D6/570**

[58] Field of Search ..... D6/512-514, 553,  
D6/567, 569, 570, 315, 320; 211/34, 35,  
13, 87, 119; 248/214

[56] **References Cited**

**U.S. PATENT DOCUMENTS**

D. 287,550	1/1987	Tocci	.....	D6/320
D. 354,412	1/1995	Emery	.....	D6/514 X
1,674,359	6/1928	Frey	.....	211/43
2,620,929	12/1952	Sportsman	.....	108/78
3,171,542	3/1965	Jacobs et al.	.....	211/43
3,391,793	7/1968	Streuli	.....	211/43
3,913,745	10/1975	Weiss	.....	211/119

3,999,734	12/1976	Gibson et al.	.....	248/460
4,245,746	1/1981	Aylor	.....	211/40
5,035,332	7/1991	Stravitz	.....	211/40
5,082,125	1/1992	Ninni	.....	211/184
5,172,816	12/1992	Kline et al.	.....	211/37

*Primary Examiner*—Brian N. Vinson  
*Attorney, Agent, or Firm*—Kokjer, Kircher, Bowman & Johnson

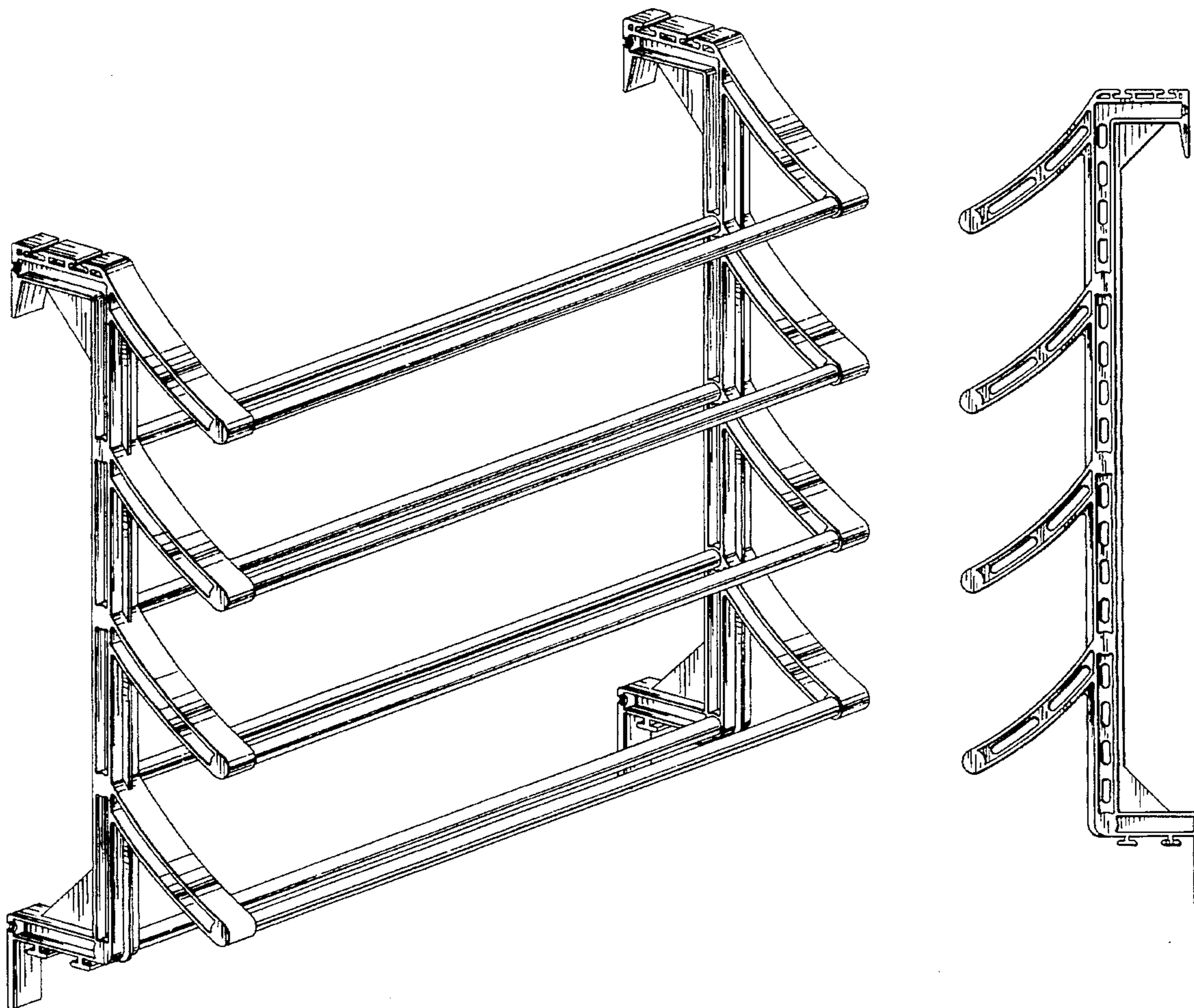
[57] **CLAIM**

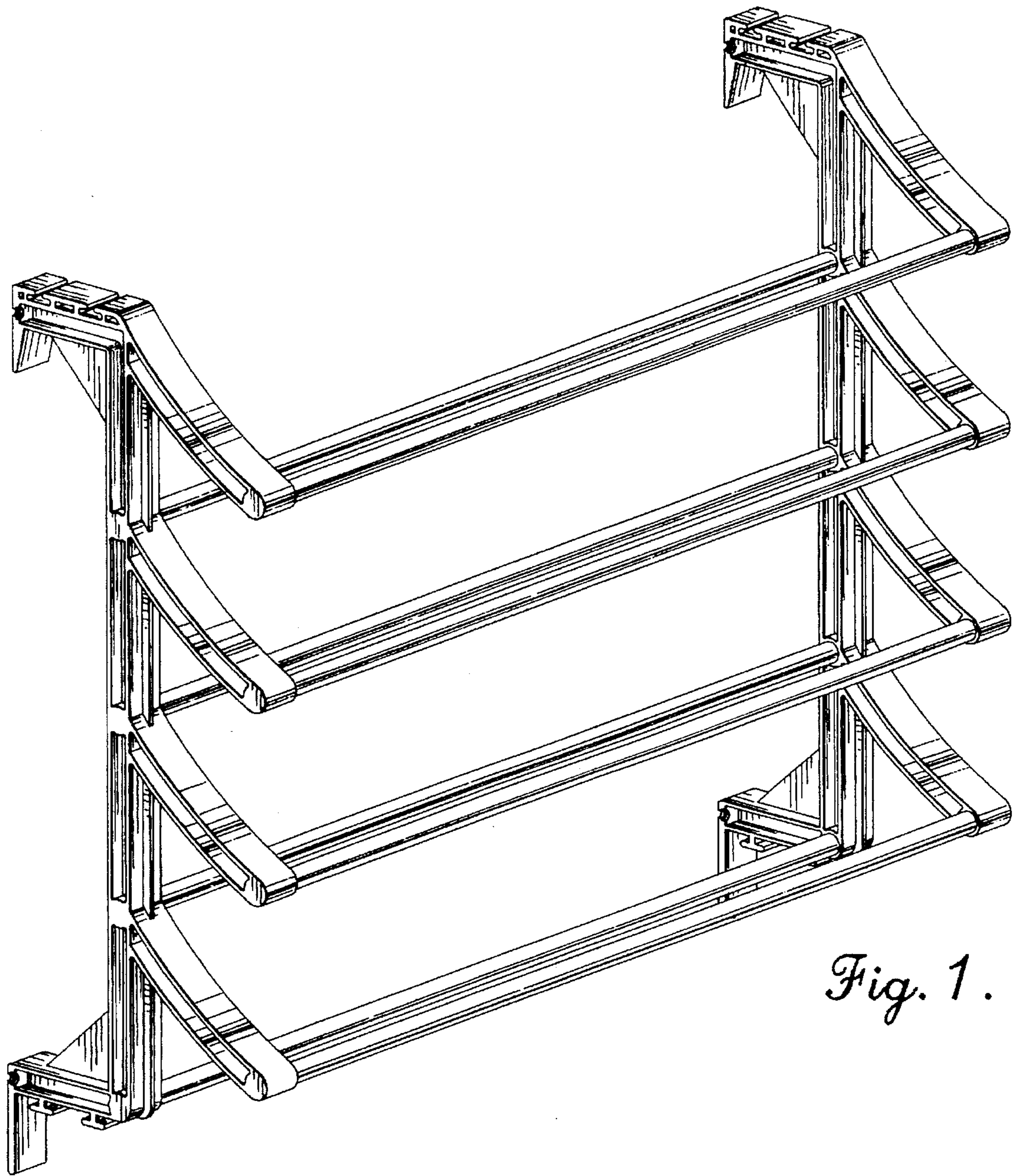
The ornamental design for a hanging shoe rack, as shown and described.

**DESCRIPTION**

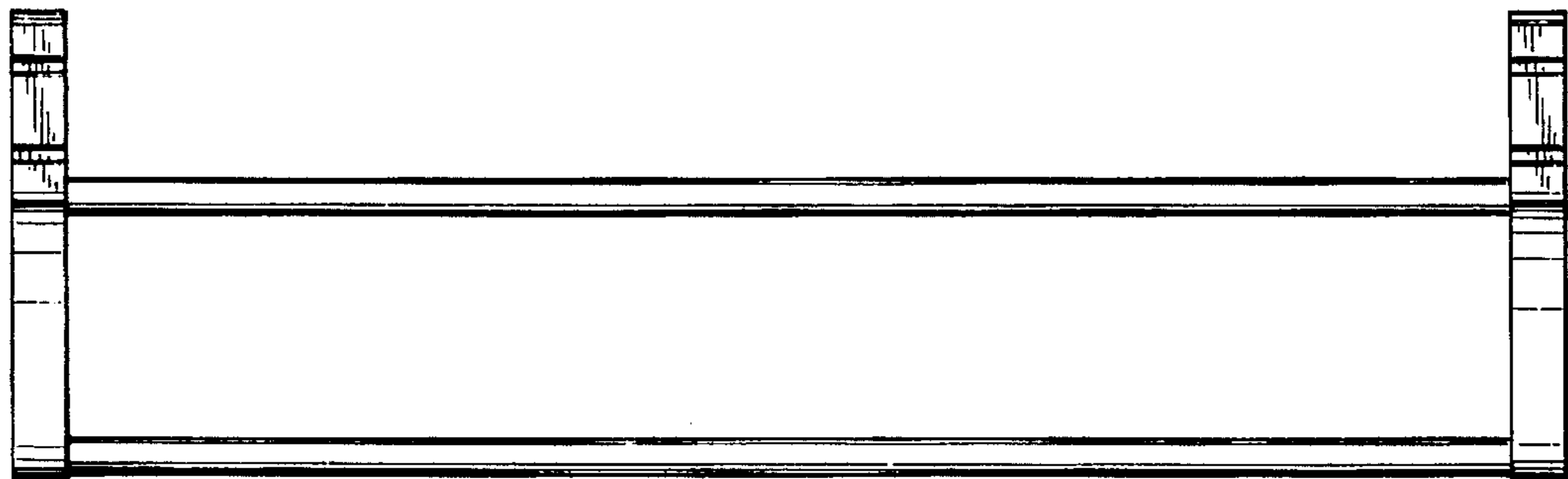
FIG. 1 is a top left perspective view of the hanging shoe rack of the present invention;  
FIG. 2 is a top plan view thereof;  
FIG. 3 is a front elevational view thereof;  
FIG. 4 is a right end view of the hanging shoe rack, with the left end being a mirror image thereof;  
FIG. 5 is a rear elevational view of the hanging shoe rack of the present invention; and,  
FIG. 6 is a bottom plan view of the hanging shoe rack as oriented in FIG. 3.

**1 Claim, 3 Drawing Sheets**

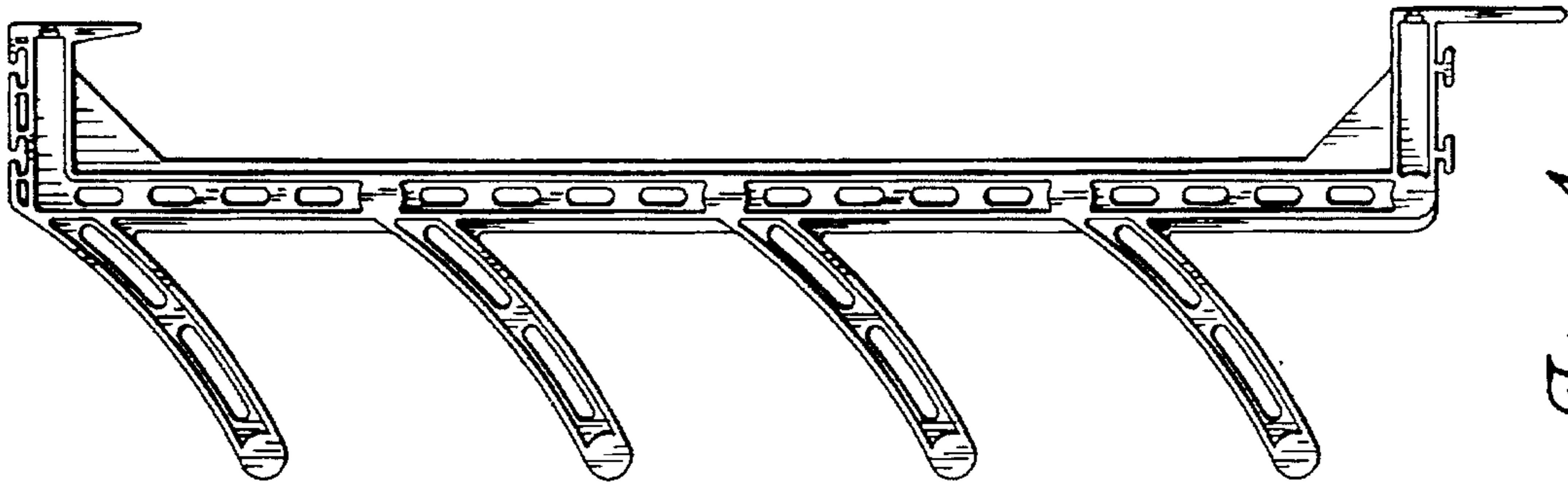




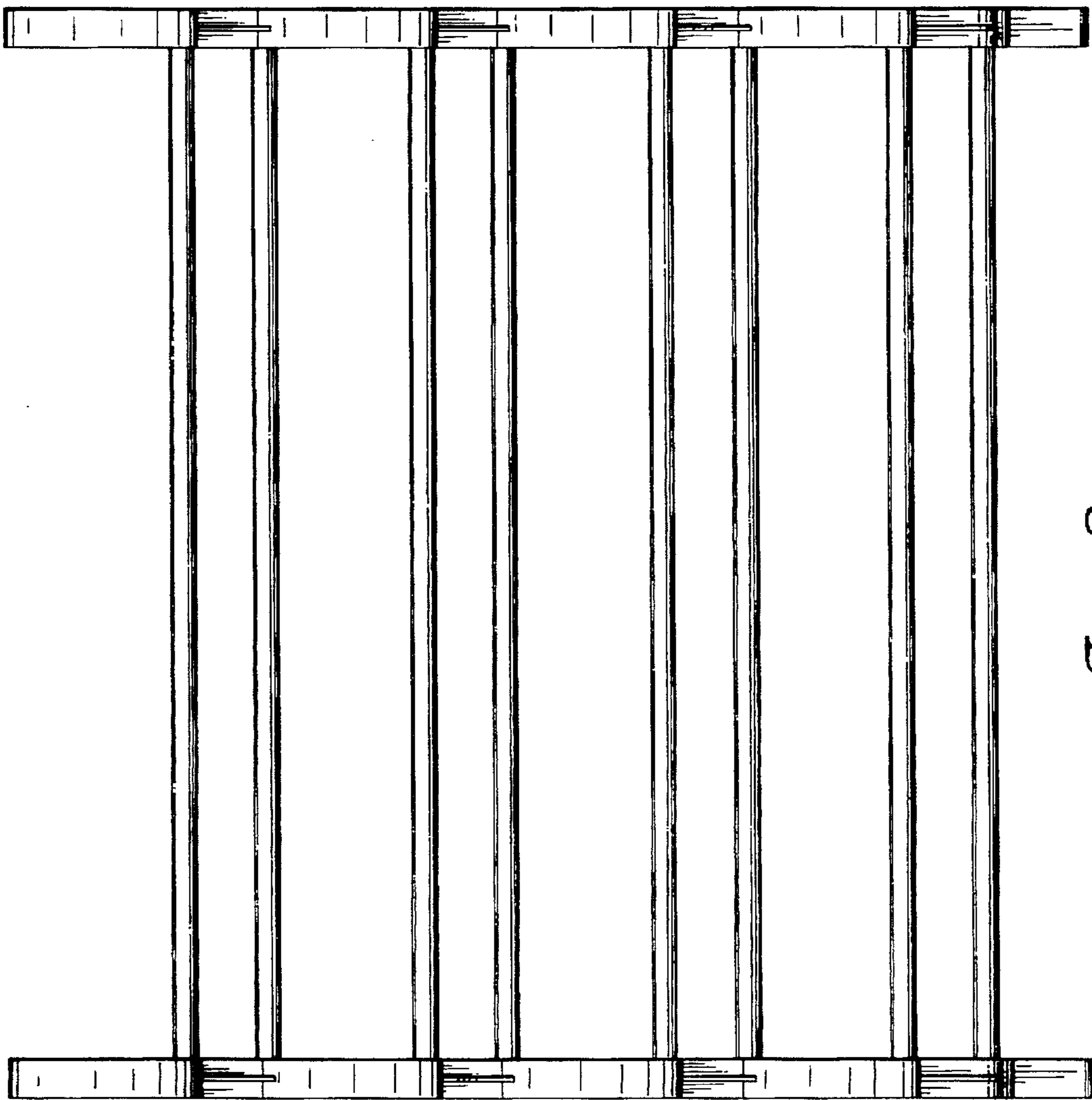
*Fig. 1.*



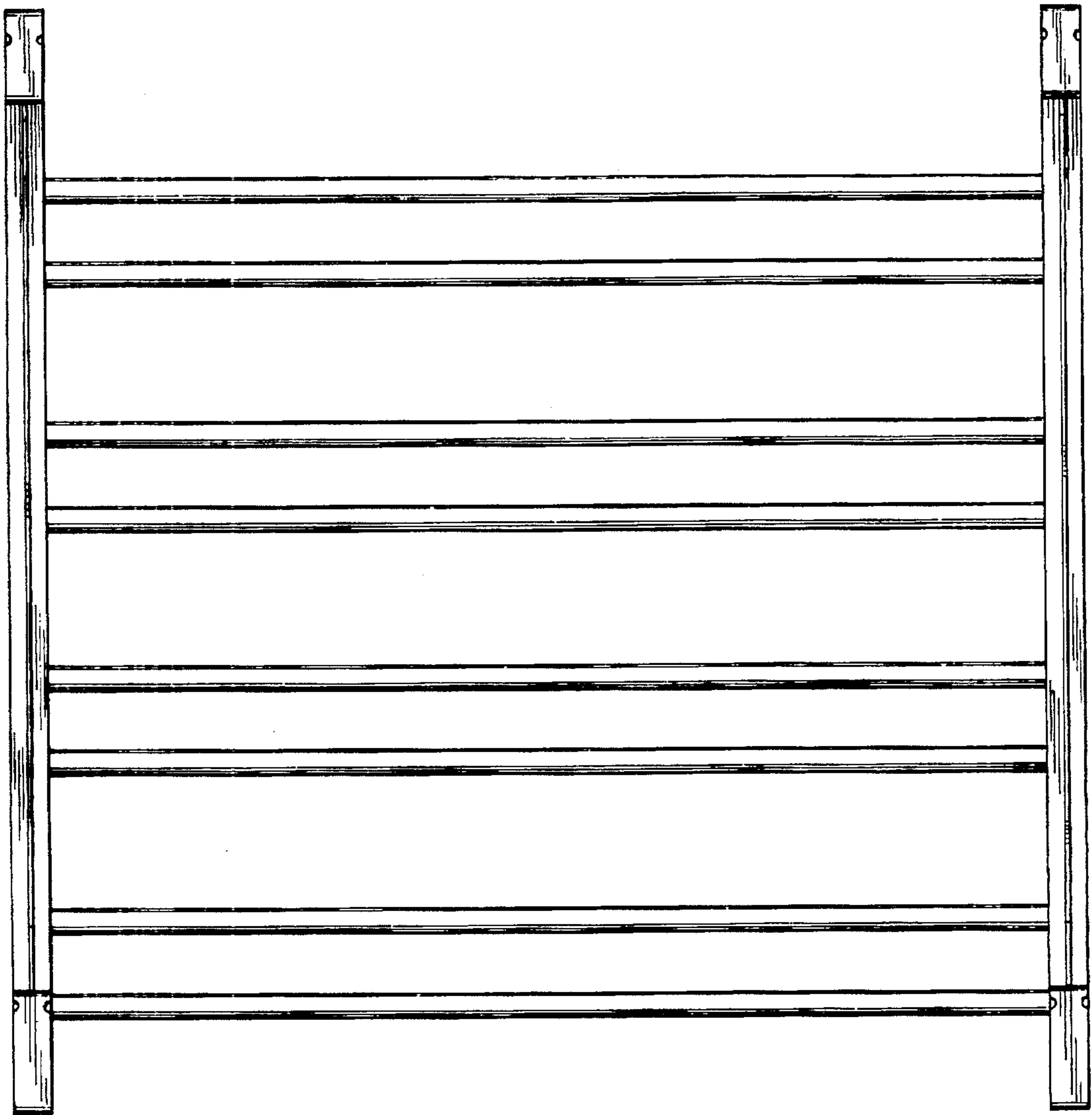
*Fig. 2.*



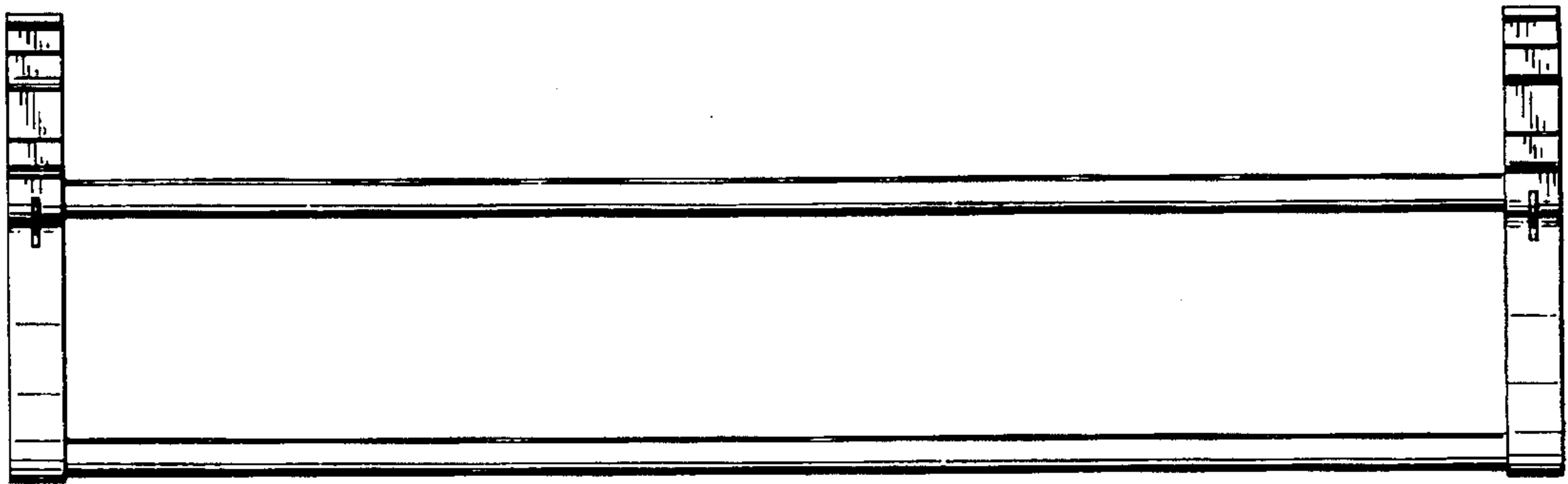
*Fig. 4.*



*Fig. 3.*



*Fig. 5.*



*Fig. 6.*