



US00D382432S

# United States Patent [19]

[11] Patent Number: **Des. 382,432**

**Perelli**

[45] Date of Patent: **\*\*Aug. 19, 1997**

[54] **WALL-MOUNTED BABY CHANGING TABLE**

[75] Inventor: **Thomas Perelli**, Winchester, Va.

[73] Assignee: **Rubbermaid Commercial Products Inc.**, Winchester, Va.

[\*\*] Term: **14 Years**

[21] Appl. No.: **50,675**

[22] Filed: **Feb. 22, 1996**

[51] LOC (6) Cl. .... **08-08**

[52] U.S. Cl. .... **D6/555**

[58] Field of Search ..... D6/553, 555, 559, D6/567, 574; 312/114, 126, 128-29, 204, 224, 231, 234, 242, 245; 211/13, 34-35, 65, 69.1, 70.6, 70.7

[56] **References Cited**

**U.S. PATENT DOCUMENTS**

D. 139,753	12/1944	Adams	.....	D80/5
D. 164,744	10/1951	Thomson	.....	D80/9
D. 174,785	5/1955	Tompkins, Jr.	.....	D33/3
D. 179,871	3/1957	Wrablica	.....	D33/19
D. 225,803	1/1973	Moore	.....	D6/130
D. 244,072	4/1977	Schaecher	.....	D6/128
D. 284,723	7/1986	Morris et al.	.....	D6/560
D. 287,800	1/1987	Lance	.....	D6/559
D. 302,088	7/1989	Burt	.....	D6/555
D. 314,112	1/1991	Dainty	.....	D6/555
D. 326,384	5/1992	Burt et al.	.....	D6/555
544,588	8/1895	Pattiani	.	
2,203,538	6/1940	Meilink	.....	311/19
2,735,737	2/1956	Hancock	.....	311/2
2,774,640	12/1956	Harmon et al.	.....	311/21
4,155,609	5/1979	Skafta et al.	.....	312/245
4,304,447	12/1981	Ellwood et al.	.....	312/204

**OTHER PUBLICATIONS**

Pp. 2 and 3; Wall-mounted baby changing tables; Safe-strap Company, Inc., 180 Old Tappan Road, Building 6, Old Tappan, New Jersey 07675. Published at least as early as Dec., 1995.

Installation instructions; Wall-mounted baby changing table; Koala corporation, 4390 McMenemy Street, St. Paul, Minnesota 55127-6004. Publication date 1994.

Sel sheet, Wall-mounted baby changing table; Brocar Products, Inc., P. O. Box 68024, Cinti, Ohio 45206. Published at least as early as 1994.

Sell sheet, Wall-mounted baby changing table; American Infant Care Products Inc., 21150 Excelsior Boulevard, Greenwood, Minnesota 55331. Published at least as early as 1995.

Sell sheet, Wall-mounted baby changing table; Four D, Inc., P. O. Box 24326, Apple Valley, Minnesota 55124. Published at least as early as 1994.

*Primary Examiner*—Brian N. Vinson

*Attorney, Agent, or Firm*—Richard B. O'Planick; Lisa B. Riedesel

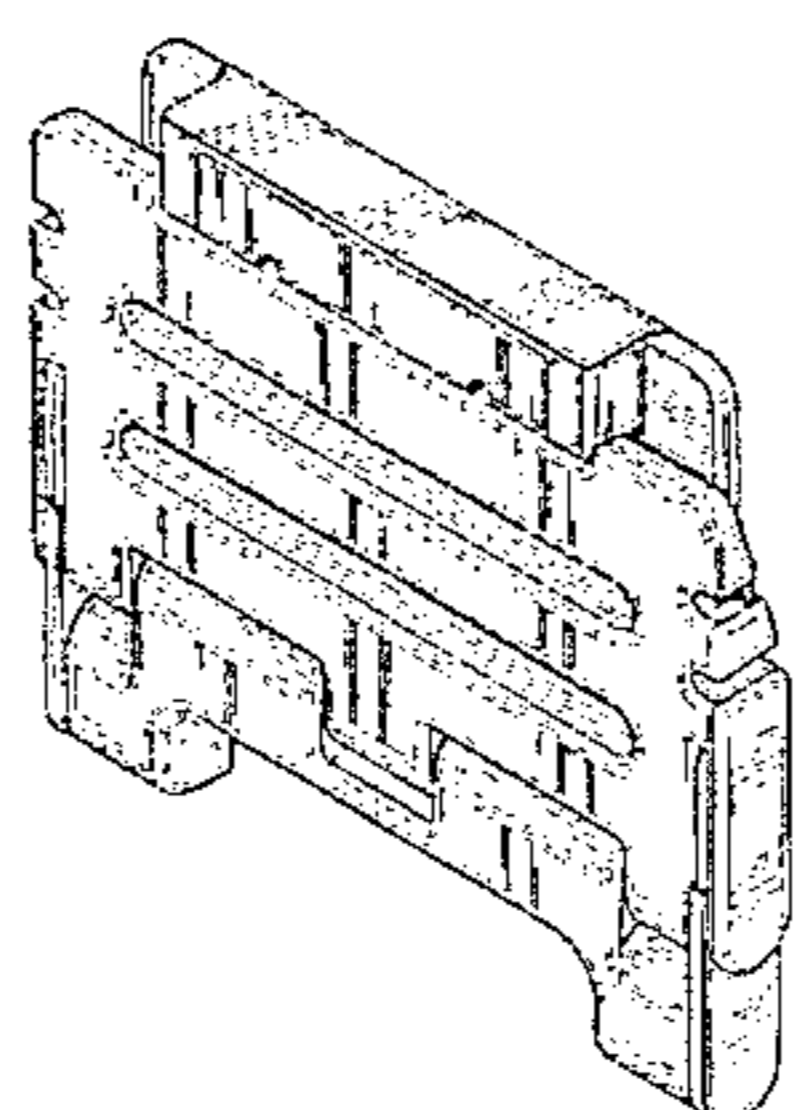
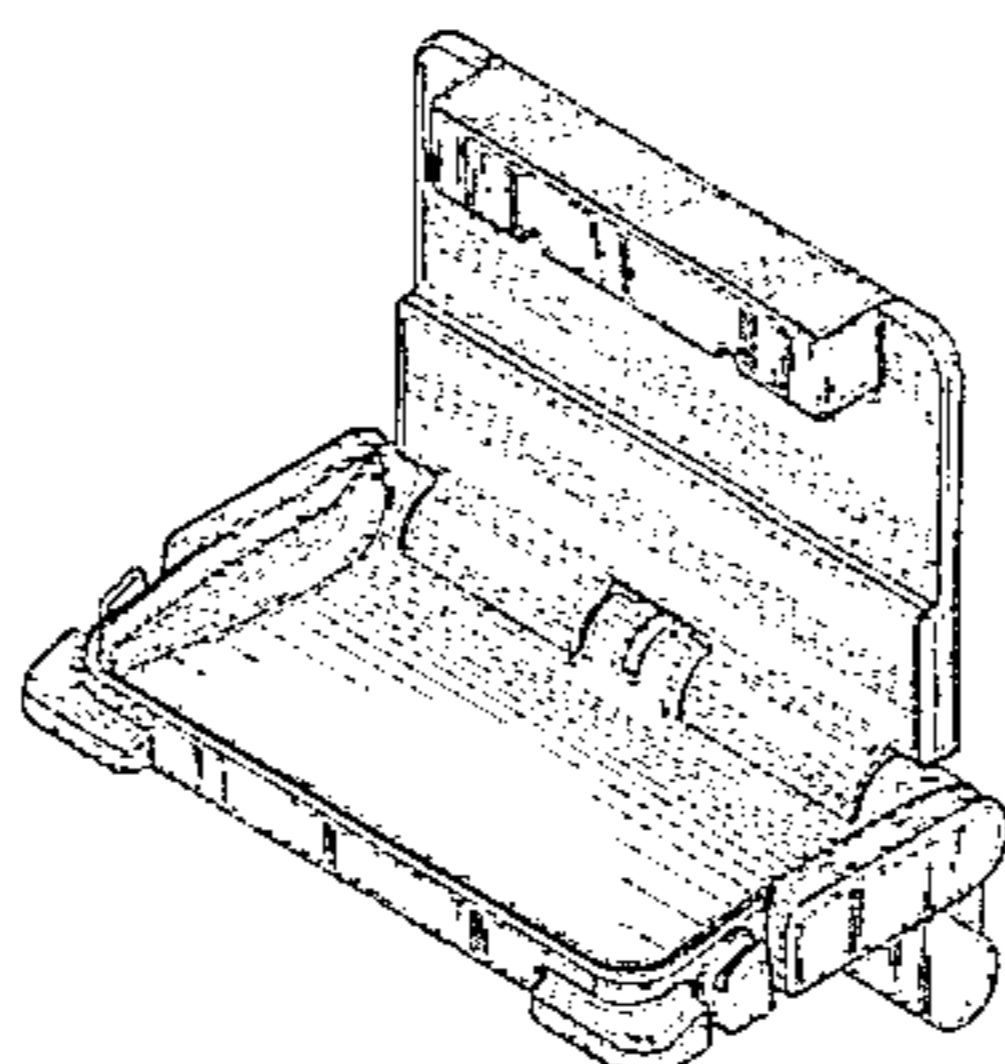
[57] **CLAIM**

The ornamental design for a wall-mounted baby changing table, as shown and described.

**DESCRIPTION**

FIG. 1 is a top, front, and right side perspective view of a wall-mounted baby changing table showing my new design; FIG. 2 is an enlarged top plan view thereof; FIG. 3 is an enlarged front elevational view thereof; FIG. 4 is an enlarged rear elevational view thereof; FIG. 5 is an enlarged right side elevational view thereof, the left side being a mirror image of that shown; FIG. 6 is a top, front, and right side perspective view thereof, shown in a fully closed position; FIG. 7 is an enlarged top plan view thereof, shown a fully closed position; FIG. 8 is an enlarged front elevational view thereof, shown in a fully closed position; FIG. 9 is an enlarged rear elevational view thereof, shown in a fully closed position; and, FIG. 10 is an enlarged right side elevational view thereof, shown in a fully closed position, the left side being a mirror image of that shown.

**1 Claim, 9 Drawing Sheets**



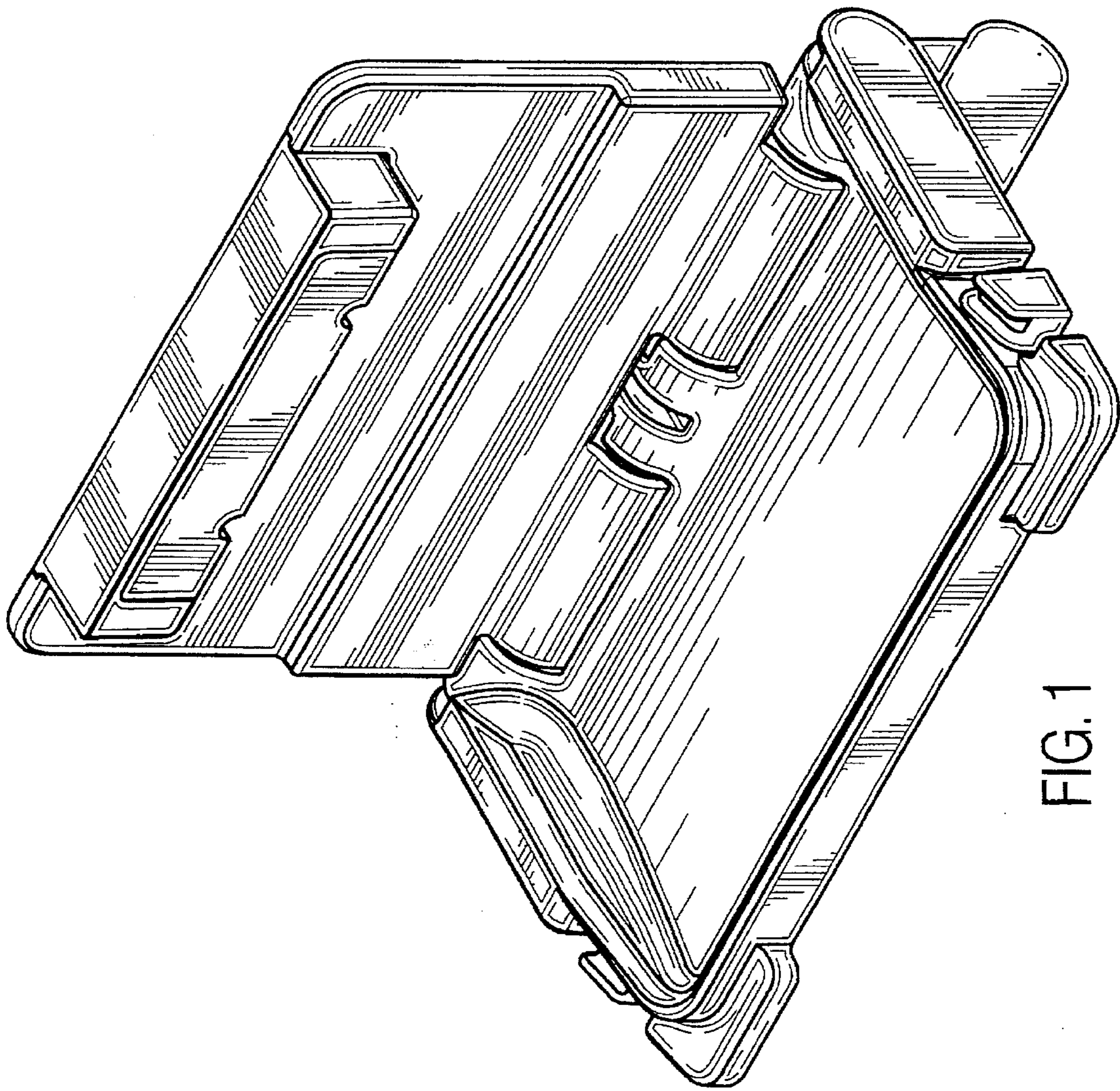


FIG. 1

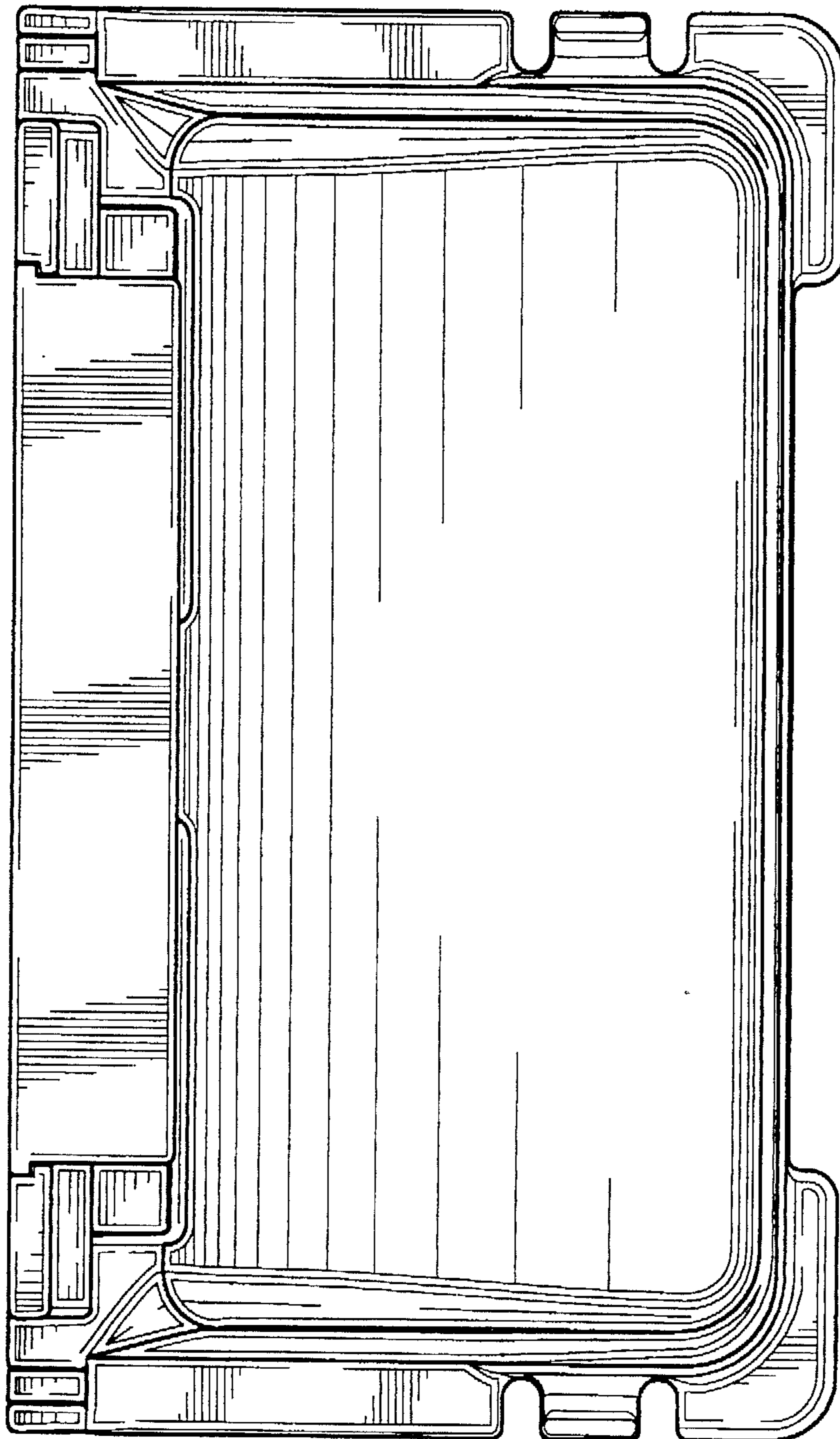


FIG. 2

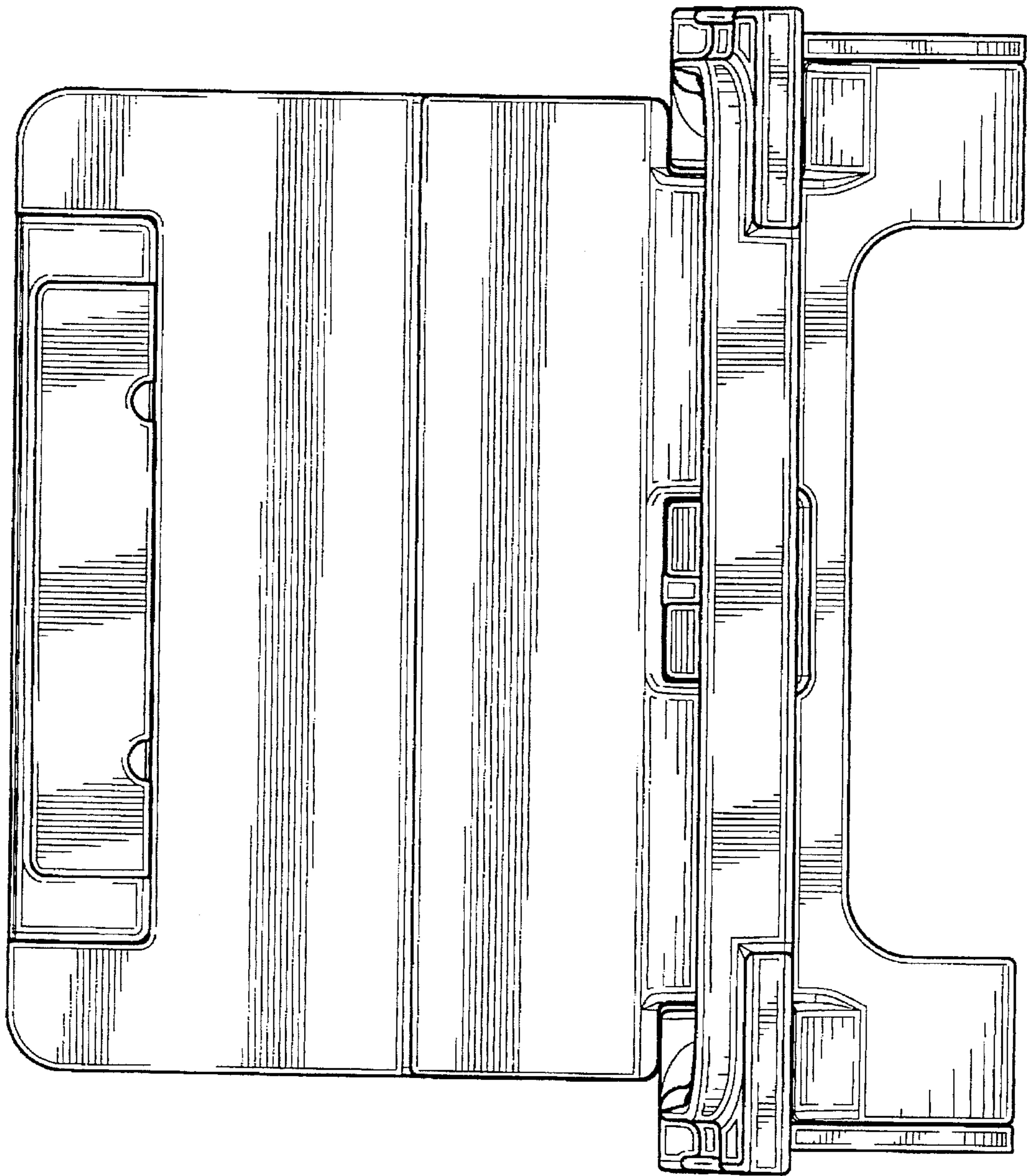


FIG. 3

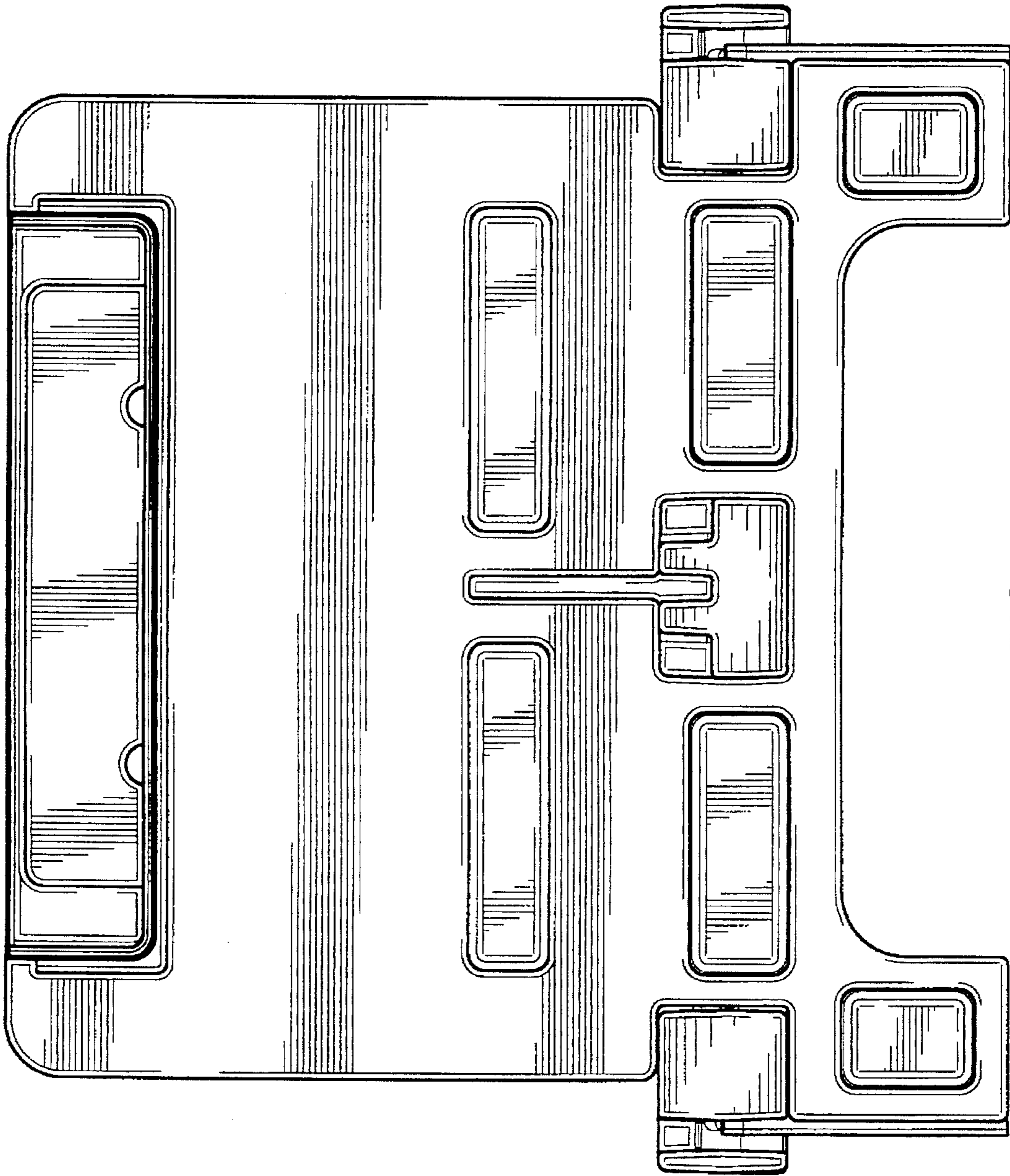


FIG. 4

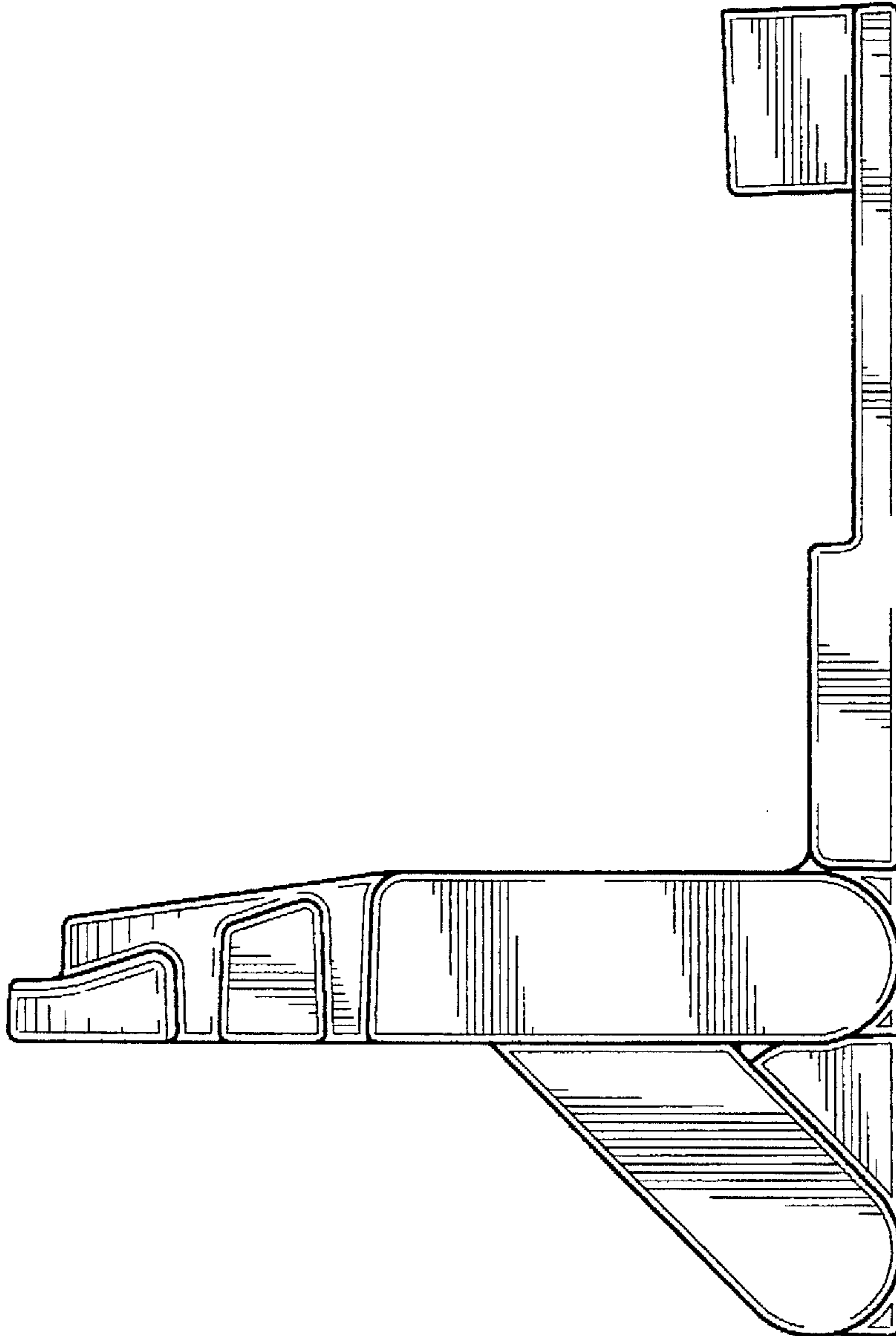


FIG. 5

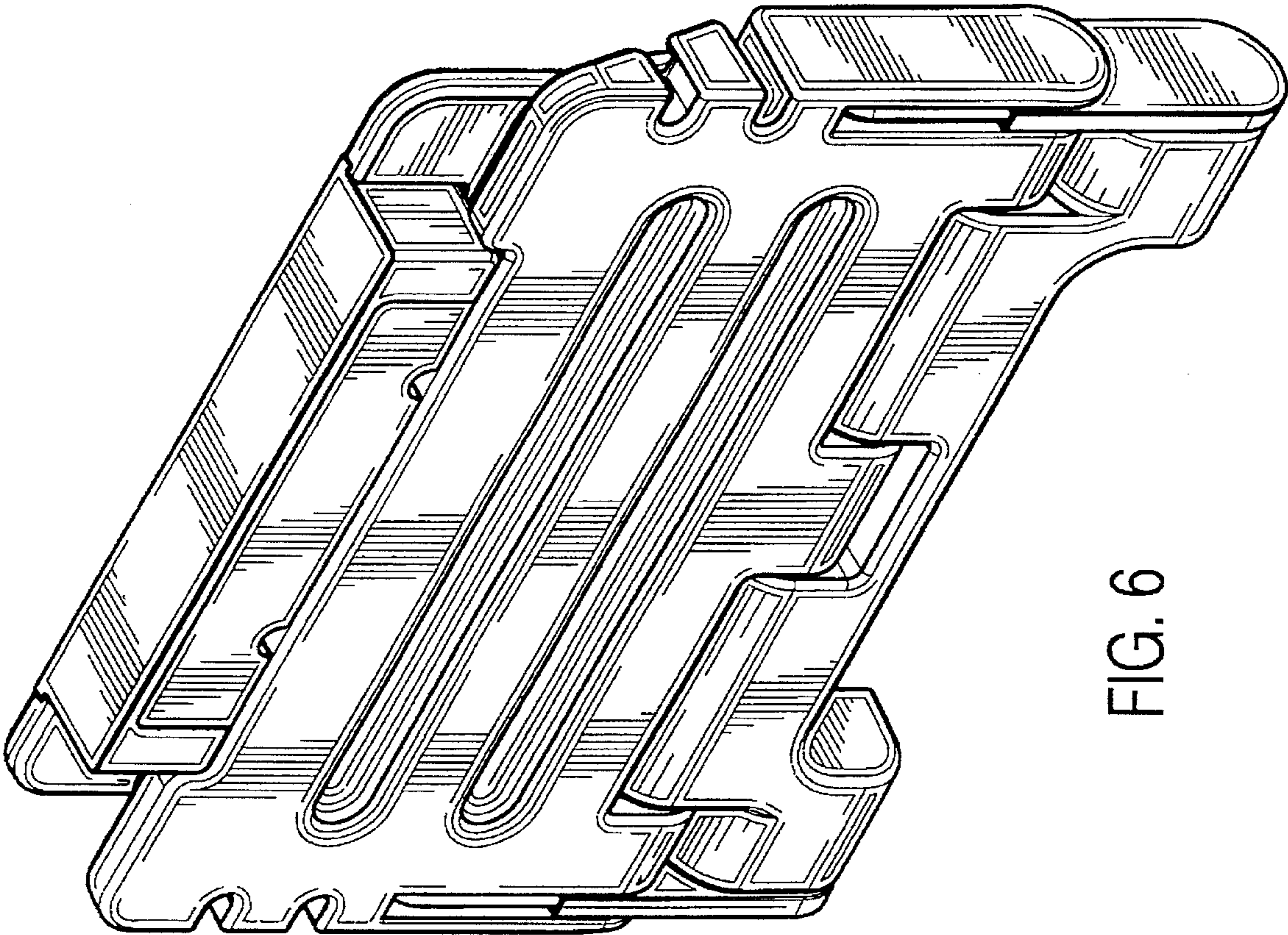


FIG. 6

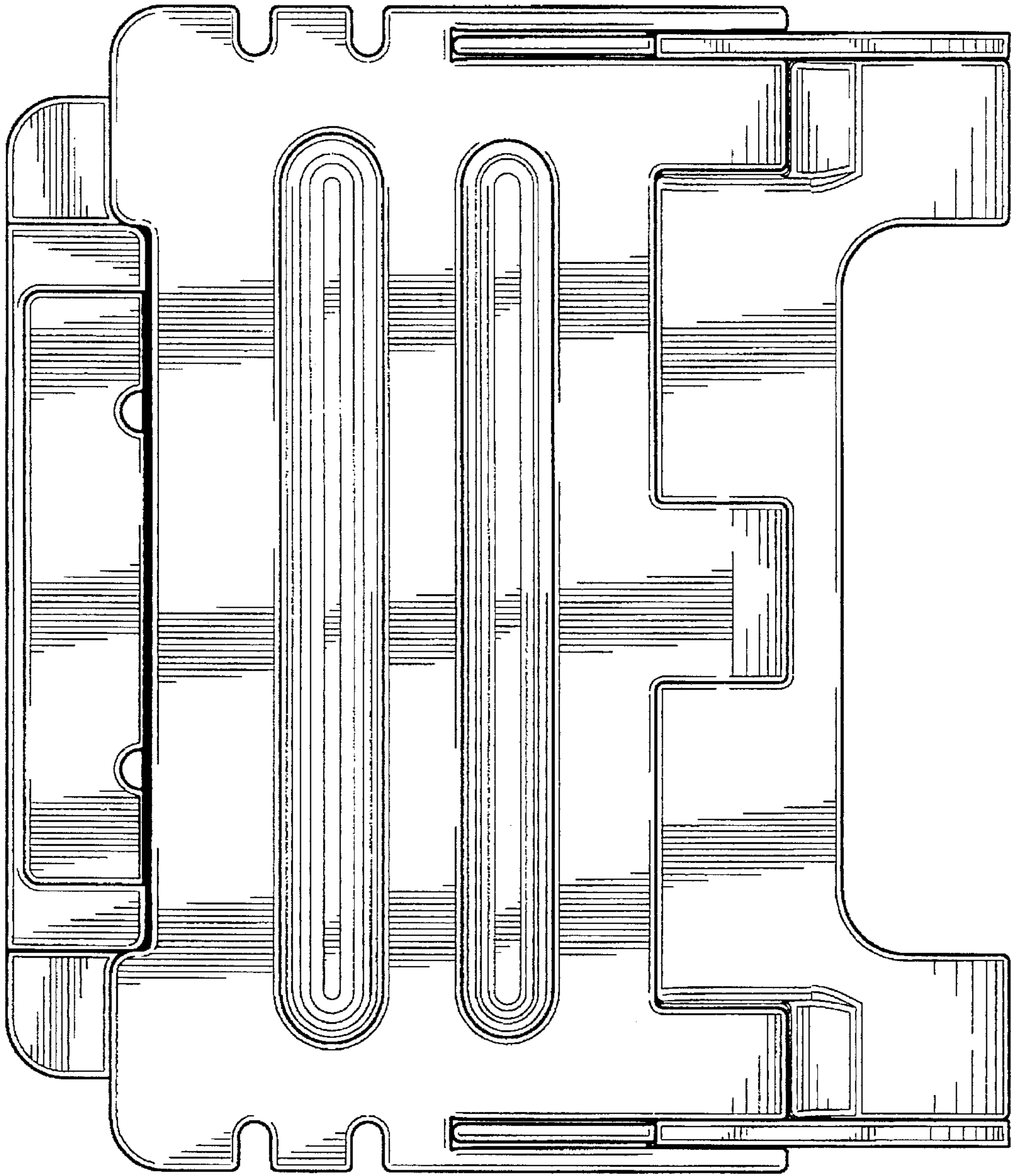


FIG. 7



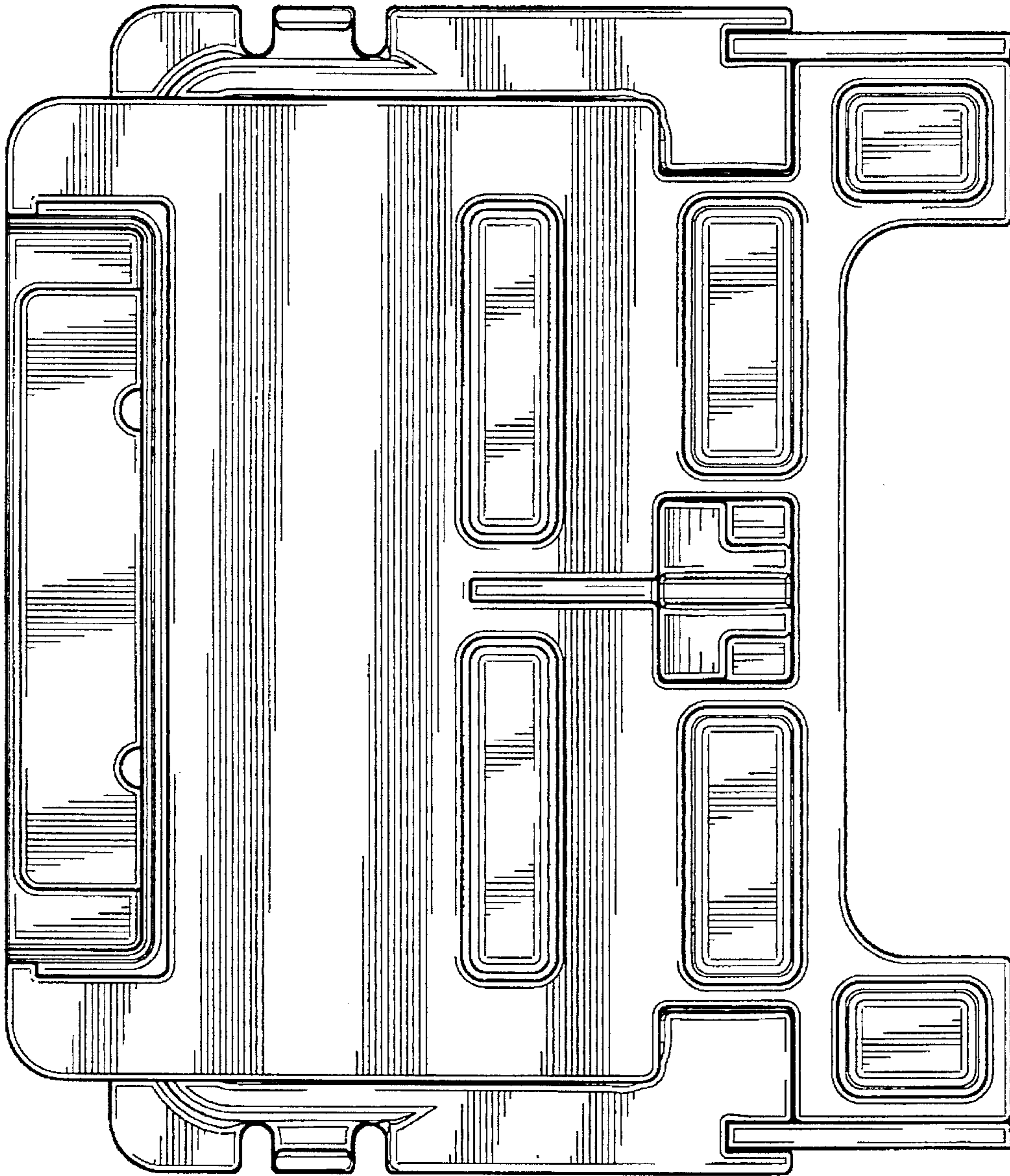


FIG. 8

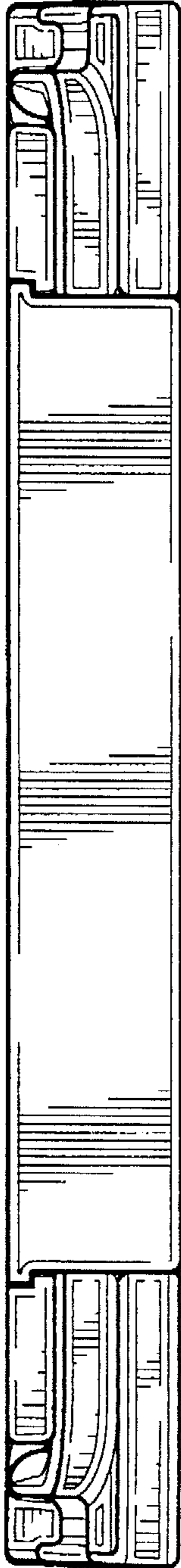


FIG. 9

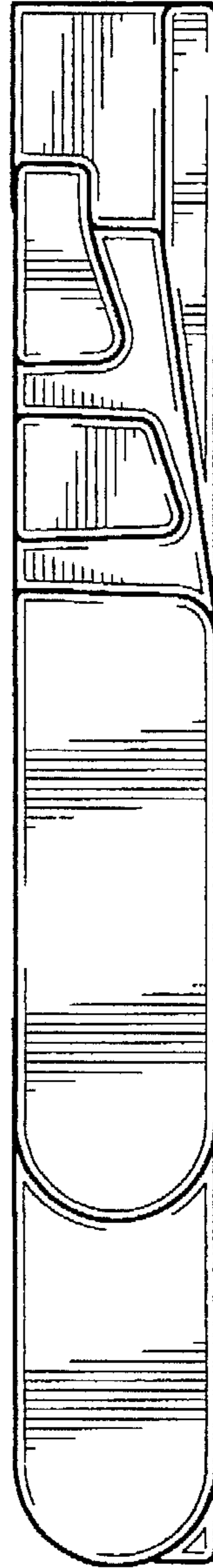


FIG. 10