



US00D382428S

United States Patent [19]

Meier et al.

[11] Patent Number: **Des. 382,428**

[45] Date of Patent: ****Aug. 19, 1997**

[54] **OVERBED TABLE SECONDARY TRAY GUIDE**

[75] Inventors: **Steven Meier**, Portage; **Jason Reichard**, Scotts, both of Mich.

[73] Assignee: **Stryker Corporation**, Kalamazoo, Mich.

[**] Term: **14 Years**

[21] Appl. No.: **43,542**

[22] Filed: **Sep. 6, 1995**

[51] LOC (6) Cl. **06-04**

[52] U.S. Cl. **D6/511**

[58] Field of Search D6/491, 406, 509-511, D6/474, 425, 429-431; D14/114; 108/78, 102, 137; 312/334.1, 334.5, 334.11, 334.34, 334.38, 334.23, 334.32, 330.1; 211/134, 150

[56] **References Cited**

U.S. PATENT DOCUMENTS

D. 225,603	12/1972	Jones	D6/510
D. 263,914	4/1982	Litchfield et al.	D6/510
D. 278,011	3/1985	Spitz	D6/510 X
D. 307,598	5/1990	Judd et al.	D6/474 X
D. 344,652	3/1994	Hatcher	D6/511
4,473,262	9/1984	Staye	312/330.1 X
4,606,279	8/1986	Tucker et al.	108/78

4,632,451	12/1986	Lee	108/137 X
4,792,195	12/1988	Adriaansen et al.	312/330.1 X
5,035,464	7/1991	Spallholtz	D6/511 X
5,387,033	2/1995	Domenig	312/334.5
5,466,060	11/1995	Hoffman	312/334.5 X
5,577,821	11/1996	Chu	312/334.1

FOREIGN PATENT DOCUMENTS

404096711A	3/1992	Japan	312/334.1 X
------------	--------	-------	-------	-------------

Primary Examiner—Jeffrey Asch
Attorney, Agent, or Firm—Flynn, Thiel, Boutell & Tanis, P.C.

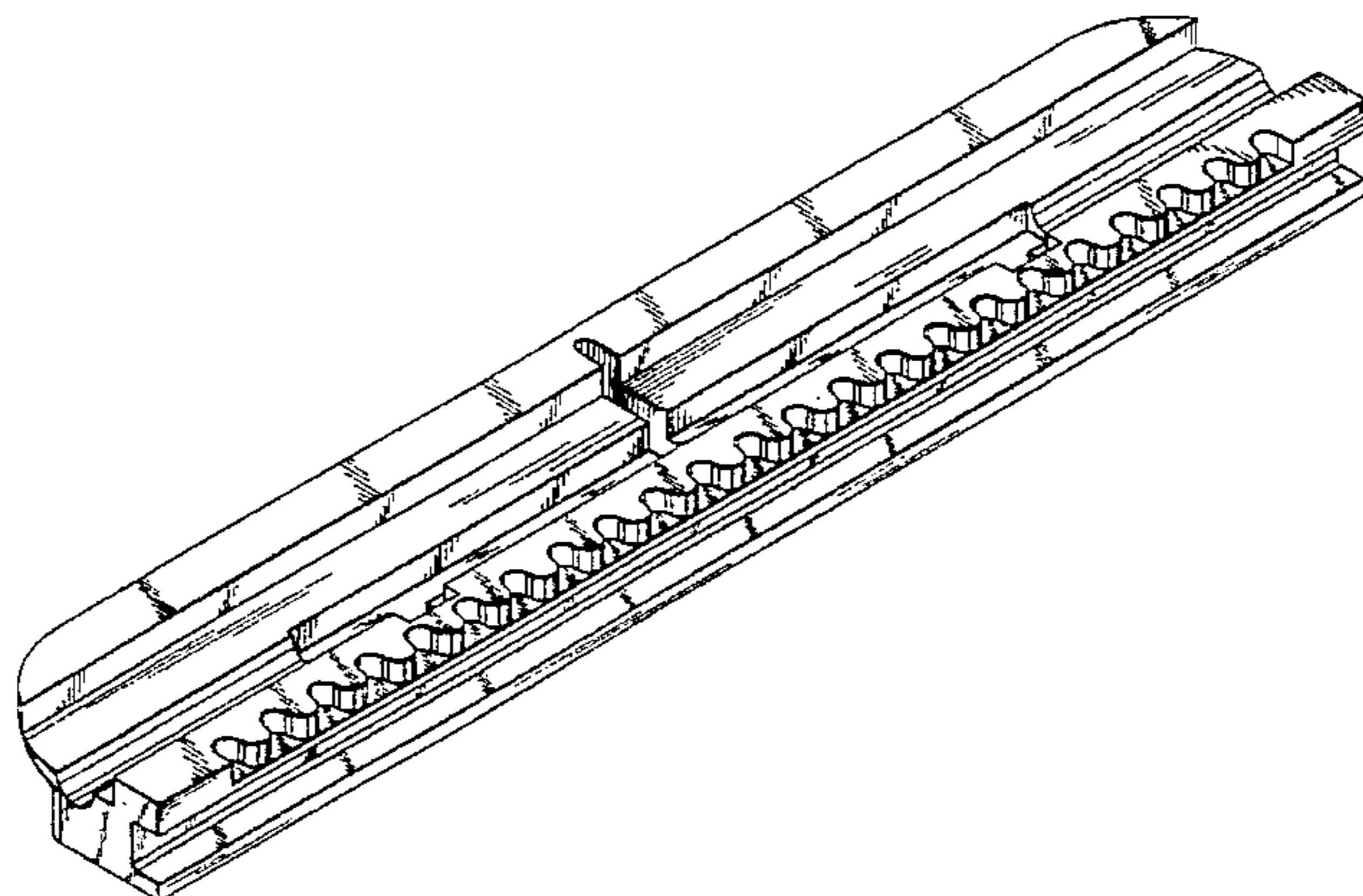
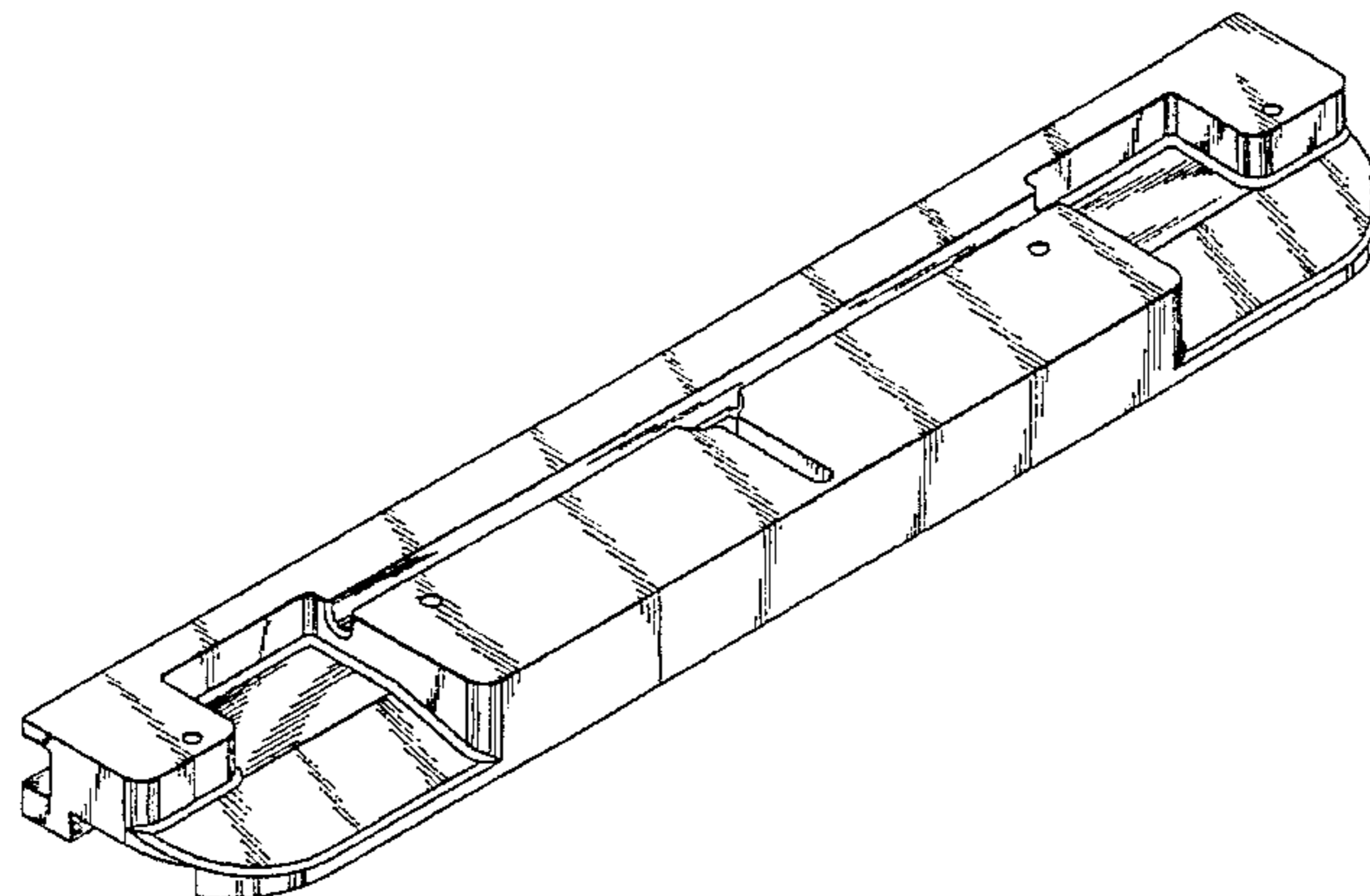
[57] **CLAIM**

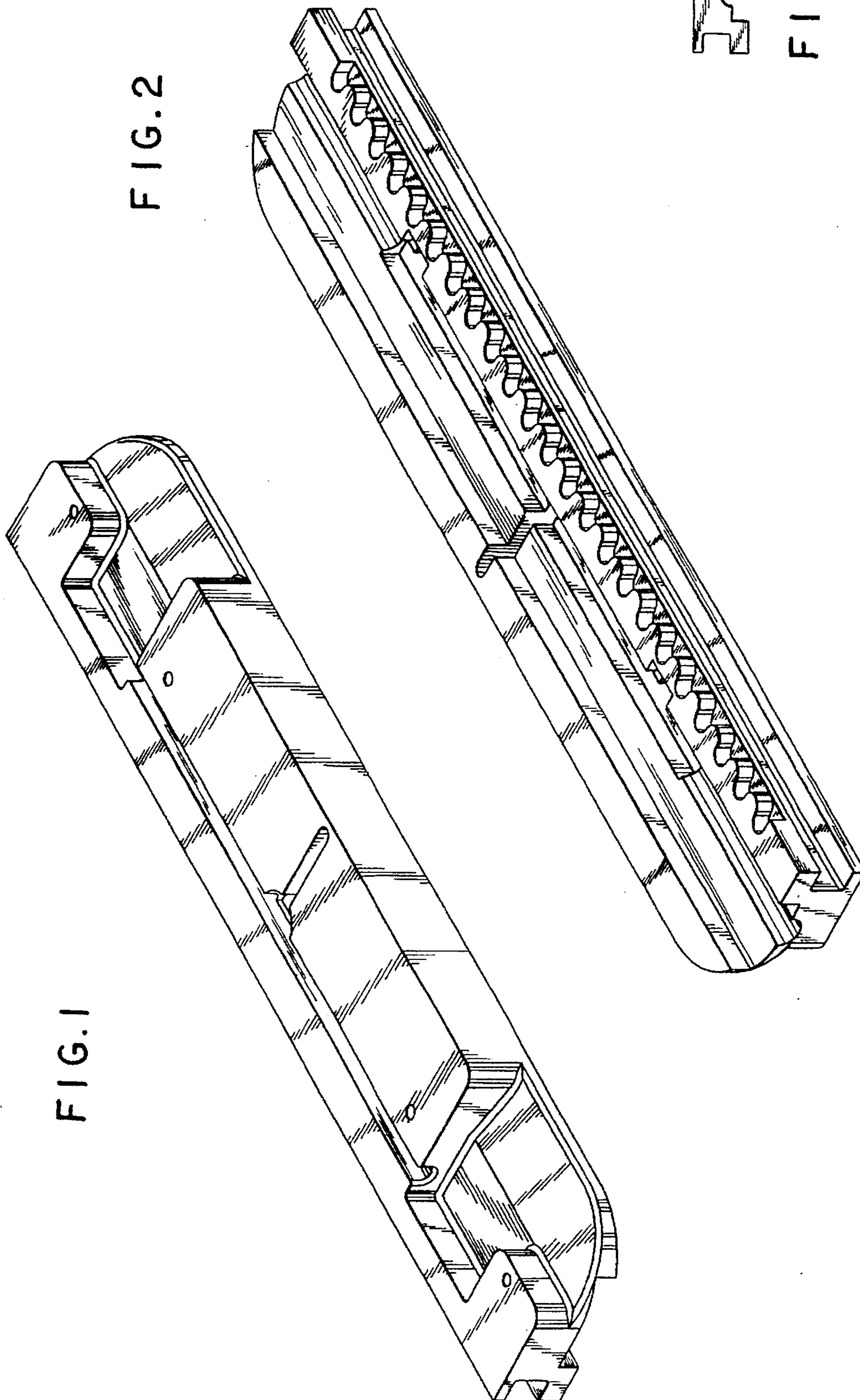
The ornamental design for an overbed table secondary tray guide, as shown and described.

DESCRIPTION

FIG. 1 is a top and right front isometric view of an overbed table secondary tray guide showing our new design; FIG. 2 is a bottom and left front isometric view of an overbed table secondary tray guide showing our new design; FIG. 3 is a top plan view thereof; FIG. 4 is a front view thereof, the rear view thereof being identical thereto; FIG. 5 is a left side view thereof; FIG. 6 is a right side view thereof; and, FIG. 7 is a bottom plan view thereof.

1 Claim, 2 Drawing Sheets





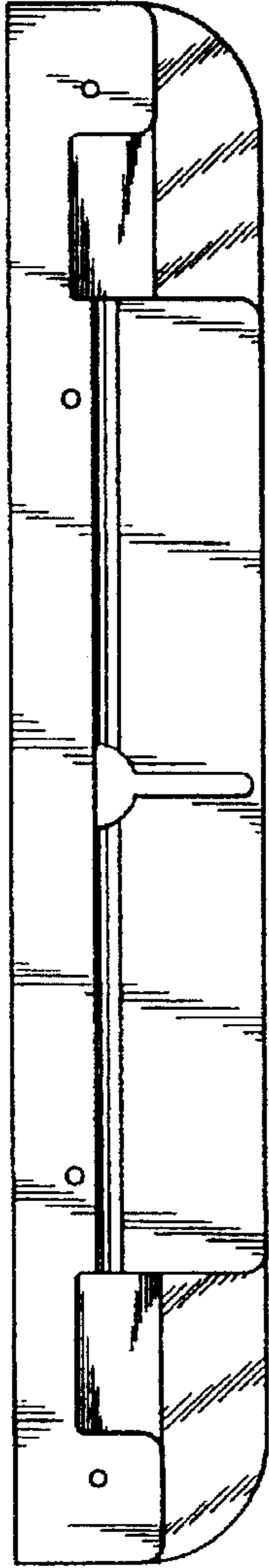


FIG. 3



FIG. 5

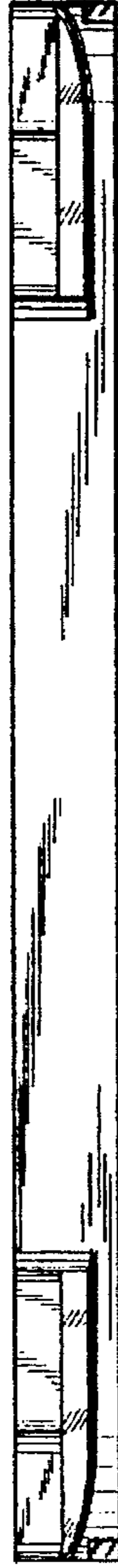


FIG. 6

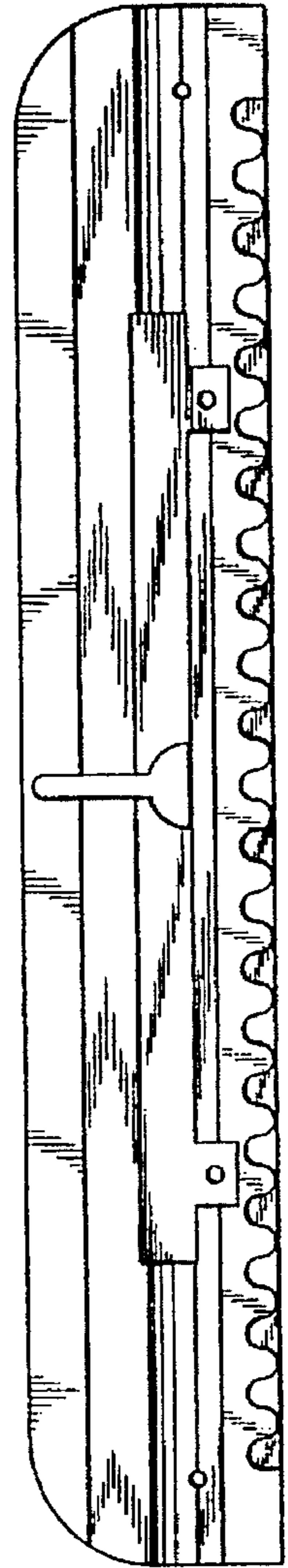


FIG. 7