



US00D382420S

United States Patent [19]

Woodward

[11] Patent Number: **Des. 382,420**

[45] Date of Patent: ****Aug. 19, 1997**

[54] **SQUARE ROTATING DISPLAY RACK**

[76] Inventor: **Richard Woodward**, 4544 6th Ave., St. Augustine, Fla. 32095

[**] Term: **14 Years**

[21] Appl. No.: **53,812**

[22] Filed: **May 7, 1996**

[51] LOC (6) Cl. **20-02**

[52] U.S. Cl. **D6/457; D6/461; D6/468; D6/469**

[58] Field of Search D6/455, 457, 458, D6/411, 461, 467, 413, 415, 465, 468, 469; 312/114, 125, 128, 135, 283, 249.2, 249.8, 305; 211/53, 13, 57.1, 163, 181, 44, 58, 78, 205, 49.1, 60.1, 70; 108/103; 248/188.1, 220.31; D34/12, 14

[56] **References Cited**

U.S. PATENT DOCUMENTS

D. 262,754 1/1982 Merl D6/457

D. 314,292	2/1991	Nyman	D6/457
D. 328,534	8/1992	McClave	D6/457
3,333,709	8/1967	LeBlanc et al.	211/13
4,126,366	11/1978	Handler et al.	312/249.2
4,211,331	7/1980	Salmon et al.	211/13
5,064,077	11/1991	Mitchell	211/13 X

Primary Examiner—James Gandy
Assistant Examiner—Linda Brooks
Attorney, Agent, or Firm—Thomas C. Saitta

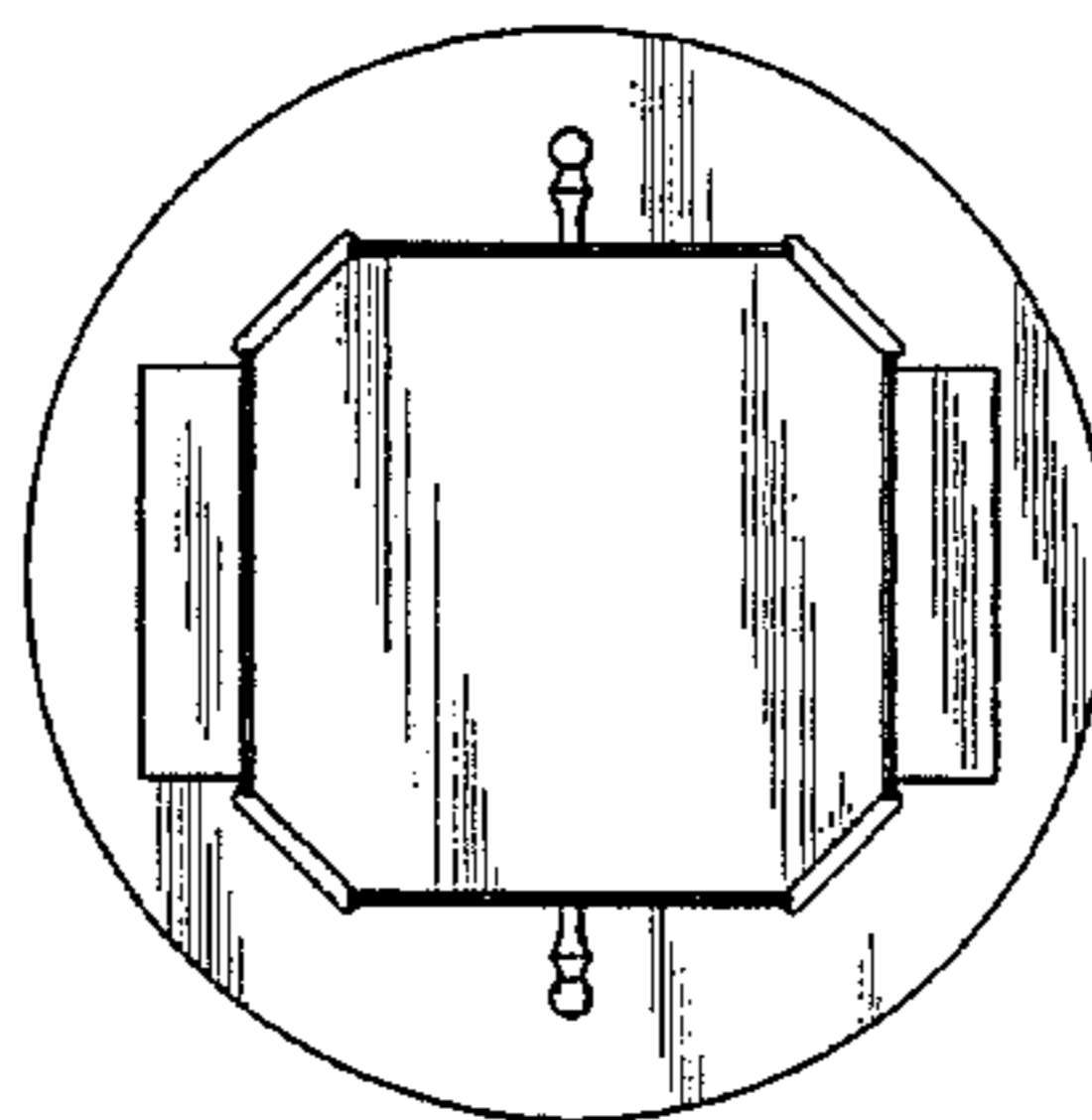
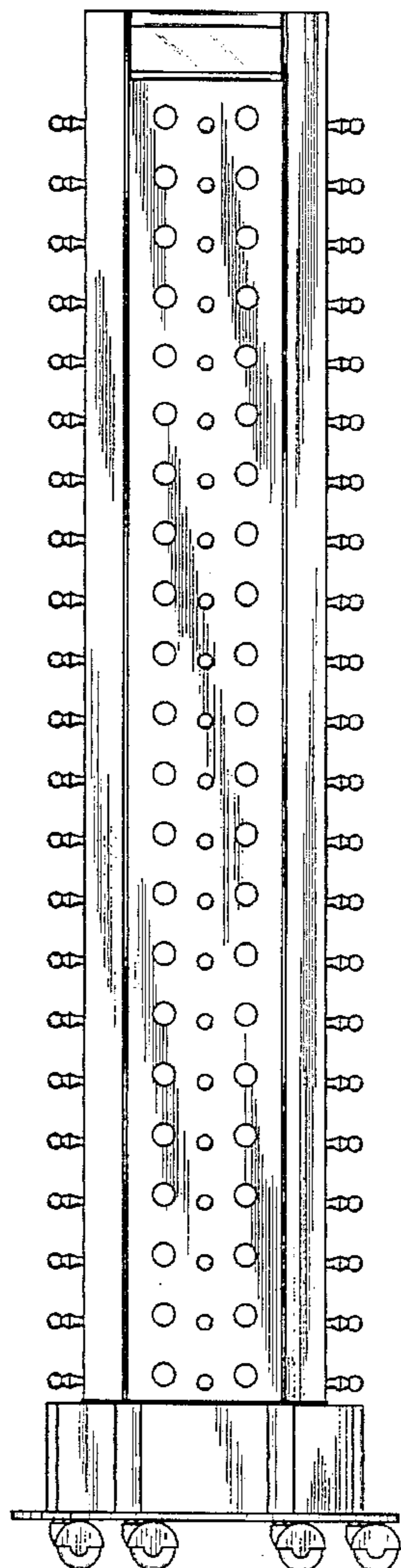
[57] **CLAIM**

The ornamental design for a square rotating display rack, as shown.

DESCRIPTION

FIG. 1 is a right view of the design;
FIG. 2 is a left view;
FIG. 3 is a front view;
FIG. 4 is a rear view;
FIG. 5 is a top view; and,
FIG. 6 is a bottom view.

1 Claim, 3 Drawing Sheets



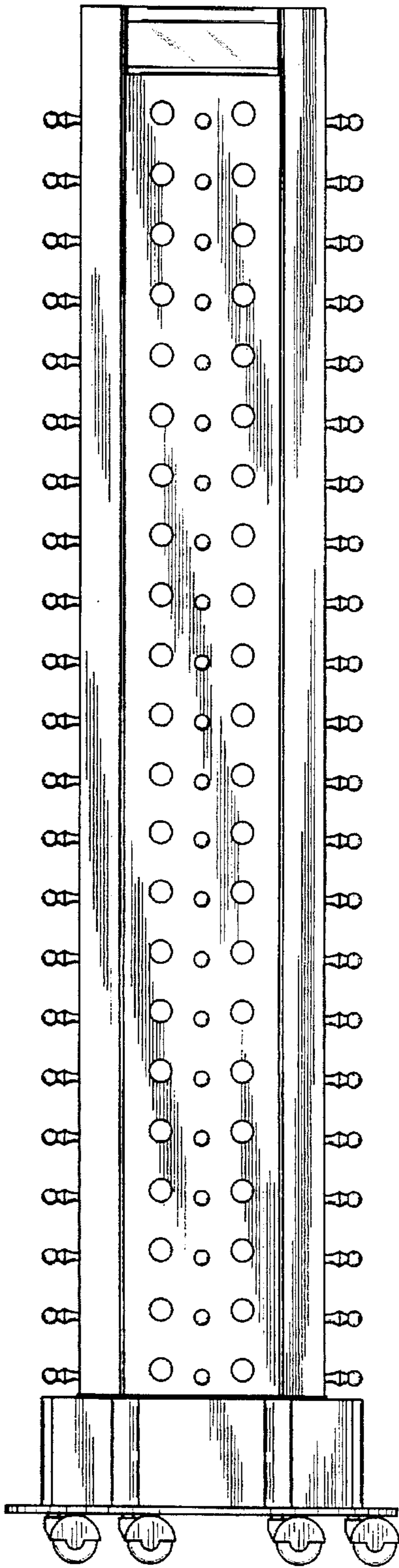


FIG. 1

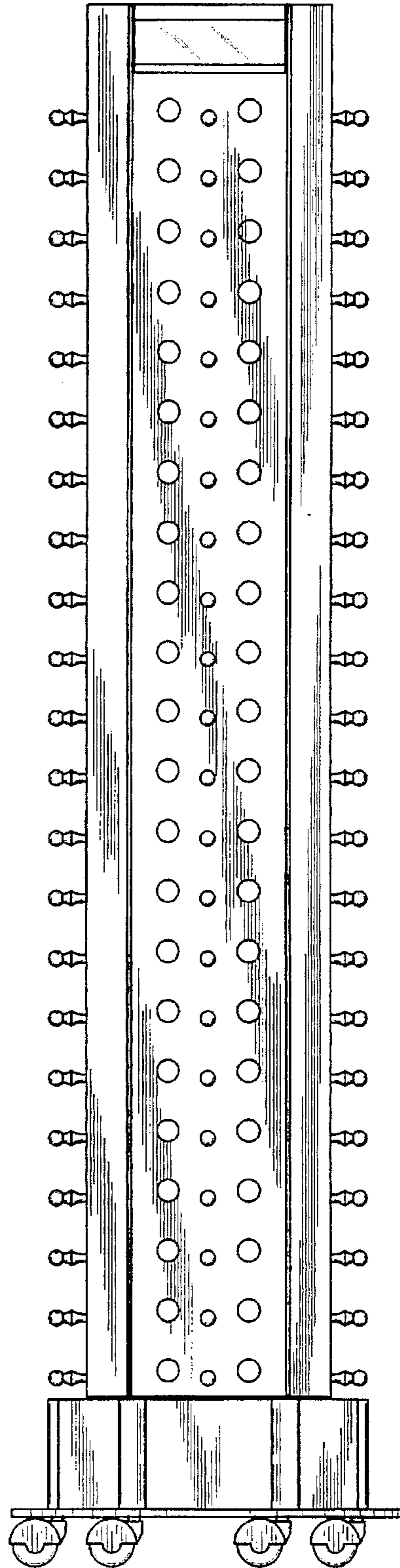


FIG. 2

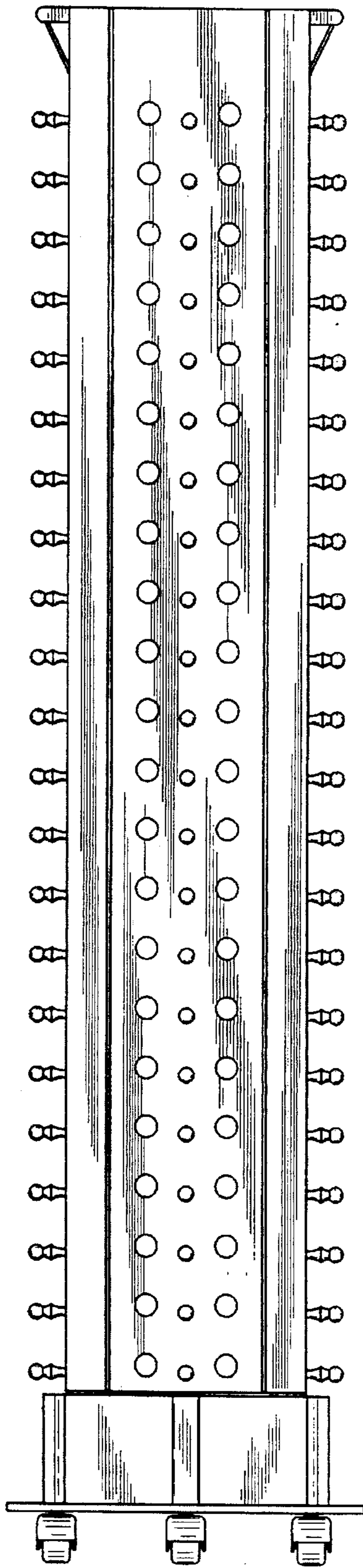


FIG. 3

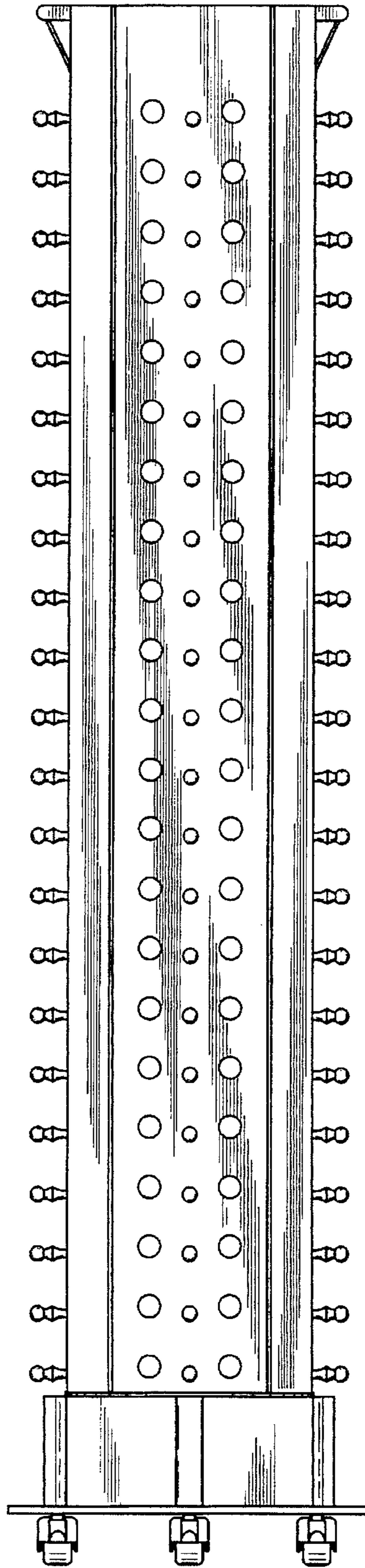


FIG. 4

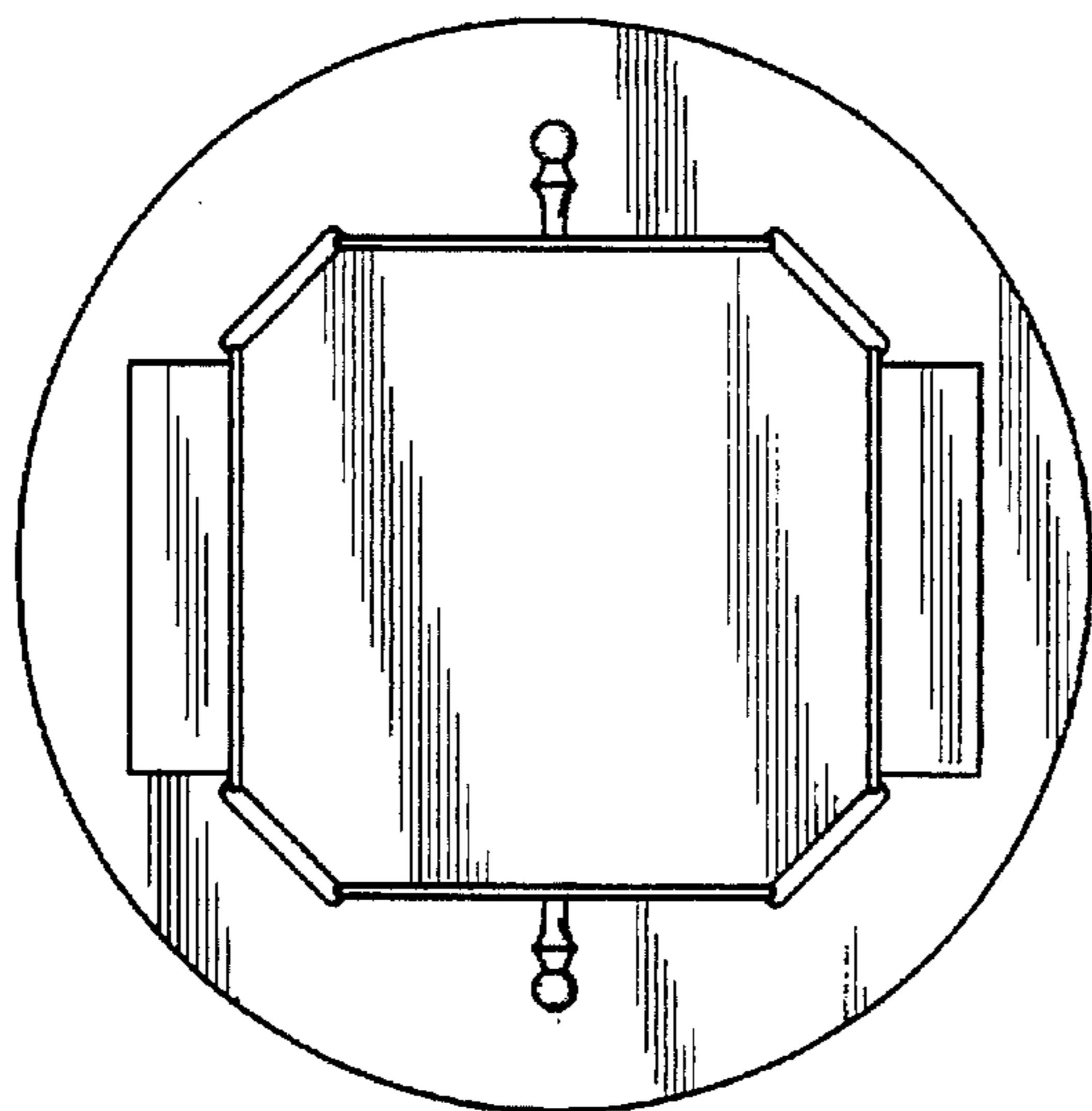


FIG. 5

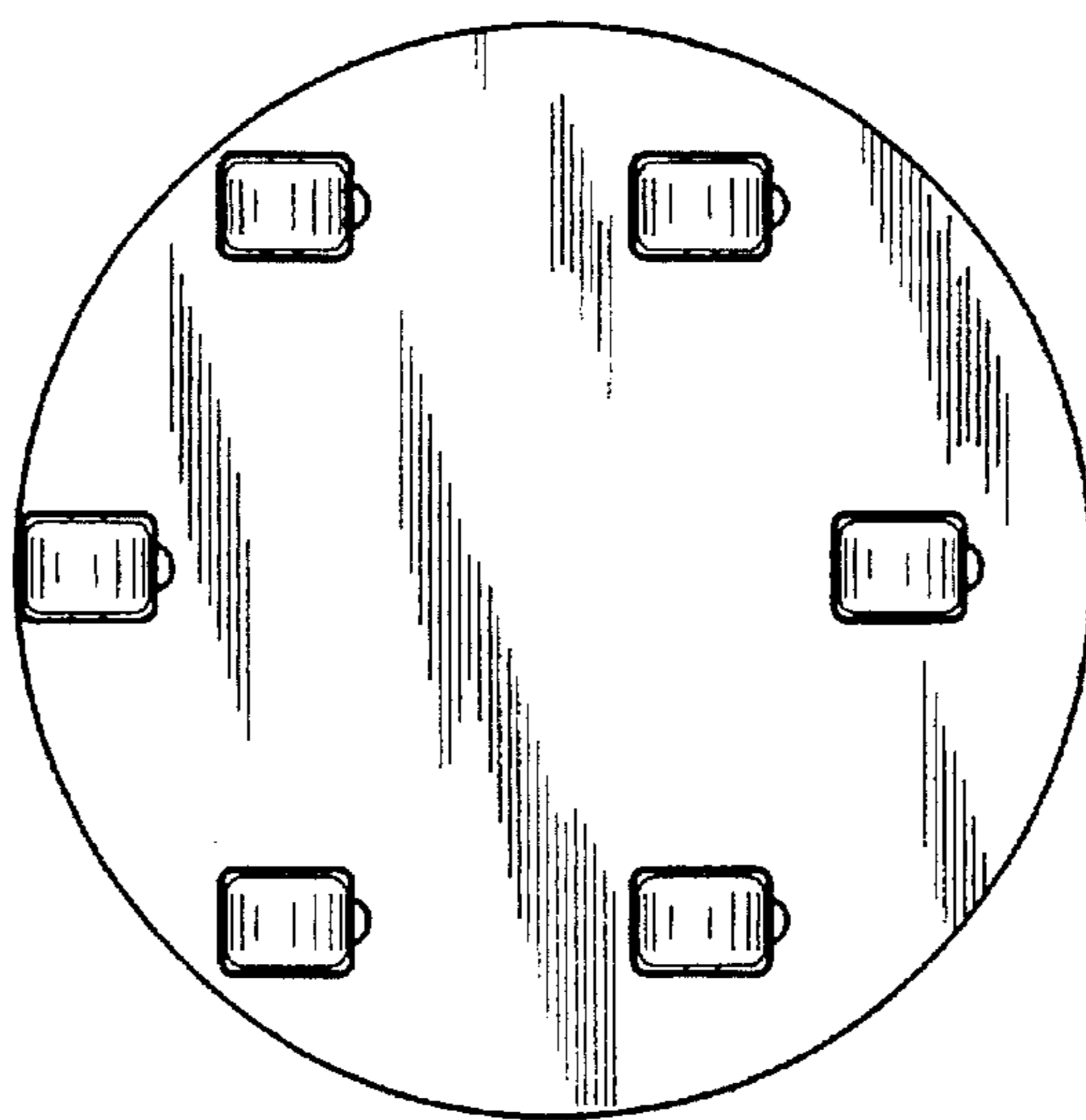


FIG. 6