



US00D382413S

United States Patent [19]

[11] Patent Number: **Des. 382,413**

Lundberg

[45] Date of Patent: ****Aug. 19, 1997**

[54] **LOUNGE CHAIR**

Attorney, Agent, or Firm—Anderson Kill & Olick P.C.

[76] Inventor: **Richard Lundberg**, 2171 Bragg St., #6H, Brooklyn, N.Y. 11229

[57] **CLAIM**

[**] Term: **14 Years**

The ornamental design for a lounge chair, as shown and described.

[21] Appl. No.: **50,783**

DESCRIPTION

[22] Filed: **Feb. 16, 1996**

FIG. 1 is a front perspective view of a lounge chair with the head and leg flaps folded slightly upwards;

[51] LOC (6) Cl. **06-01**

FIG. 2 is a front perspective view at an increased scale of the lounge chair with the head and leg flaps folded out in a "flat" position;

[52] U.S. Cl. **D6/361; D6/358**

[58] Field of Search D6/334, 335, 336, D6/345, 351, 358, 361, 368, 500, 501, 502; 297/181

FIG. 3 is a plan view of the lounge chair shown in FIG. 1 at an increased scale;

[56] References Cited

FIG. 4 is a side elevational view of the lounge chair shown in FIG. 1, at an increased scale, the opposite side being a mirror image thereof;

U.S. PATENT DOCUMENTS

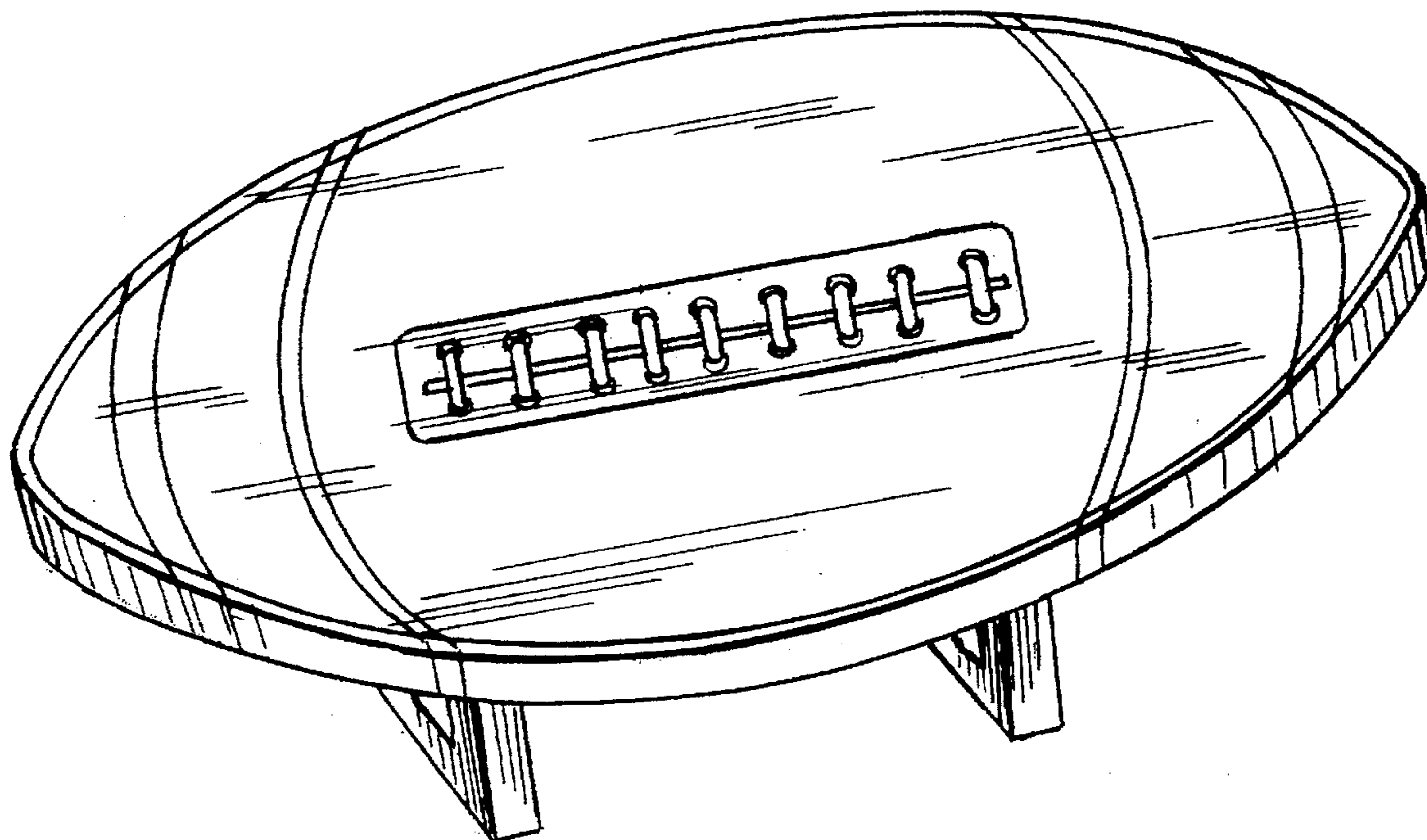
- D. 154,031 6/1949 Eisendrath D6/361
- D. 226,153 1/1973 Boak D6/361
- D. 252,602 8/1979 Cirrone D6/358
- D. 334,486 4/1993 Brown et al. D6/361

FIG. 5 is an end elevational view of the lounge chair shown in FIG. 1 at an increased scale, the opposite end being a mirror image thereof; and,

FIG. 6 is a bottom view at an increased scale of the lounge chair shown in FIG. 1.

Primary Examiner—Gary D. Watson

1 Claim, 2 Drawing Sheets



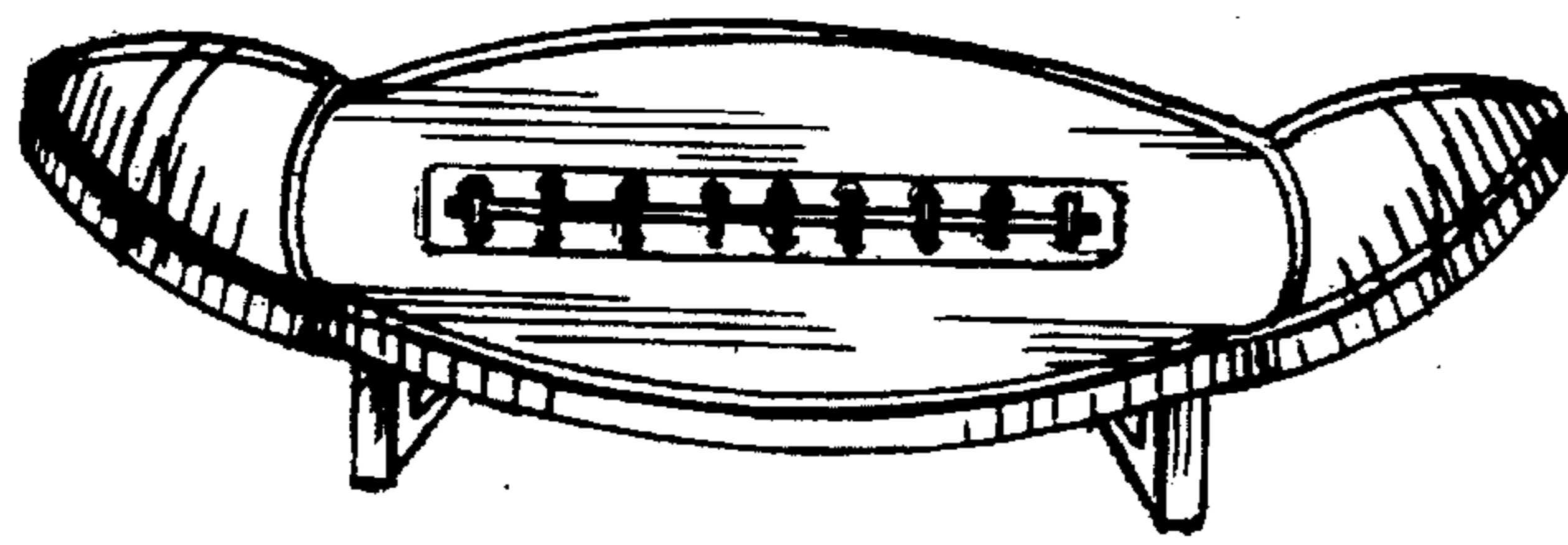


FIG. 1

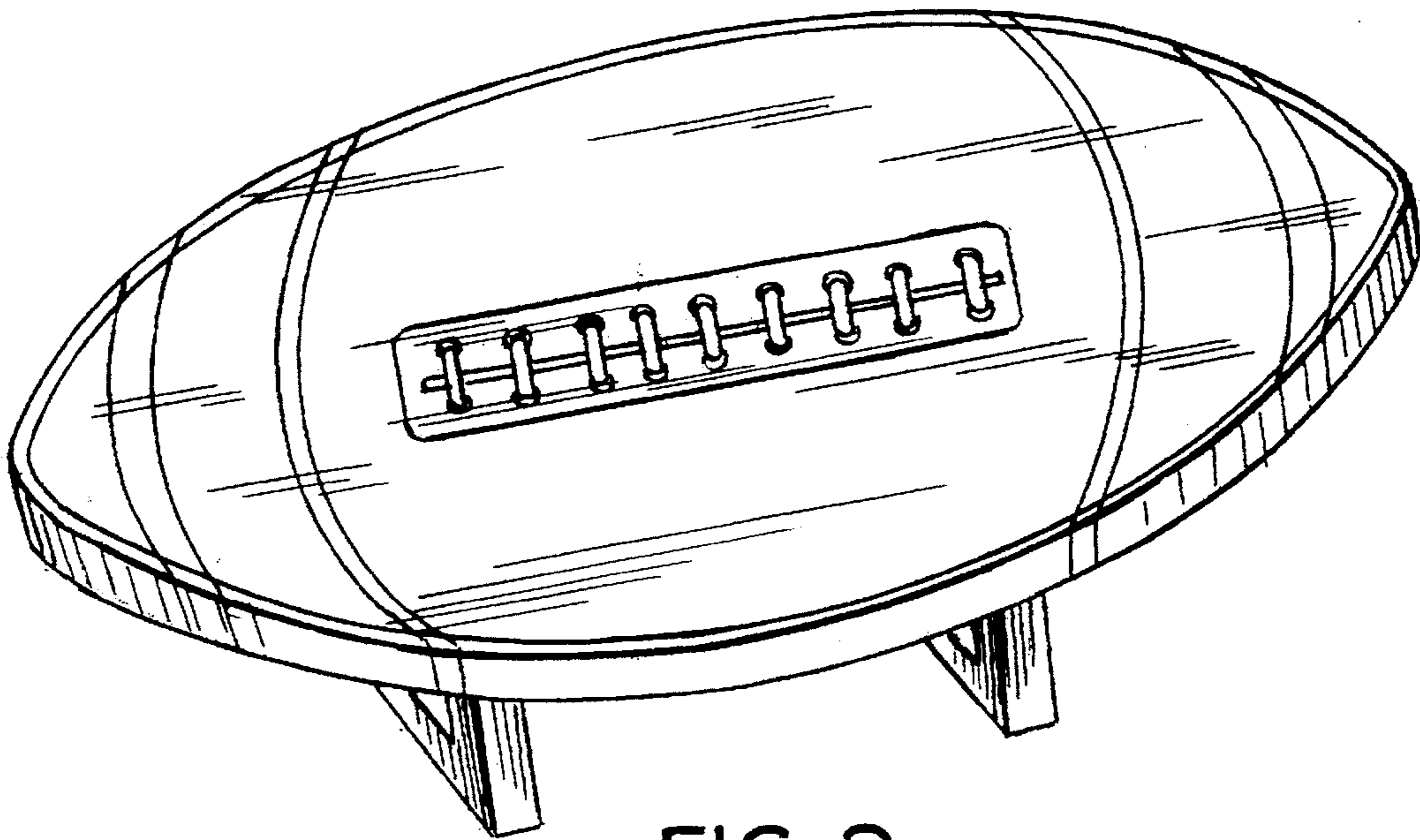


FIG. 2

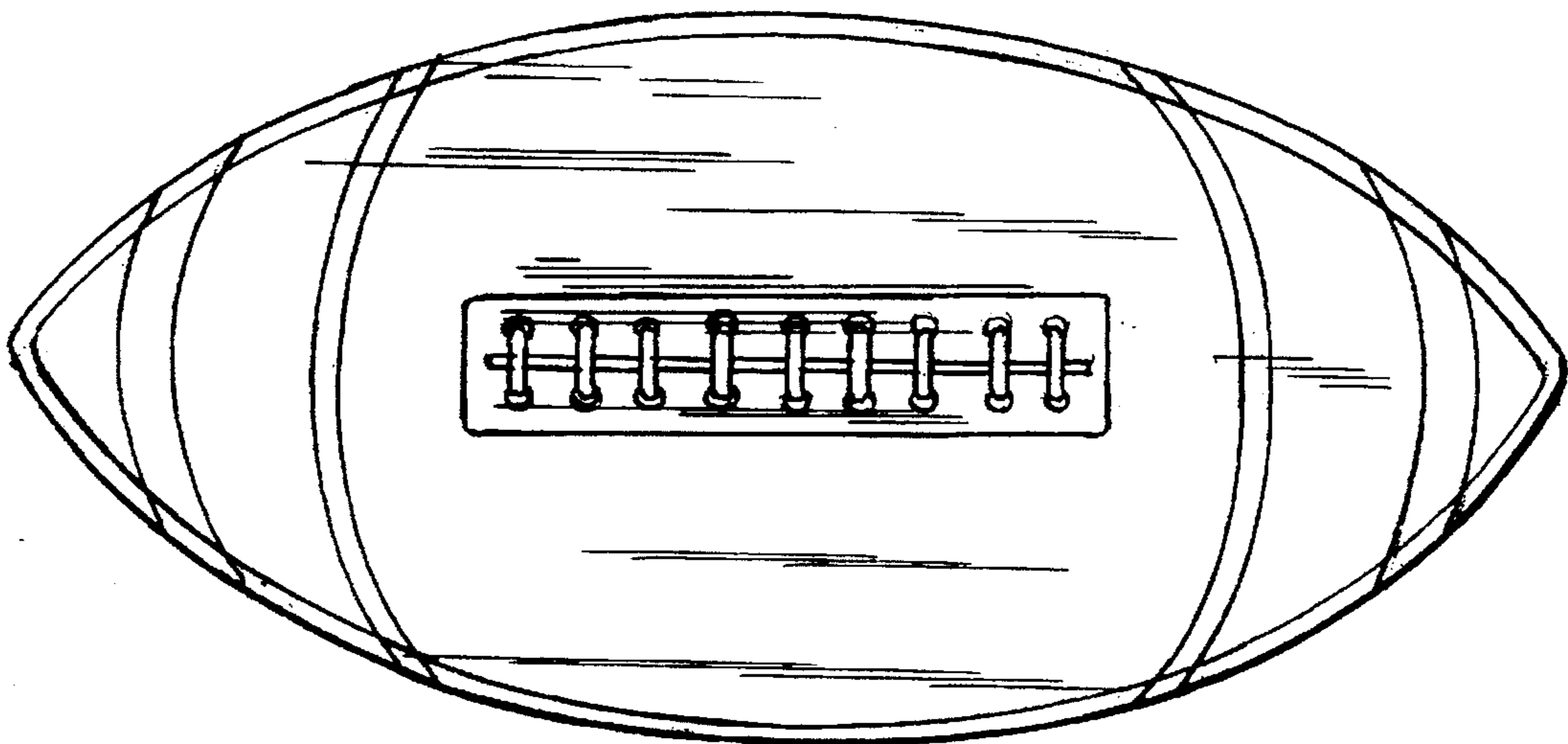


FIG. 3

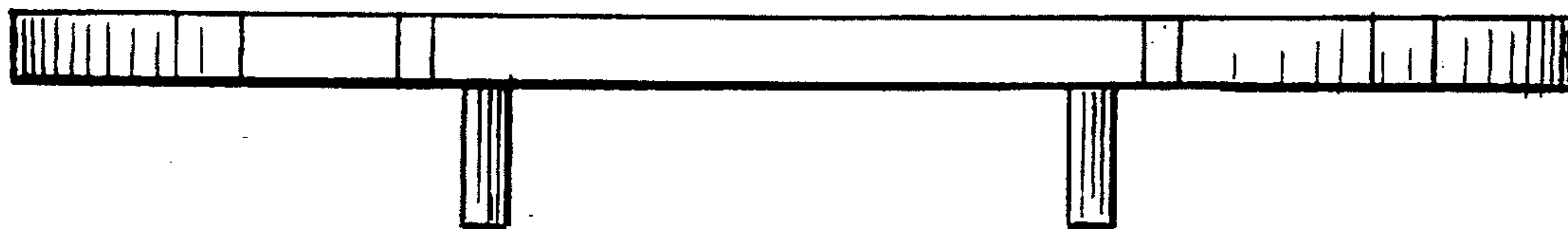


FIG. 4

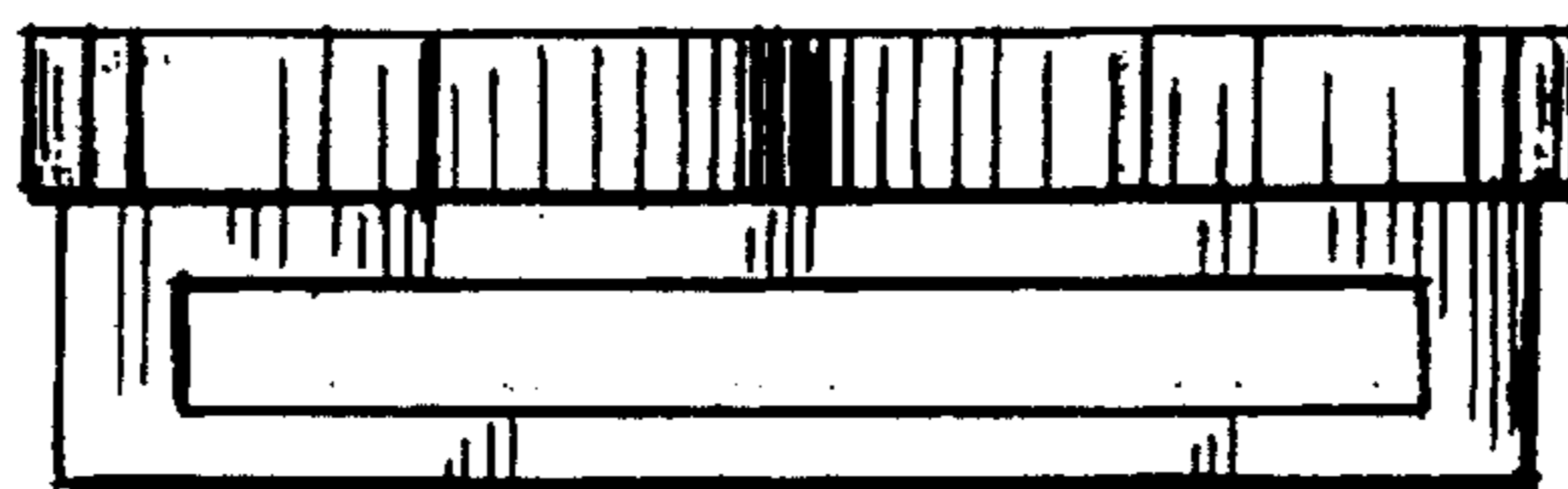


FIG. 5

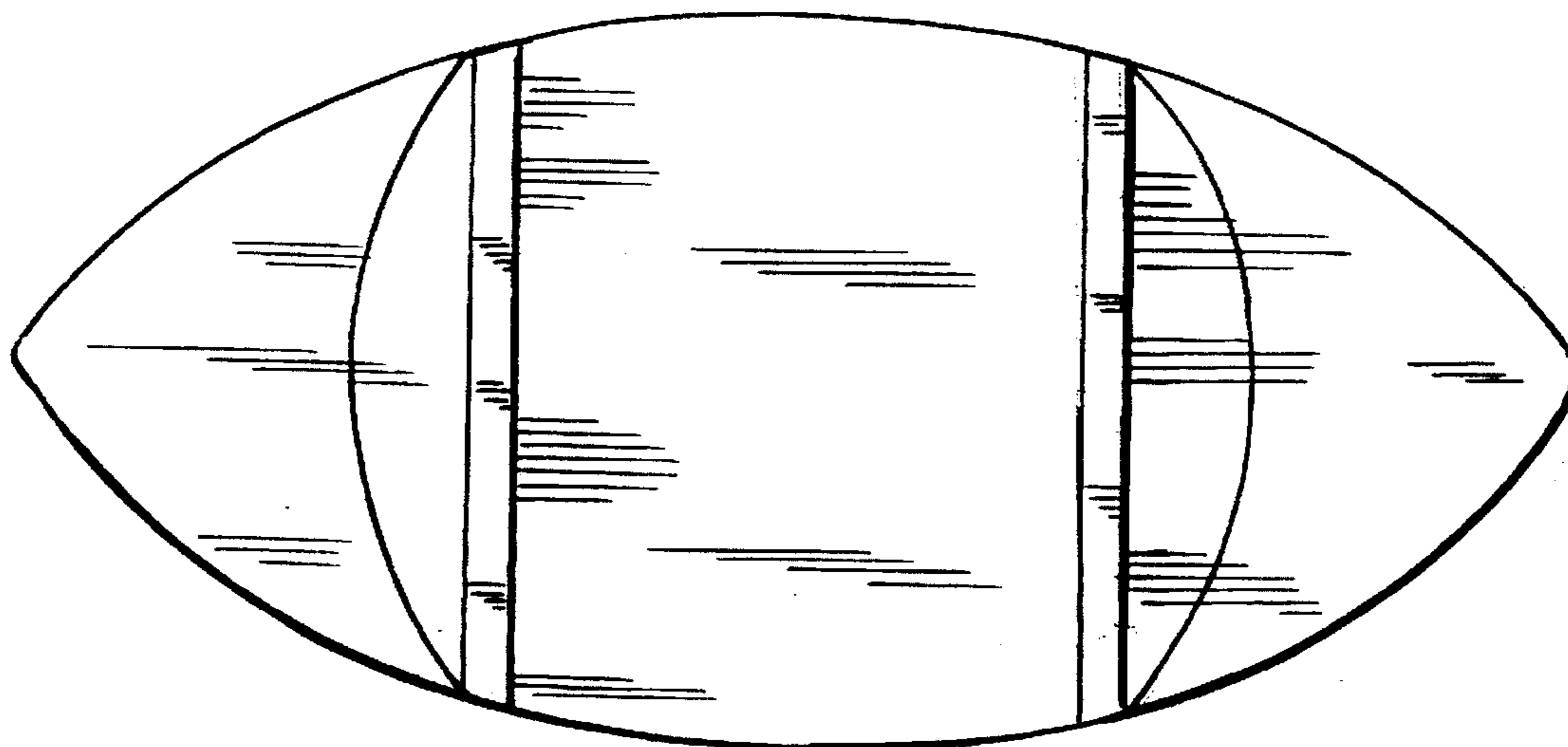


FIG. 6