



US00D382403S

United States Patent [19]
Koskinen

[11] **Patent Number: Des. 382,403**

[45] **Date of Patent: **Aug. 19, 1997**

[54] **TRANSPORT CONTAINER**

D. 366,363 1/1996 Berggren D3/314
4,848,580 7/1989 Wise 206/519

[75] Inventor: **Kaj Koskinen**, Rydebäck, Sweden

[73] Assignee: **Perstorp AB**, Perstorp, Sweden

[**] Term: **14 Years**

Primary Examiner—Sandra L. Morris
Assistant Examiner—Richelle Shelton
Attorney, Agent, or Firm—Watson Cole Stevens Davis,
P.L.L.C.

[21] Appl. No.: **43,601**

[22] Filed: **Sep. 5, 1995**

[57] **CLAIM**

The ornamental design for a transport container, as shown and described.

[30] **Foreign Application Priority Data**

Mar. 3, 1995 [SE] Sweden 950452

DESCRIPTION

[51] **LOC (6) Cl.** **03-01**

[52] **U.S. Cl.** **D3/307; D9/425**

[58] **Field of Search** D3/304, 307-314;
D9/424, 425; 206/503-507, 509, 510, 515,
518, 519; 220/1.5, 669, DIG. 12, 674, 675

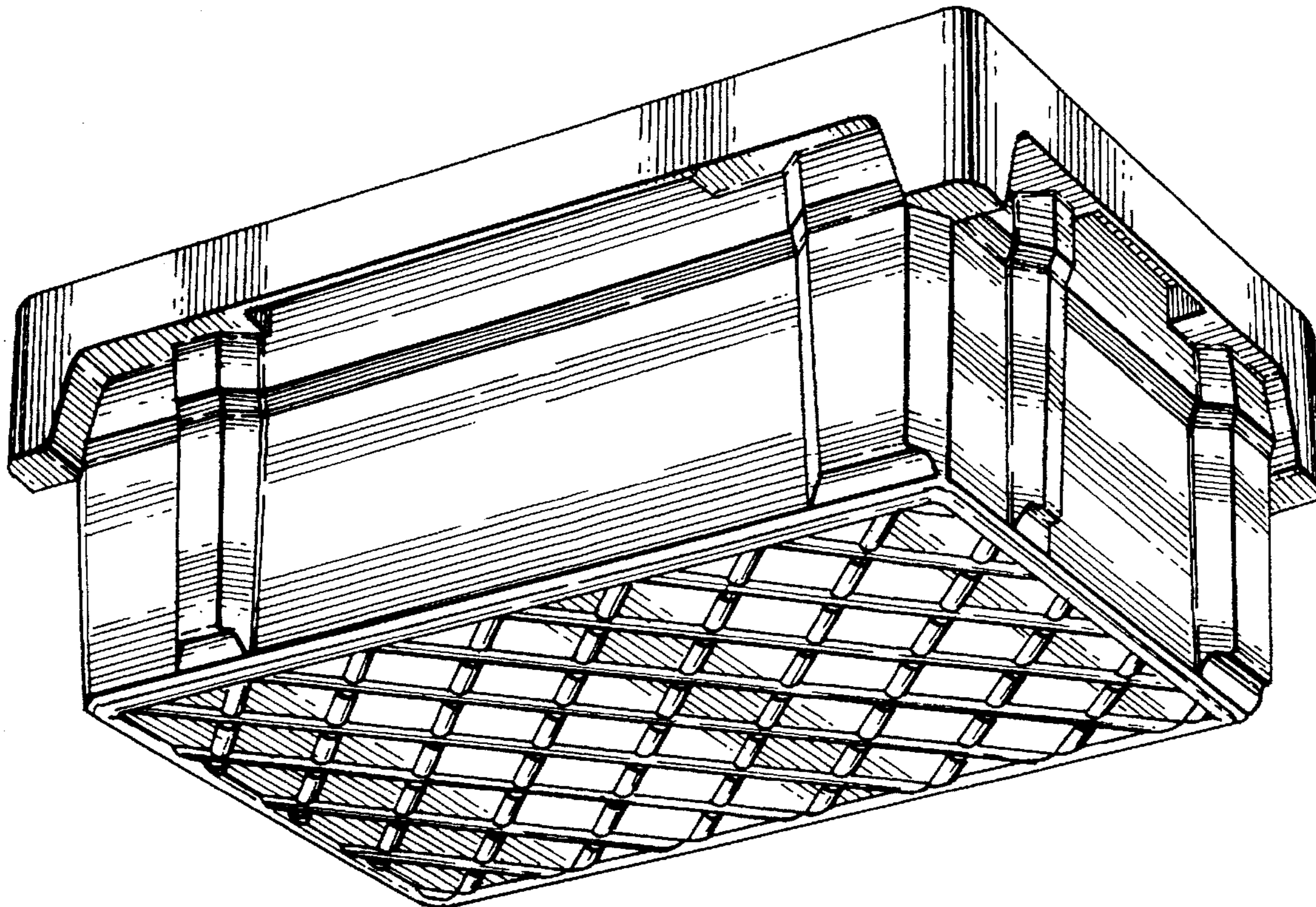
FIG. 1 is a perspective view of my new design for a transport container showing the open top, the front edge and left side; the view from the opposite side is a mirror image thereof; FIG. 2 is a perspective view similar to FIG. 1 showing the open top and the right side thereof; the view from the opposite side is a mirror image thereof; FIG. 3 is a perspective view showing the underside, the back edge and the right side; the view from the opposite side is a mirror image thereof; and, FIG. 4 is a top view thereof.

[56] **References Cited**

U.S. PATENT DOCUMENTS

D. 246,872 1/1978 White D3/304
D. 316,171 4/1991 Chatham et al. D3/304

1 Claim, 2 Drawing Sheets



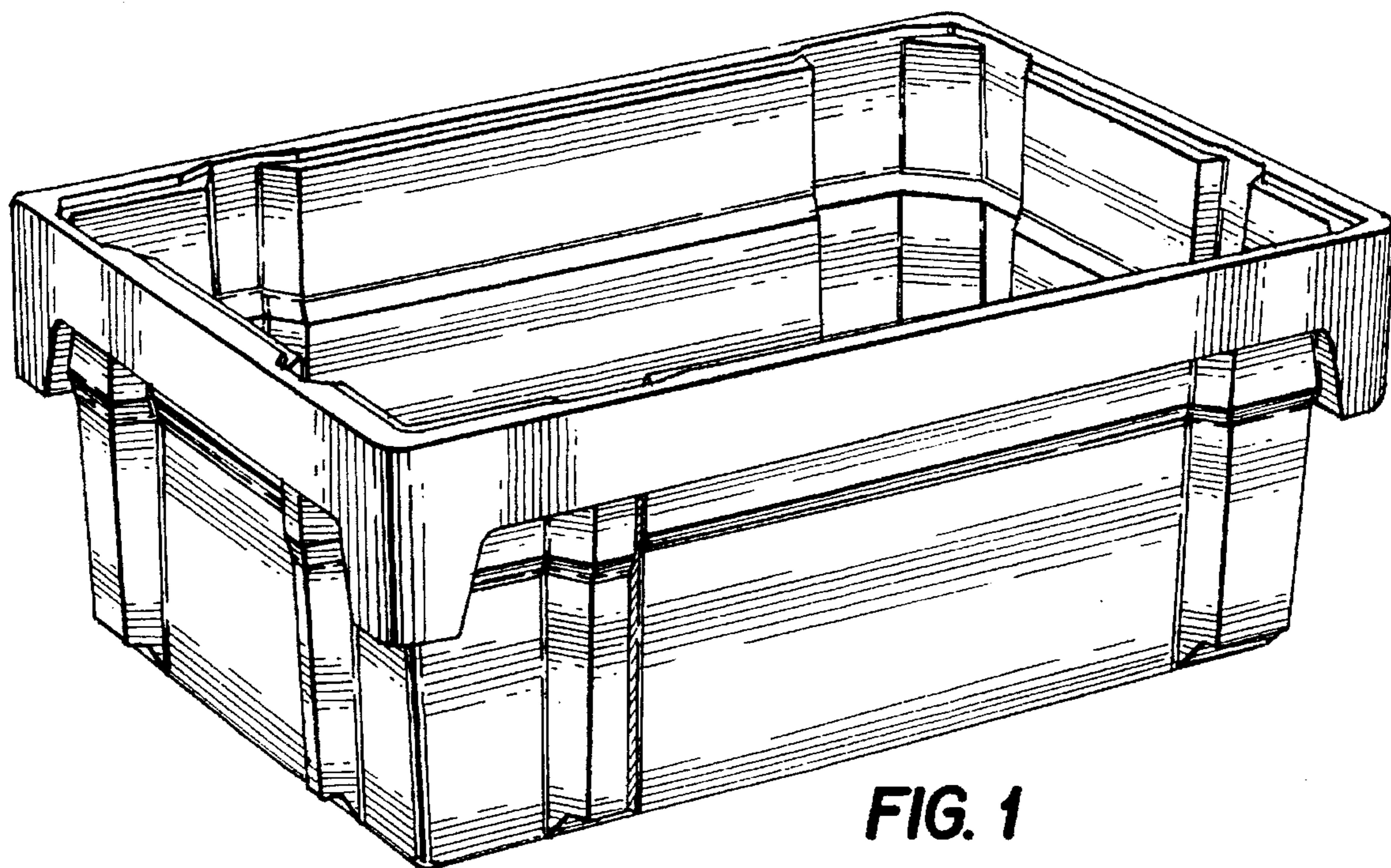


FIG. 1

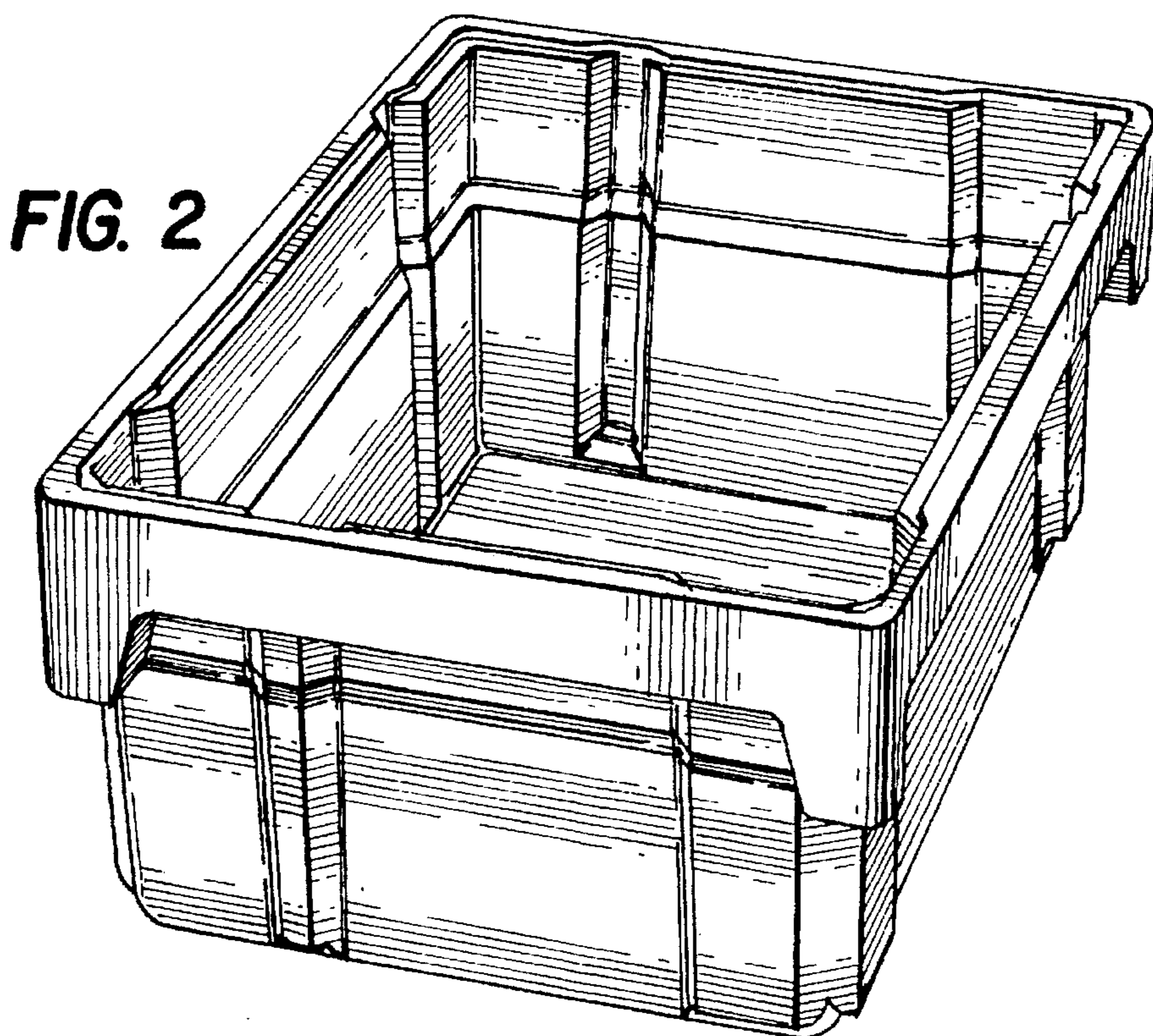


FIG. 2

FIG. 3

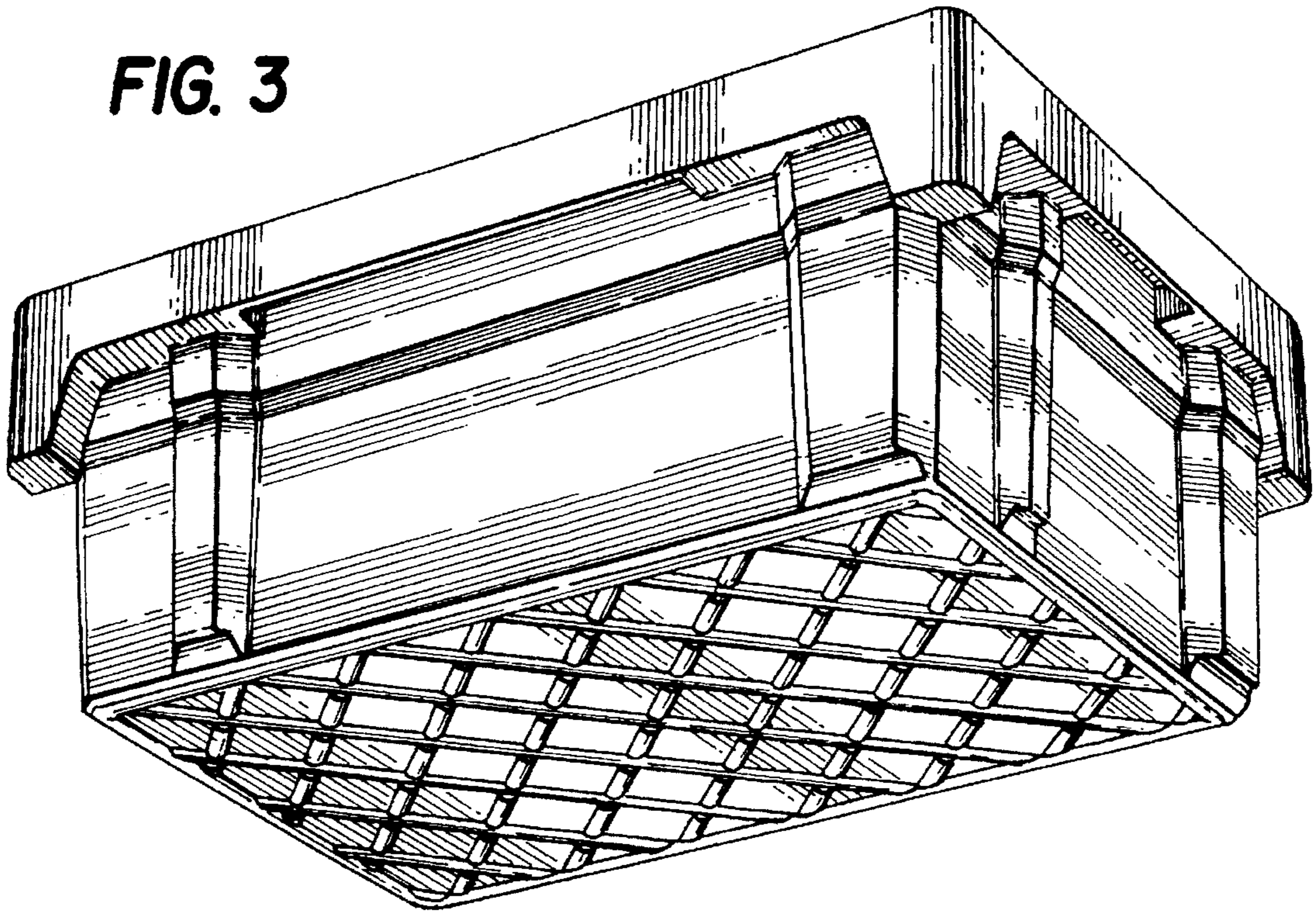


FIG. 4

